



US00D846478S

(12) **United States Design Patent**  
**Kovacs**

(10) **Patent No.:** **US D846,478 S**

(45) **Date of Patent:** **\*\* Apr. 23, 2019**

(54) **AUTOMOTIVE WHEEL**

(71) Applicant: **Myles Kovacs**, Santa Fe Springs, CA  
(US)

(72) Inventor: **Myles Kovacs**, Santa Fe Springs, CA  
(US)

(\*\*) Term: **15 Years**

(21) Appl. No.: **29/648,433**

(22) Filed: **May 21, 2018**

(51) **LOC (11) Cl.** ..... **12-16**

(52) **U.S. Cl.**  
USPC ..... **D12/209**

(58) **Field of Classification Search**  
USPC ..... D12/204–213  
See application file for complete search history.

(56) **References Cited**

**U.S. PATENT DOCUMENTS**

D675,971 S \* 2/2013 Lee ..... D12/209  
D719,893 S 12/2014 Kim  
D748,553 S 2/2016 Miyazawa

D766,803 S \* 9/2016 Giolito ..... D12/209  
D781,764 S 3/2017 Zhao  
D789,270 S \* 6/2017 Hodges ..... D12/209  
D791,675 S \* 7/2017 Guo ..... D12/211  
D831,558 S \* 10/2018 Starr, Jr. .... D12/209  
D833,943 S \* 11/2018 Chung ..... D12/209  
D837,709 S \* 1/2019 Chung ..... D12/209  
D838,644 S \* 1/2019 Chung ..... D12/209  
D838,647 S \* 1/2019 Han ..... D12/209

\* cited by examiner

*Primary Examiner* — Stacia A Cadmus

(74) *Attorney, Agent, or Firm* — Kenneth L. Green;  
Averill & Green

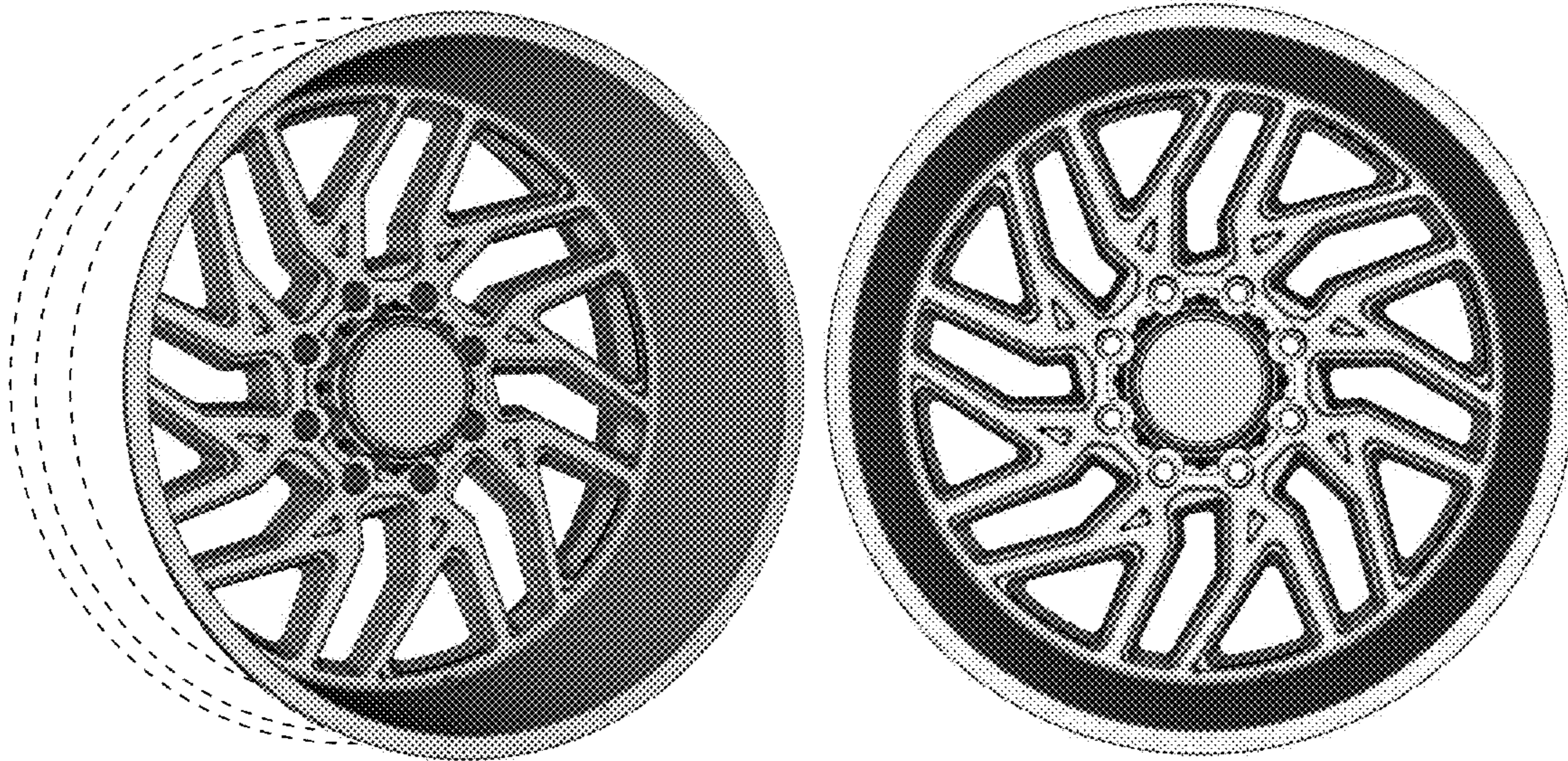
(57) **CLAIM**

The ornamental design for a, automotive wheel, as shown and described.

**DESCRIPTION**

FIG. 1 is a perspective view of the automotive wheel showing my new design; and, FIG. 2 is a front elevation view thereof. The broken line showing a rear portion of the wheel is included for the purpose of illustrating the environment and forms no part of the claimed design.

**1 Claim, 1 Drawing Sheet**





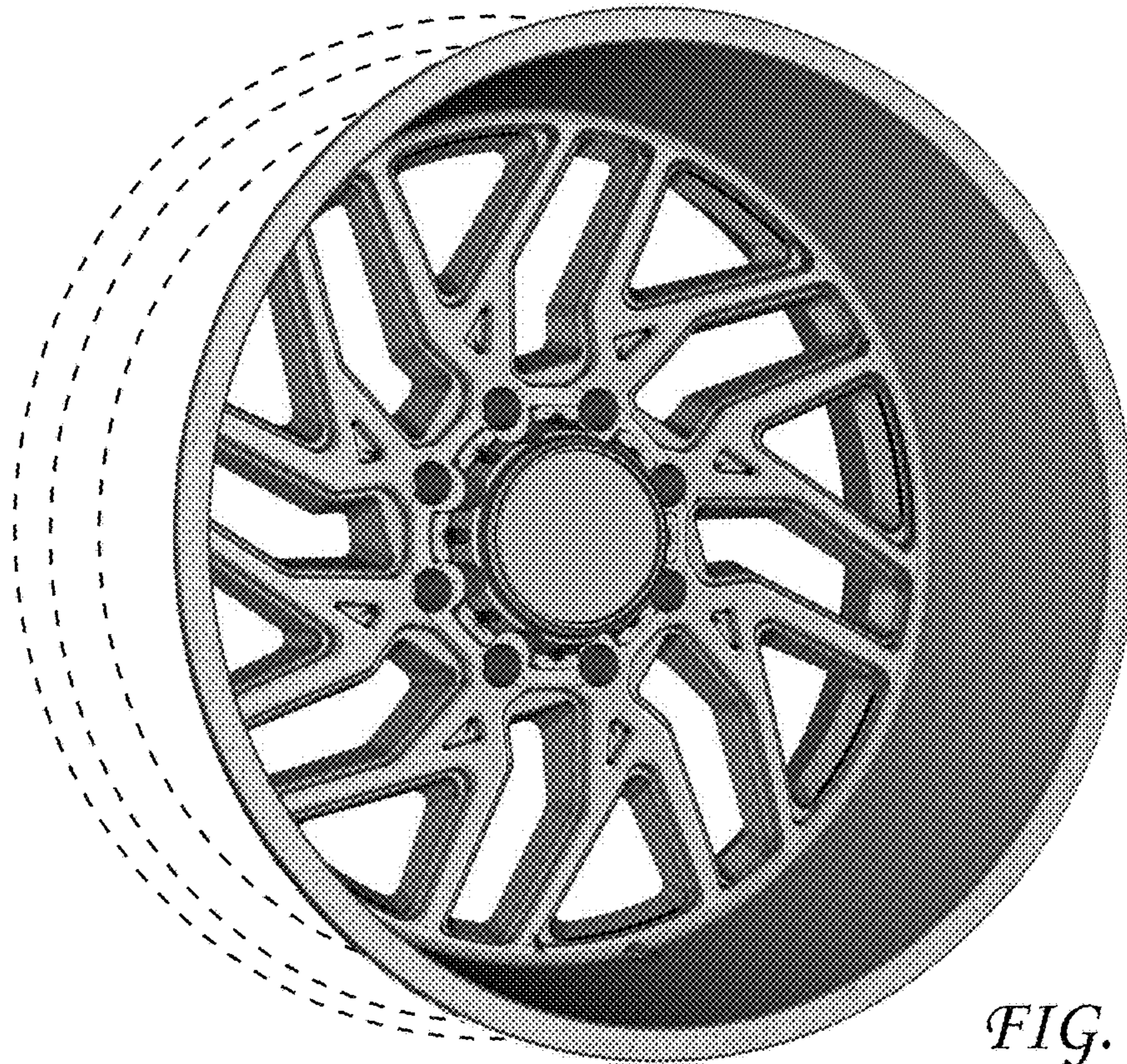


FIG. 1

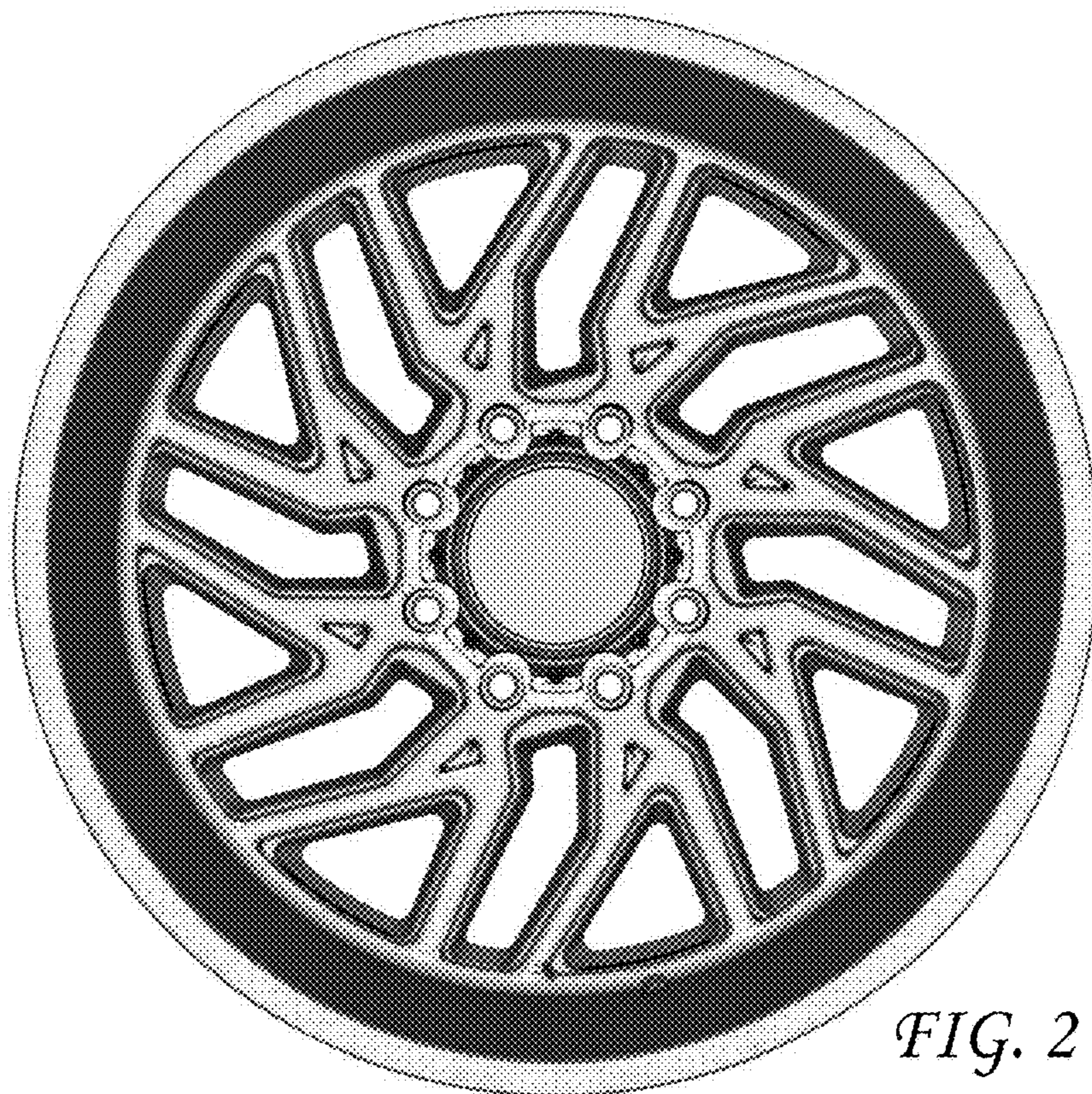


FIG. 2