



US00D846477S

(12) **United States Design Patent**  
**Bucher et al.**

(10) **Patent No.:** **US D846,477 S**

(45) **Date of Patent:** **\*\* Apr. 23, 2019**

(54) **VEHICLE WHEEL**

(71) Applicant: **Ford Global Technologies, LLC**,  
Dearborn, MI (US)

(72) Inventors: **George Bucher**, Dearborn, MI (US);  
**Craig S. Metros**, Bloomfield, MI (US);  
**Dean Carbis**, Bloomfield Hills, MI  
(US); **Steven Gilmore**, Farmington  
Hills, MI (US); **Shawn Sung Yu**,  
Canton, MI (US)

(73) Assignee: **Ford Global Technologies, LLC**,  
Dearborn, MI (US)

(\*\*) Term: **15 Years**

(21) Appl. No.: **29/632,046**

(22) Filed: **Jan. 4, 2018**

(51) **LOC (11) Cl.** ..... **12-16**

(52) **U.S. Cl.**  
USPC ..... **D12/209**

(58) **Field of Classification Search**  
USPC ..... D12/204–213; D21/533, 551, 563  
See application file for complete search history.

(56) **References Cited**

U.S. PATENT DOCUMENTS

D330,186 S	*	10/1992	May	.....	D12/133
D330,360 S	*	10/1992	May	.....	D12/133
D408,003 S	*	4/1999	Sacco	.....	D12/209
D472,509 S	*	4/2003	Laengerer	.....	D12/209
D504,096 S	*	4/2005	Nakagawa	.....	D12/209
D524,710 S	*	7/2006	Long	.....	D12/209
D654,842 S	*	2/2012	Blasi	.....	D12/209
D671,478 S	*	11/2012	Baum	.....	D12/209

D685,710 S	*	7/2013	Hanaoka	.....	D12/204
D686,133 S	*	7/2013	Juergens	.....	D12/209
D695,184 S	*	12/2013	Pollmann	.....	D12/209
D705,714 S	*	5/2014	Hanaoka	.....	D12/209
D734,235 S	*	7/2015	Juergens	.....	D12/209
D740,191 S	*	10/2015	Webber	.....	D12/209
D752,499 S	*	3/2016	Sze	.....	D12/211
D759,566 S	*	6/2016	Valencia Pollex	.....	D12/211
D763,159 S	*	8/2016	Valencia Pollex	.....	D12/209
D768,553 S	*	10/2016	Ishii	.....	D12/209
D769,165 S	*	10/2016	Choi	.....	D12/209
D788,674 S	*	6/2017	Mielke	.....	D12/209
D791,046 S	*	7/2017	Ishii	.....	D12/209
D797,024 S	*	9/2017	Ariga	.....	D12/209
D798,786 S	*	10/2017	Chung	.....	D12/209
D803,131 S	*	11/2017	Bridan	.....	D12/209
D818,926 S	*	5/2018	Miyazawa	.....	D12/209
D827,545 S	*	9/2018	Kawaguchi	.....	D12/209
D828,266 S	*	9/2018	Garcia	.....	D12/209

\* cited by examiner

*Primary Examiner* — Sheryl Lane

(74) *Attorney, Agent, or Firm* — Vichit Chea

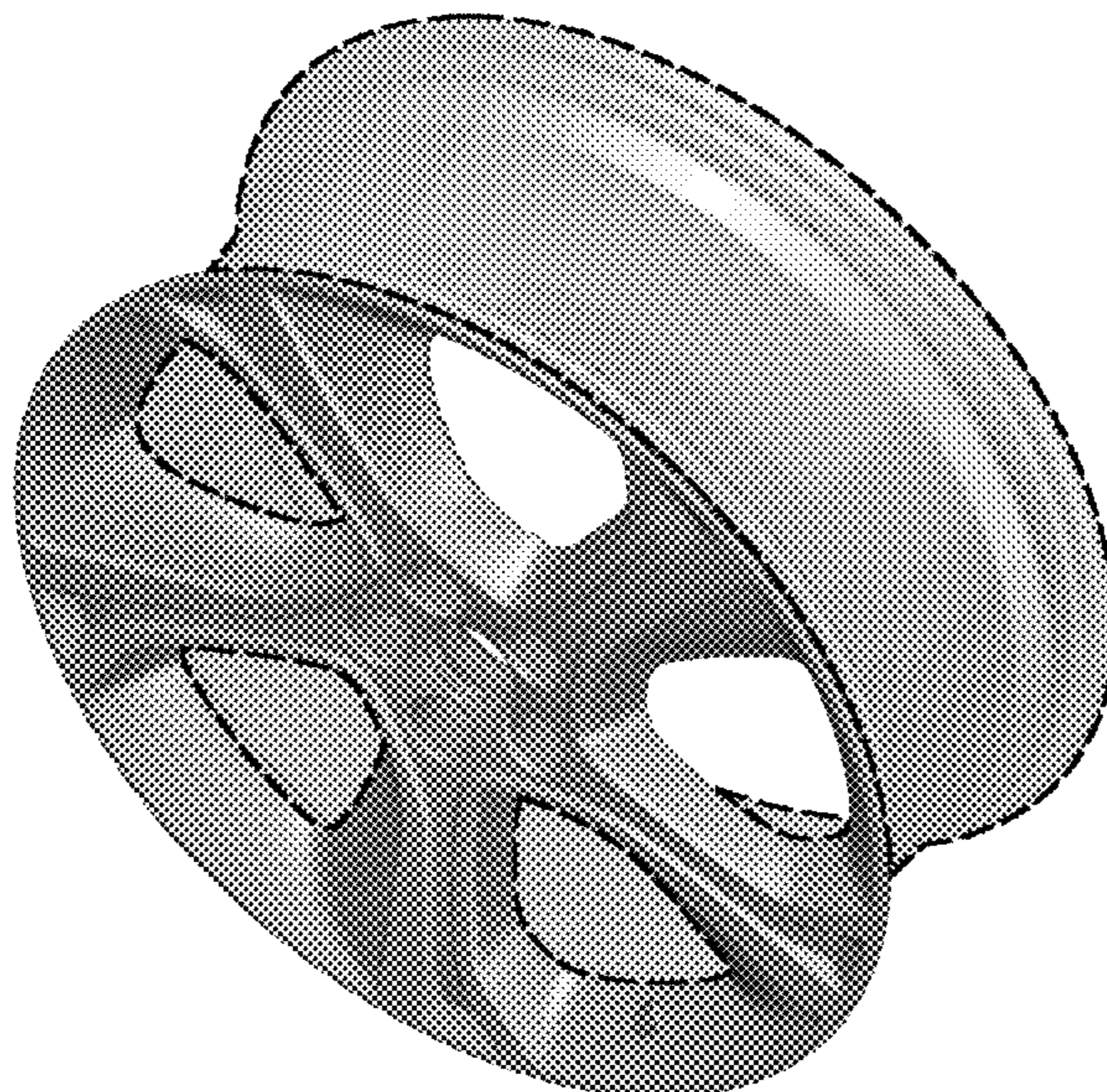
(57) **CLAIM**

The ornamental design for a vehicle wheel, as shown and described.

**DESCRIPTION**

FIG. 1 is a front elevational view of a vehicle wheel showing our new design;  
FIG. 2 is a cross sectional side view thereof, taken along line 2-2 in FIG. 1; and,  
FIG. 3 is a side perspective view of a front face thereof.  
Any broken lines represent an internal boundary of the design; the line itself and the area within form no part of the claim.

**1 Claim, 3 Drawing Sheets**



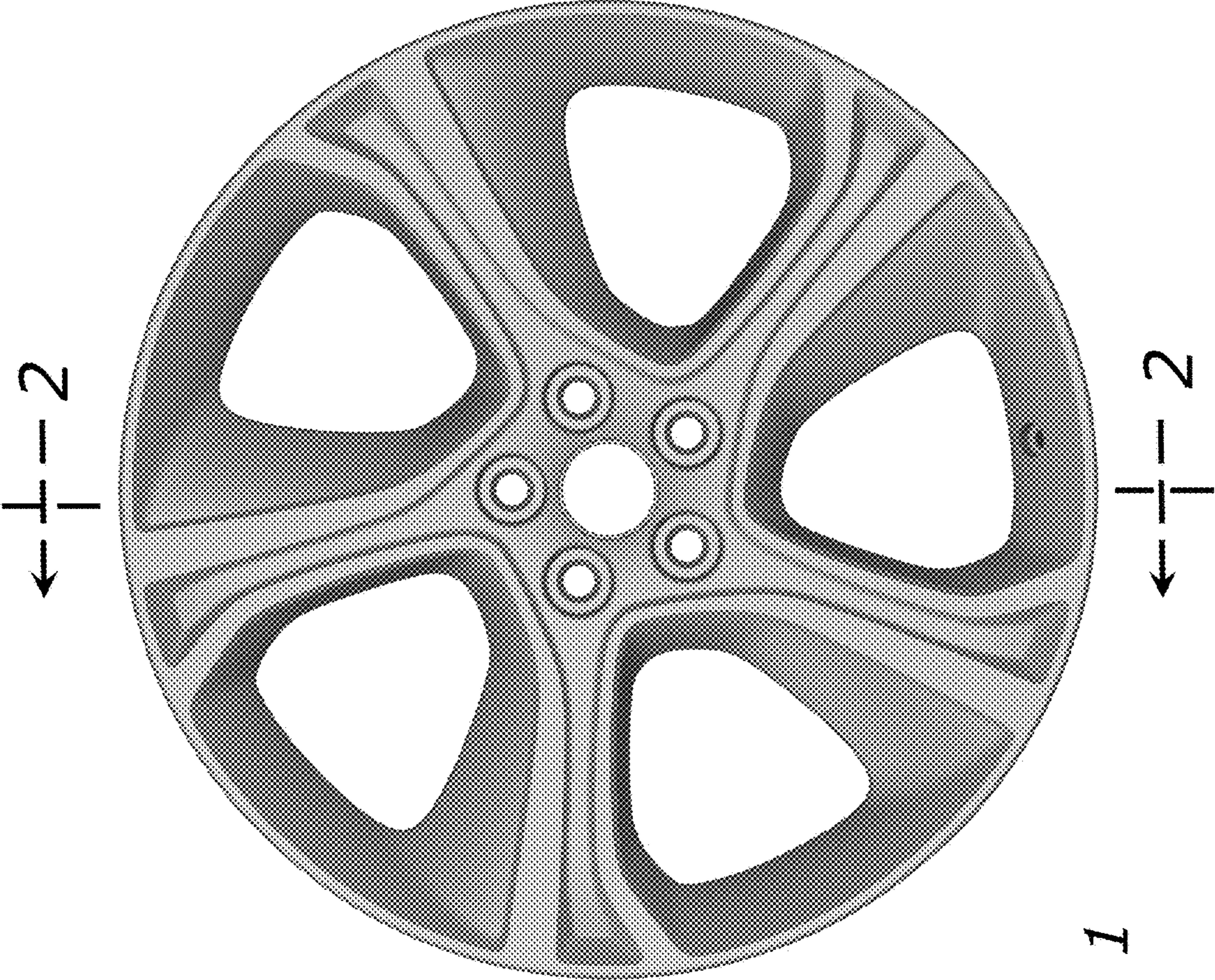


Fig. 1

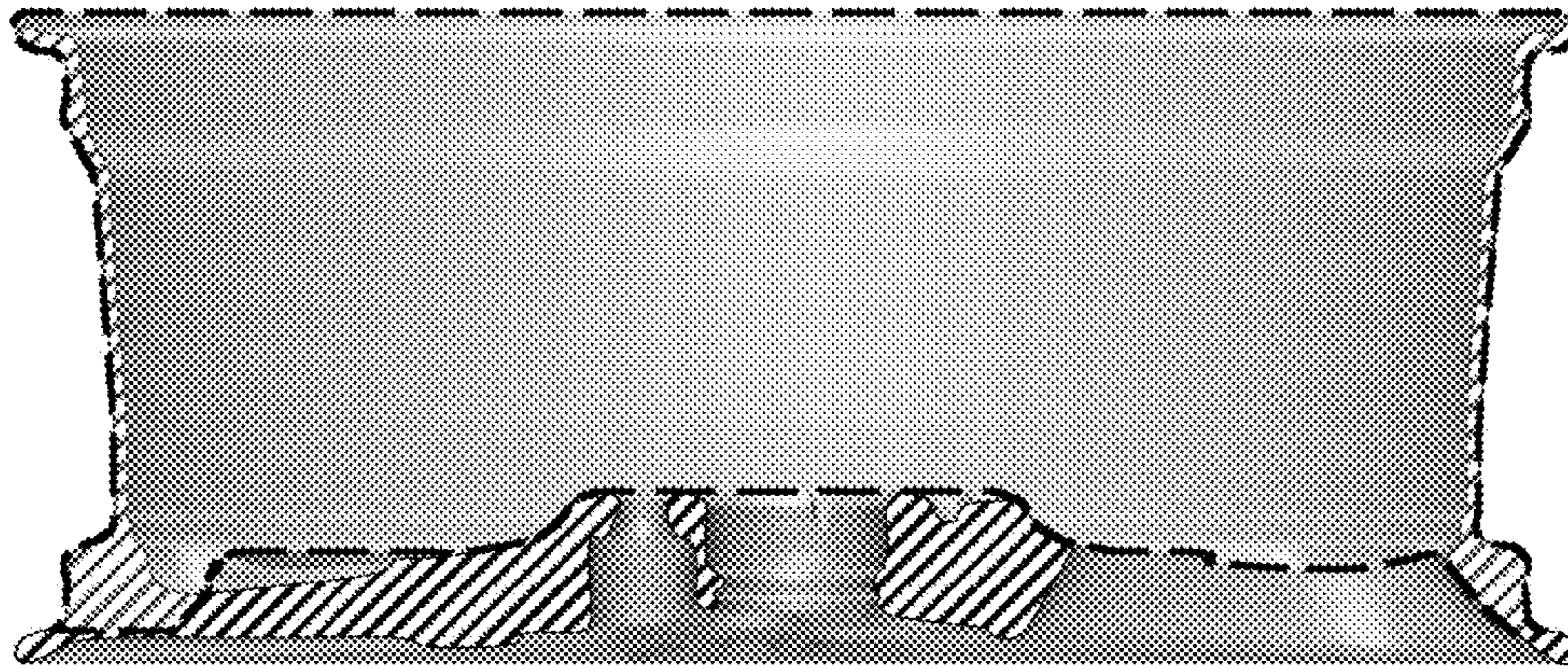


Fig. 2

Fig. 3

