



US00D846473S

(12) **United States Design Patent**  
**Woodhouse et al.**

(10) **Patent No.:** **US D846,473 S**

(45) **Date of Patent:** **\*\* Apr. 23, 2019**

(54) **VEHICLE WHEEL**

(71) Applicant: **Ford Global Technologies, LLC**,  
Dearborn, MI (US)

(72) Inventors: **David Woodhouse**, Troy, MI (US);  
**Earl C. Lucas**, Southfield, MI (US);  
**Solomon H. Song**, Farmington Hills,  
MI (US); **Viet Nguyen**, Madison  
Heights, MI (US)

(73) Assignee: **Ford Global Technologies, LLC**,  
Dearborn, MI (US)

(\*\*) Term: **15 Years**

(21) Appl. No.: **29/624,241**

(22) Filed: **Oct. 31, 2017**

(51) **LOC (11) Cl.** ..... **12-16**

(52) **U.S. Cl.**  
USPC ..... **D12/209**

(58) **Field of Classification Search**  
USPC ..... D12/204–213; D21/533, 561, 563  
CPC .... B60B 7/00; B60B 7/02; B60B 7/04; B60B  
7/06; B60B 3/02; B60B 3/04; B60B 3/06;  
B60B 3/10; B60B 1/00; B60B 1/08;  
B60B 1/10; B60B 1/12

See application file for complete search history.

(56) **References Cited**

U.S. PATENT DOCUMENTS

D764,999 S *	8/2016	Song .....	D12/209
D795,151 S *	8/2017	Valencia Pollex .....	D12/209
D798,213 S *	9/2017	Valencia Pollex .....	D12/209
D803,754 S *	11/2017	Chung .....	D12/211
D804,391 S *	12/2017	Ishii .....	D12/209
D818,411 S *	5/2018	Kawaguchi .....	D12/209
D826,820 S *	8/2018	Bucher .....	D12/209
D826,822 S *	8/2018	Woodhouse .....	D12/209
D827,543 S *	9/2018	Woodhouse .....	D12/209
D833,951 S *	11/2018	Wheel .....	D12/211

\* cited by examiner

*Primary Examiner* — Sheryl Lane

*Assistant Examiner* — Calvin E Vansant

(74) *Attorney, Agent, or Firm* — Vichit Chea

(57) **CLAIM**

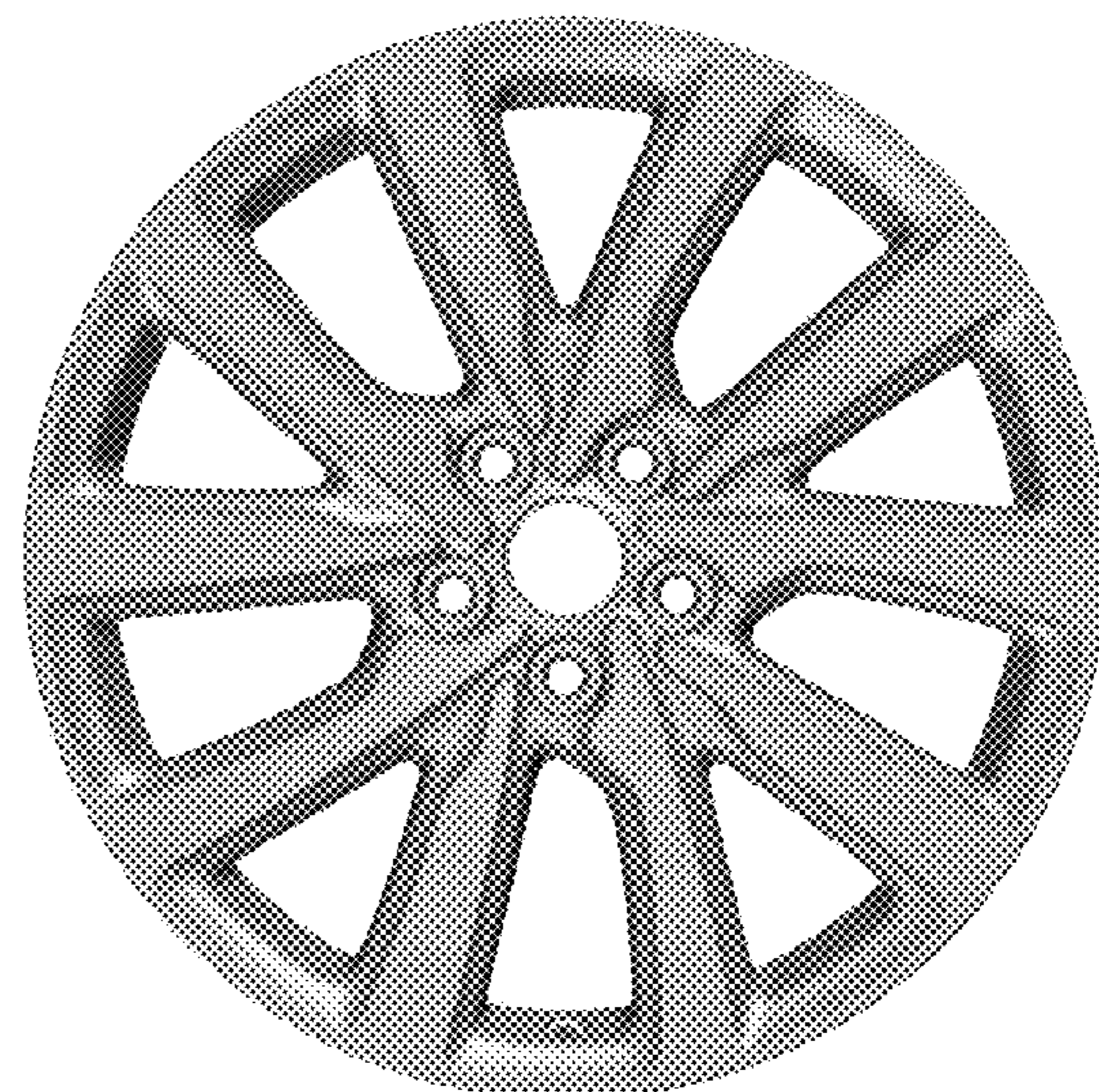
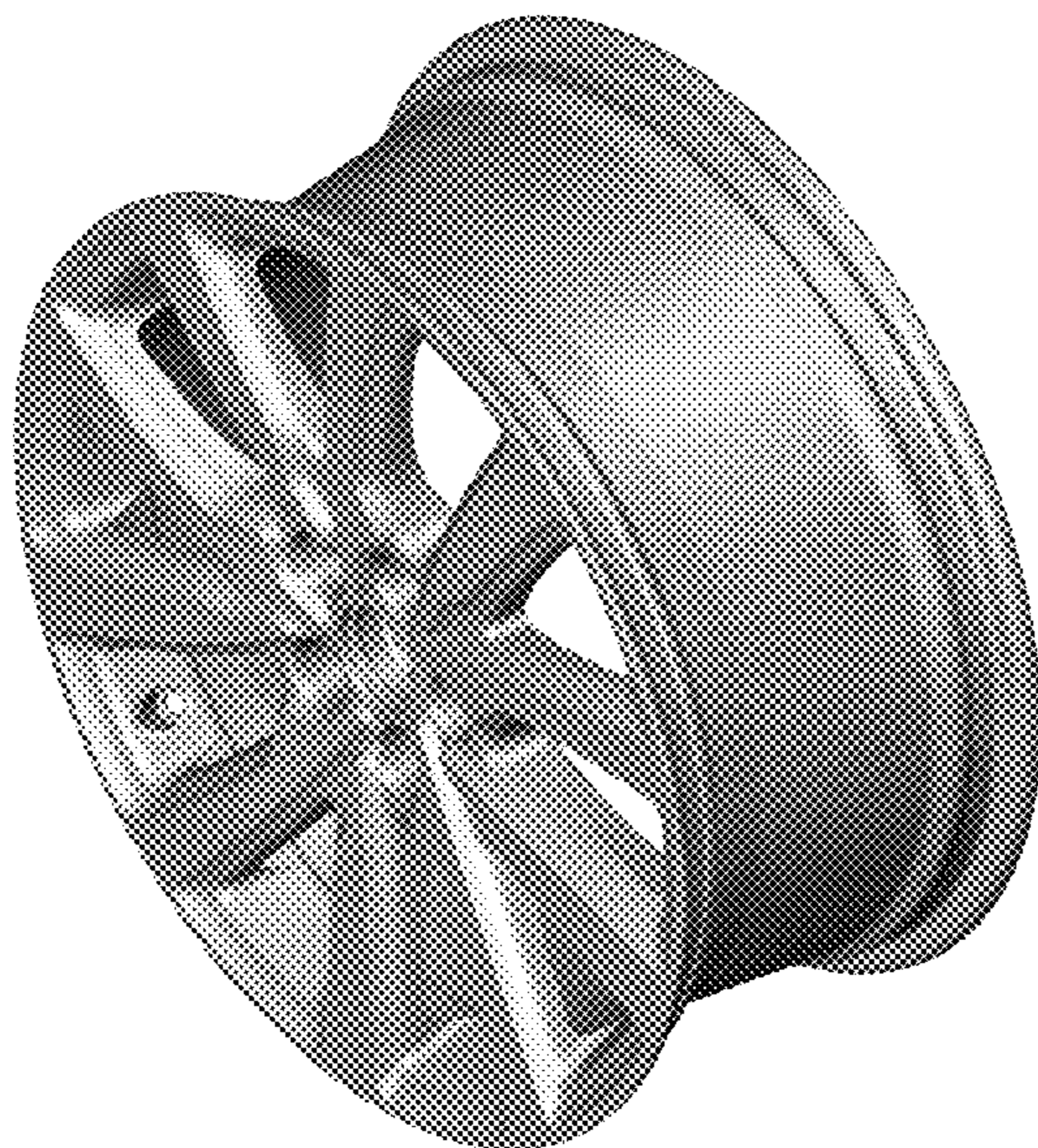
The ornamental design for a vehicle wheel, as shown and described.

**DESCRIPTION**

FIG. 1 is a top perspective view of a vehicle wheel showing our new design; and,

FIG. 2 is a front elevational view thereof.

**1 Claim, 2 Drawing Sheets**





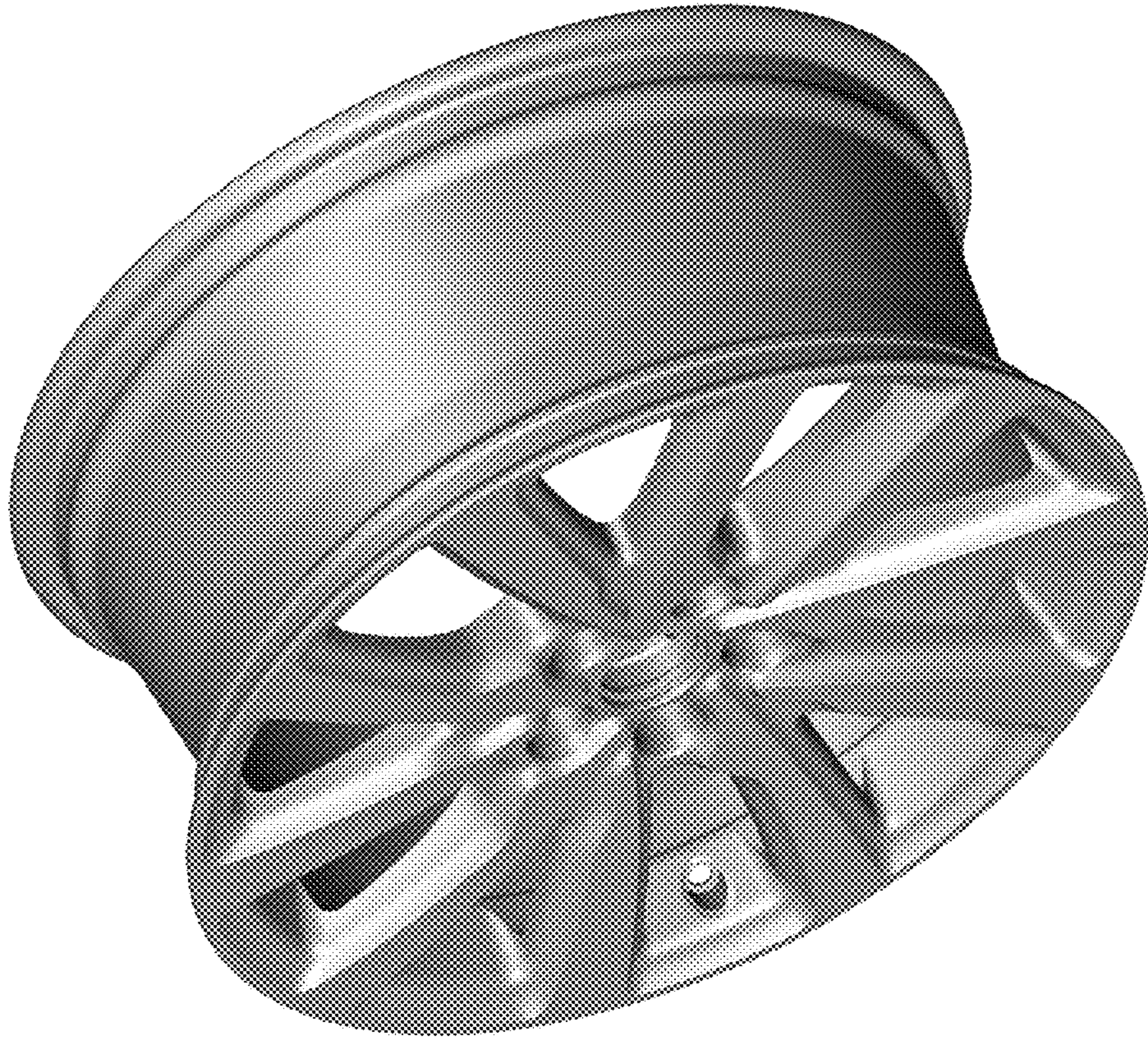


Figure 1





Figure 2