



US00D846469S

(12) **United States Design Patent**
Guo

(10) **Patent No.:** **US D846,469 S**

(45) **Date of Patent:** **** Apr. 23, 2019**

(54) **AUTOMOBILE STEPPING BAR WITH
ROUNDED ENDS**

(71) Applicant: **Fu Guo**, Vancouver (CA)

(72) Inventor: **Yonghui Guo**, Taiyuan (CN)

(**) Term: **15 Years**

(21) Appl. No.: **29/596,657**

(22) Filed: **Mar. 9, 2017**

(51) **LOC (11) Cl.** **12-16**

(52) **U.S. Cl.**
USPC **D12/203**

(58) **Field of Classification Search**
USPC D12/203, 89, 98, 314, 162, 190, 196,
D12/106, 167, 414

CPC .. B60R 3/002; B60R 3/02; B60R 3/00; B60R
3/005; B60R 3/007

See application file for complete search history.

(56) **References Cited**

U.S. PATENT DOCUMENTS

D330,536 S	*	10/1992	Holloway	D12/203
D349,678 S	*	8/1994	Waddington	D12/203
D351,128 S	*	10/1994	Waddington	D12/203
D395,268 S	*	6/1998	Tucker	D12/203
D434,711 S	*	12/2000	McQuiston	D12/203
D436,336 S	*	1/2001	Sadr	D12/203

(Continued)

Primary Examiner — Michelle E. Wilson

Assistant Examiner — Clese Moore, Jr.

(57) **CLAIM**

The ornamental design for an automobile stepping bar with rounded ends, as shown and described.

DESCRIPTION

FIG. 1 is a perspective view of an automobile stepping bar with rounded ends showing the new design;

FIG. 2 is an enlarged left side view thereof;
FIG. 3 is an enlarged right side view thereof;
FIG. 4 is a top plan view thereof;
FIG. 5 is a front elevation view thereof;
FIG. 6 is a bottom plan view thereof; and
FIG. 7 is a rear elevation view thereof.

FIG. 8 is a perspective view of an embodiment of an automobile stepping bar with rounded ends showing the new design;

FIG. 9 is an enlarged left side view thereof;
FIG. 10 is an enlarged right side view thereof;
FIG. 11 is a top plan view thereof;
FIG. 12 is a front elevation view thereof;
FIG. 13 is a bottom plan view thereof; and
FIG. 14 is a rear elevation view thereof.

FIG. 15 is a perspective view of an automobile stepping bar with rounded ends showing the new design wherein the longitudinal length of the automobile stepping bar is variable;

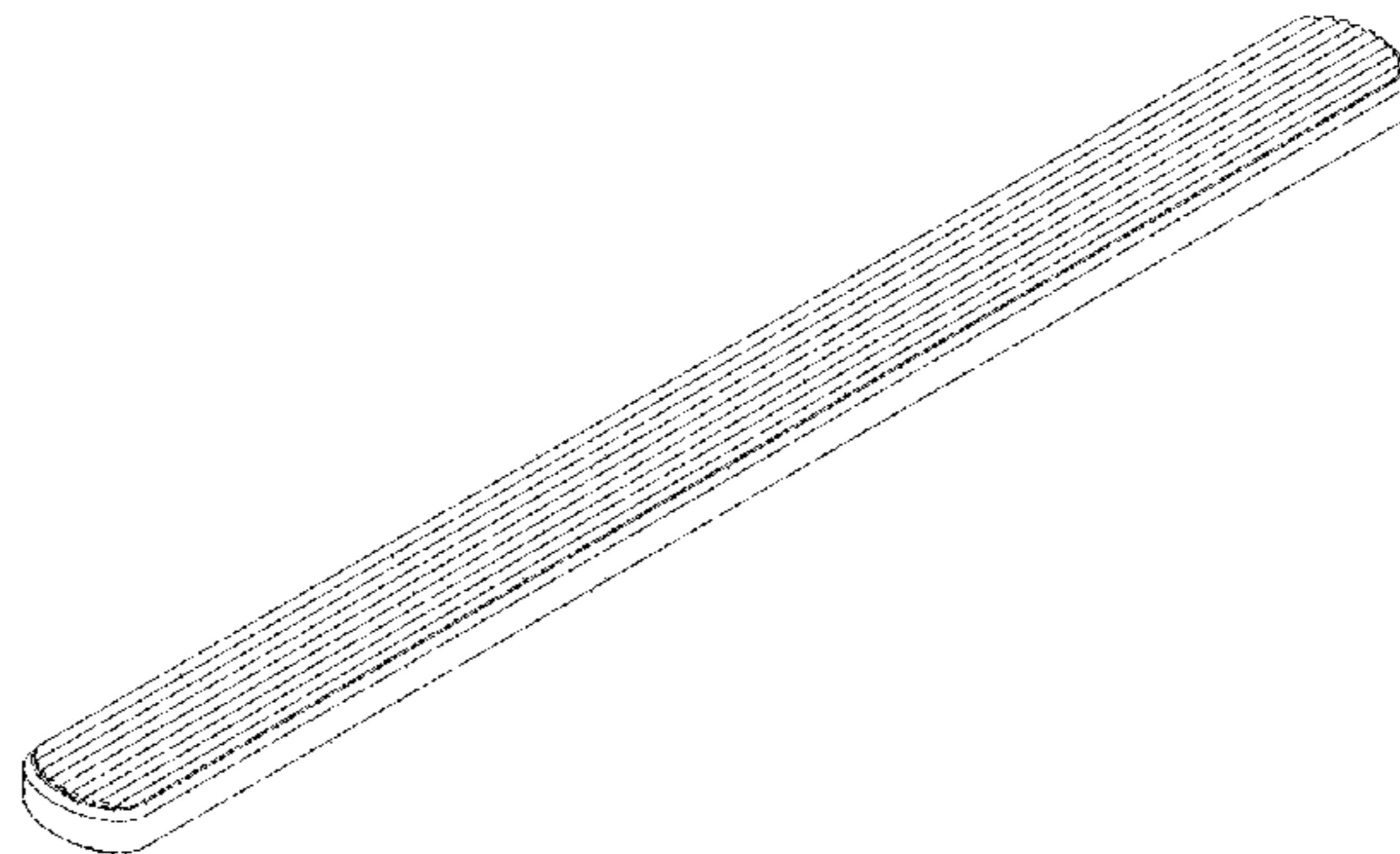
FIG. 16 is an enlarged left side view thereof;
FIG. 17 is an enlarged right side view thereof;
FIG. 18 is a top plan view thereof;
FIG. 19 is a front elevation view thereof;
FIG. 20 is a bottom plan view thereof; and
FIG. 21 is a rear elevation view thereof.

FIG. 22 is a perspective view of an embodiment of an automobile stepping bar with rounded ends showing the new design wherein the longitudinal length of the automobile stepping bar is variable;

FIG. 23 is an enlarged left side view thereof;
FIG. 24 is an enlarged right side view thereof;
FIG. 25 is a top plan view thereof;
FIG. 26 is a front elevation view thereof;
FIG. 27 is a bottom plan view thereof; and
FIG. 28 is a rear elevation view thereof.

The automobile stepping bar with rounded ends is shown with a symbolic break in its length. The appearance of any portion of the article between the break lines forms no part of the claimed design.

1 Claim, 28 Drawing Sheets



(56)

References Cited

U.S. PATENT DOCUMENTS

D456,747 S * 5/2002 Louie D12/106
 6,382,819 B1 * 5/2002 McQuiston B60Q 1/323
 362/487
 6,536,790 B1 * 3/2003 Ojanen B60R 3/002
 280/163
 D473,178 S * 4/2003 Schumacher D12/203
 D496,898 S * 10/2004 Metros D12/203
 D497,338 S * 10/2004 Metros D12/203
 D513,725 S * 1/2006 Metros D12/203
 D514,492 S * 2/2006 Metros D12/203
 D536,290 S * 2/2007 Yeh D12/203
 D546,259 S * 7/2007 Metros D12/203
 D548,664 S * 8/2007 Hall D12/203
 D568,221 S * 5/2008 Cord D12/203
 D595,630 S * 7/2009 McPherson D12/203
 7,744,106 B2 * 6/2010 VanBelle B60R 3/02
 180/90.6
 D632,627 S * 2/2011 Huang-Tsai D12/203
 D656,873 S * 4/2012 Barnhart D12/203
 D676,368 S * 2/2013 Cover D12/203
 D695,665 S * 12/2013 Masanek, Jr. D12/203
 D731,384 S * 6/2015 Farr D12/203
 D738,803 S * 9/2015 Zhu D12/203
 D739,322 S * 9/2015 Villareal D12/203
 D788,669 S * 6/2017 Guo D12/203
 D817,838 S * 5/2018 Dionisopoulos D12/203
 2005/0012295 A1 * 1/2005 Chevalier B60R 3/002
 280/163
 2005/0035568 A1 * 2/2005 Lee B60R 3/002
 280/166

* cited by examiner

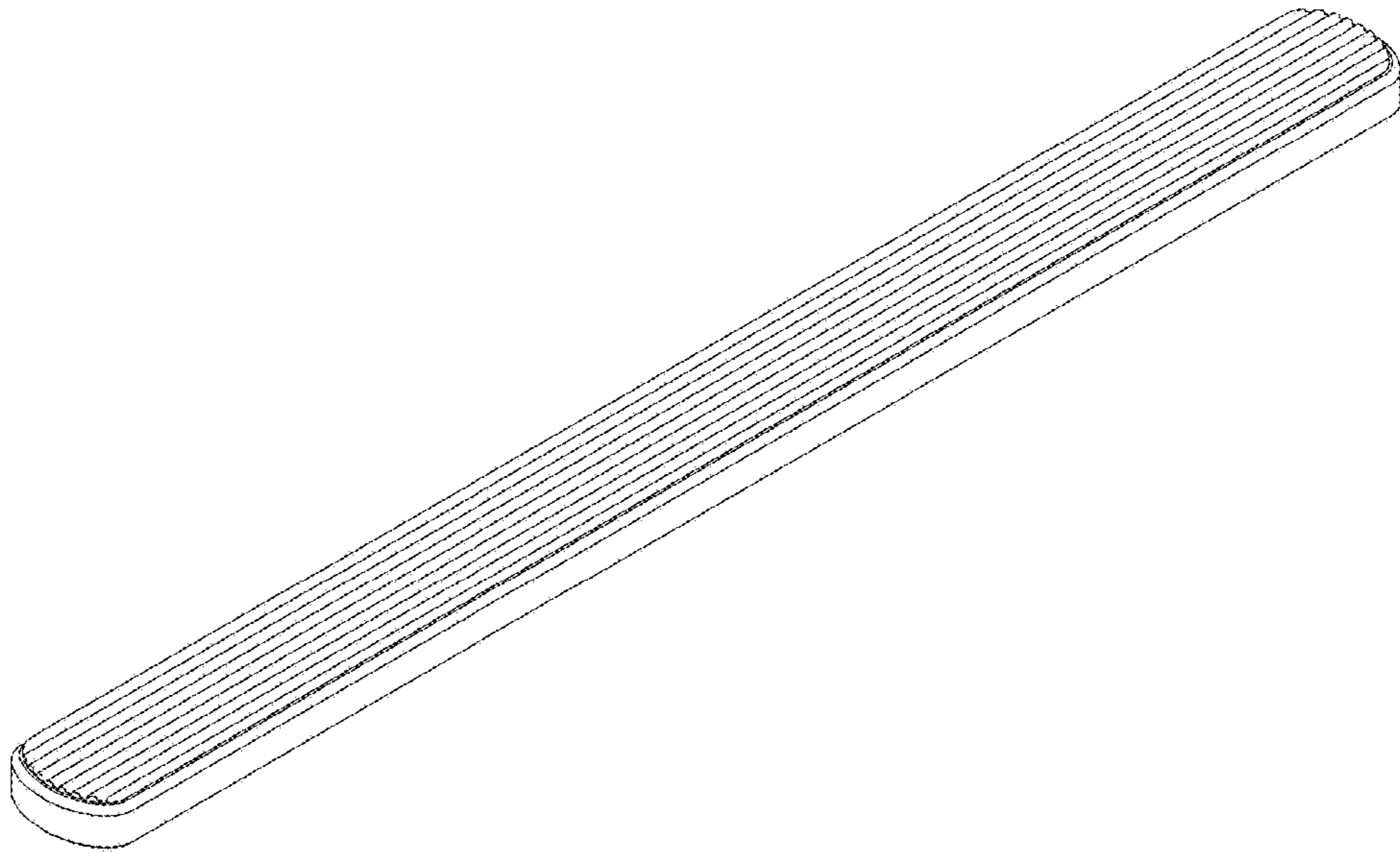


FIG.1

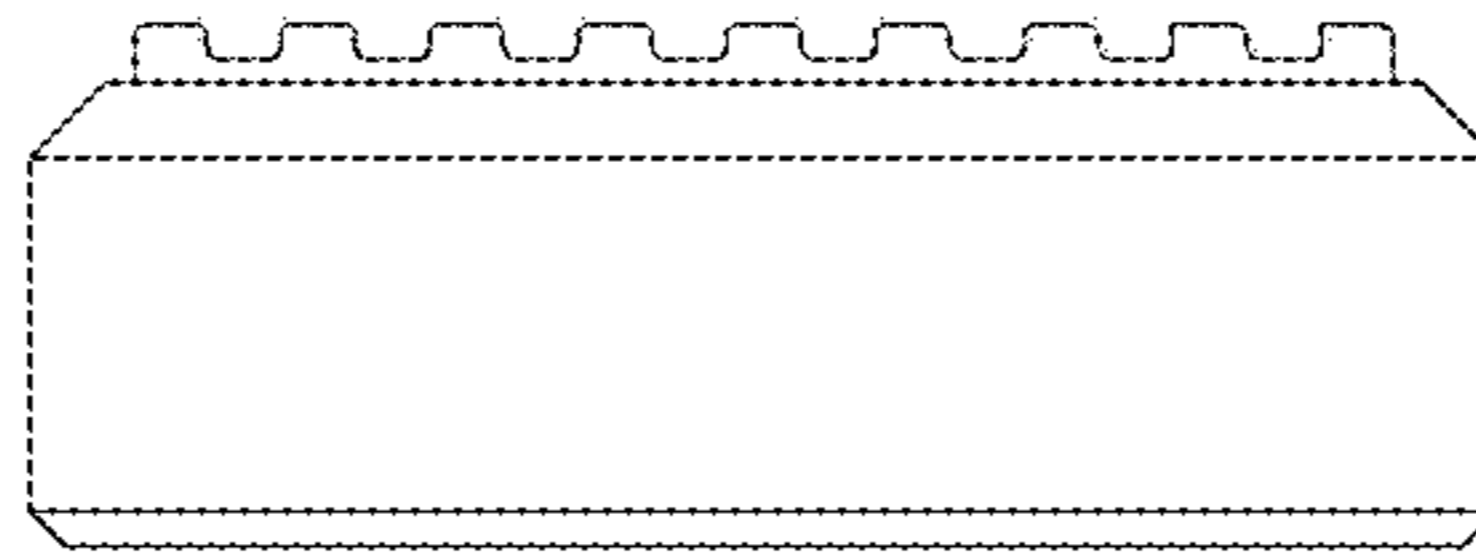


FIG.2

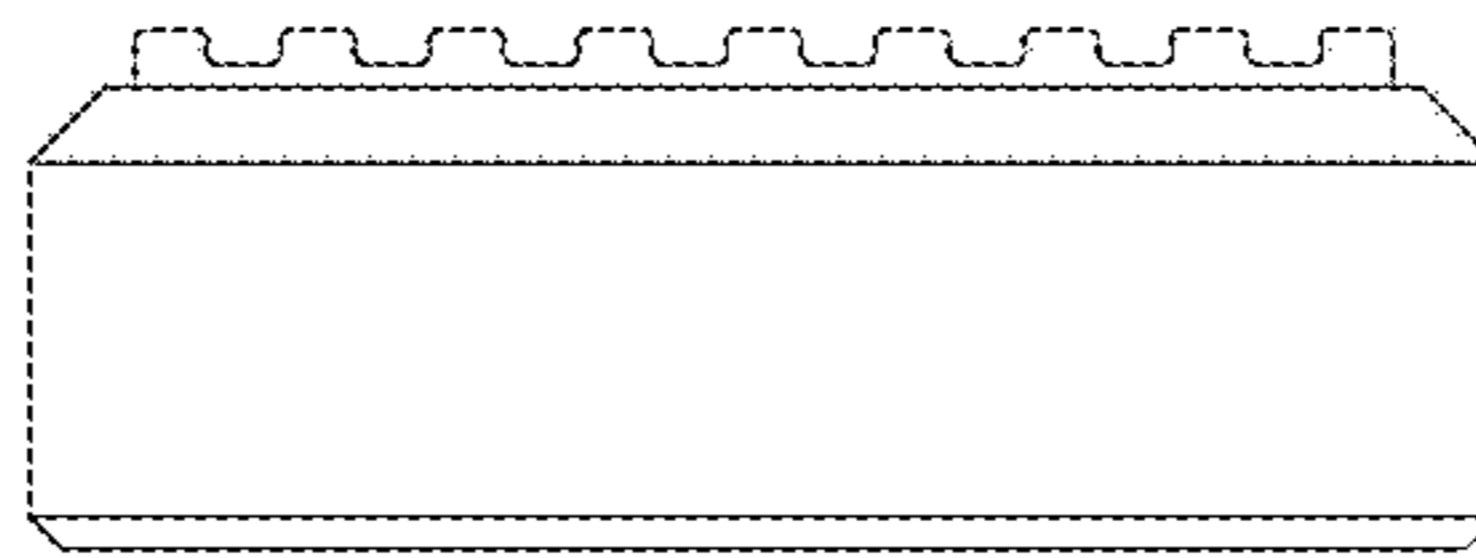


FIG.3

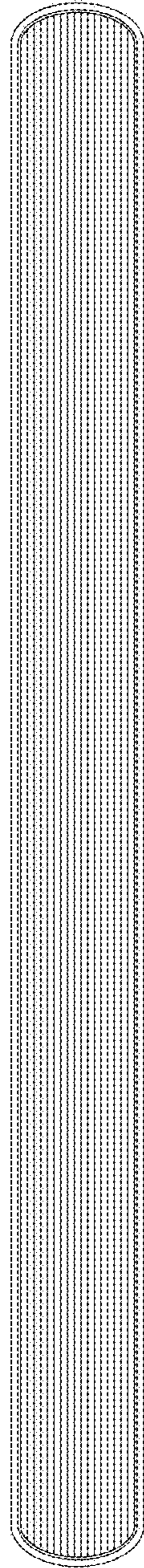


FIG.4

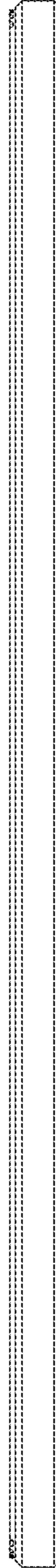


FIG.5

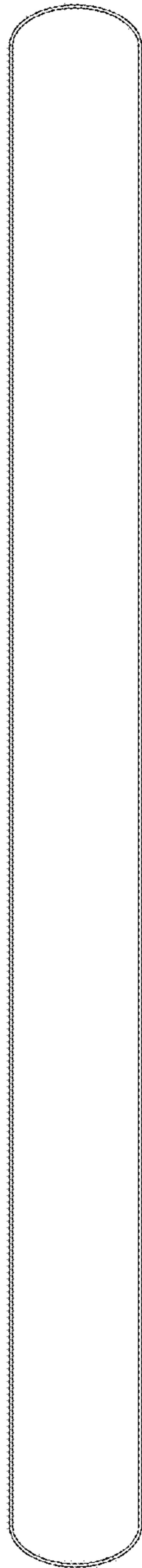


FIG.6

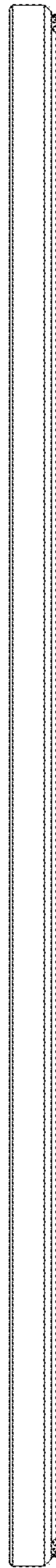


FIG.7

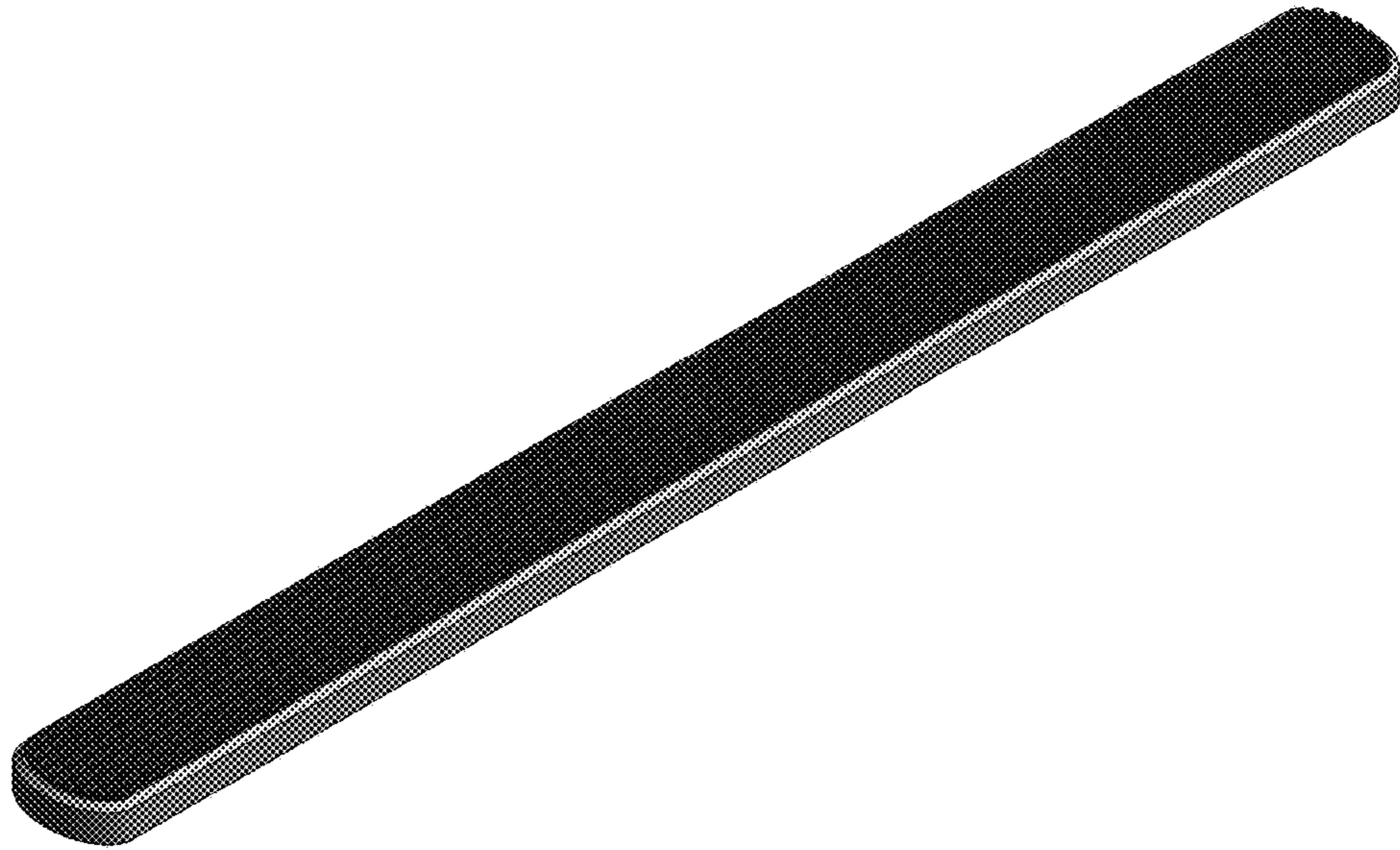


FIG.8

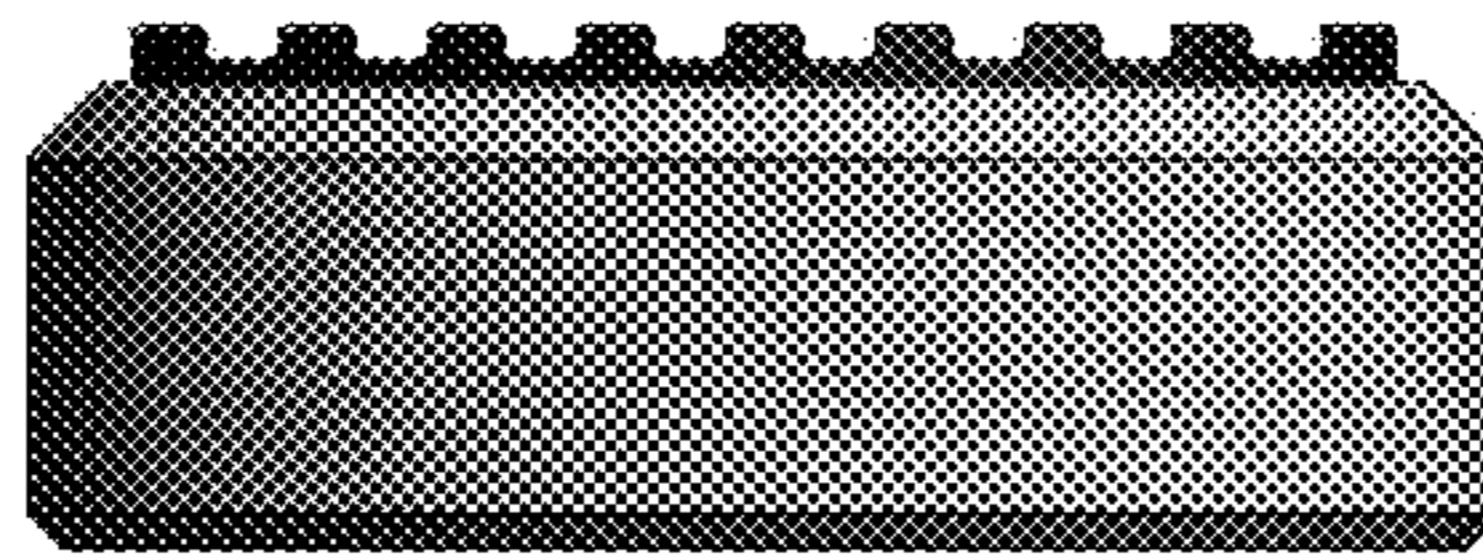


FIG.9

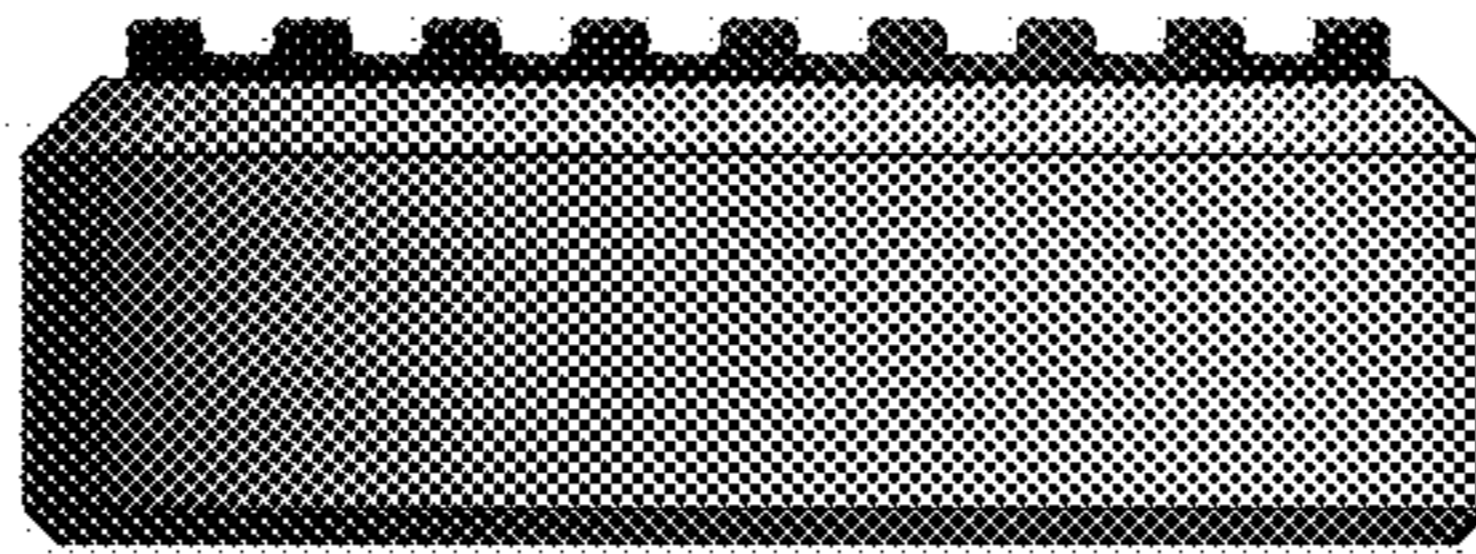


FIG.10

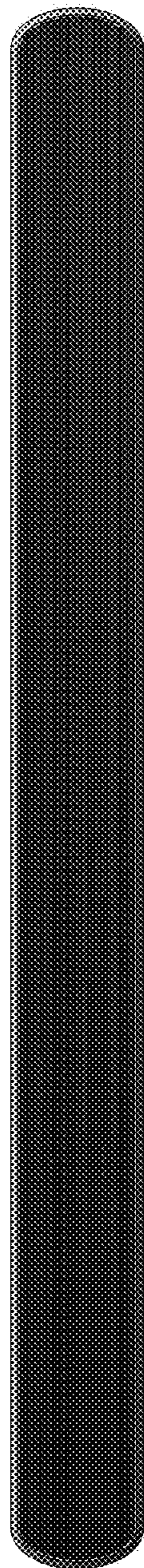


FIG.11



FIG.12

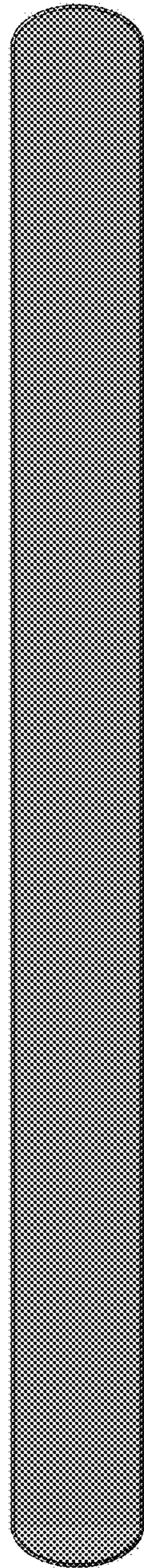


FIG.13



FIG.14

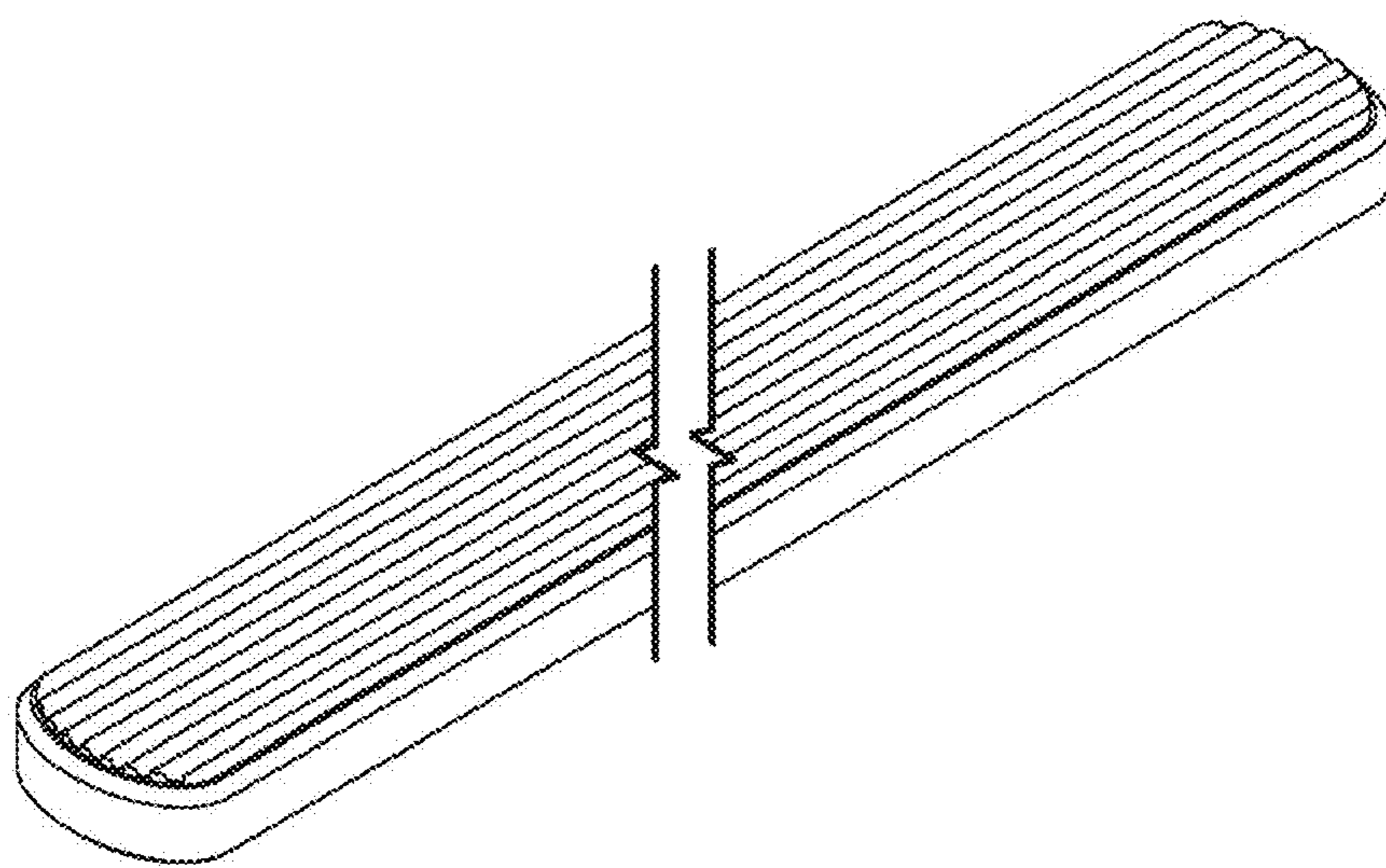


FIG.15

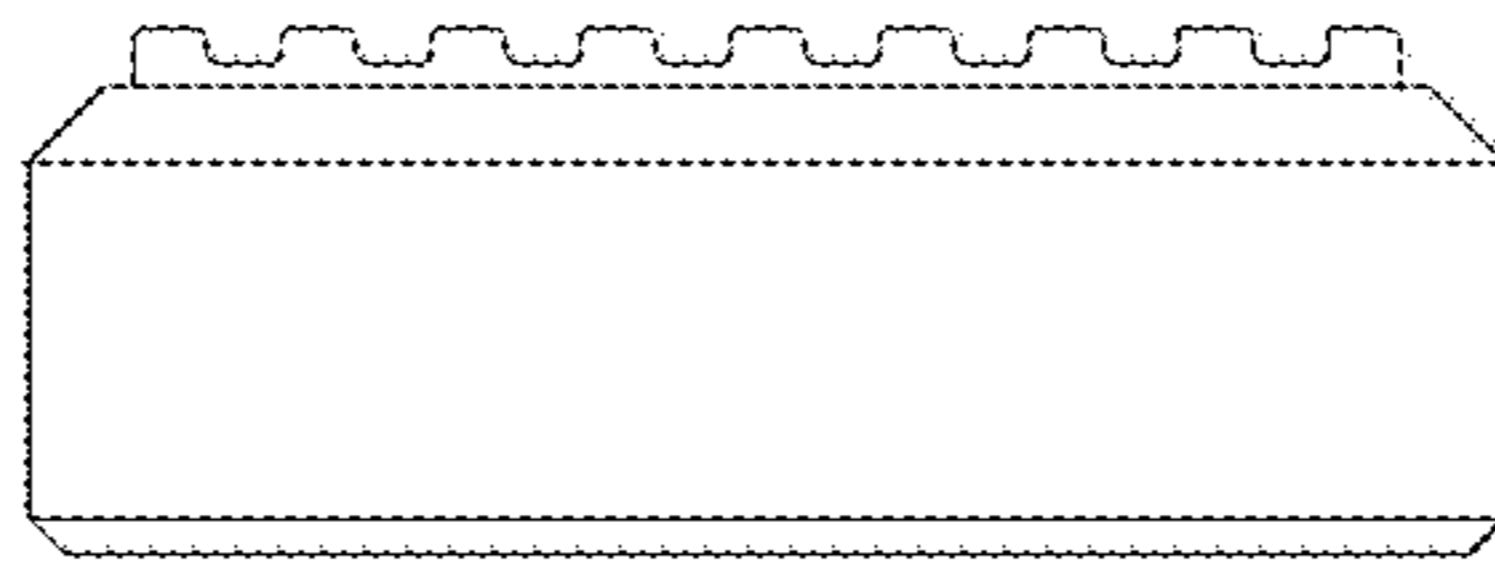


FIG.16

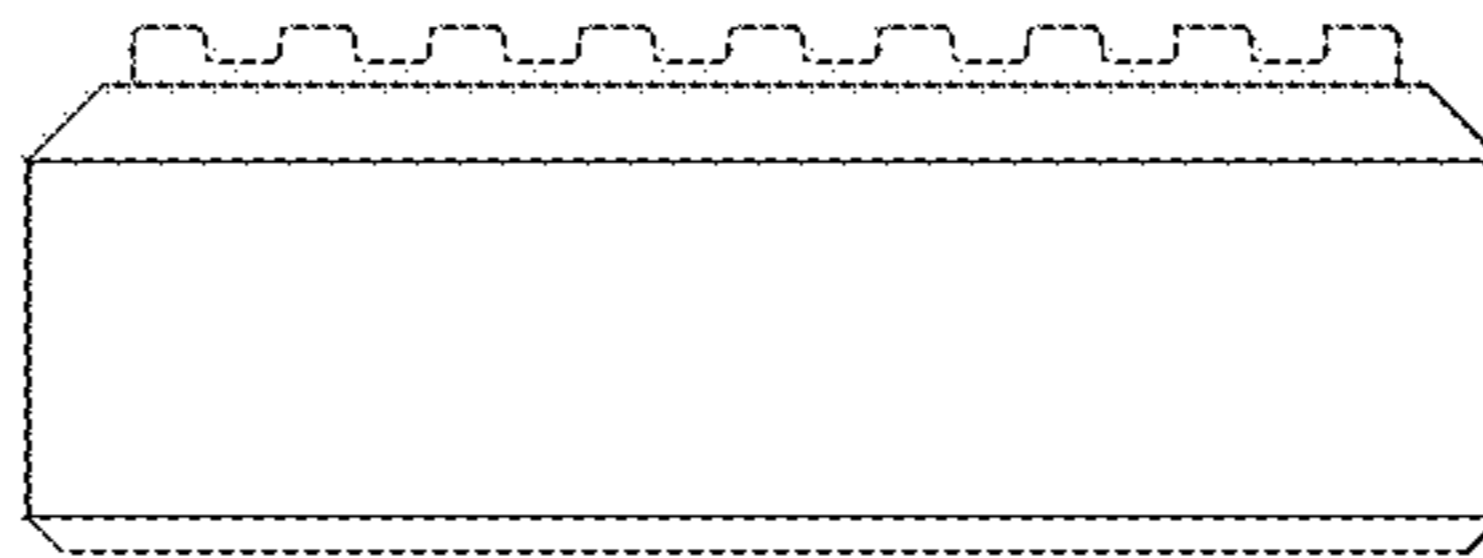


FIG.17

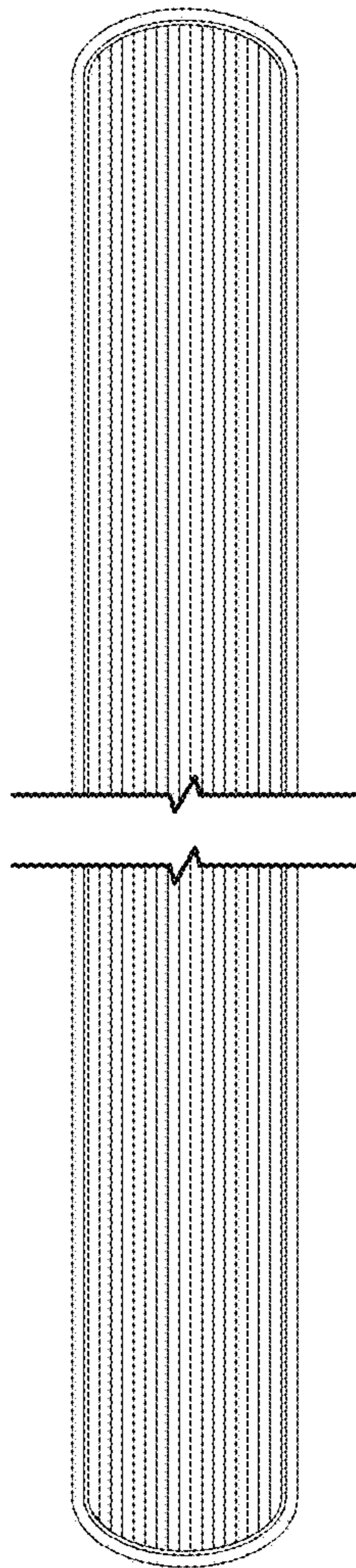


FIG.18

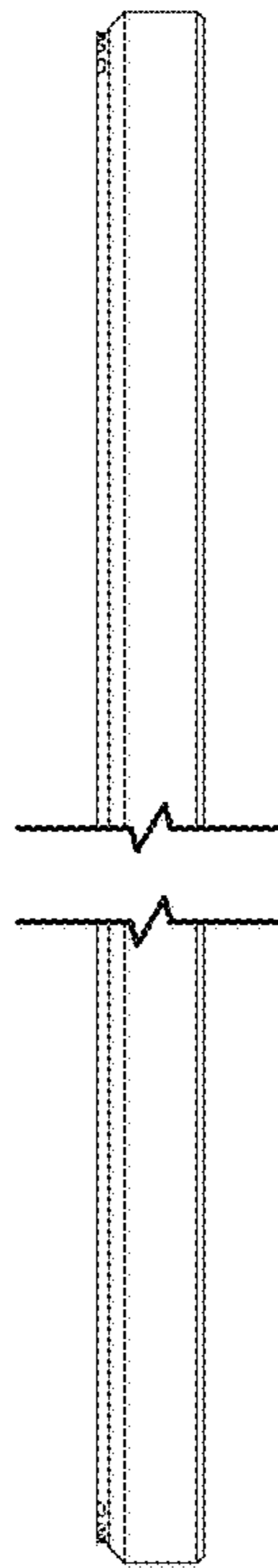


FIG.19

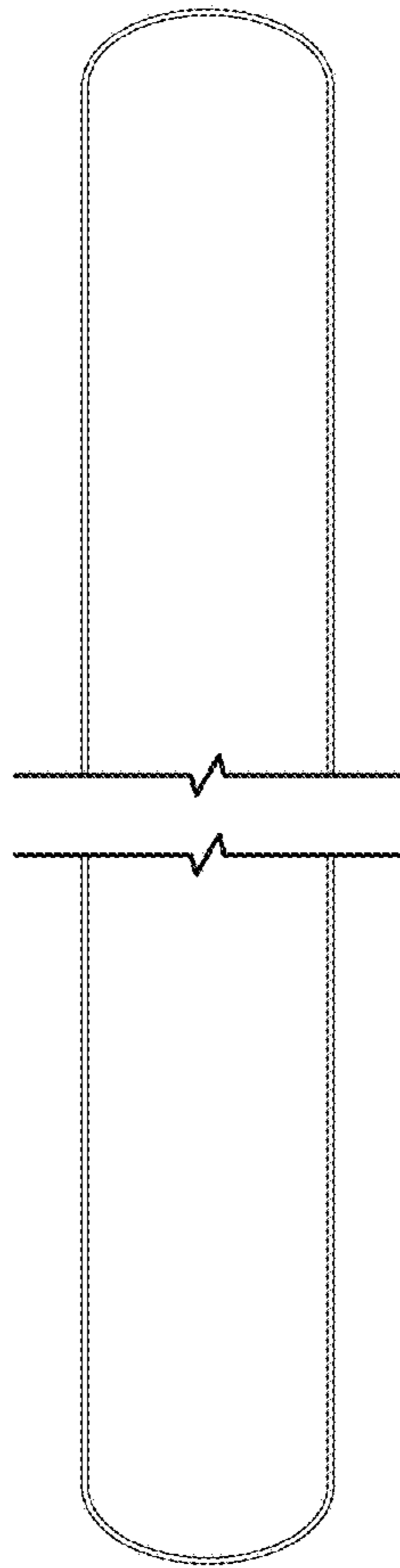


FIG.20

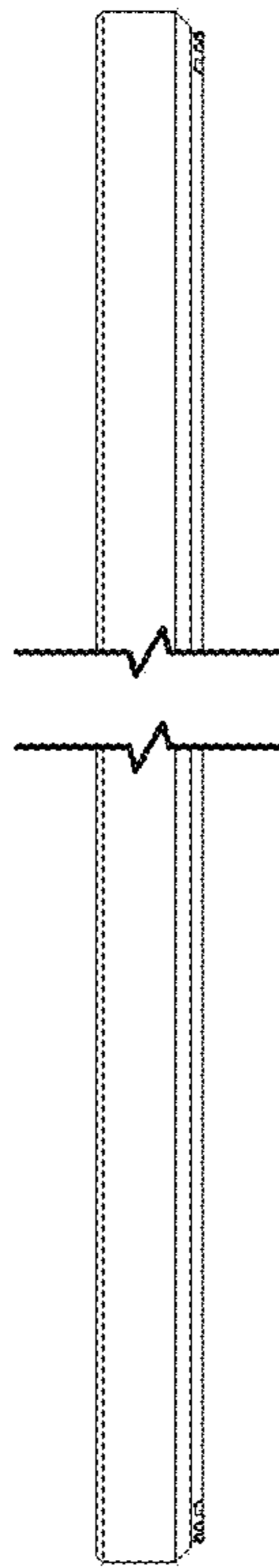


FIG.21

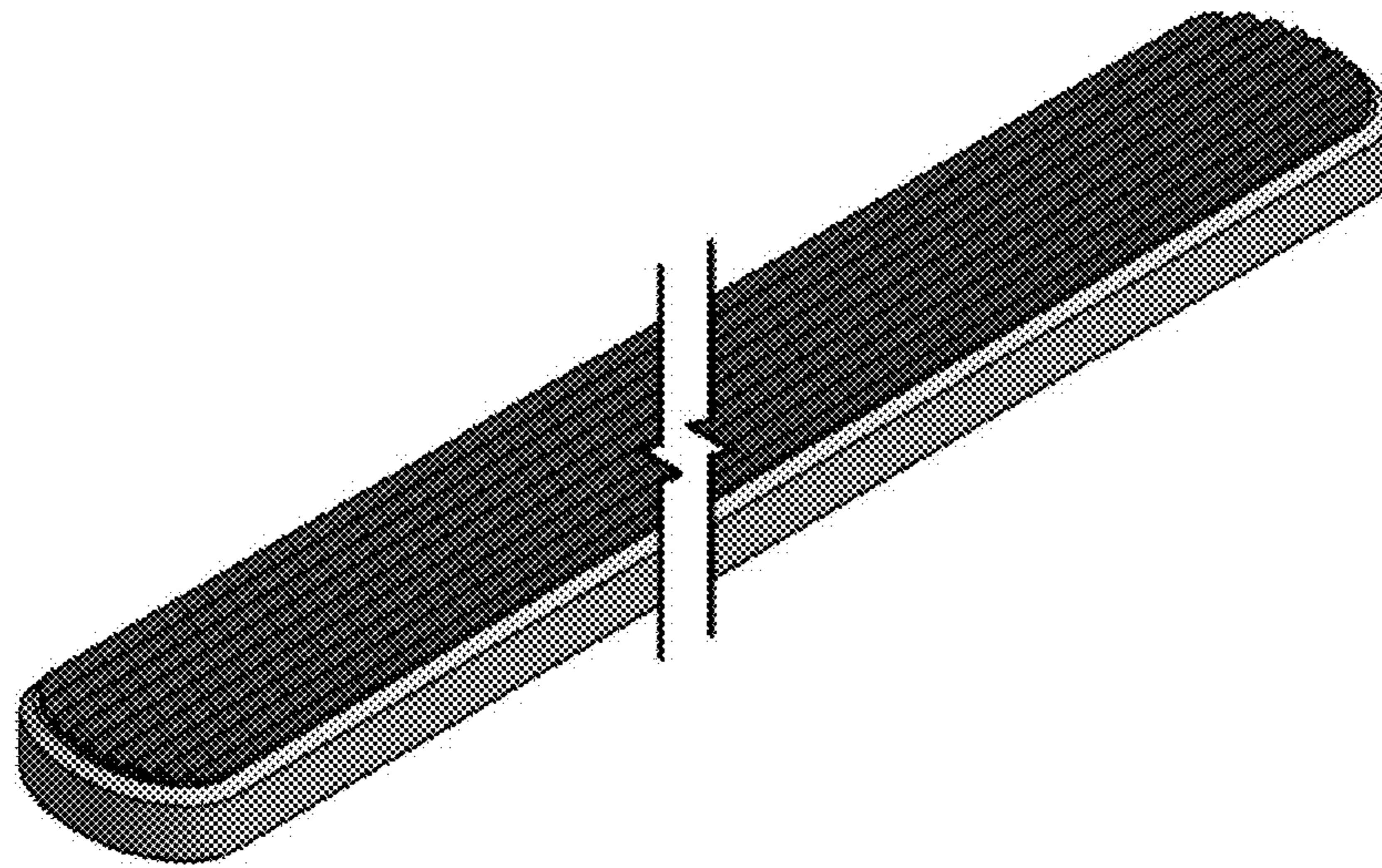


FIG.22

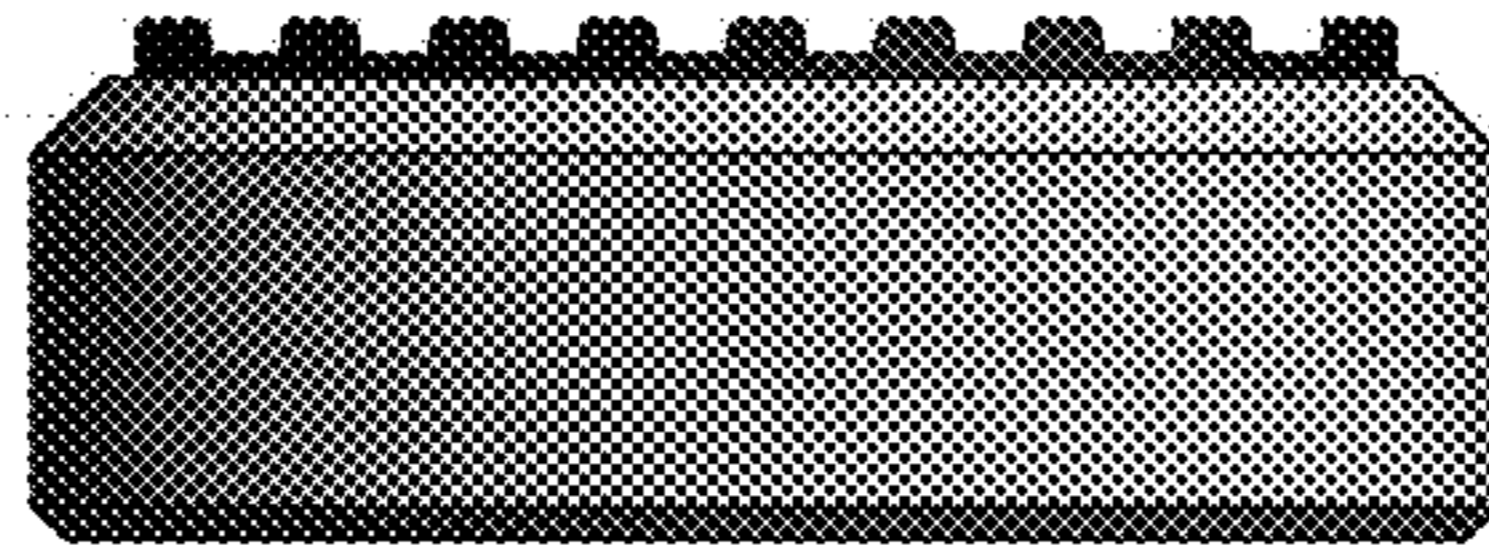


FIG.23

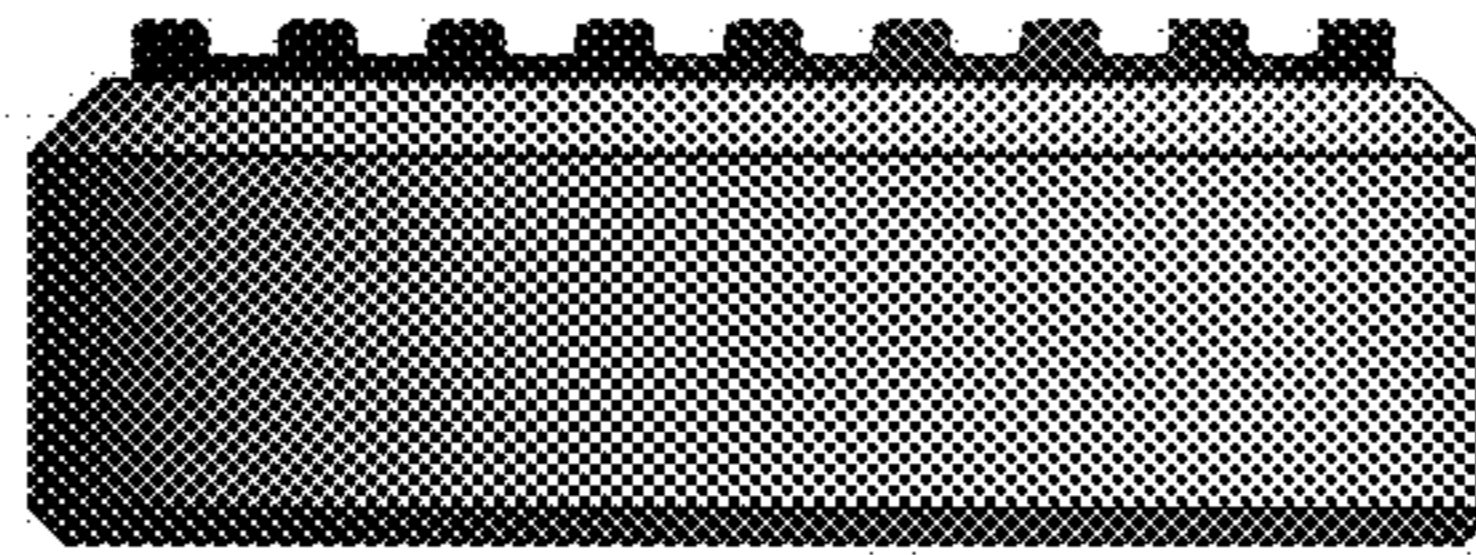


FIG.24

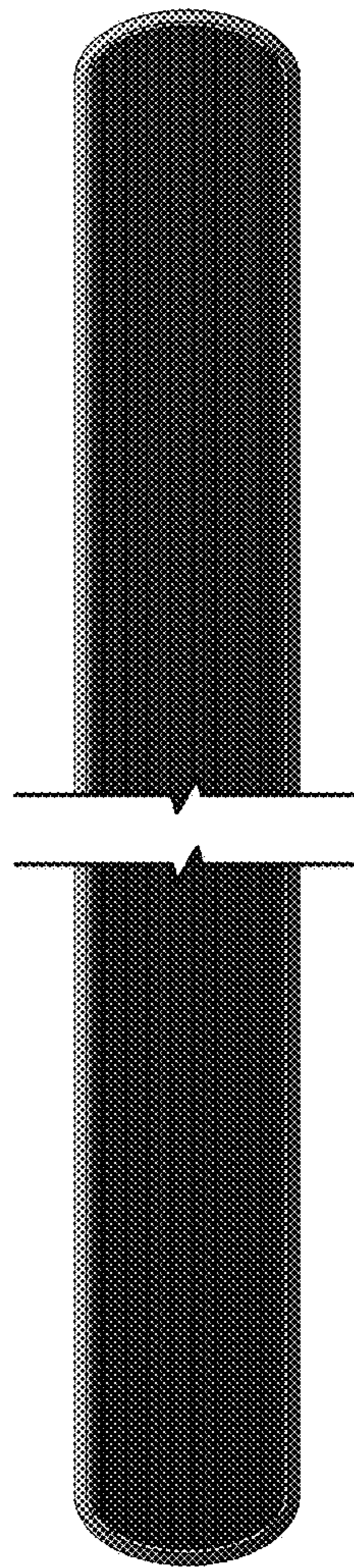


FIG.25

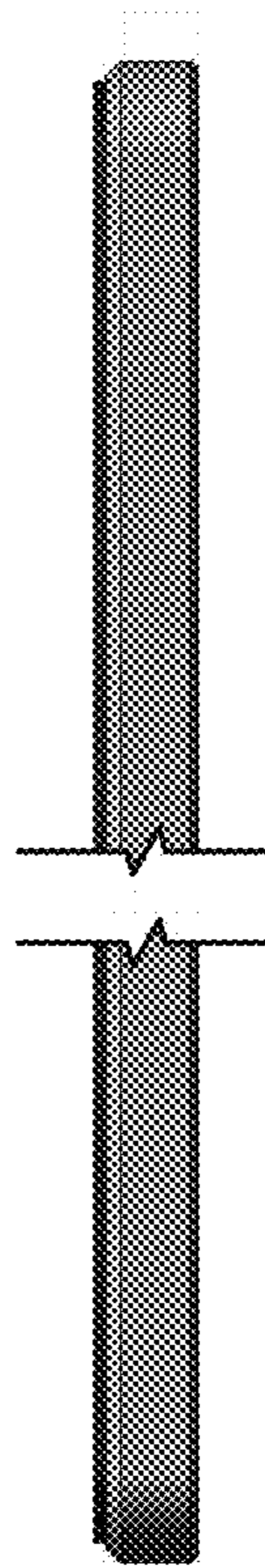


FIG.26

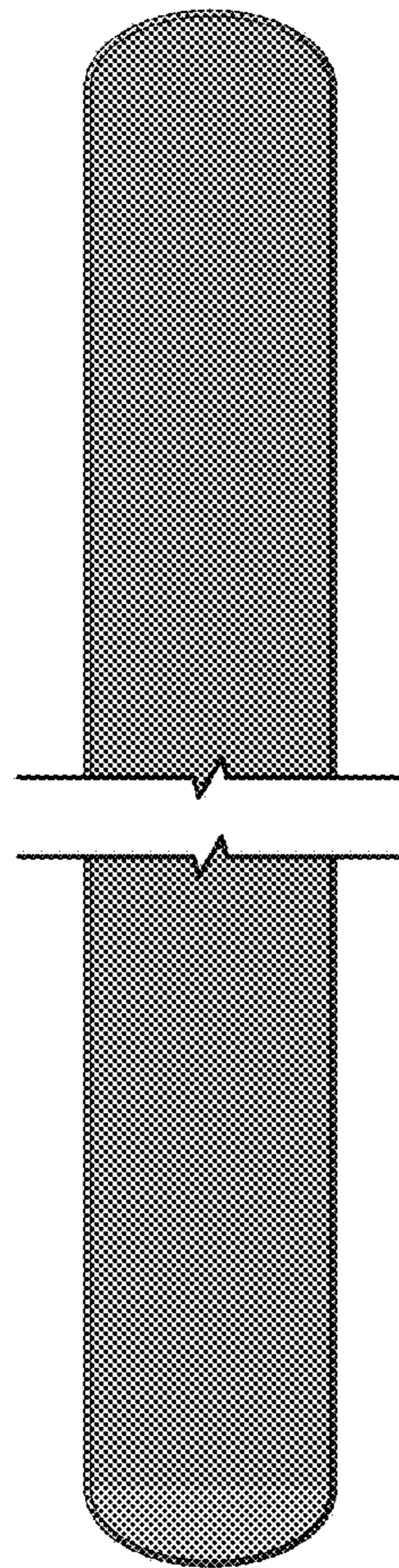


FIG.27

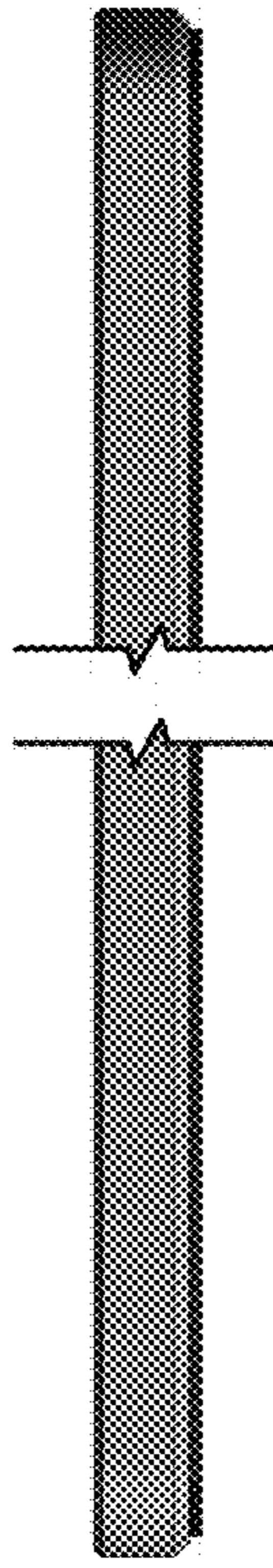


FIG.28