



US00D846468S

(12) **United States Design Patent** (10) **Patent No.:** **US D846,468 S**  
**Kimura et al.** (45) **Date of Patent:** **\*\* Apr. 23, 2019**

(54) **DOOR CHANNEL**

FOREIGN PATENT DOCUMENTS

(71) Applicant: **SHIROKI CORPORATION**,  
Fujisawa-shi (JP)

JP 2002-321530 A 11/2002  
JP 2002321530 A \* 11/2002

(72) Inventors: **Jun Kimura**, Fujisawa (JP); **Jun Makita**, Novi, MI (US)

OTHER PUBLICATIONS

(73) Assignee: **SHIROKI CORPORATION**,  
Fujisawa-Shi, Kanagawa (JP)

U.S. Non-Final Office Action dated Nov. 7, 2017 in Design U.S. Appl. No. 29/584,656.

(\*\*) Term: **15 Years**

*Primary Examiner* — Ruth McInroy

(21) Appl. No.: **29/633,199**

(74) *Attorney, Agent, or Firm* — McGinn I.P. Law Group, PLLC.

(22) Filed: **Jan. 12, 2018**

(57) **CLAIM**

The ornamental design for a door channel, as shown and described.

**Related U.S. Application Data**

(62) Division of application No. 29/584,656, filed on Nov. 16, 2016.

**DESCRIPTION**

(51) **LOC (11) Cl.** ..... **12-16**

(52) **U.S. Cl.**  
USPC ..... **D12/196**

(58) **Field of Classification Search**  
USPC ..... D12/163–165, 167, 169, 172, 181–184,  
D12/196, 400, 202, 190–191, 315,  
D12/317–318; 49/502, 440; 196/146.2  
CPC .. B62D 33/0273; B62D 25/087; B62D 25/16;  
B62D 25/02; B62D 35/007; B62D  
35/001; B60J 5/101; B60J 5/10; B60J  
5/107; B60J

FIG. 1 is a front, left, and bottom view of of a door channel showing a first embodiment of our new design;  
FIG. 2 is a front view thereof;  
FIG. 3 is a rear view thereof;  
FIG. 4 is a left side view thereof;  
FIG. 5 is a right side view thereof;  
FIG. 6 is a top plan view thereof;  
FIG. 7 is a bottom view thereof;  
FIG. 8 is a perspective view thereof shown in an alternate position;  
FIG. 9 is a front, right, and bottom perspective view of a door channel showing a second embodiment of our new design;  
FIG. 10 is a front view of FIG. 9;  
FIG. 11 is a rear view of FIG. 9;  
FIG. 12 is a left side view of FIG. 9;  
FIG. 13 is a right side view of FIG. 9;  
FIG. 14 is a top plan view of FIG. 9;  
FIG. 15 is a bottom view of FIG. 9; and,  
FIG. 16 is a perspective view of FIG. 9 shown in an alternate position.

(Continued)

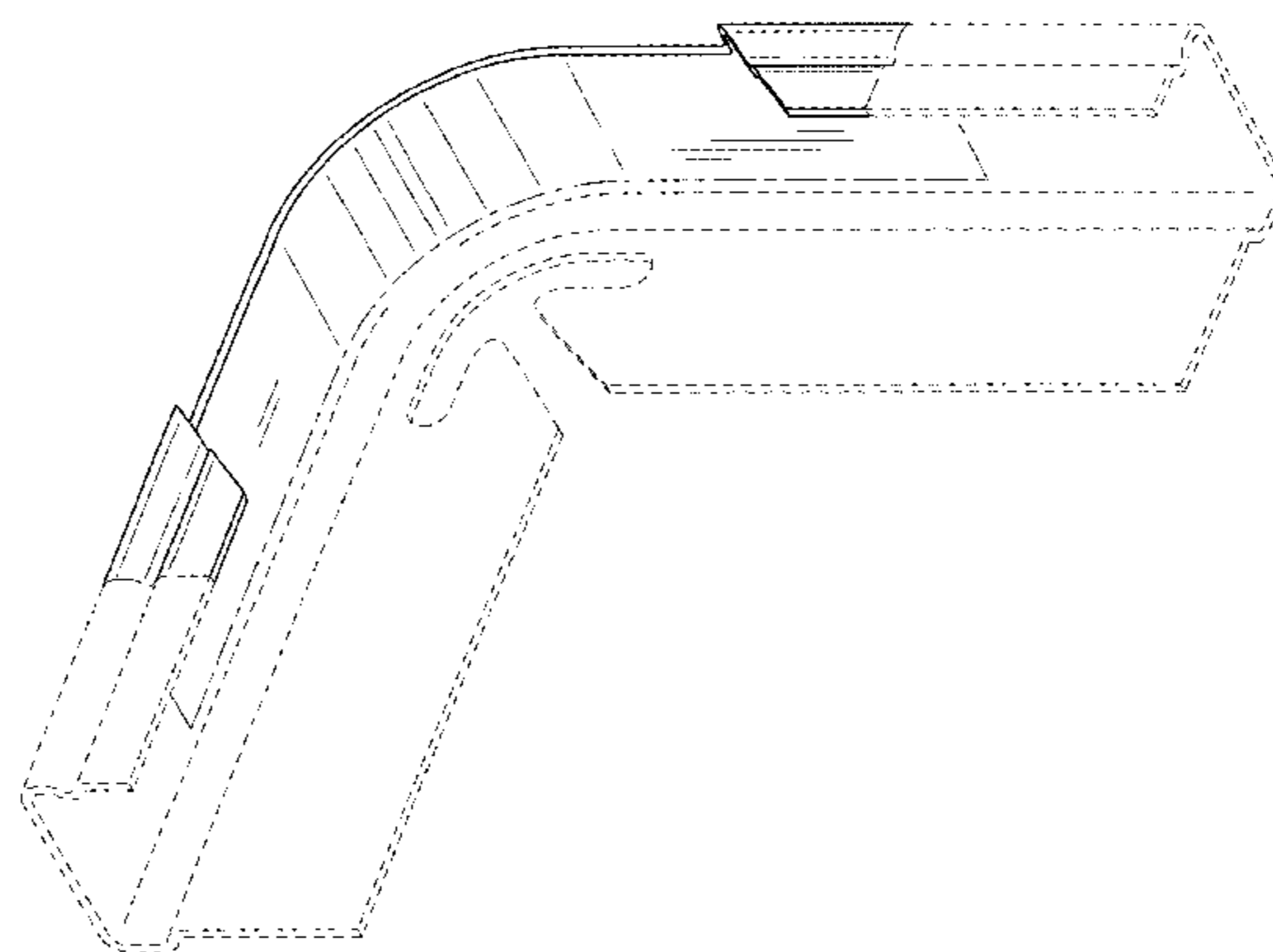
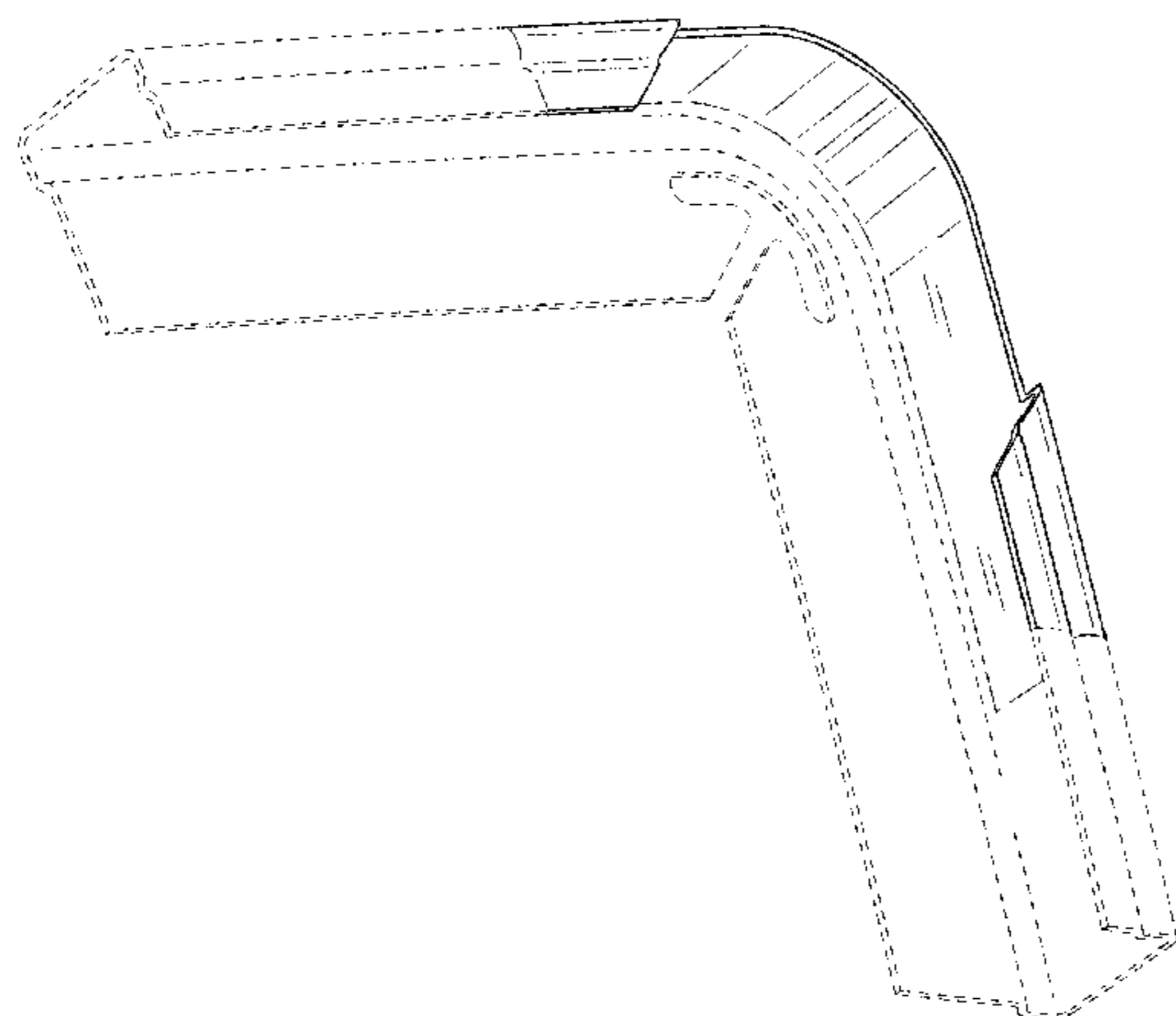
(56) **References Cited**

**U.S. PATENT DOCUMENTS**

5,718,084 A \* 2/1998 Takamiya ..... B60J 10/24  
49/440  
6,226,926 B1 \* 5/2001 Aritake ..... B60J 10/27  
296/146.9

(Continued)

(Continued)



The details shown in broken lines form no part of the claimed design. The dash-dot lines represent boundary lines.

**1 Claim, 14 Drawing Sheets**

(58) **Field of Classification Search**

CPC ..... 5/0402; B60J 5/0405; B60J 5/0455; B60J  
5/0466; B60J 10/02; B60J 1/04; B60J  
1/02

See application file for complete search history.

(56) **References Cited**

U.S. PATENT DOCUMENTS

8,151,520	B2 *	4/2012	Yamashita .....	B60J 10/21 296/146.2
8,458,959	B2 *	6/2013	Ohtake .....	B60J 5/0402 49/479.1
9,649,921	B2 *	5/2017	Bessho .....	B60J 5/0402

\* cited by examiner

FIG. 1

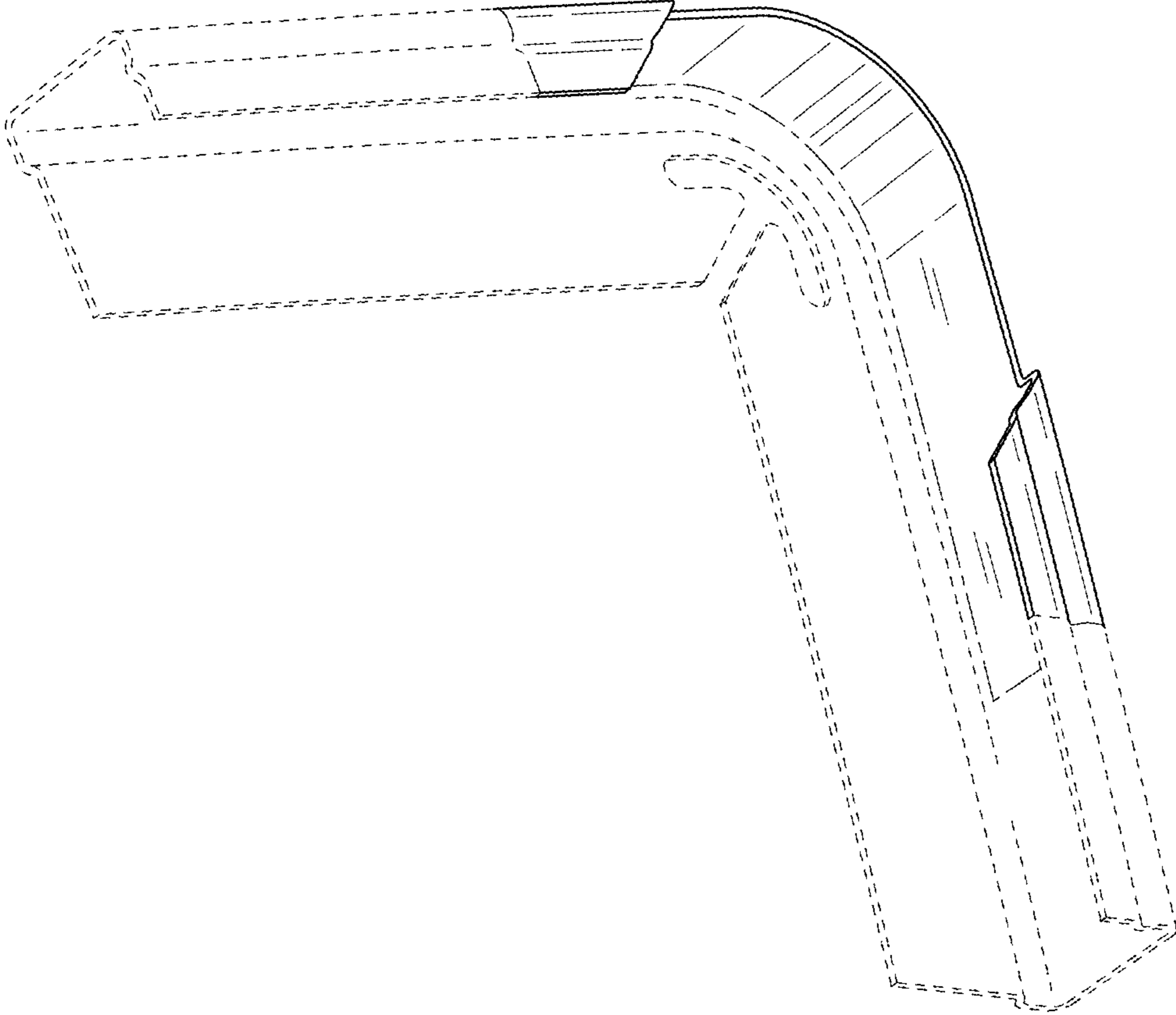


FIG.2

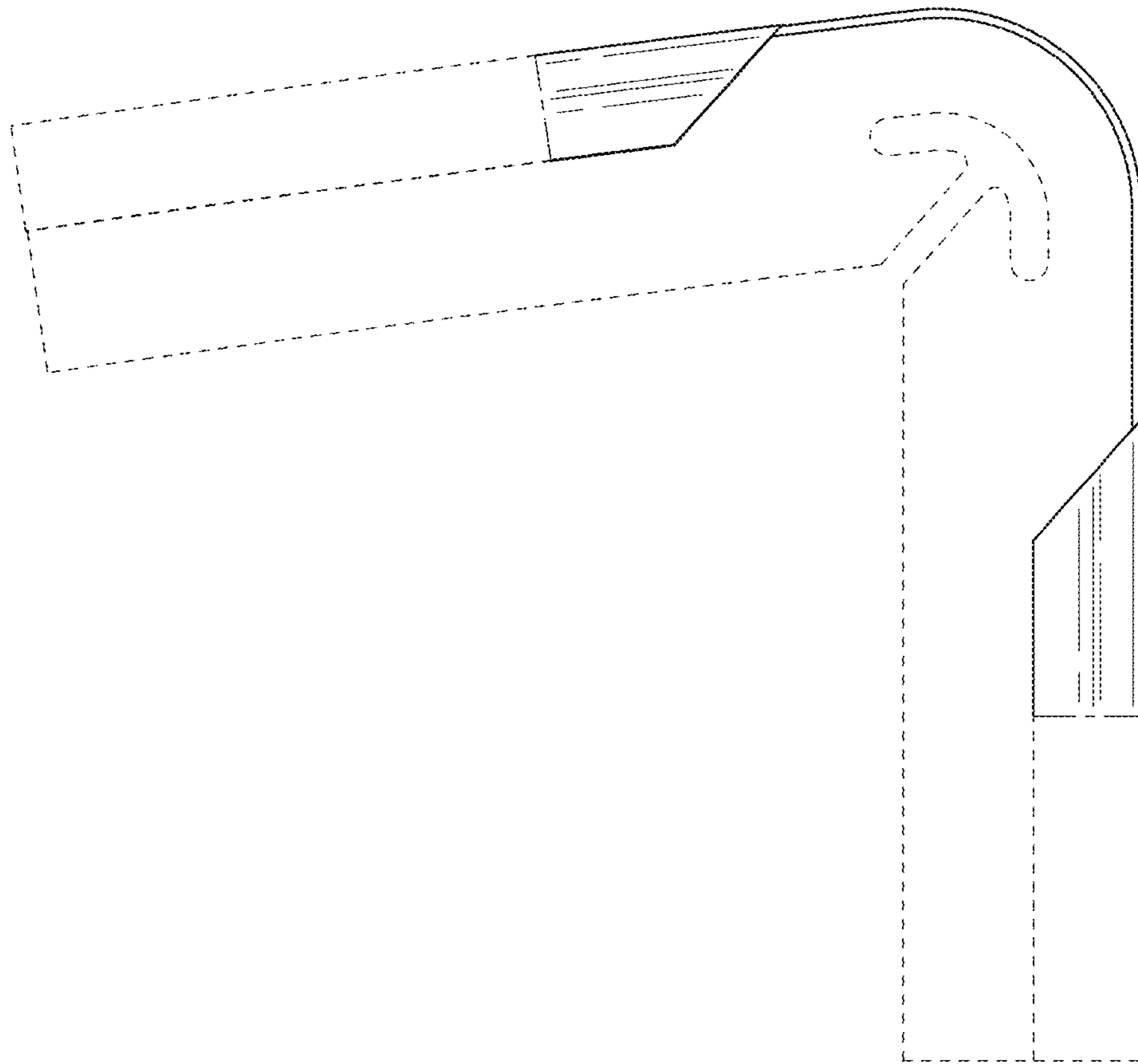
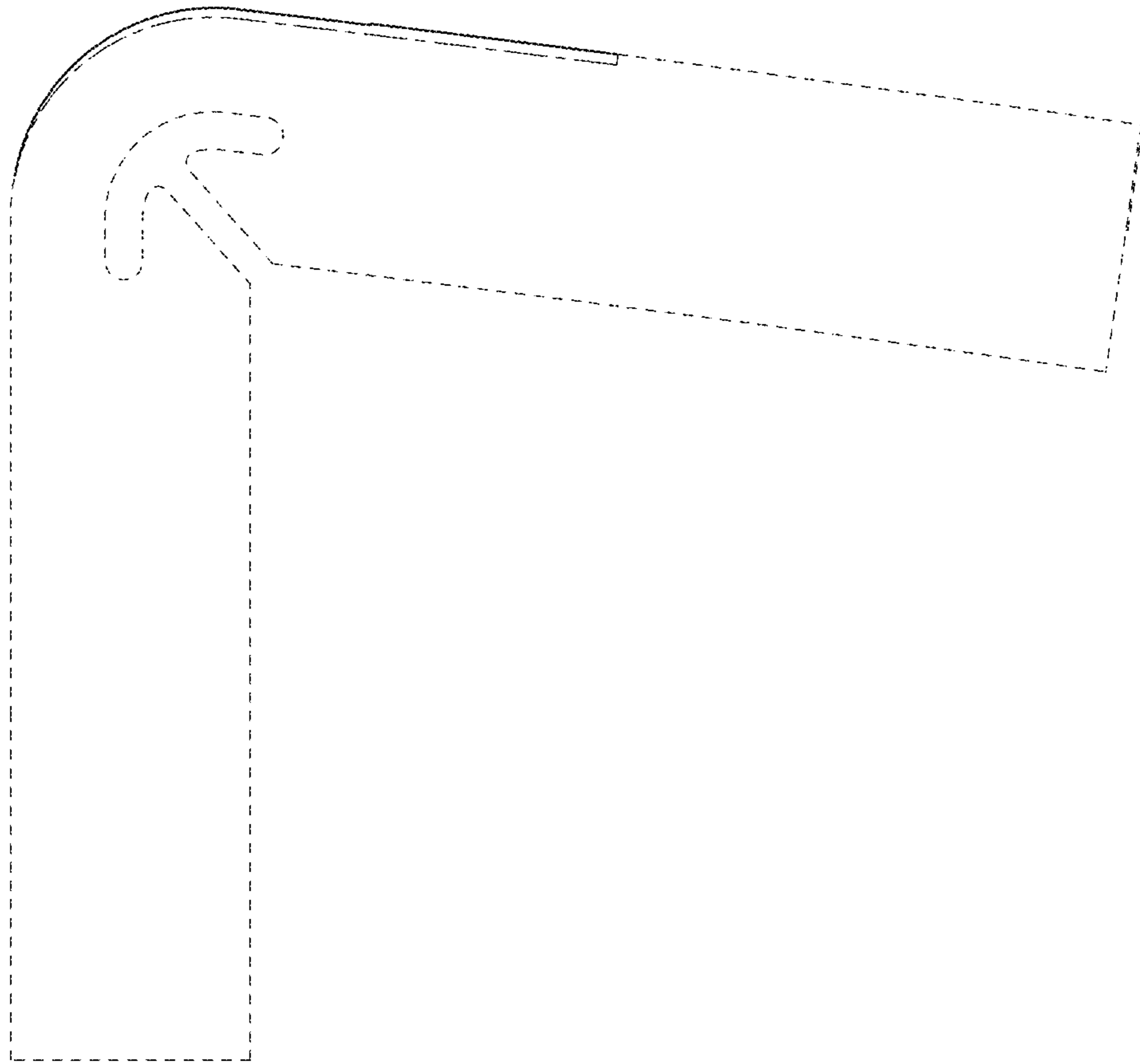
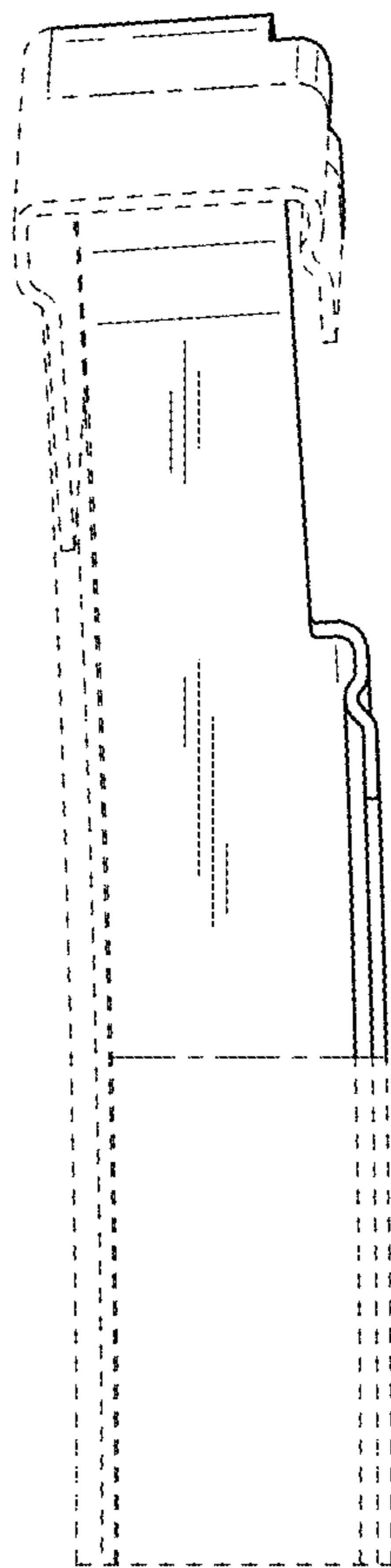


FIG.3



*FIG. 4*



*FIG. 5*

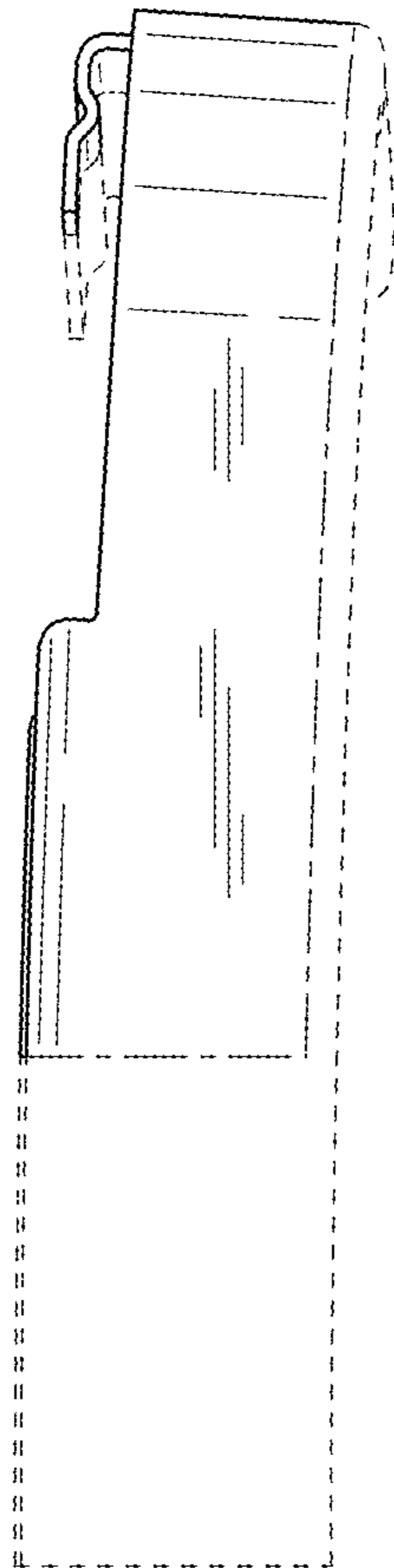


FIG.6

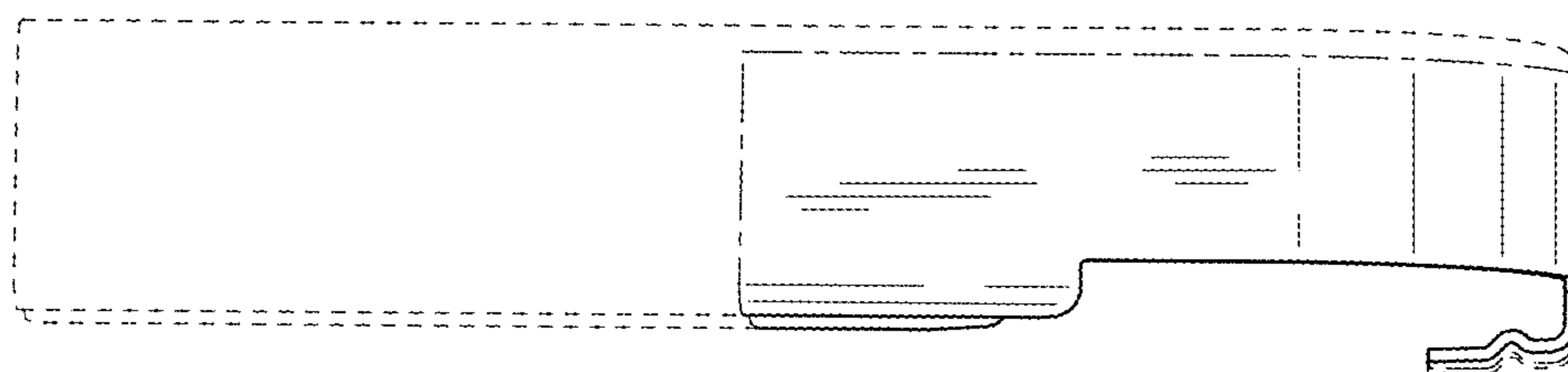


FIG.7

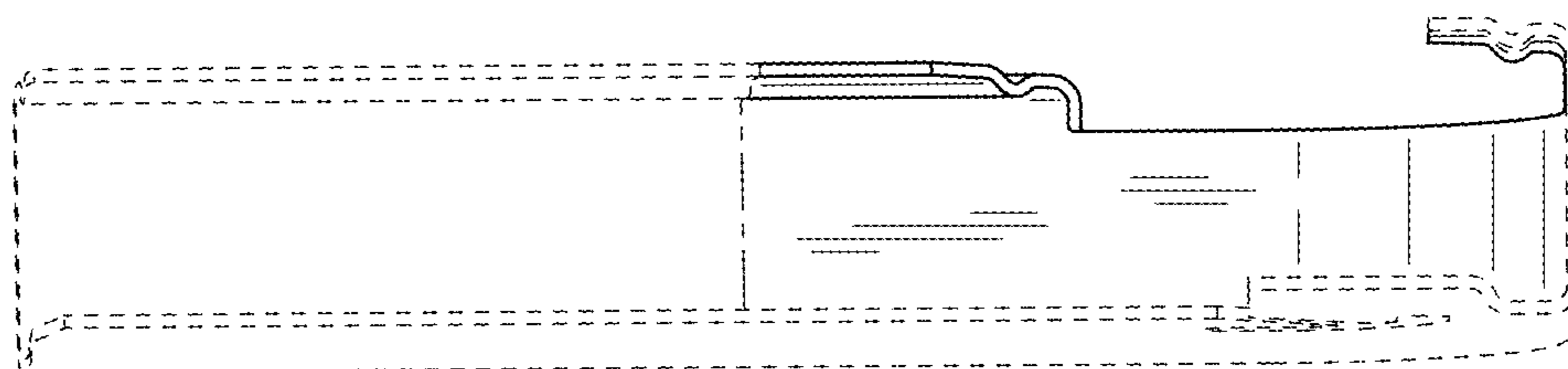




FIG. 8

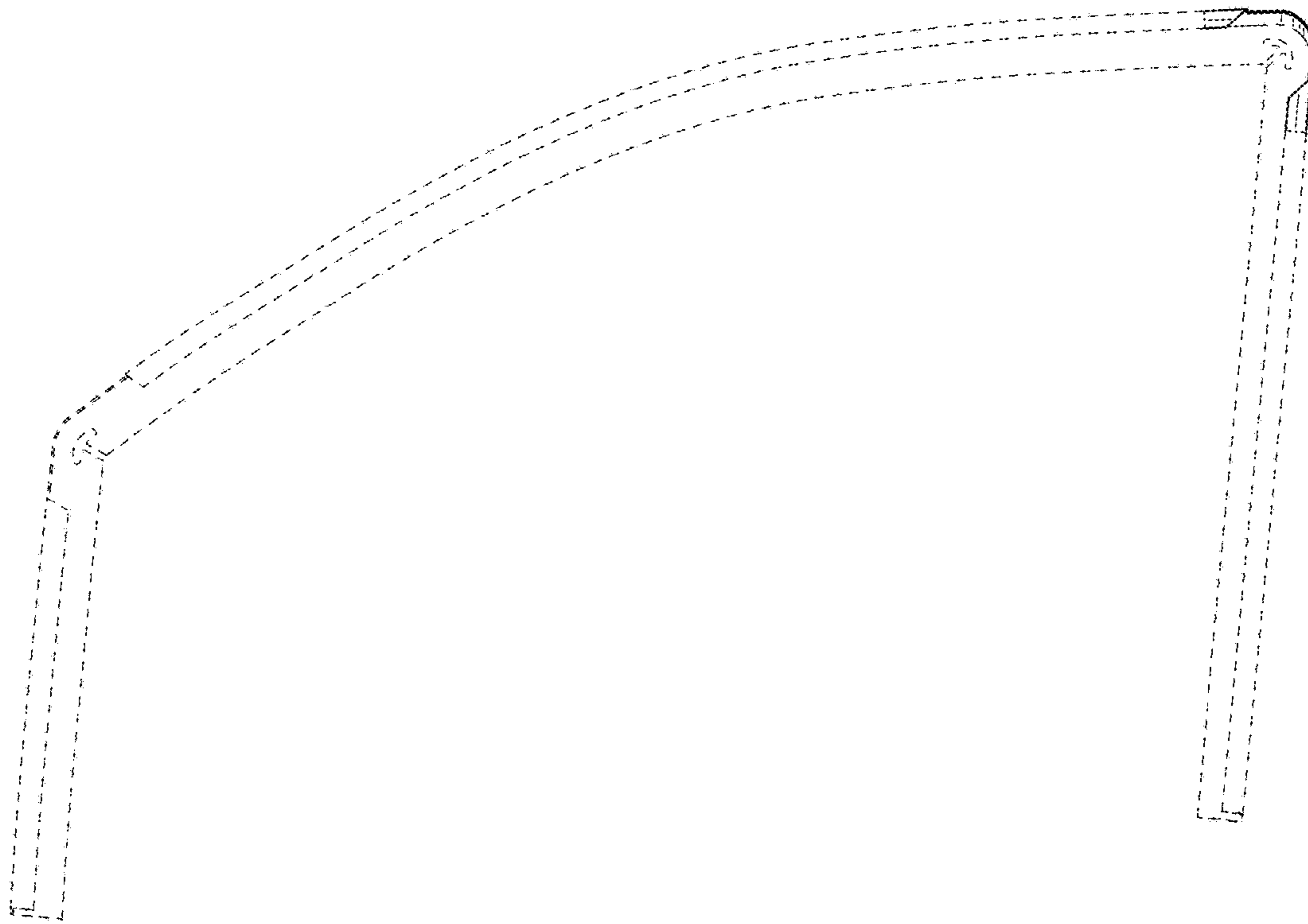
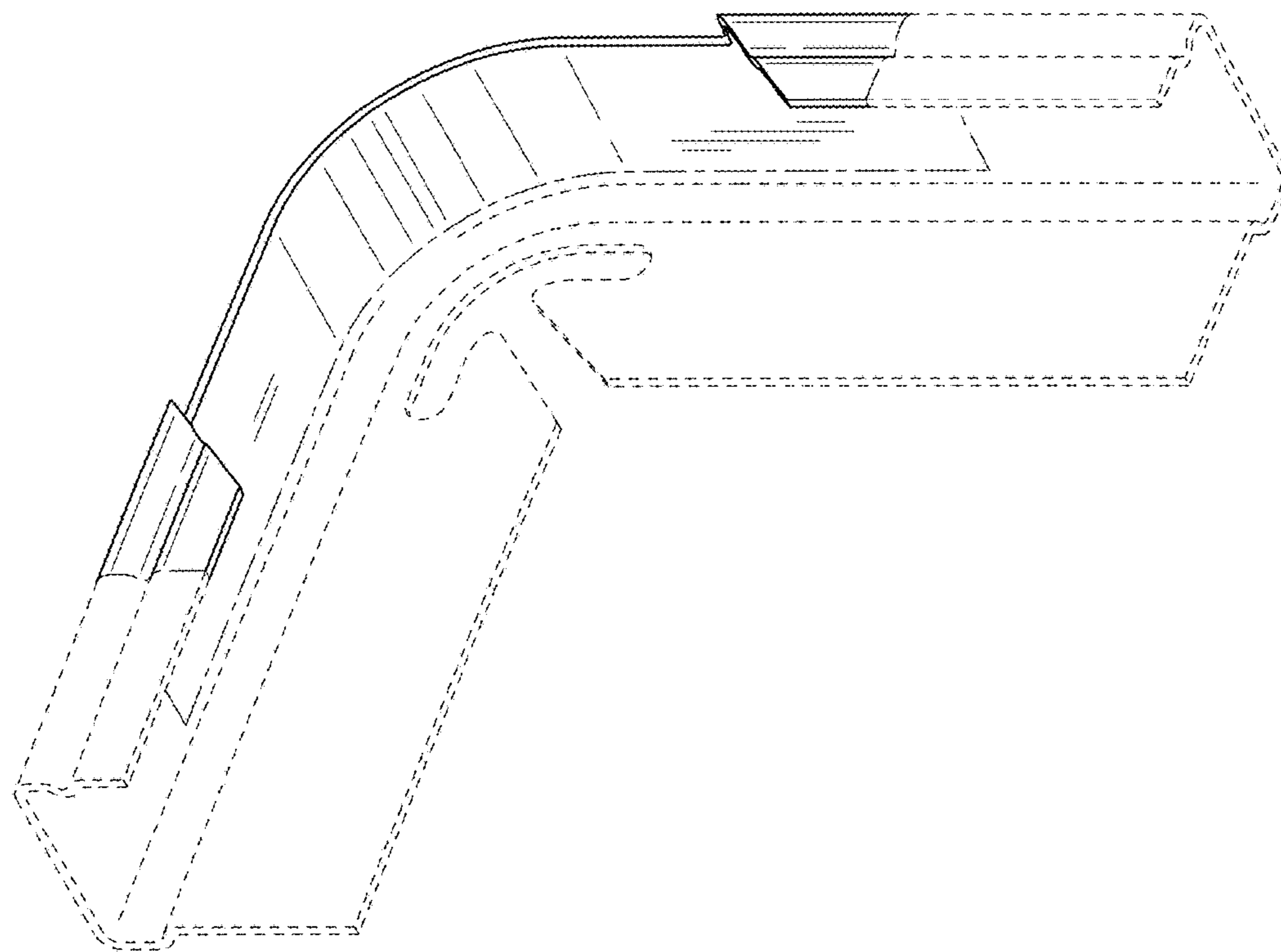
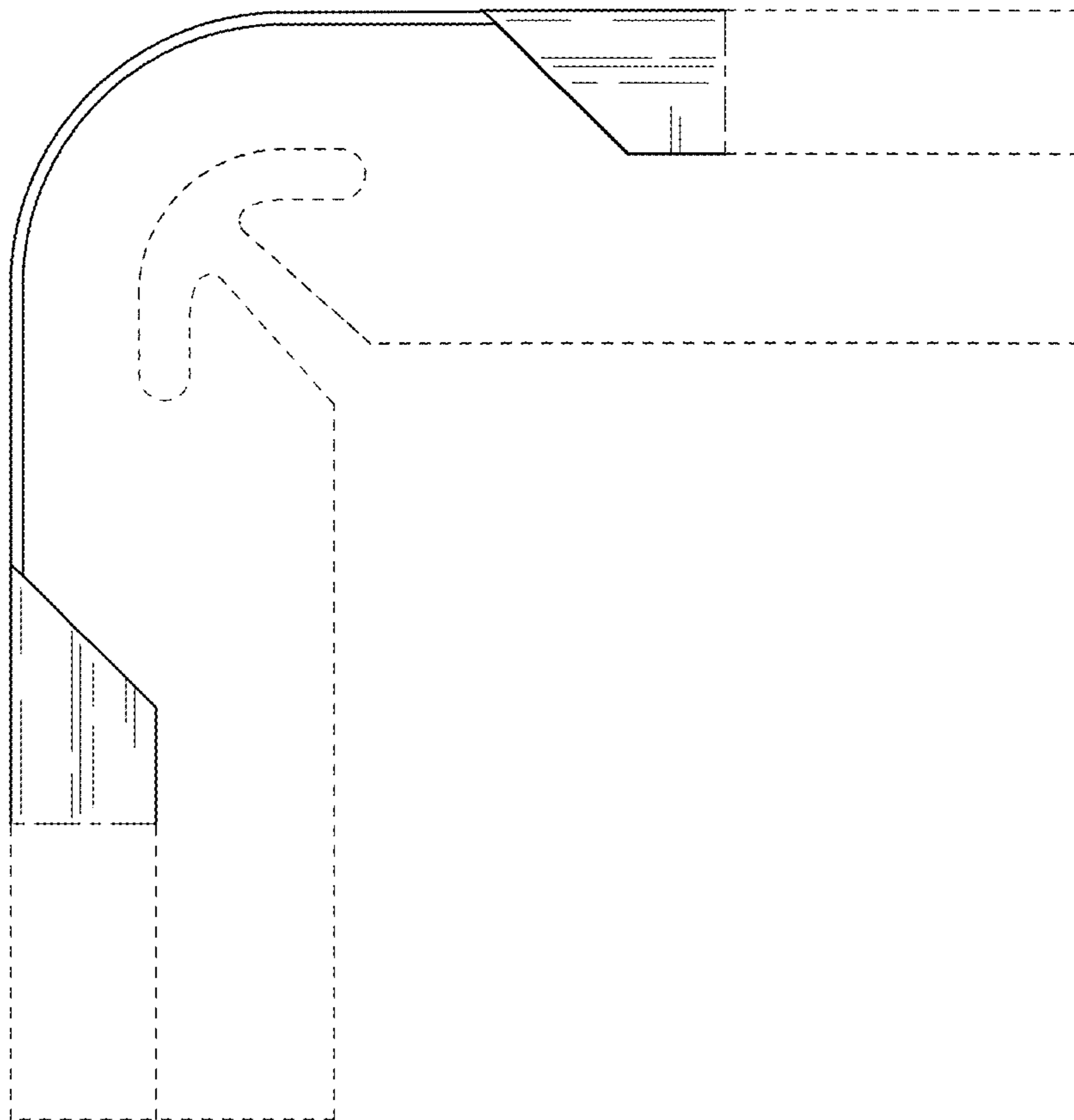


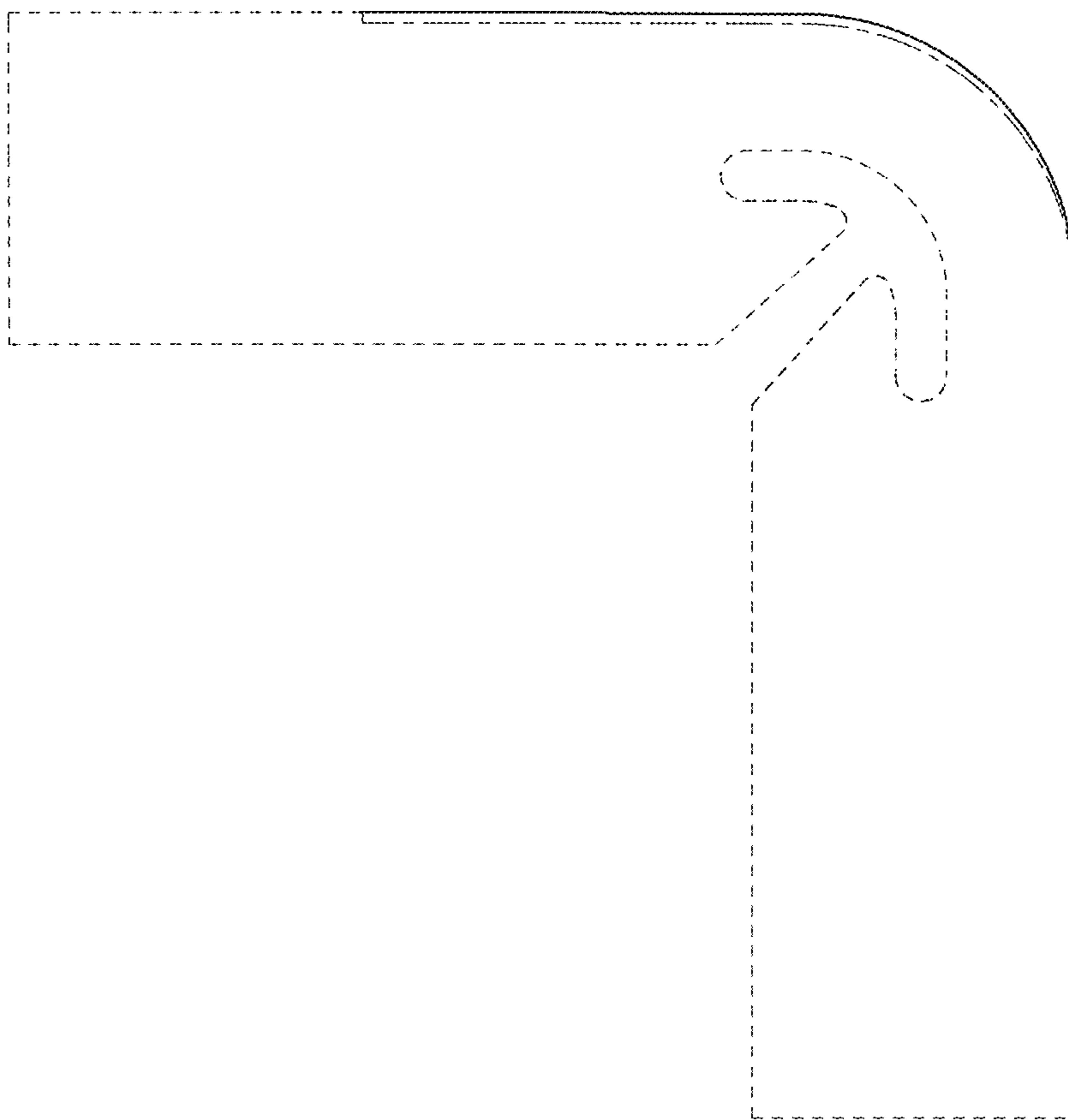
FIG.9



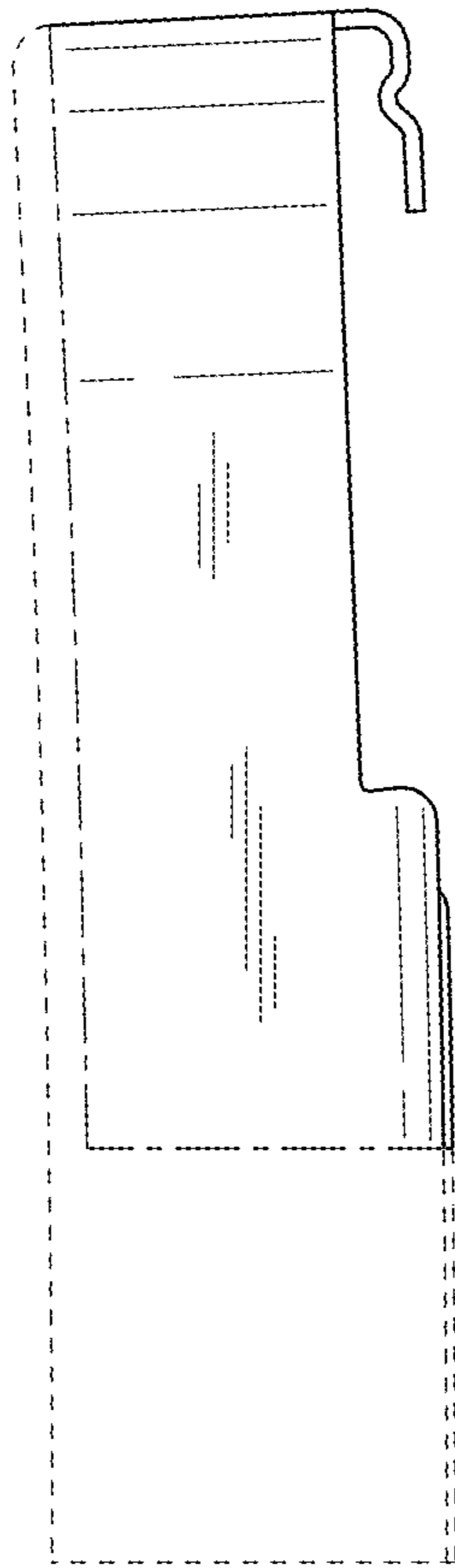
*FIG. 10*



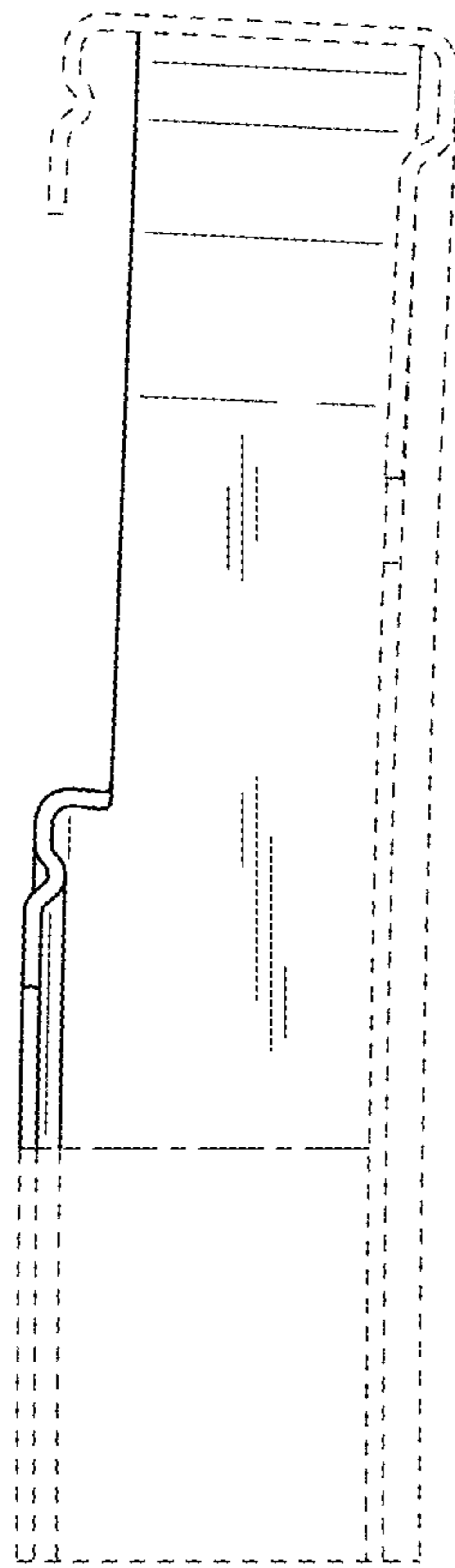
*FIG. 11*



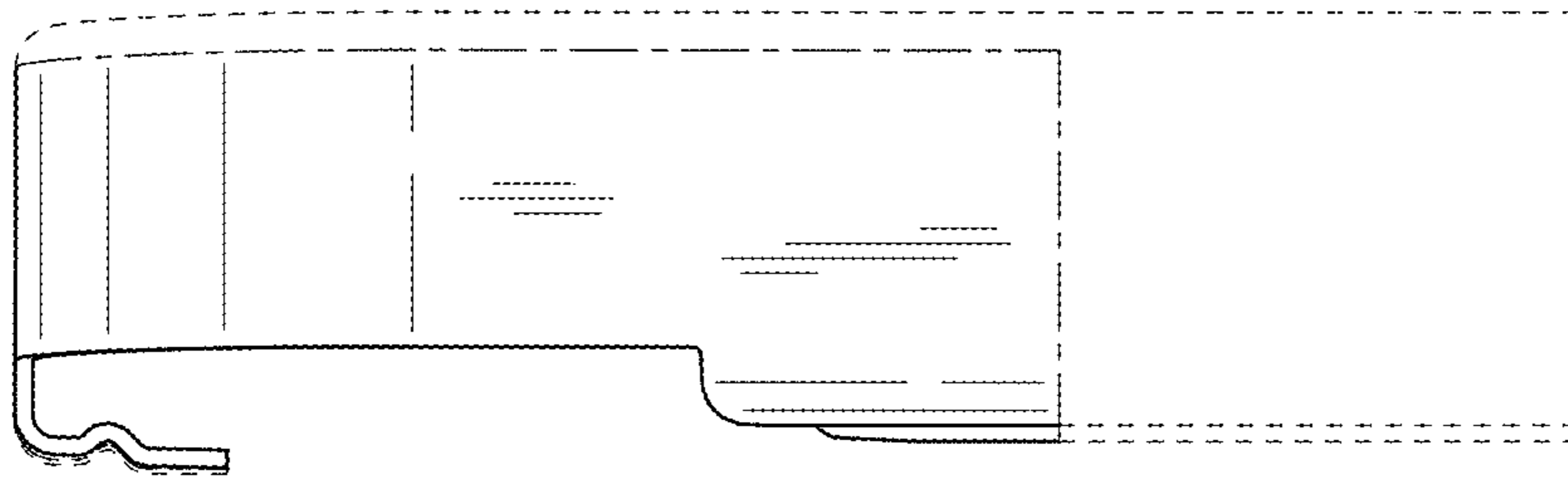
*FIG. 12*



*FIG. 13*



*FIG.14*



*FIG.15*

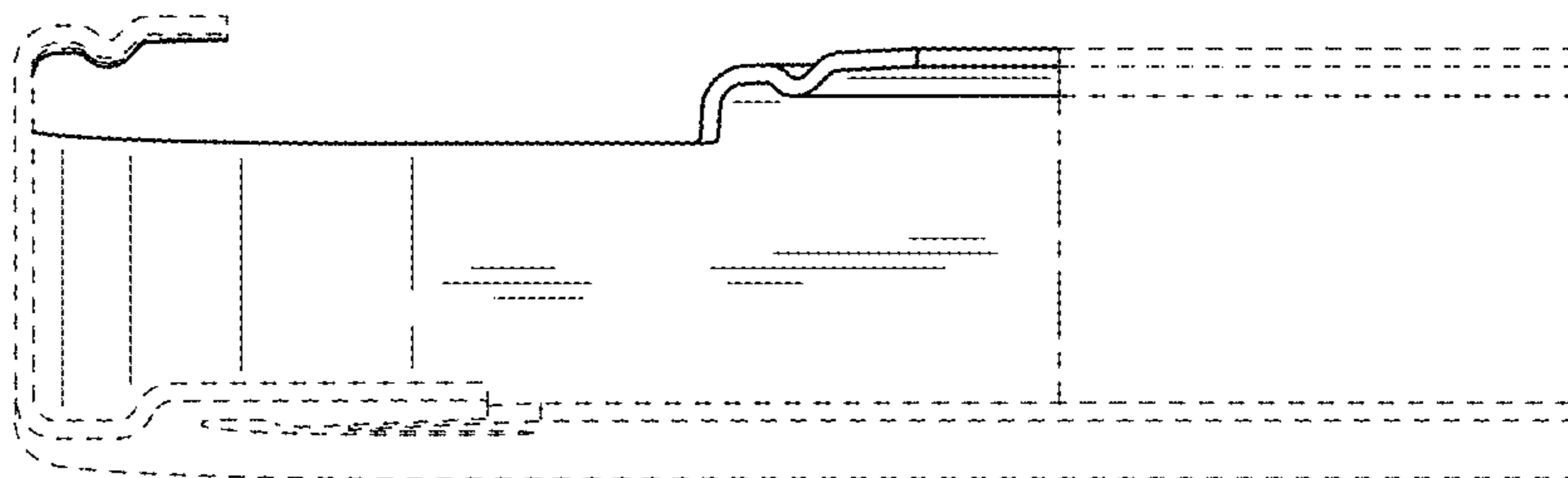


FIG.16

