

US00D846464S

(12) **United States Design Patent** (10) **Patent No.:** **US D846,464 S**
Zhao (45) **Date of Patent:** **** Apr. 23, 2019**

(54) **CAR HEAD UP DISPLAY**

(71) Applicant: **Lijun Zhao**, Henan (CN)

(72) Inventor: **Lijun Zhao**, Henan (CN)

(**) Term: **15 Years**

(21) Appl. No.: **29/629,900**

(22) Filed: **Dec. 18, 2017**

(51) **LOC (11) Cl.** **12-16**

(52) **U.S. Cl.**
USPC **D12/192**

(58) **Field of Classification Search**
CPC B60H 1/34; B60H 1/3407; B60H 1/3414;
B60H 1/3421; B60H 1/3428; B60H
1/3435; B60H 1/3442; B60H 1/345;
B60H 1/3457; B60H 2001/3464; B60H
2001/3471; B60H 2001/3478; B60H
2001/3485

See application file for complete search history.

(56) **References Cited**

U.S. PATENT DOCUMENTS

D762,153 S * 7/2016 Inagaki D12/192
D772,129 S * 11/2016 Ichikawa D12/192
D774,430 S * 12/2016 Bachorski D12/192

D777,069 S * 1/2017 Ahn D12/192
D797,022 S * 9/2017 Kumagai D12/192
D798,783 S * 10/2017 Li D12/192
D810,641 S * 2/2018 Bae D12/192
D813,128 S * 3/2018 Bischoff D12/192
D813,770 S * 3/2018 Einakian D12/192
D815,002 S * 4/2018 Niemiec D12/192
D836,049 S * 12/2018 Ryu D12/192
2017/0274773 A1 * 9/2017 Woodhouse B60K 35/00

* cited by examiner

Primary Examiner — Katrina A Betton

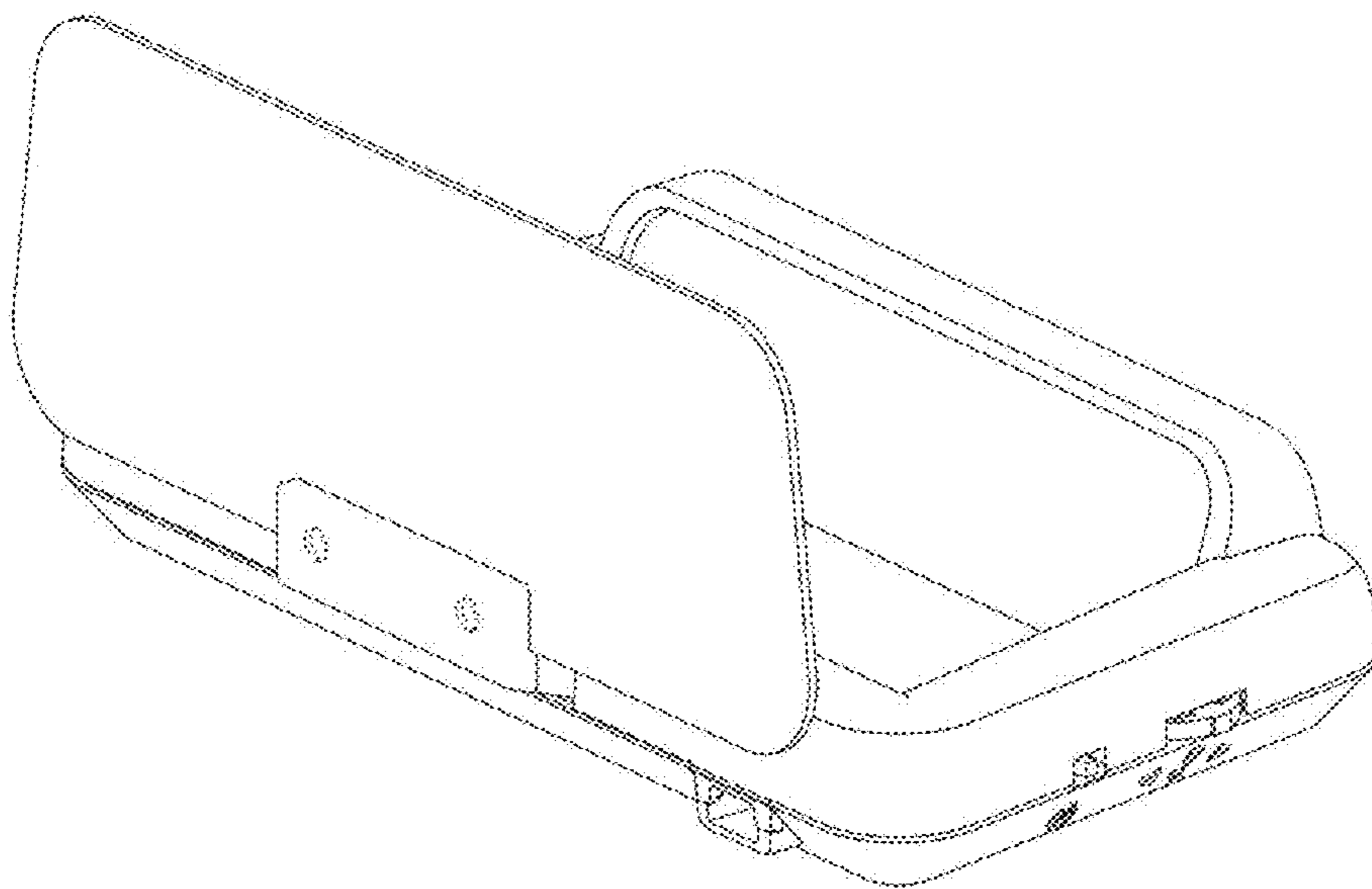
(57) **CLAIM**

The ornamental design for a car head up display, as shown and described.

DESCRIPTION

FIG. 1 is a perspective view of a car head up display showing my new design;
FIG. 2 is a perspective view of a car head up display showing my new design;
FIG. 3 is a front side view thereof;
FIG. 4 is a rear side view thereof;
FIG. 5 is a right side view thereof;
FIG. 6 is a left side view thereof;
FIG. 7 is a bottom plan view thereof; and,
FIG. 8 is a top plan view thereof.

1 Claim, 6 Drawing Sheets



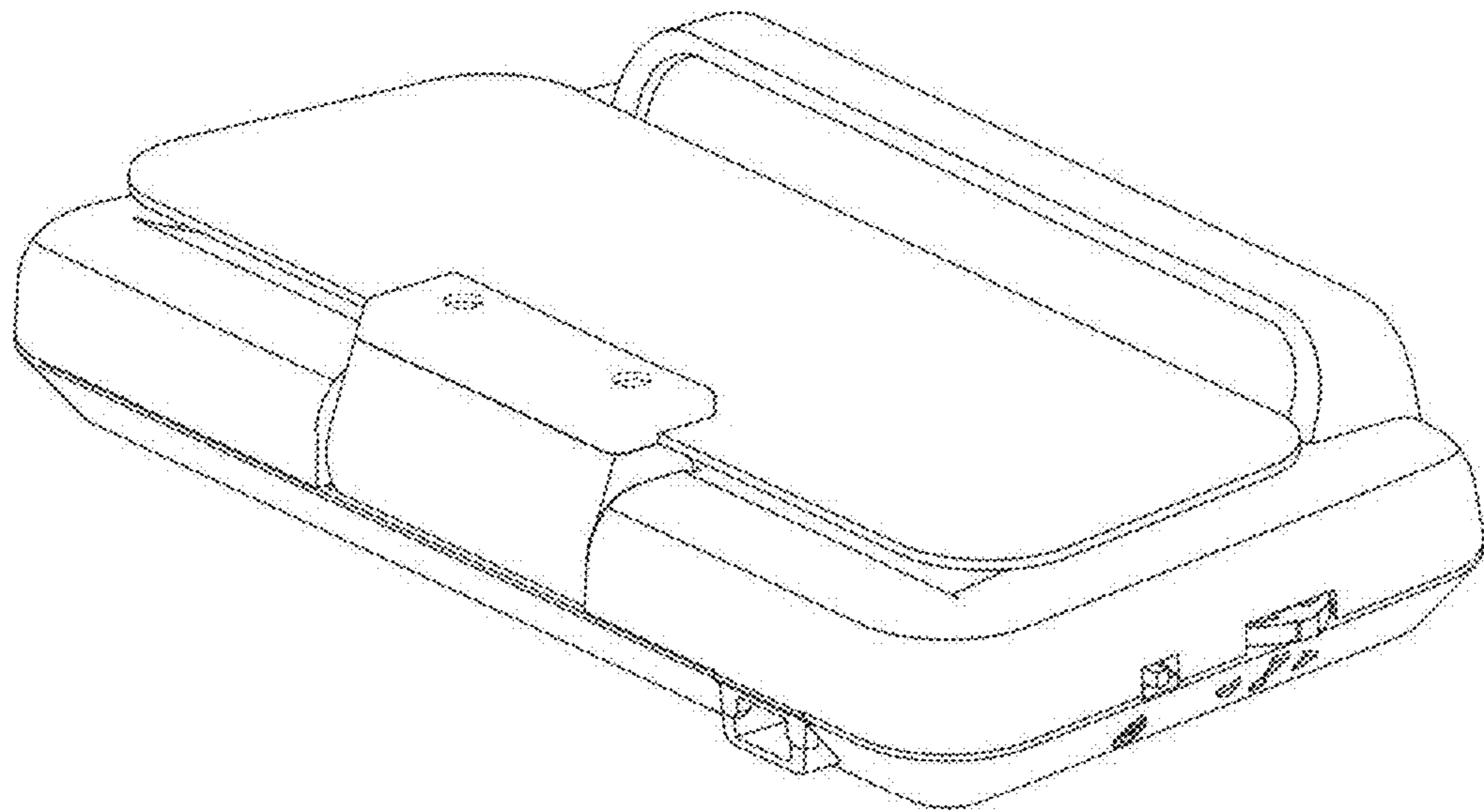


FIG.1

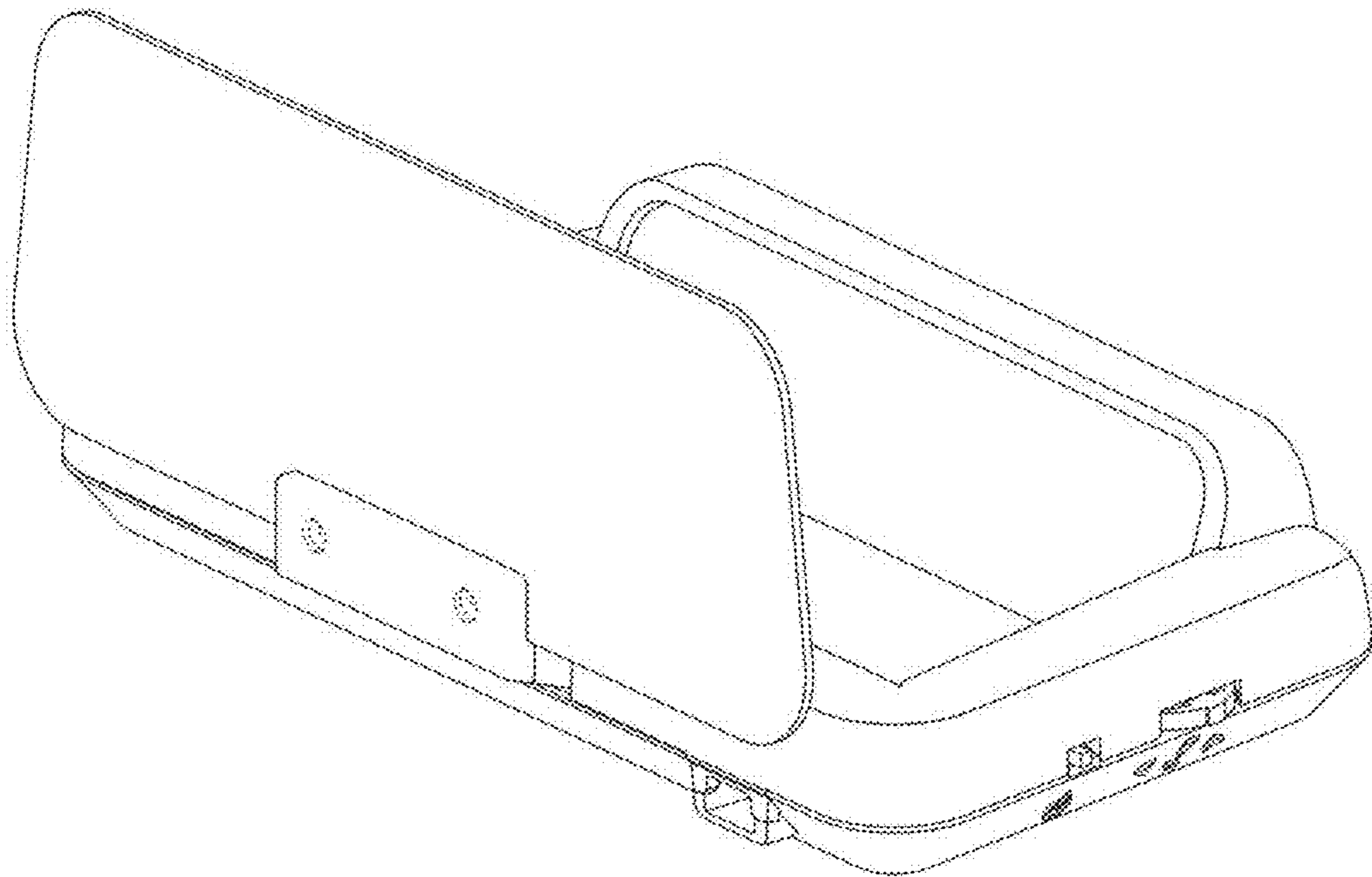


FIG.2

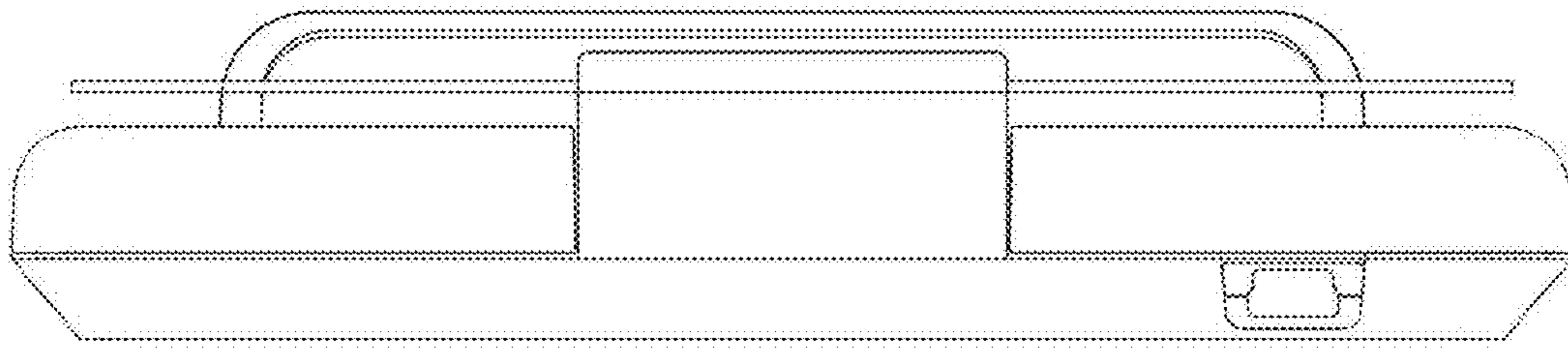


FIG.3

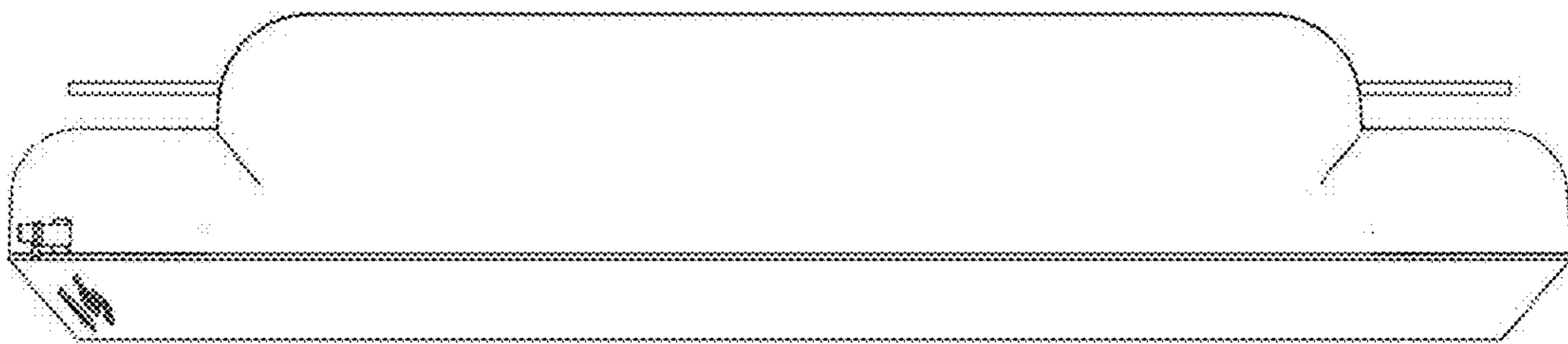


FIG.4

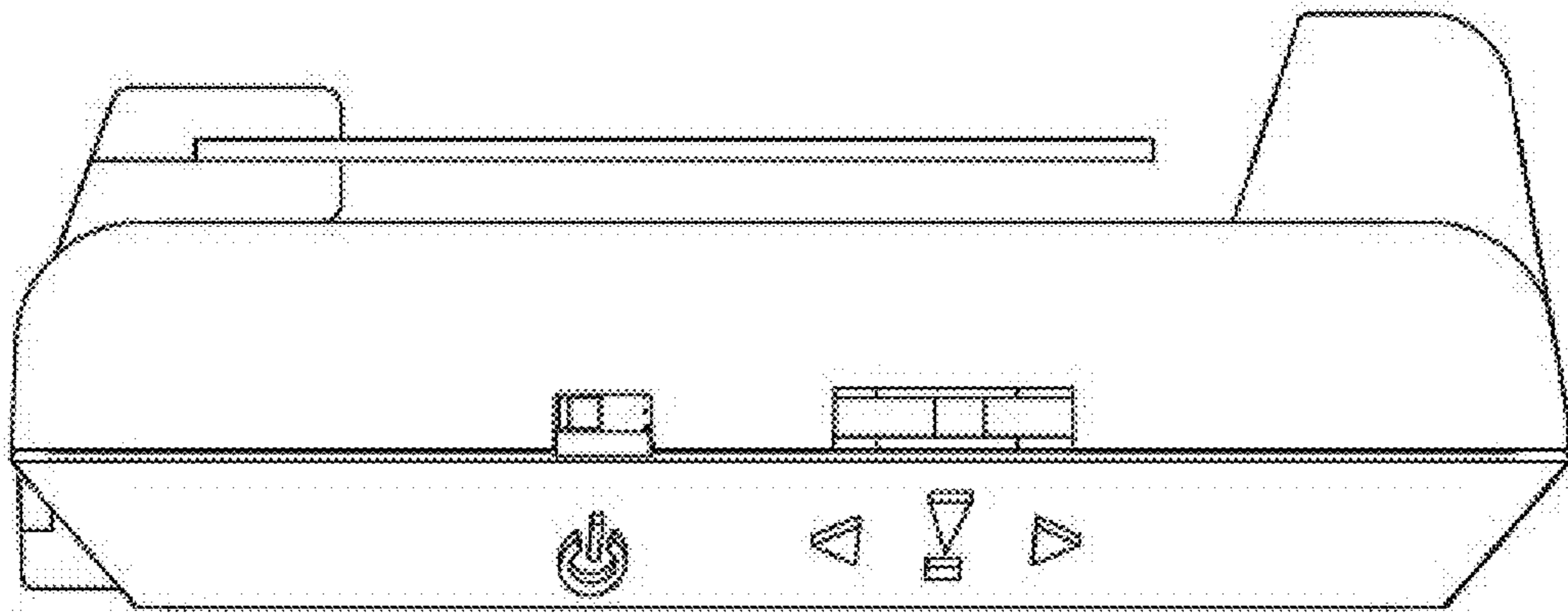


FIG. 5

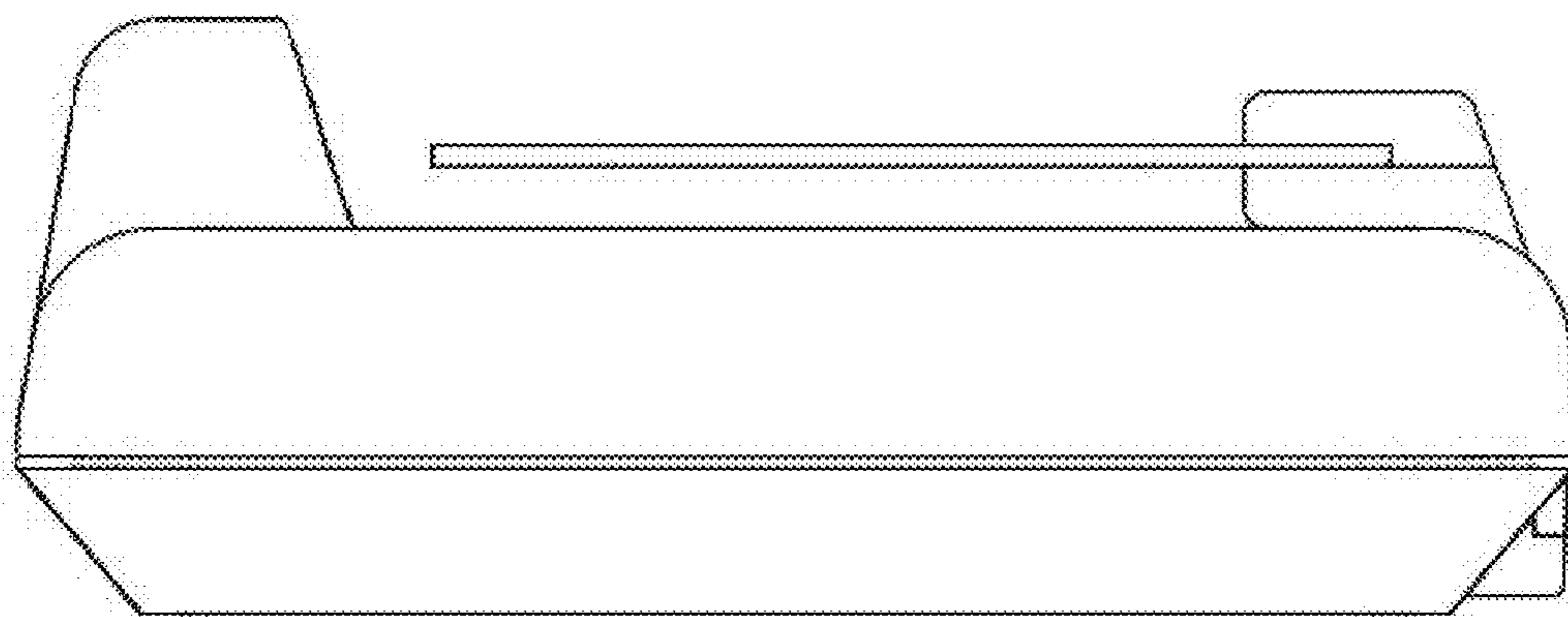


FIG. 6

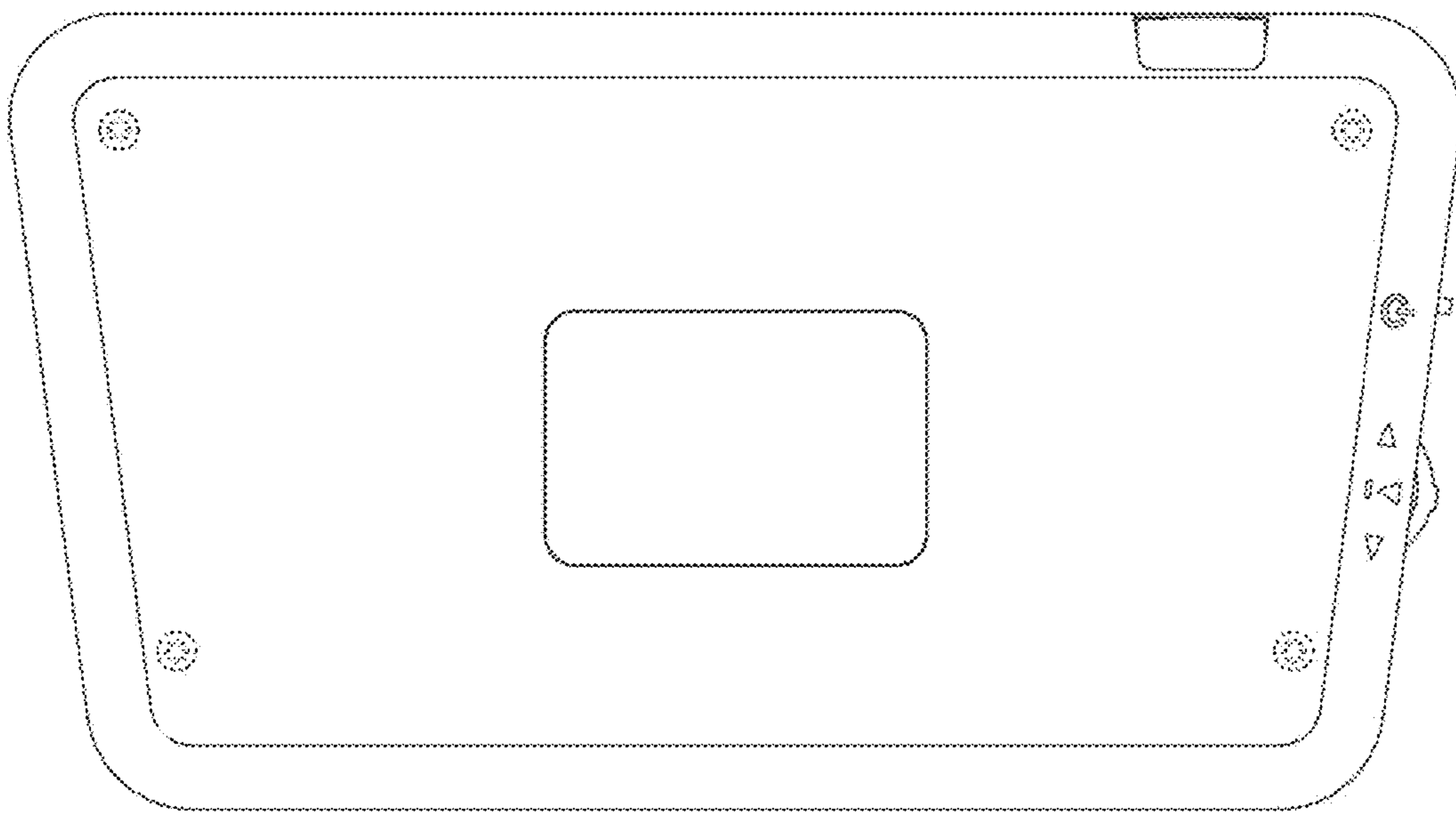


FIG. 7

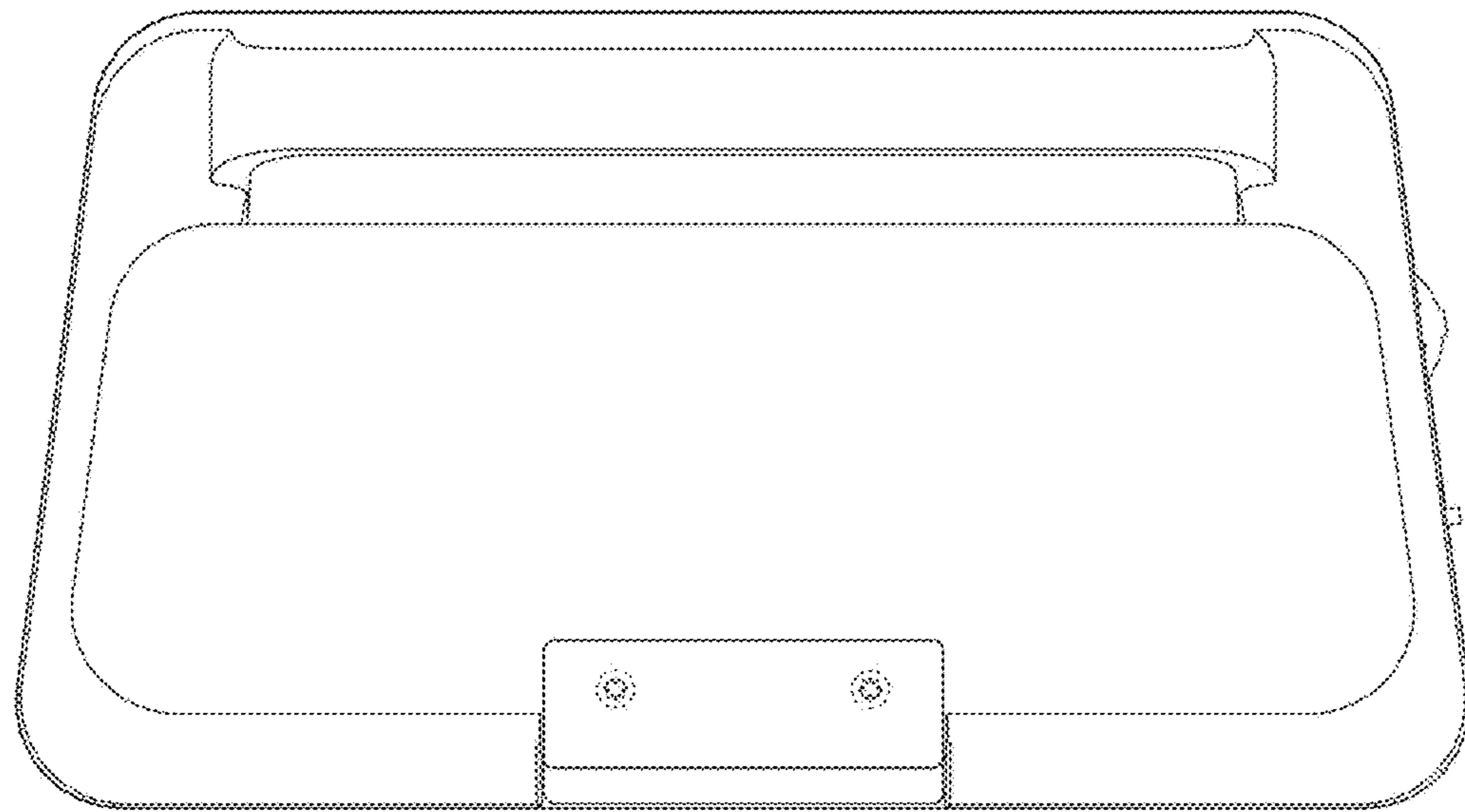


FIG. 8