



US00D846462S

(12) **United States Design Patent**
DiCanzio

(10) **Patent No.:** **US D846,462 S**

(45) **Date of Patent:** **** Apr. 23, 2019**

(54) **VEHICLE REAR BUMPER**

(71) Applicant: **Turn 5, Inc.**, Malvern, PA (US)

(72) Inventor: **Michael DiCanzio**, West Chester, PA (US)

(73) Assignee: **Turn 5, Inc.**, Paoli, PA (US)

(**) Term: **15 Years**

(21) Appl. No.: **29/626,380**

(22) Filed: **Nov. 16, 2017**

(51) **LOC (11) Cl.** **12-16**

(52) **U.S. Cl.**
USPC **D12/171; D12/169**

(58) **Field of Classification Search**
USPC D12/86, 90, 91, 92, 163, 164, 169, 171,
D12/196, 216
CPC B60R 19/02; B60R 19/18; B60R 19/24;
B60R 19/56; B60R 2019/007; B62D
25/0845

See application file for complete search history.

(56) **References Cited**

U.S. PATENT DOCUMENTS

D300,128 S *	3/1989	Brennan	D12/169
D375,067 S *	10/1996	Bronstein	D12/169
D432,469 S *	10/2000	Nelson	D12/169
D454,098 S *	3/2002	McGuinness	D12/171
D455,988 S *	4/2002	McGuinness	D12/171
D502,433 S *	3/2005	McClanahan	D12/169
7,703,834 B1 *	4/2010	Hardy	B60R 9/06 296/102
D744,384 S *	12/2015	Harriton	D12/169
D744,387 S *	12/2015	Harriton	D12/169
D751,012 S *	3/2016	Hare	D12/169
D760,133 S *	6/2016	Bennett	D12/171
D771,537 S *	11/2016	Hare	D12/169

D775,013 S *	12/2016	Bennett	D12/169
D775,016 S *	12/2016	Reynolds	D12/171
D776,582 S *	1/2017	Bennett	D12/169
D777,619 S *	1/2017	Barajas	D12/167
D792,817 S *	7/2017	McMath	D12/169
D792,818 S *	7/2017	McMath	D12/169
D793,304 S *	8/2017	McMath	D12/169
D794,519 S *	8/2017	McMath	D12/169
D796,399 S *	9/2017	Steen	D12/169
D800,036 S *	10/2017	Bennett	D12/169
D826,115 S *	8/2018	Chi	D12/172
D833,922 S *	11/2018	DiCanzio	D12/163
2017/0088076 A1 *	3/2017	Fujimoto	B60R 19/44

* cited by examiner

Primary Examiner — Darlington Ly

(74) *Attorney, Agent, or Firm* — Schott, P.C.

(57) **CLAIM**

The ornamental design for a vehicle rear bumper, as shown and described.

DESCRIPTION

FIG. 1 is a top, front, and right side perspective view of a vehicle rear bumper showing my new design;
FIG. 2 is a bottom, front, and left side perspective view thereof;

FIG. 3 is a front elevation view thereof;

FIG. 4 is a rear elevation view thereof;

FIG. 5 is a top plan view thereof;

FIG. 6 is a bottom plan view thereof;

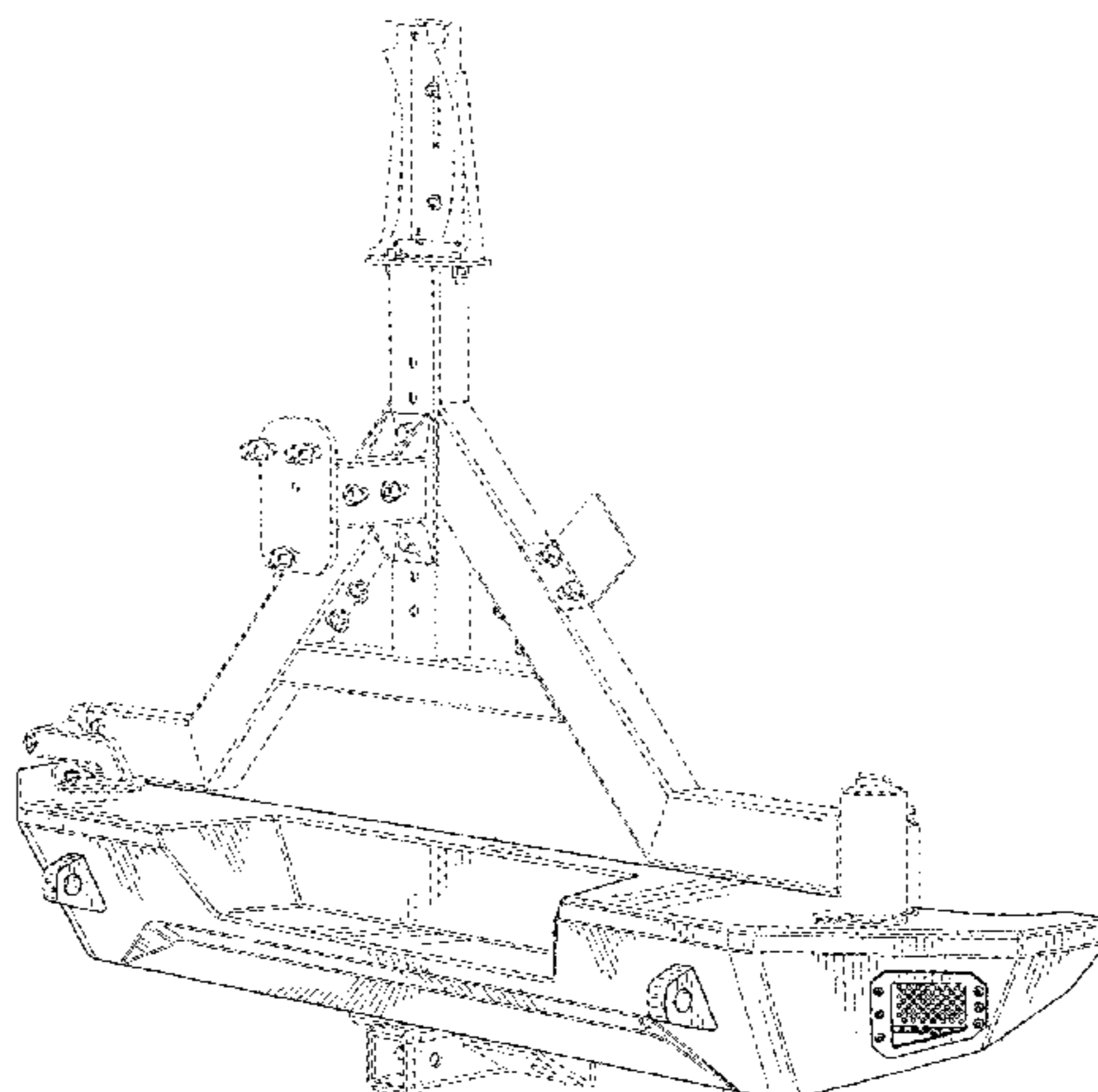
FIG. 7 is a right side elevation view thereof;

FIG. 8 is a left side elevation view thereof; and,

FIG. 9 is a top, front, and right side perspective view thereof when installed on an exemplary vehicle.

The broken lines in the drawings illustrate portions of the vehicle rear bumper and an environmental vehicle structure that do not form part of the claimed design.

1 Claim, 7 Drawing Sheets



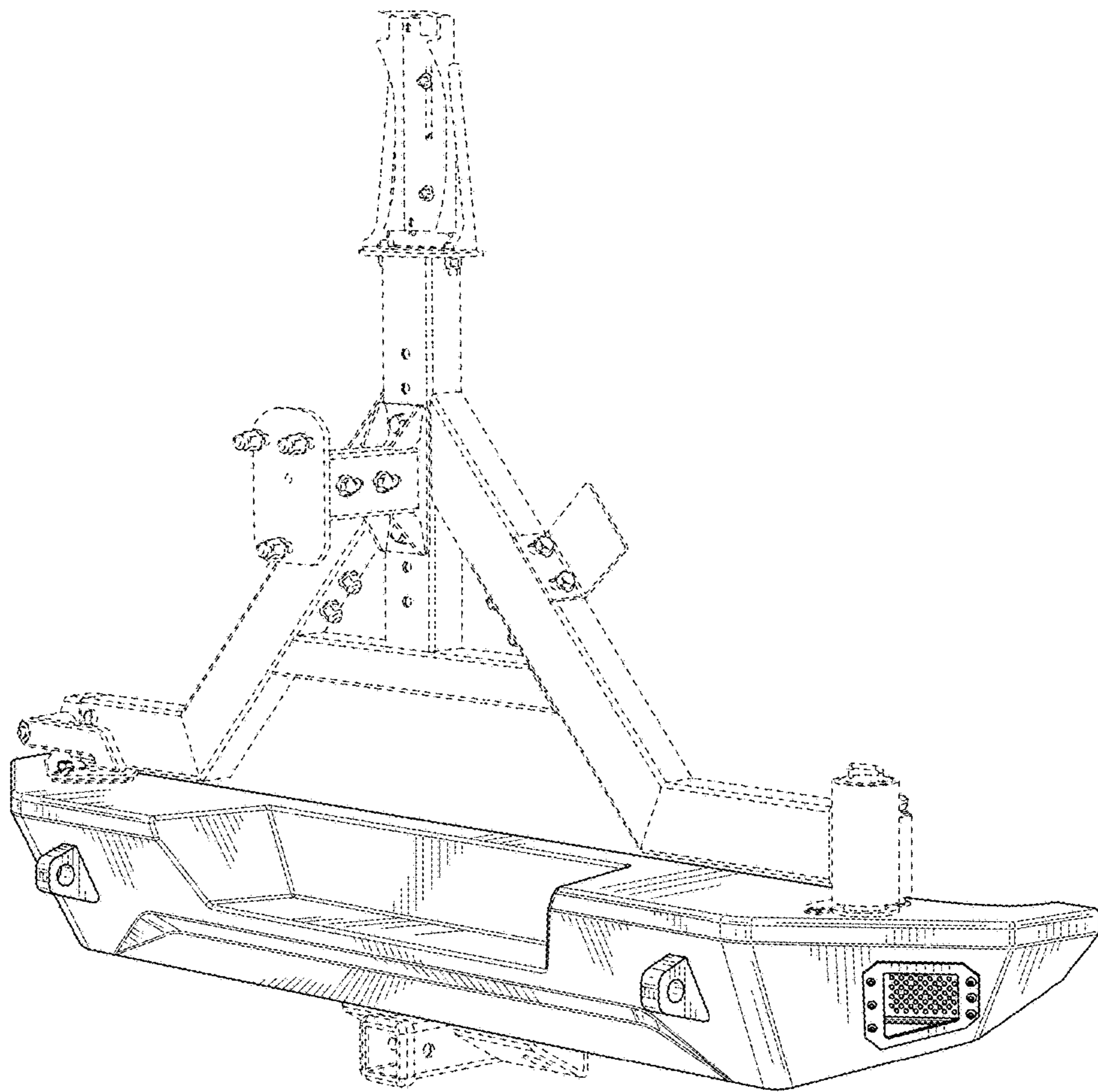


FIG. 1

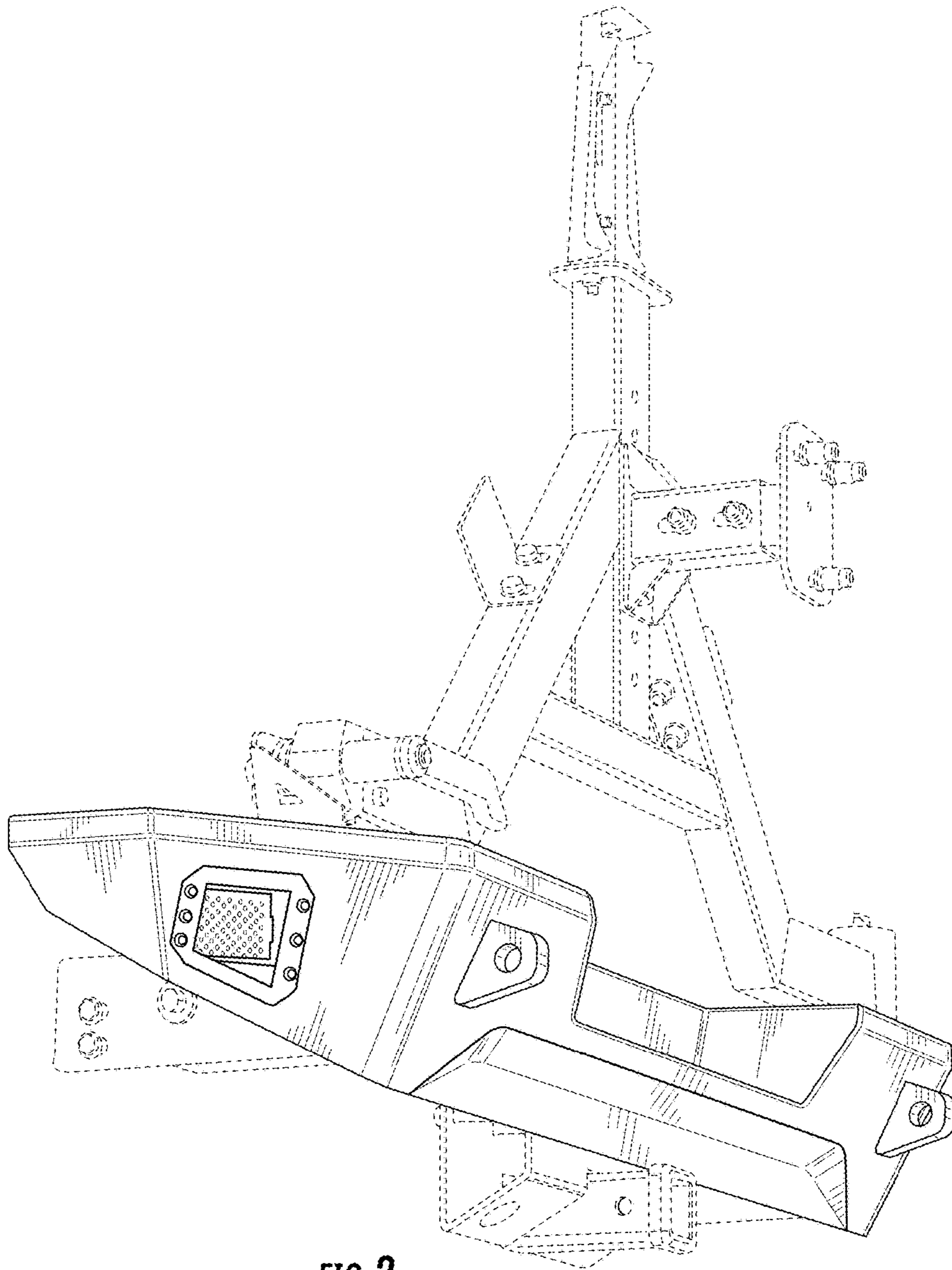


FIG. 2

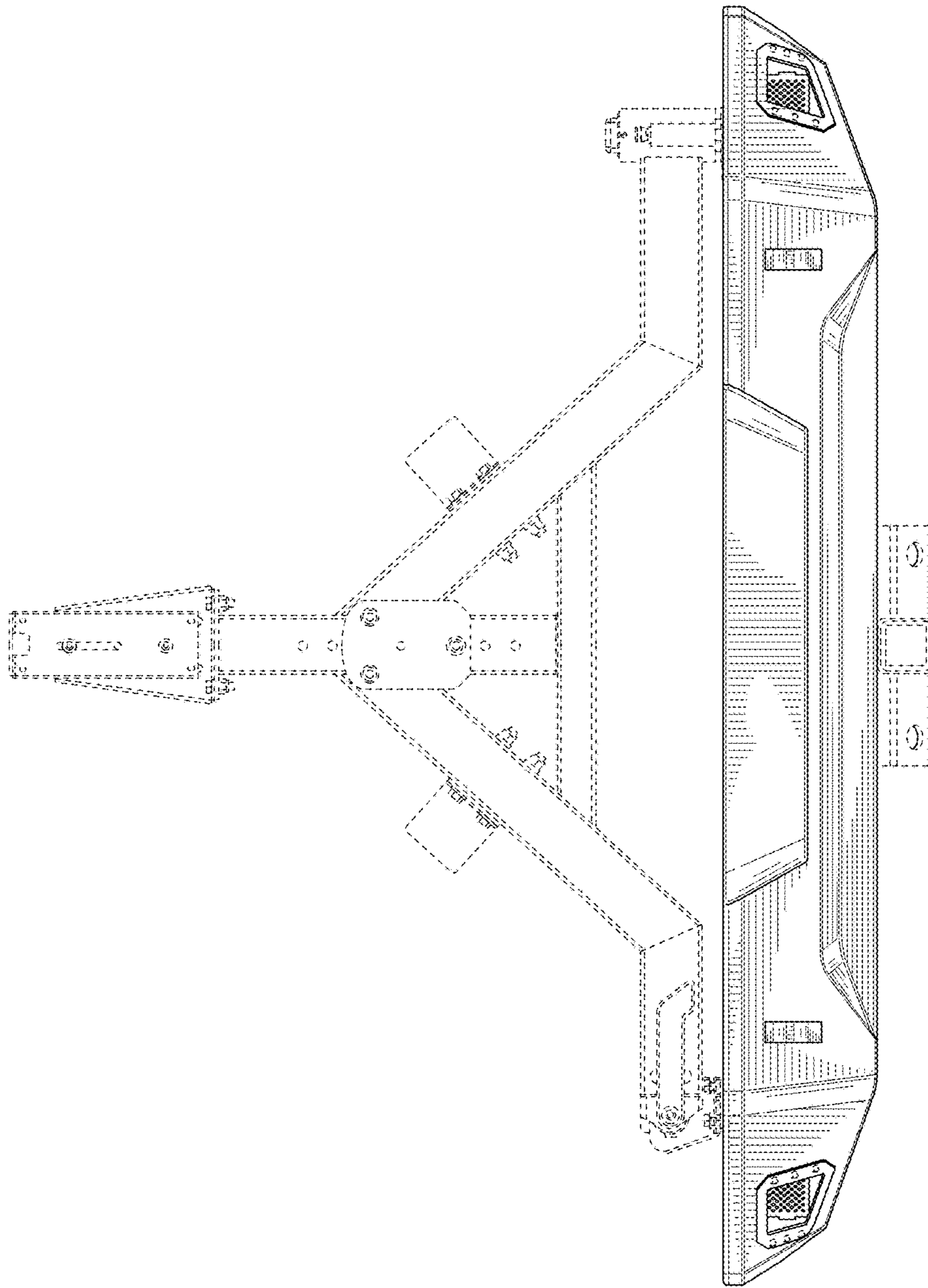


FIG. 3

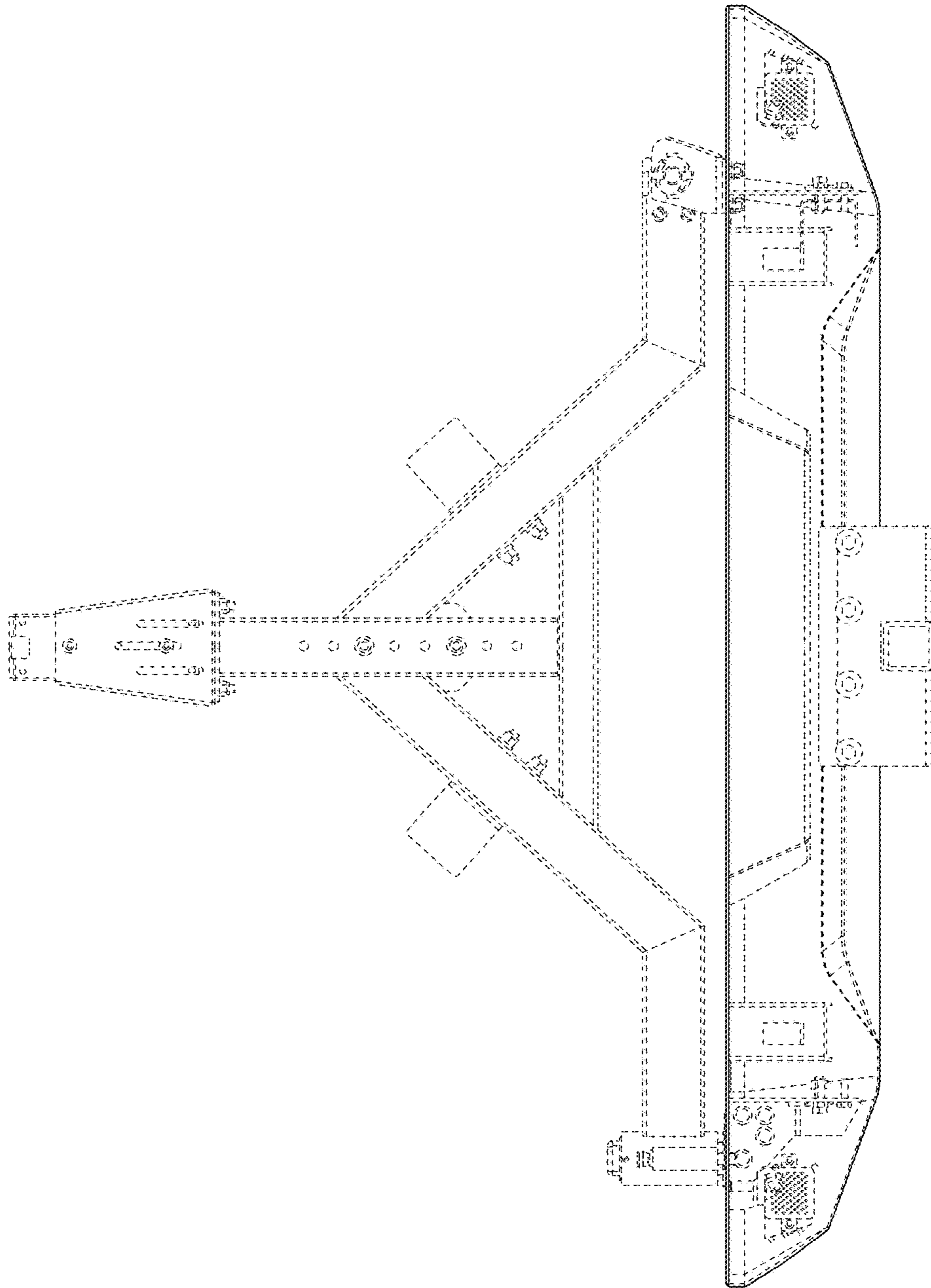


FIG. 4

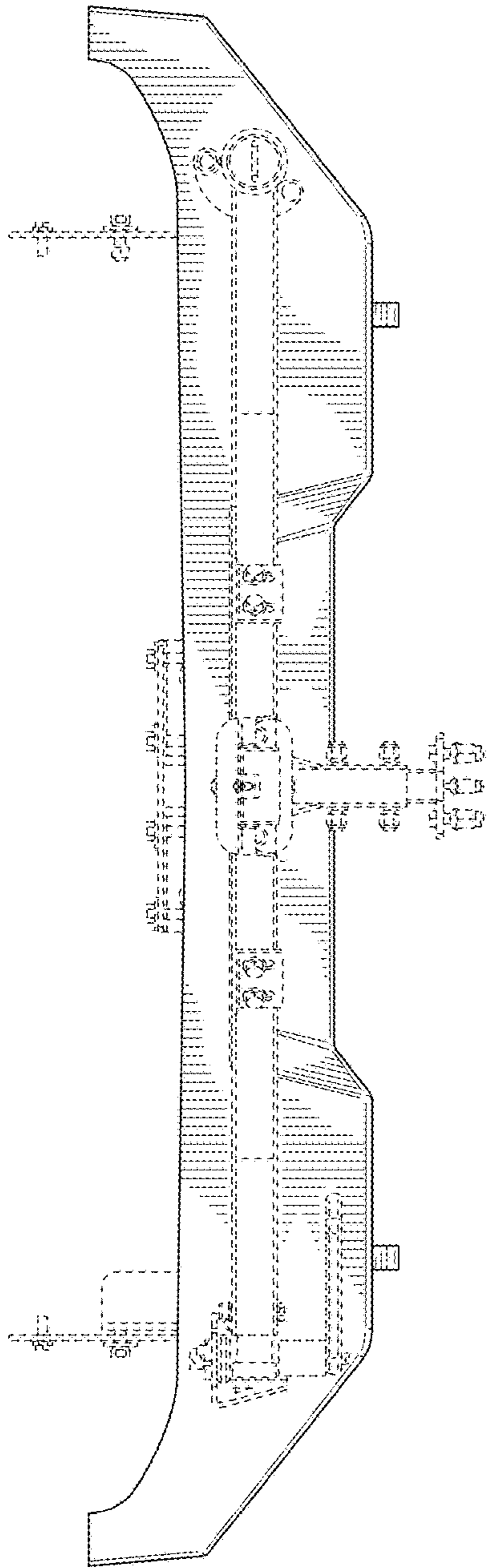


FIG. 5

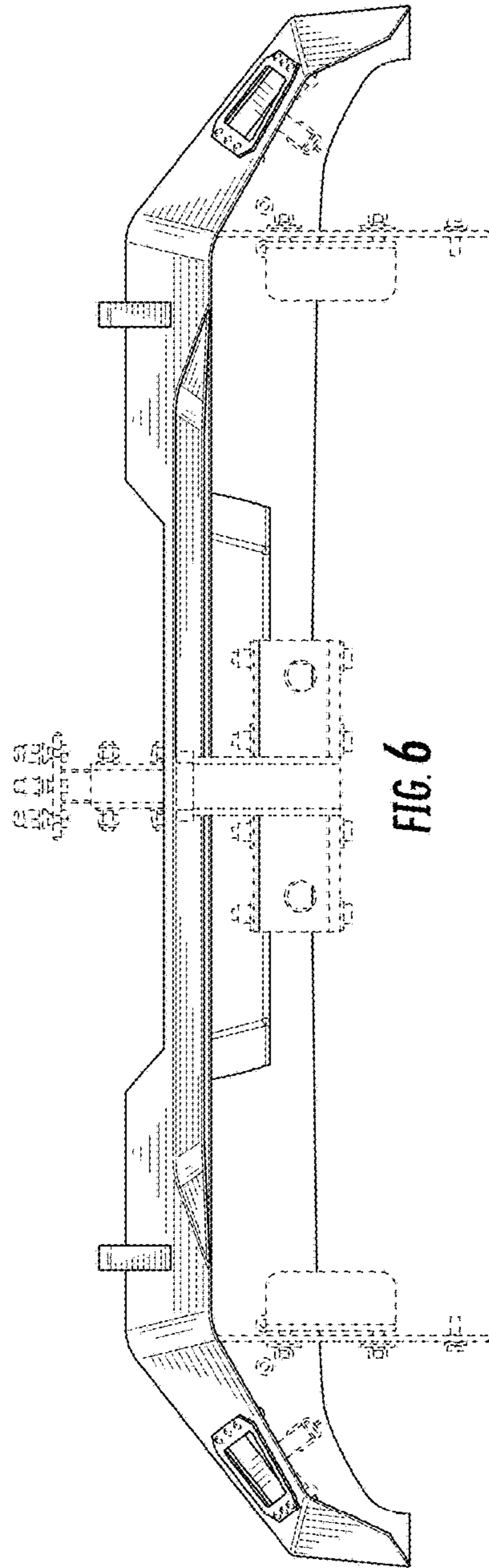


FIG. 6

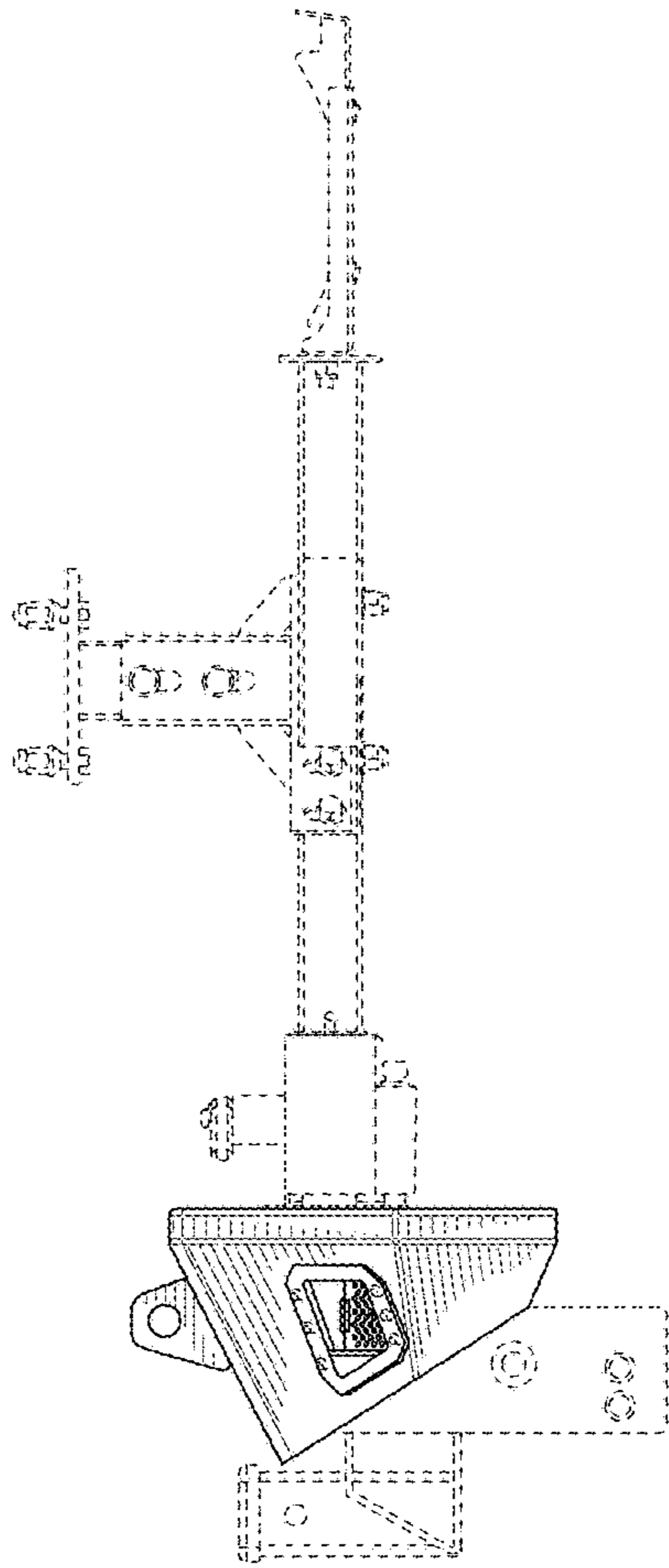


FIG. 7

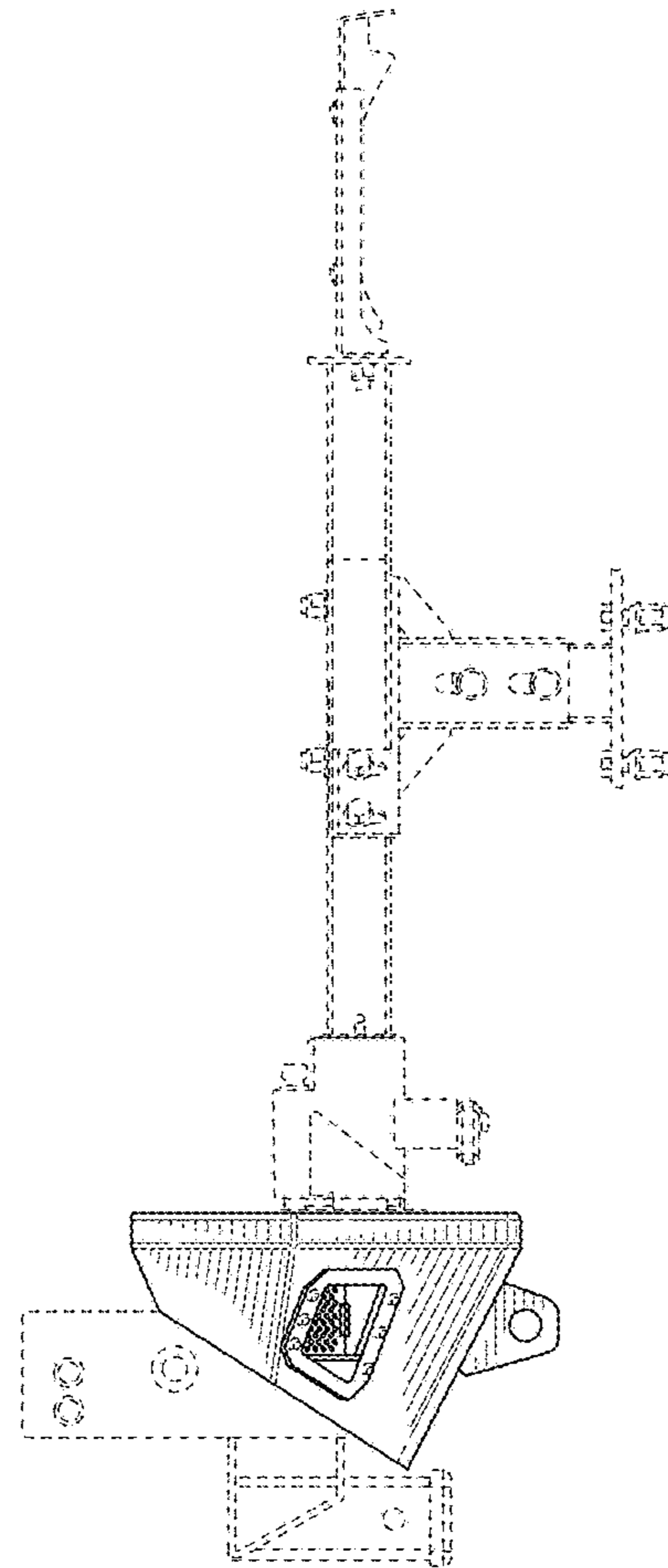


FIG. 8

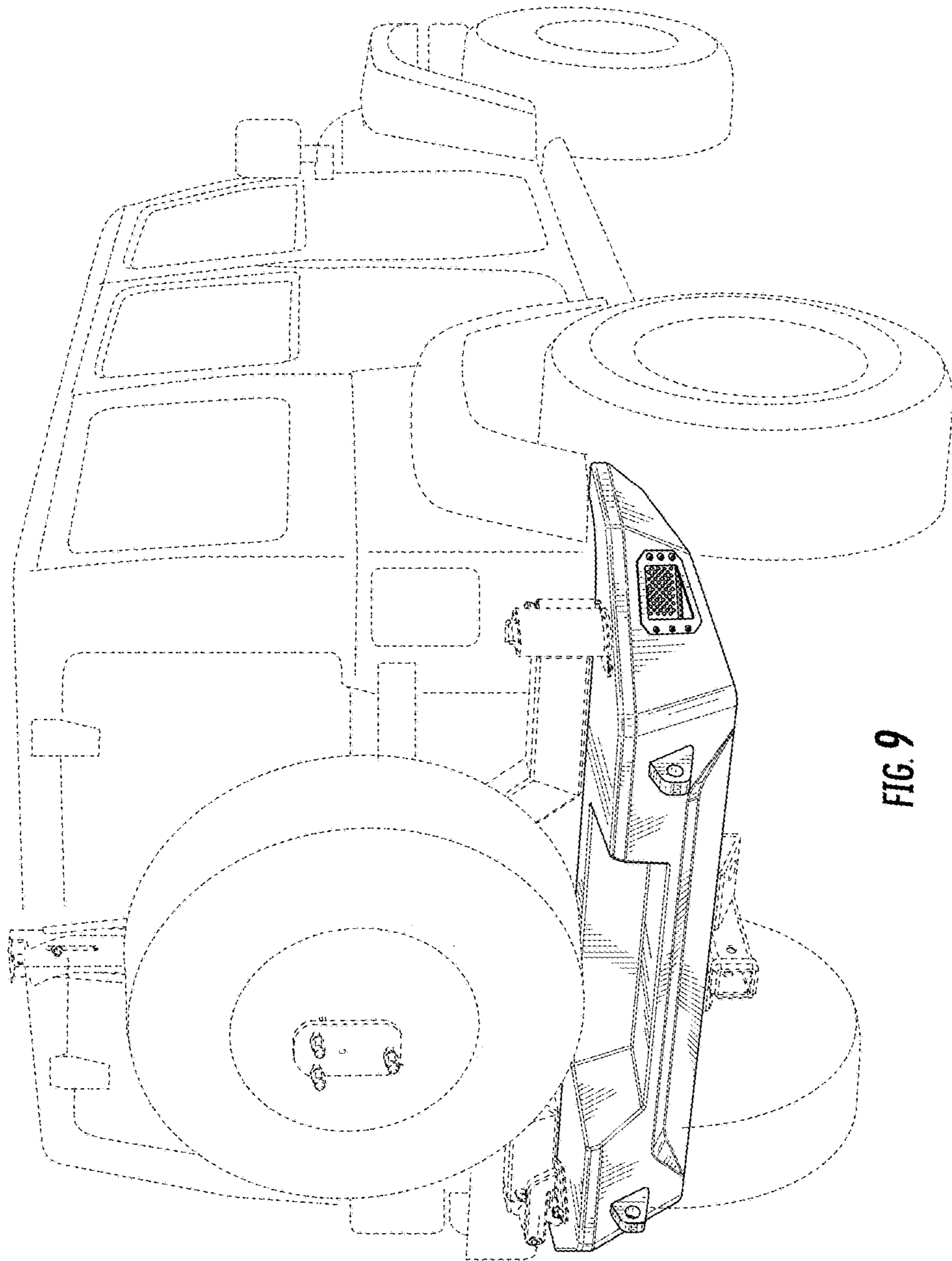


FIG. 9