

US00D846454S

(12) **United States Design Patent**
Ristell

(10) **Patent No.:** **US D846,454 S**

(45) **Date of Patent:** **** Apr. 23, 2019**

(54) **SHOCK ABSORBER**

(71) Applicant: **Ironman 4x4 Pty. Ltd.**, Victoria (AU)

(72) Inventor: **Kristian Ristell**, Victoria (AU)

(73) Assignee: **IRONMAN 4 X 4 PTY. LTD.**, Victoria (AU)

(**) Term: **15 Years**

(21) Appl. No.: **29/590,008**

(22) Filed: **Jan. 6, 2017**

(30) **Foreign Application Priority Data**

Jul. 7, 2016 (AU) 201613571

(51) **LOC (11) Cl.** **12-16**

(52) **U.S. Cl.**
USPC **D12/159**

(58) **Field of Classification Search**
USPC D12/159-162
CPC . B60D 1/00; B60D 1/01; B60D 1/145; B60D 1/155; B60D 1/167; B60D 1/1675; B60D 1/243; B60D 1/40; B60G 13/00
See application file for complete search history.

(56) **References Cited**

U.S. PATENT DOCUMENTS

3,492,022 A * 1/1970 Hansen B60D 1/167
280/478.1
5,685,554 A * 11/1997 Poxleitner B60D 1/167
280/491.2
D400,147 S * 10/1998 Gipson D12/180
D444,434 S * 7/2001 Appleton D12/162
6,419,257 B1 * 7/2002 McCoy B60D 1/167
280/406.2
D484,442 S * 12/2003 Mueller D12/161
7,188,842 B2 * 3/2007 Thorpe B60S 9/06
280/6.153
7,390,007 B2 * 6/2008 Helms B60D 1/167
280/491.1
D596,087 S * 7/2009 Brown D12/159

(Continued)

FOREIGN PATENT DOCUMENTS

CA 2322148 A1 * 4/2001 B60D 1/167
GB 2286165 A * 8/1995 B60D 1/155

(Continued)

OTHER PUBLICATIONS

Genuine Mercedes Shock Absorber, posted at eEuroparts, posting date Dec. 30, 2015. [site visited Jun. 21, 2018] [Available from Internet] URL: <https://web.archive.org/web/20151230232258/https://www.eeuroparts.com/Parts/74049/Shock-Absorber-Rear-1643203031/> (Year: 2015).*

(Continued)

Primary Examiner — Kevin K Rudzinski

Assistant Examiner — Kathleen L Jones

(74) *Attorney, Agent, or Firm* — Workman Nydegger

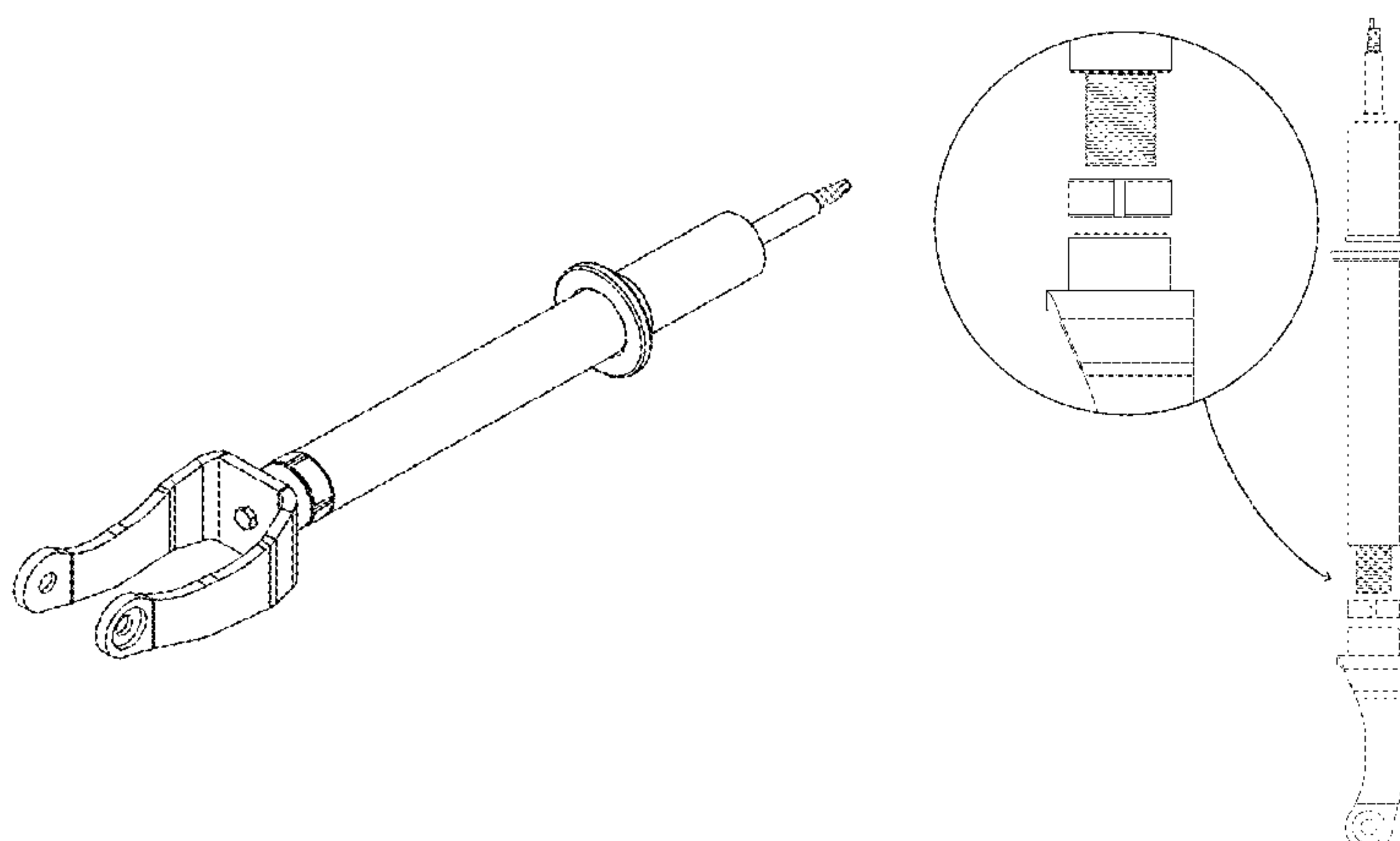
(57) **CLAIM**

The ornamental design for a shock absorber, as shown and described.

DESCRIPTION

FIG. 1 is a perspective view of the shock absorber.
FIG. 2 is a front view of the shock absorber.
FIG. 3 is a side view of the shock absorber.
FIG. 4 is a perspective view of the shock absorber in an exploded state, including an enlarged detail view of a portion thereof for clarity of illustration.
FIG. 5 is a front view of the shock absorber in an exploded state, including an enlarged detail view of a portion thereof for clarity of illustration; and,
FIG. 6 is a side view of the shock absorber in an exploded state, including an enlarged detail view of a portion thereof for clarity of illustration.

1 Claim, 5 Drawing Sheets



(56)

References Cited

U.S. PATENT DOCUMENTS

D610,953	S *	3/2010	Eckhart	D12/162
7,938,431	B1 *	5/2011	Snyder	B60D 1/01 280/491.5
D664,077	S *	7/2012	Dorsey	D12/162
9,221,313	B2 *	12/2015	Heitlinger	B60D 1/249
2003/0132607	A1 *	7/2003	Pan	B60D 1/155 280/491.5
2013/0031763	A1 *	2/2013	Kliskey	B25B 27/0035 29/426.6
2014/0238797	A1 *	8/2014	Blankenship	B60G 13/00 188/314
2017/0240835	A1 *	8/2017	Yang	C10M 107/38

FOREIGN PATENT DOCUMENTS

GB	2363766	A *	1/2002	B60D 1/66
WO	WO-9821057	A1 *	5/1998	B60D 1/00

OTHER PUBLICATIONS

Front Shock Absorber for Cars with Air Suspension, posted at ECS, posting date Apr. 27, 2011. [site visited Jun. 21, 2018] [Available form Internet] URL: <<https://www.ecstuning.com/b-genuine-porsche-parts/front-shock-absorber-for-cars-with-air-suspension/95534304321/>> (Year: 2011).*

2 Front Gas Strut Shock Absorber, posted at OnlineAutoParts, posting date May 9, 2015. [site visited Jun. 21, 2018] [Available form Internet] URL: <<https://www.onlineautoparts.com.au/products/2-Front-Gas-Strut-Shock-Absorber-Shock-Absorber-Ultima/ZPN-02187>> (Year: 2015).*

* cited by examiner

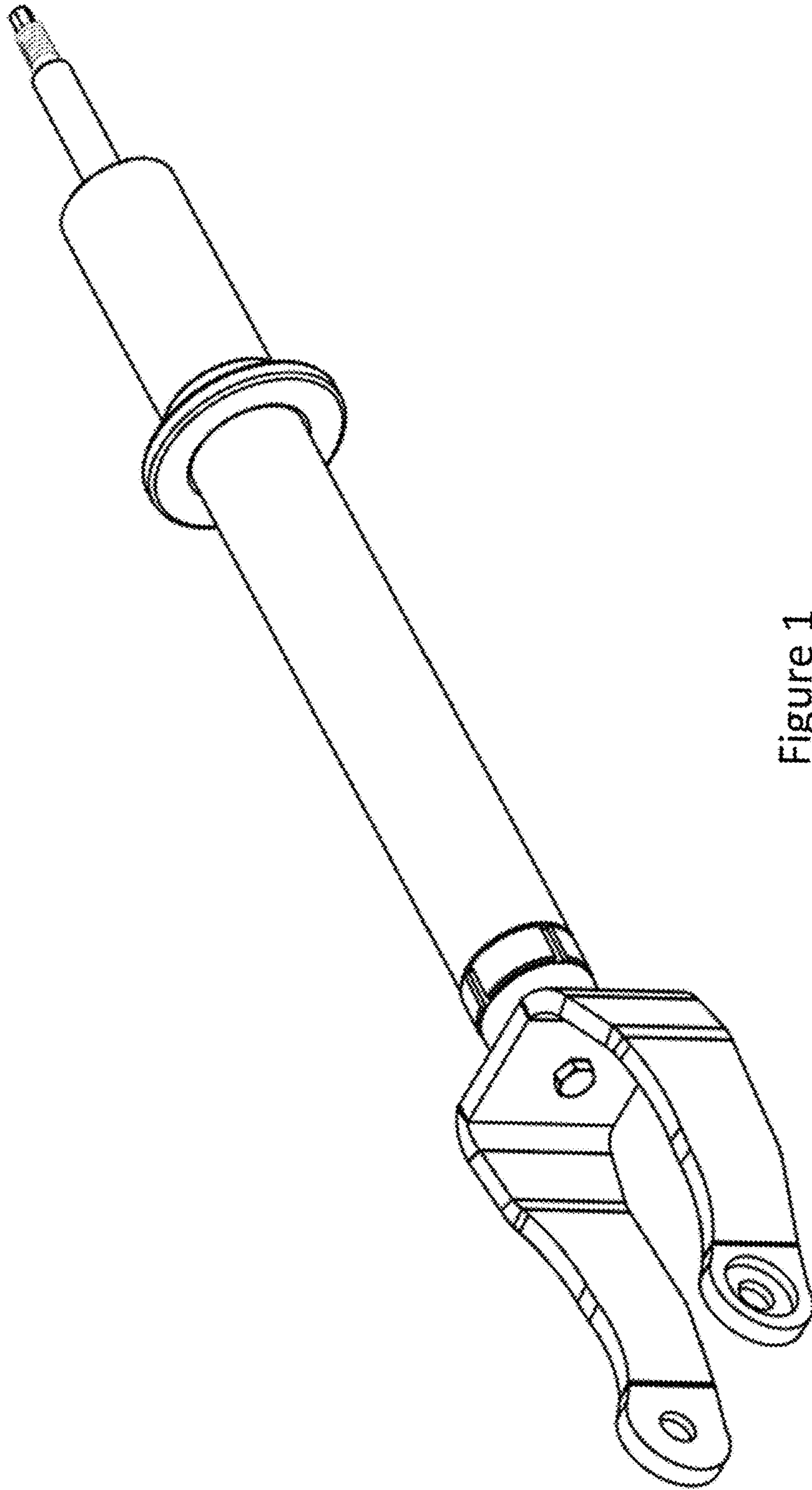


Figure 1

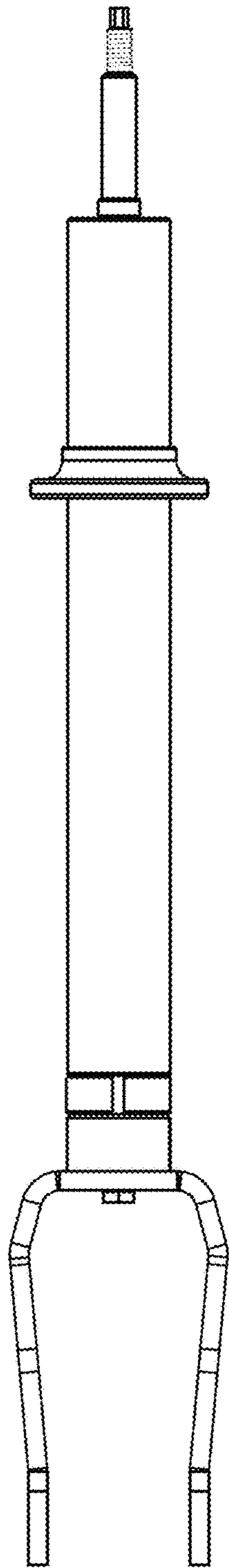


Figure 2

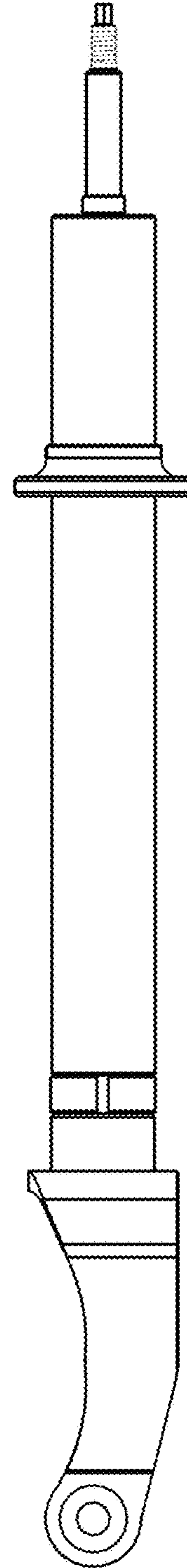


Figure 3

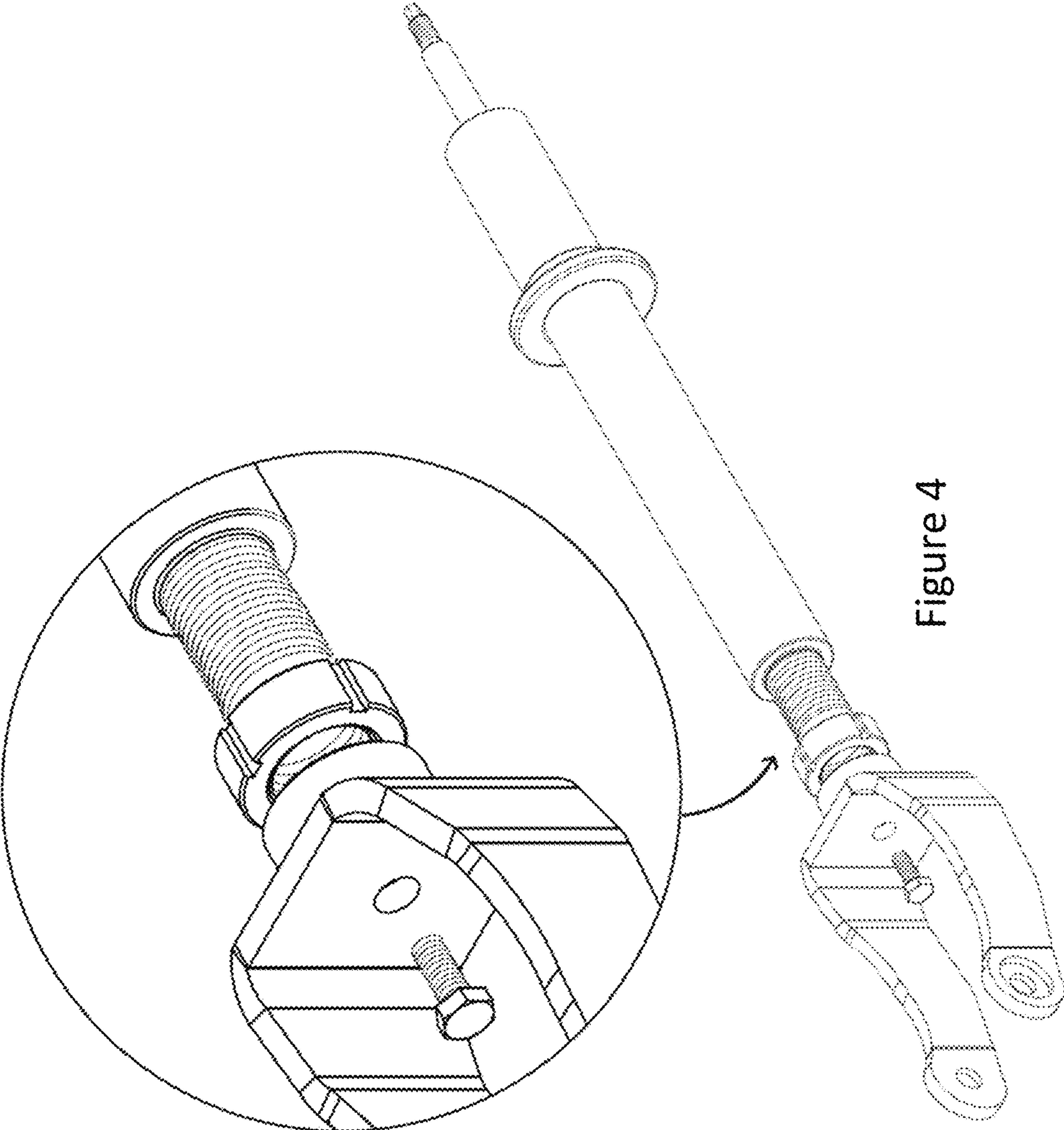


Figure 4

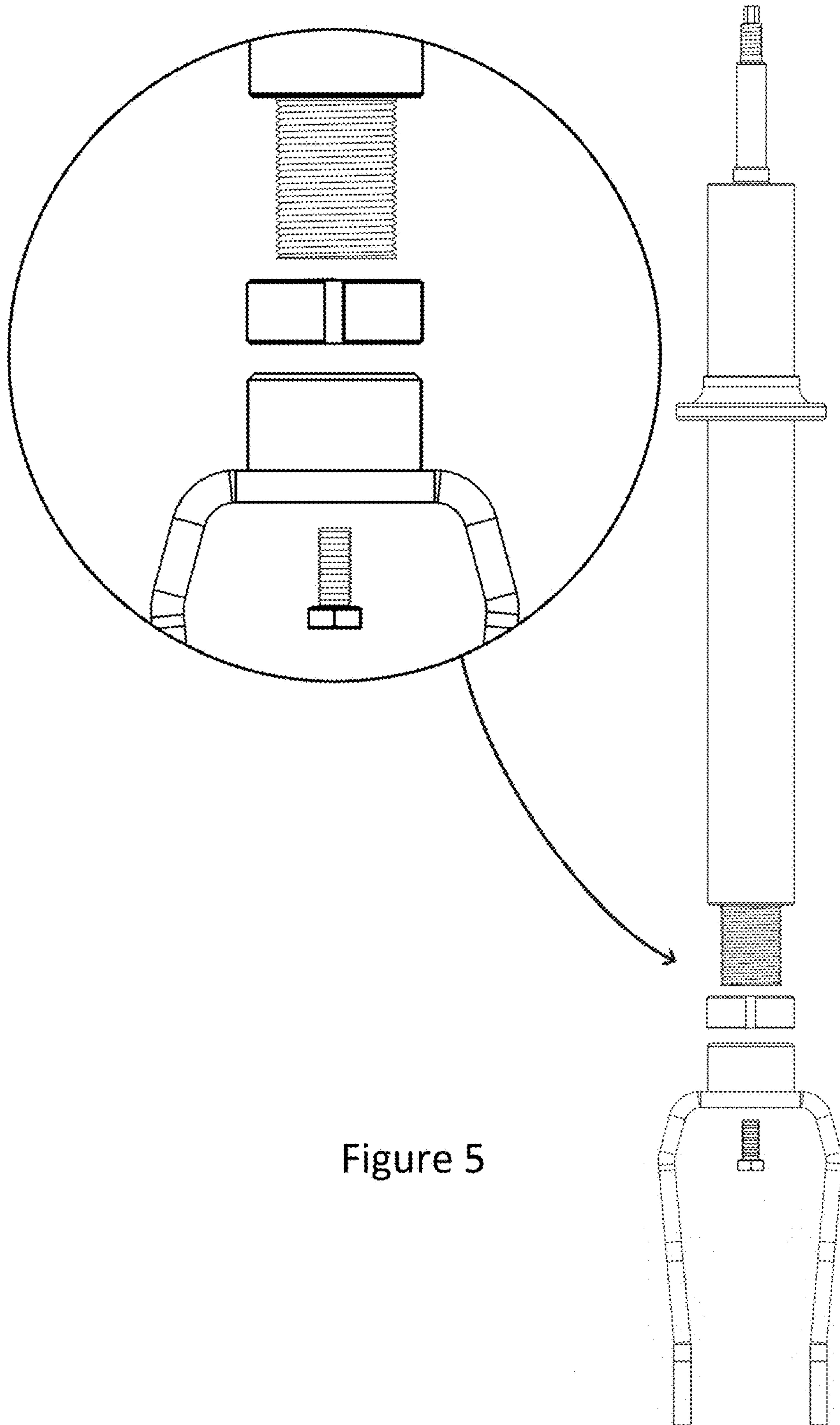


Figure 5

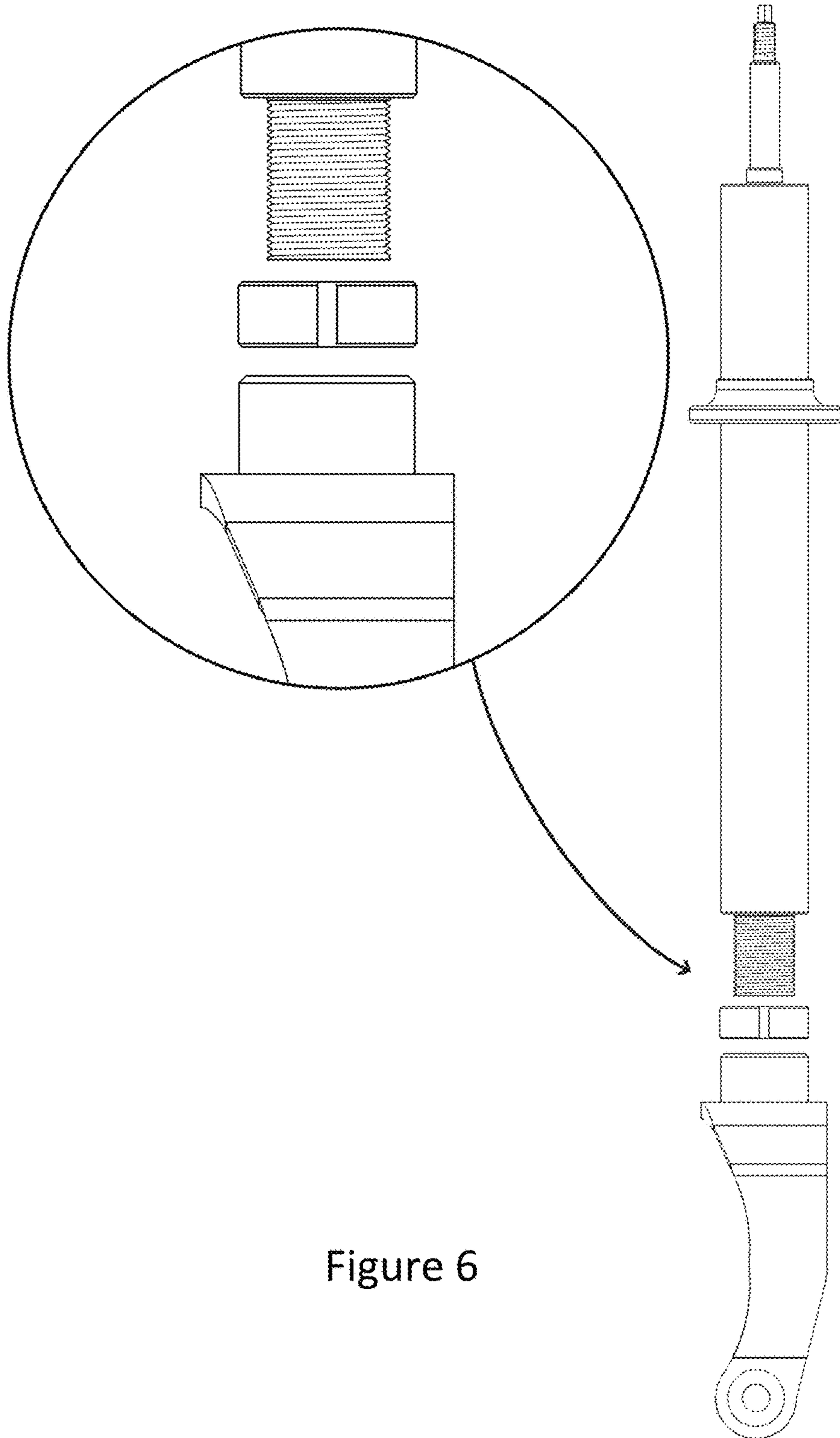


Figure 6