



US00D846451S

(12) **United States Design Patent** (10) **Patent No.:** **US D846,451 S**
Carbonara et al. (45) **Date of Patent:** **** Apr. 23, 2019**

(54) **REAR COVER FOR A MOTORCYCLE**
 (71) Applicant: **HONDA MOTOR CO., LTD.**, Tokyo (JP)
 (72) Inventors: **Maurizio Carbonara**, Rome (IT); **Andrea Vitaloni**, Rome (IT)
 (73) Assignee: **HONDA MOTOR CO., LTD.**, Tokyo (JP)

(**) Term: **15 Years**

(21) Appl. No.: **29/618,549**

(22) Filed: **Sep. 21, 2017**

(51) **LOC (11) Cl.** **12-11**

(52) **U.S. Cl.**
USPC **D12/126; D12/114**

(58) **Field of Classification Search**
USPC D12/110, 114, 126, 182, 184, 186
CPC ... B62J 17/00; B62J 17/02; B62J 17/04; B62J 23/00; B62K 11/00; B62K 11/02; B62K 11/04

See application file for complete search history.

(56) **References Cited**

U.S. PATENT DOCUMENTS

D533,125 S * 12/2006 Kokubu D12/182
 D580,325 S * 11/2008 Sawabe D12/126
 7,552,788 B2 * 6/2009 Satake B62J 17/02
 180/219
 D596,536 S * 7/2009 Katagiri D12/126
 D608,260 S * 1/2010 Toriyama D12/186
 D653,183 S * 1/2012 Yamazaki D12/186

D683,275 S * 5/2013 Yanagita D12/126
 D689,800 S * 9/2013 Futamata D12/126
 D690,625 S * 10/2013 Futamata D12/126
 D695,157 S * 12/2013 Tsukui D12/126
 D772,110 S * 11/2016 Petersson D12/114
 D774,988 S * 12/2016 Fujitake D12/126
 2004/0061350 A1 * 4/2004 Yoshida B62J 17/04
 296/78.1
 2010/0181133 A1 * 7/2010 Mitomi B60K 13/02
 180/229
 2014/0084623 A1 * 3/2014 Miyamoto B62J 25/00
 296/180.1

* cited by examiner

Primary Examiner — Darlington Ly

(74) *Attorney, Agent, or Firm* — Birch, Stewart, Kolasch & Birch, LLP

(57) **CLAIM**

The ornamental design for a rear cover for a motorcycle, as shown and described.

DESCRIPTION

FIG. 1 is a front elevation view of a rear cover for a motorcycle showing our new design;
 FIG. 2 is a right side elevation view thereof;
 FIG. 3 is a left side elevation view thereof;
 FIG. 4 is a top plan view thereof;
 FIG. 5 is a bottom plan view thereof;
 FIG. 6 is a front and left side perspective view thereof; and,
 FIG. 7 is a front and right side perspective view thereof.

1 Claim, 7 Drawing Sheets

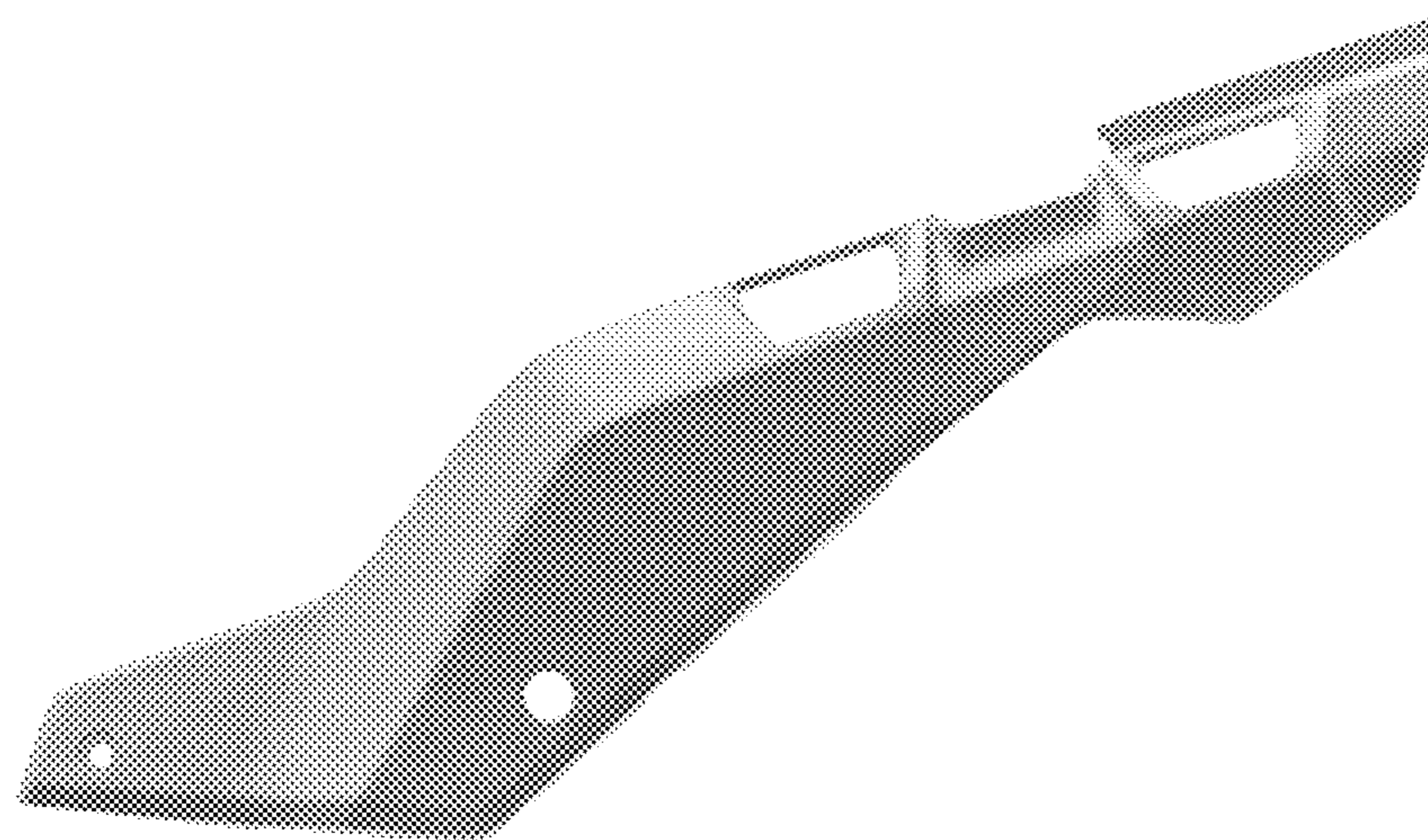


FIG. 1

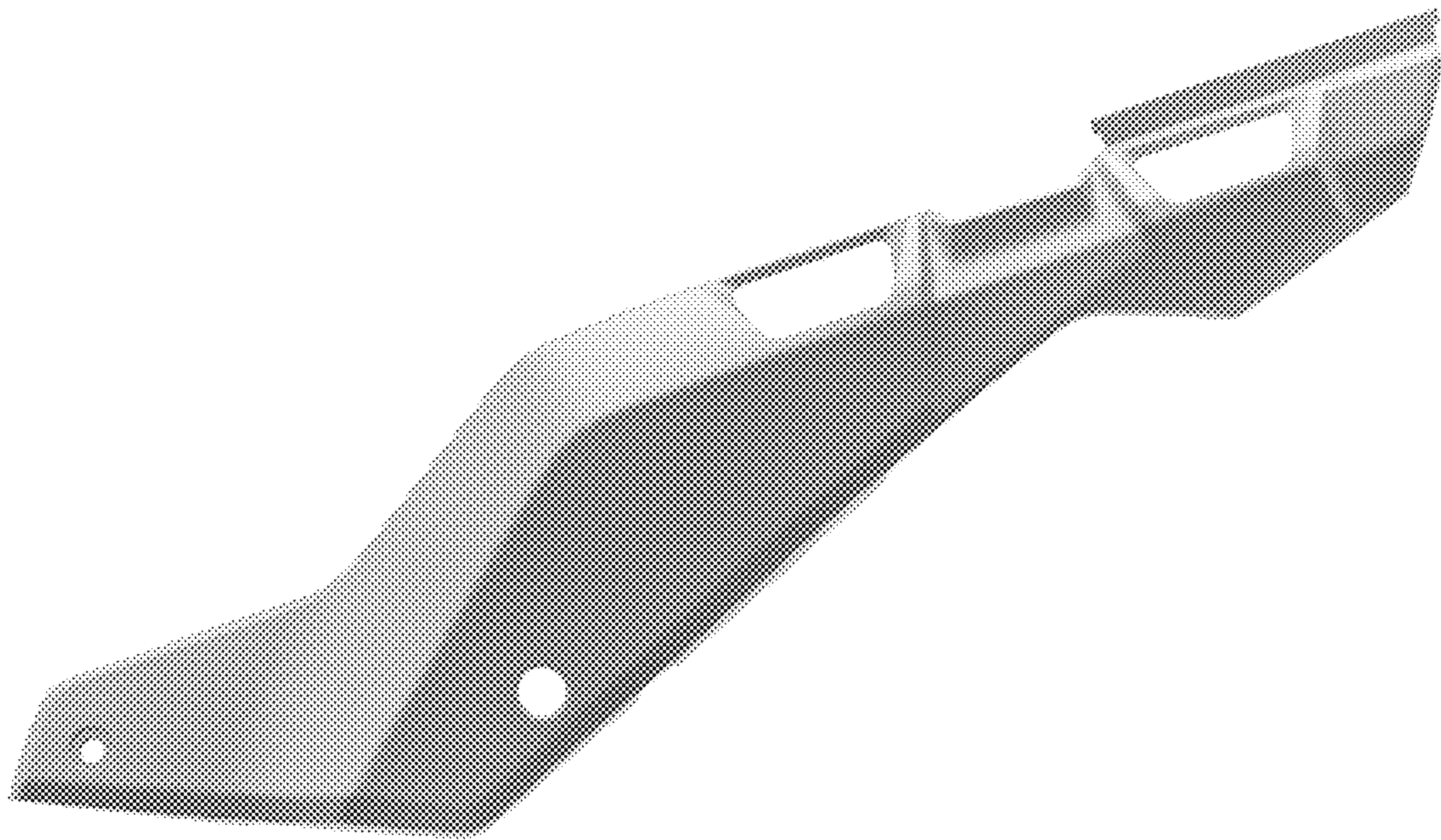


FIG. 2

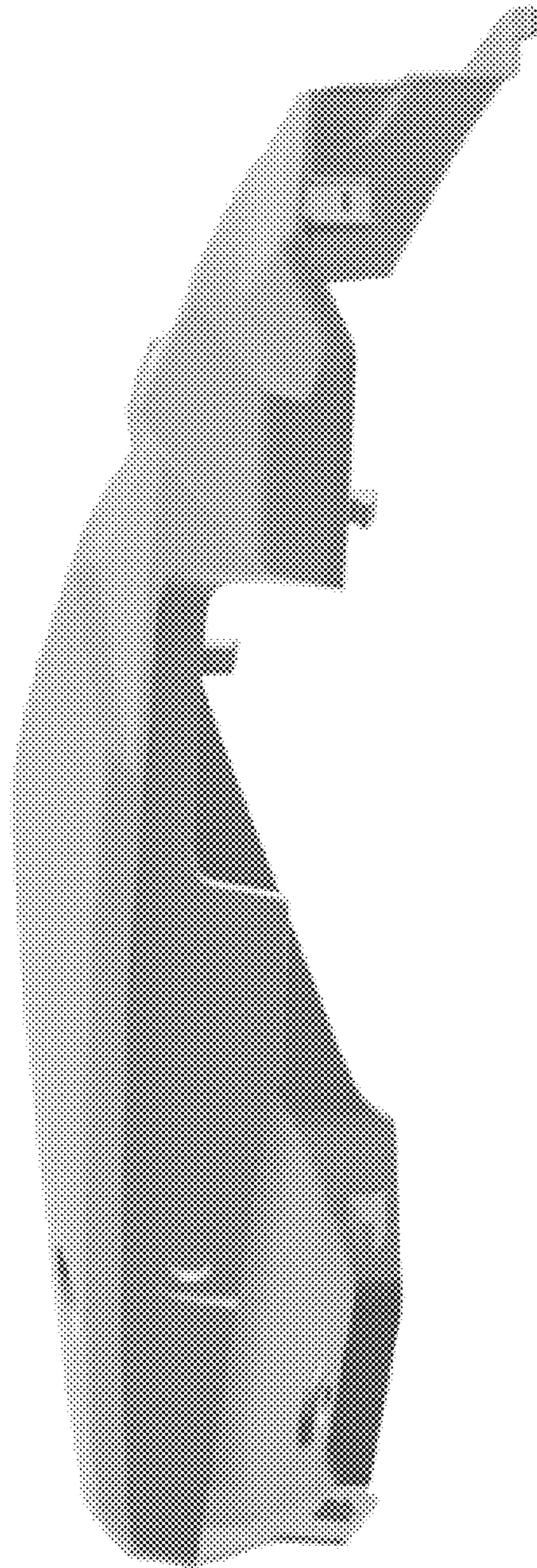


FIG. 3

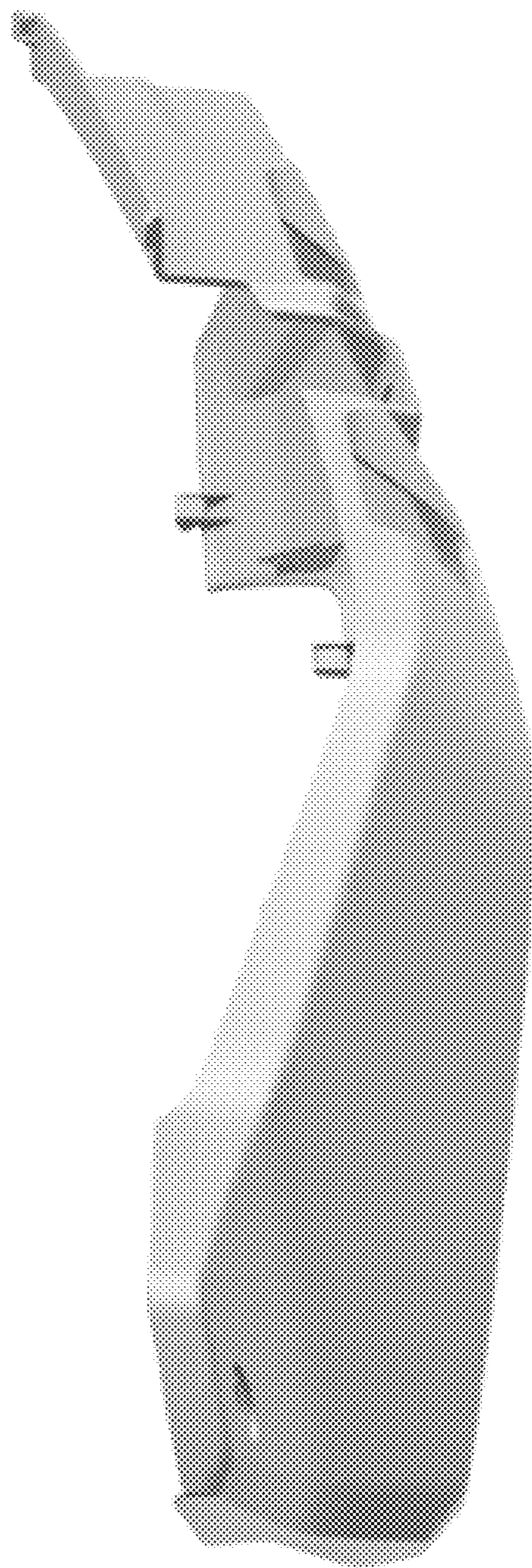


FIG. 4

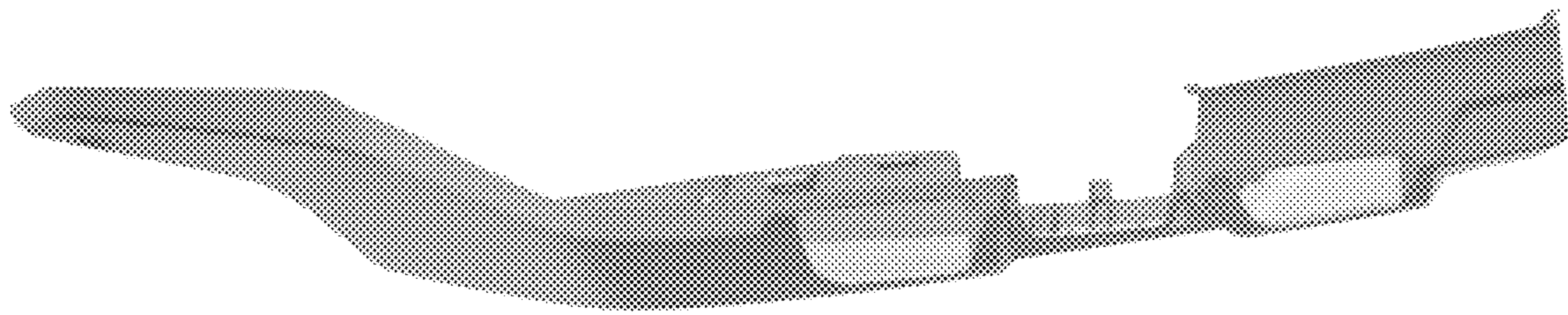


FIG. 5

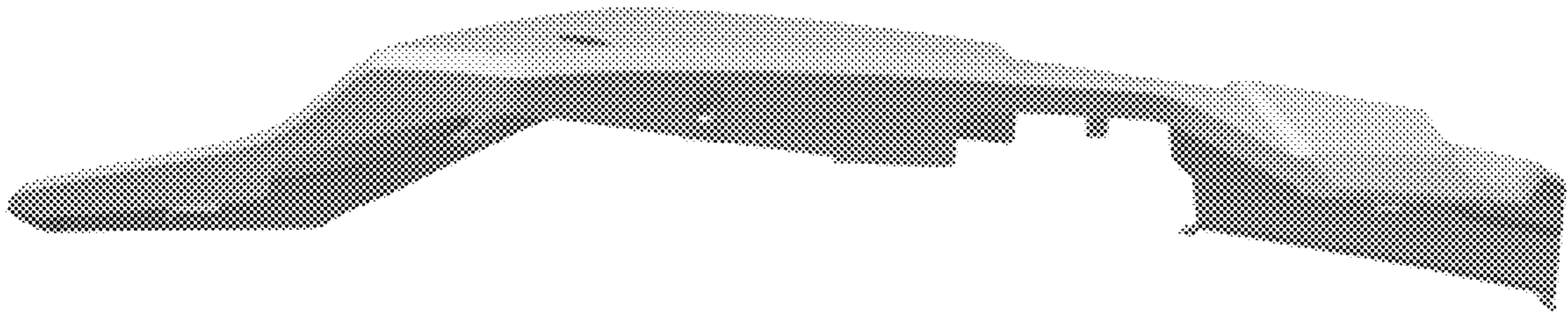


FIG. 6

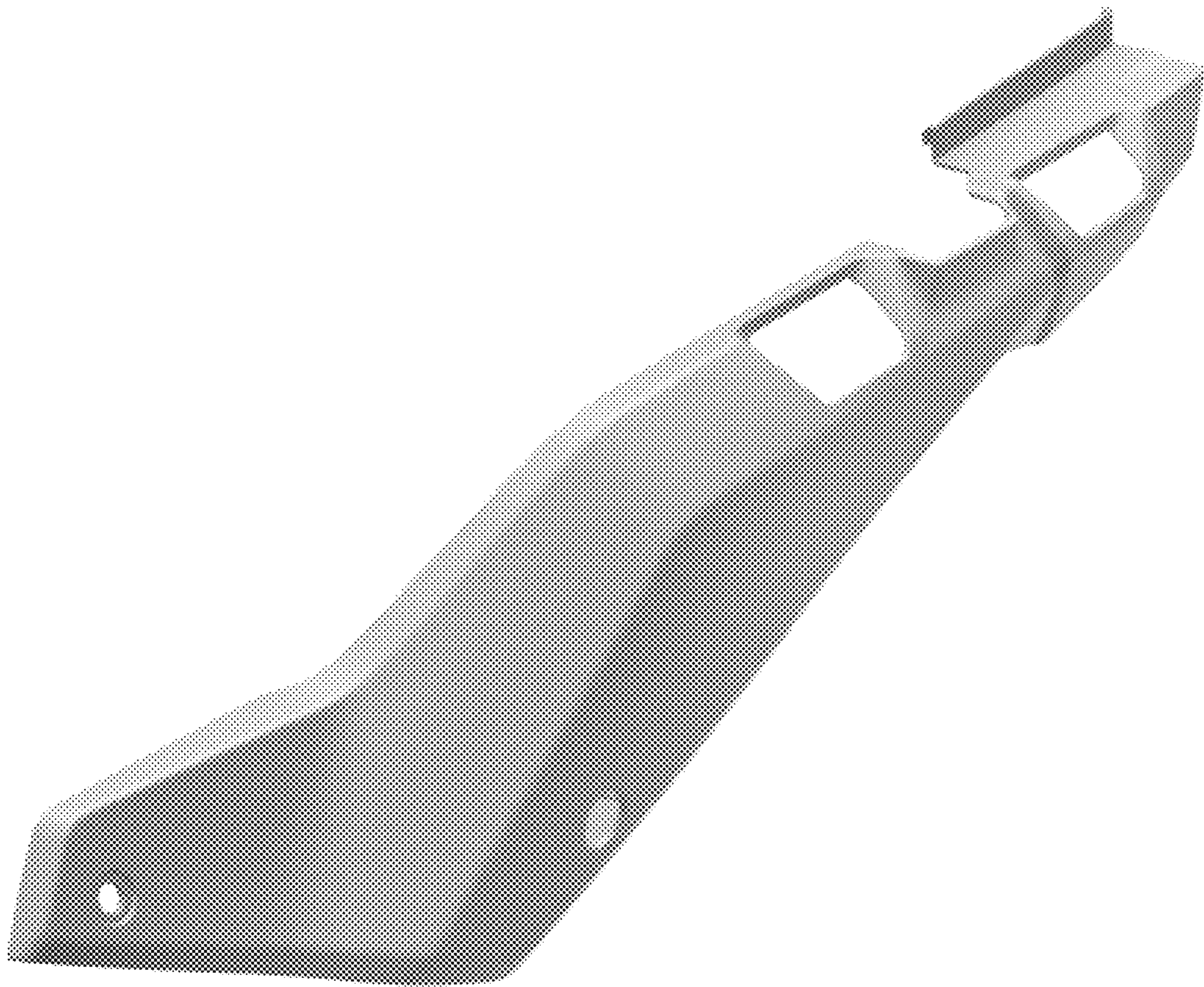


FIG. 7

