



US00D846449S

(12) **United States Design Patent**  
**Song et al.**

(10) **Patent No.:** **US D846,449 S**  
(45) **Date of Patent:** **\*\* Apr. 23, 2019**

(54) **CHILD'S BICYCLE**  
(71) Applicant: **NINEBOT(BEIJING)TECH. CO., LTD**, Beijing (CN)  
(72) Inventors: **Xinyu Song**, Beijing (CN); **Lei Liu**, Beijing (CN); **Lufeng Gao**, Beijing (CN)  
(73) Assignee: **Ninebot (Beijing) Tech Co., Ltd.**, Beijing (CN)  
(\*\*) Term: **15 Years**  
(21) Appl. No.: **35/504,086**  
(22) Filed: **Aug. 11, 2017**

(80) **Hague Agreement Data**  
Int. Filing Date: **Aug. 11, 2017**  
Int. Reg. No.: **DM/098620**  
Int. Reg. Date: **Aug. 11, 2017**  
Int. Reg. Pub. Date: **Dec. 8, 2017**

(30) **Foreign Application Priority Data**  
Aug. 7, 2017 (CN) ..... 2017 3 0356225  
(51) **LOC (11) Cl.** ..... **12-11**  
(52) **U.S. Cl.**  
USPC ..... **D12/111**  
(58) **Field of Classification Search**  
USPC ..... D12/111, 117; D21/412, 414, 419, D21/423-428, 431-435  
CPC ..... B62K 3/00; B62K 3/02; B62K 3/06  
See application file for complete search history.

(56) **References Cited**  
**U.S. PATENT DOCUMENTS**  
4,730,840 A \* 3/1988 Goldmeier ..... B62H 1/12 280/210  
D326,247 S \* 5/1992 Hess ..... D12/111

D345,948 S \* 4/1994 Chen ..... D12/112  
D369,331 S \* 4/1996 Niemeyer ..... D12/112  
D400,826 S \* 11/1998 Accerenzi ..... D12/111  
D410,416 S \* 6/1999 Huang ..... D12/111  
5,909,896 A \* 6/1999 Accerenzi ..... B62J 17/00 280/288.4  
6,086,081 A \* 7/2000 Huang ..... B62K 9/00 280/288.4  
D430,823 S \* 9/2000 Nakai ..... D12/111  
D449,020 S \* 10/2001 Yang ..... D12/111  
D450,014 S \* 11/2001 Chiappetta ..... D12/111  
D450,015 S \* 11/2001 Lai ..... D12/111  
D460,025 S \* 7/2002 Yu ..... D12/111  
6,419,256 B1 \* 7/2002 Clark ..... B62H 7/00 116/56  
6,588,788 B2 \* 7/2003 Clark ..... B62H 7/00 280/288.4  
D478,534 S \* 8/2003 Clark ..... D12/111  
D500,713 S \* 1/2005 Gunter ..... D12/111

(Continued)

*Primary Examiner* — Darlington Ly  
(74) *Attorney, Agent, or Firm* — Polson Intellectual Property Law, PC; Margaret Polson

(57) **CLAIM**

The ornamental design for a childs bicycle, as shown and described.

**DESCRIPTION**

1. Childs bicycle  
1.1 is a front elevation view of a childs bicycle showing our new design;  
1.2 is a rear elevation view thereof;  
1.3 is a left side elevation view thereof;  
1.4 is a right side elevation view thereof;  
1.5 is a top plan view thereof;  
1.6 is a bottom plan view thereof; and  
1.7 is a perspective view thereof.  
The broken lines shown in the drawings illustrate portions of the child's bicycle that form no part of the claimed design.

**1 Claim, 7 Drawing Sheets**



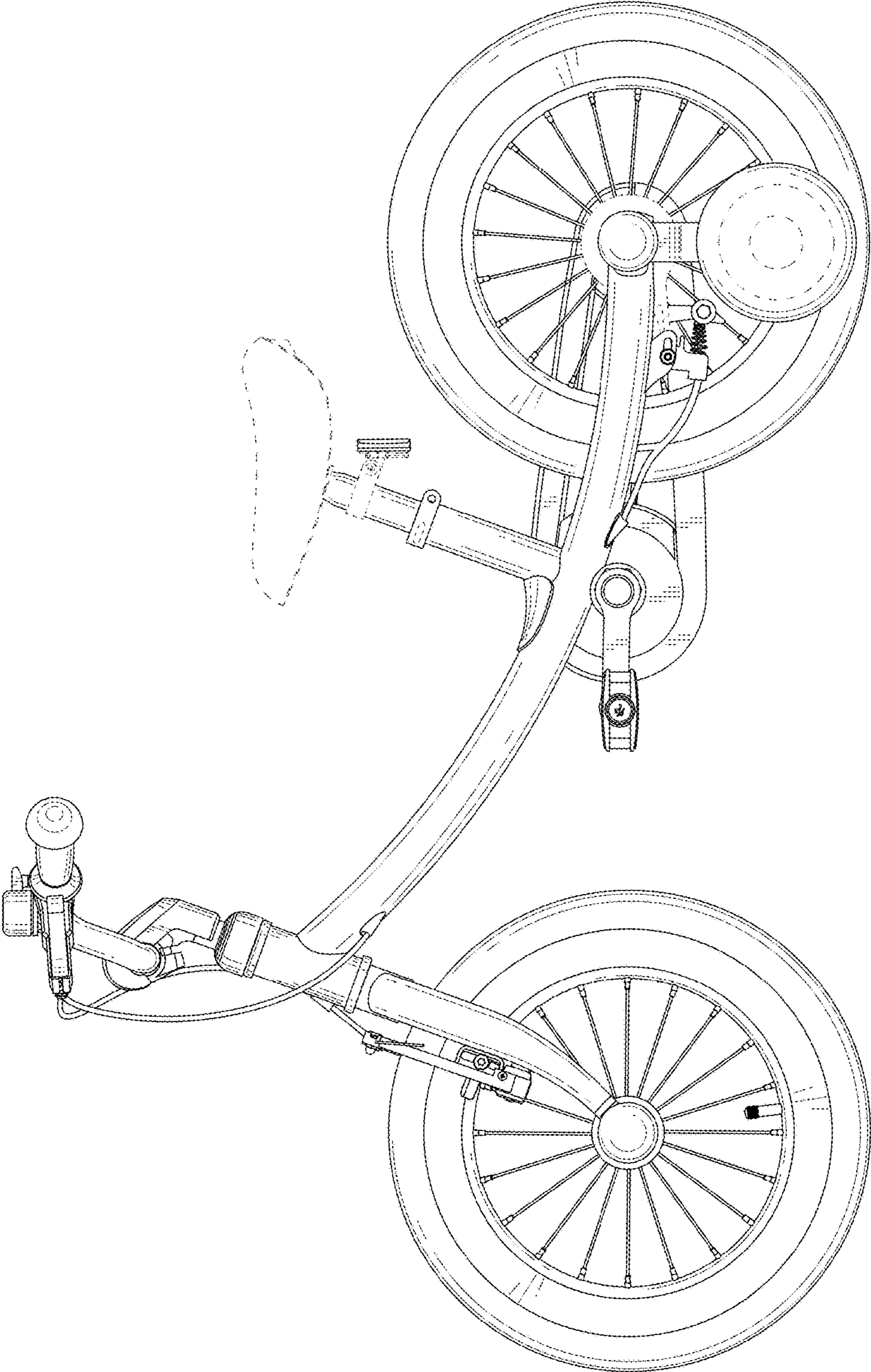
(56)

**References Cited**

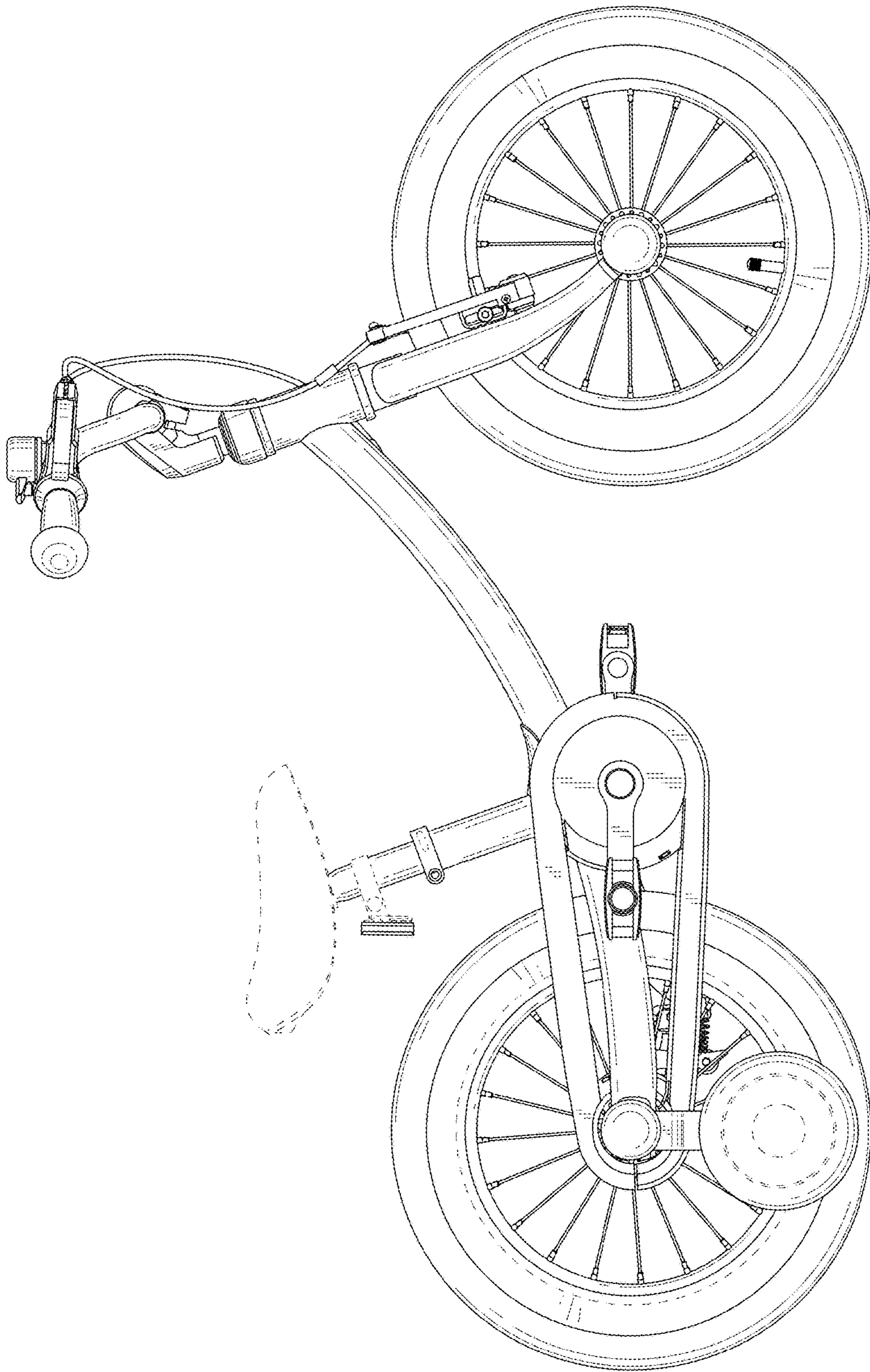
U.S. PATENT DOCUMENTS

D614,538 S \* 4/2010 Rochon ..... D12/111  
D791,022 S \* 7/2017 Lam ..... D12/111

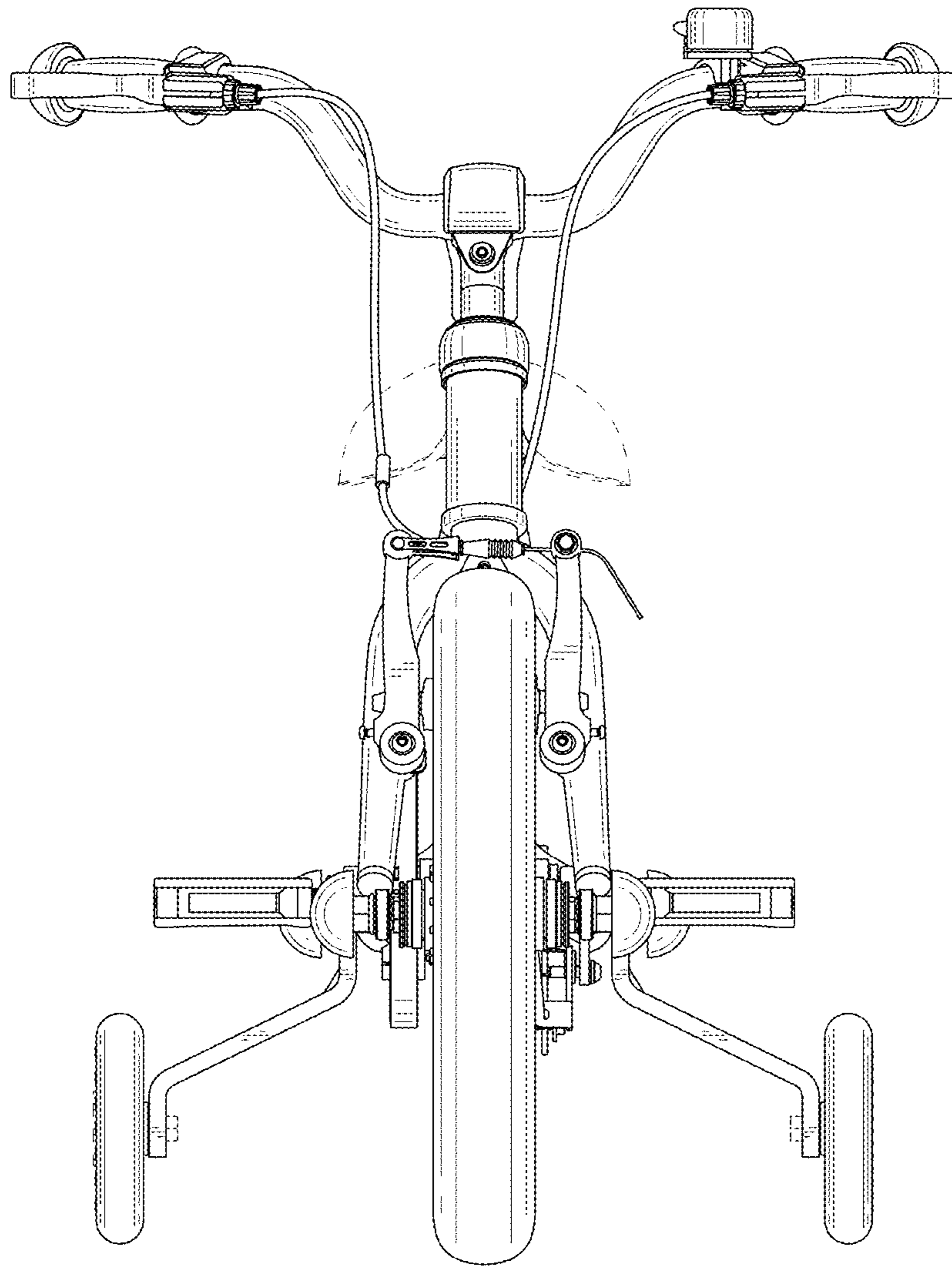
\* cited by examiner



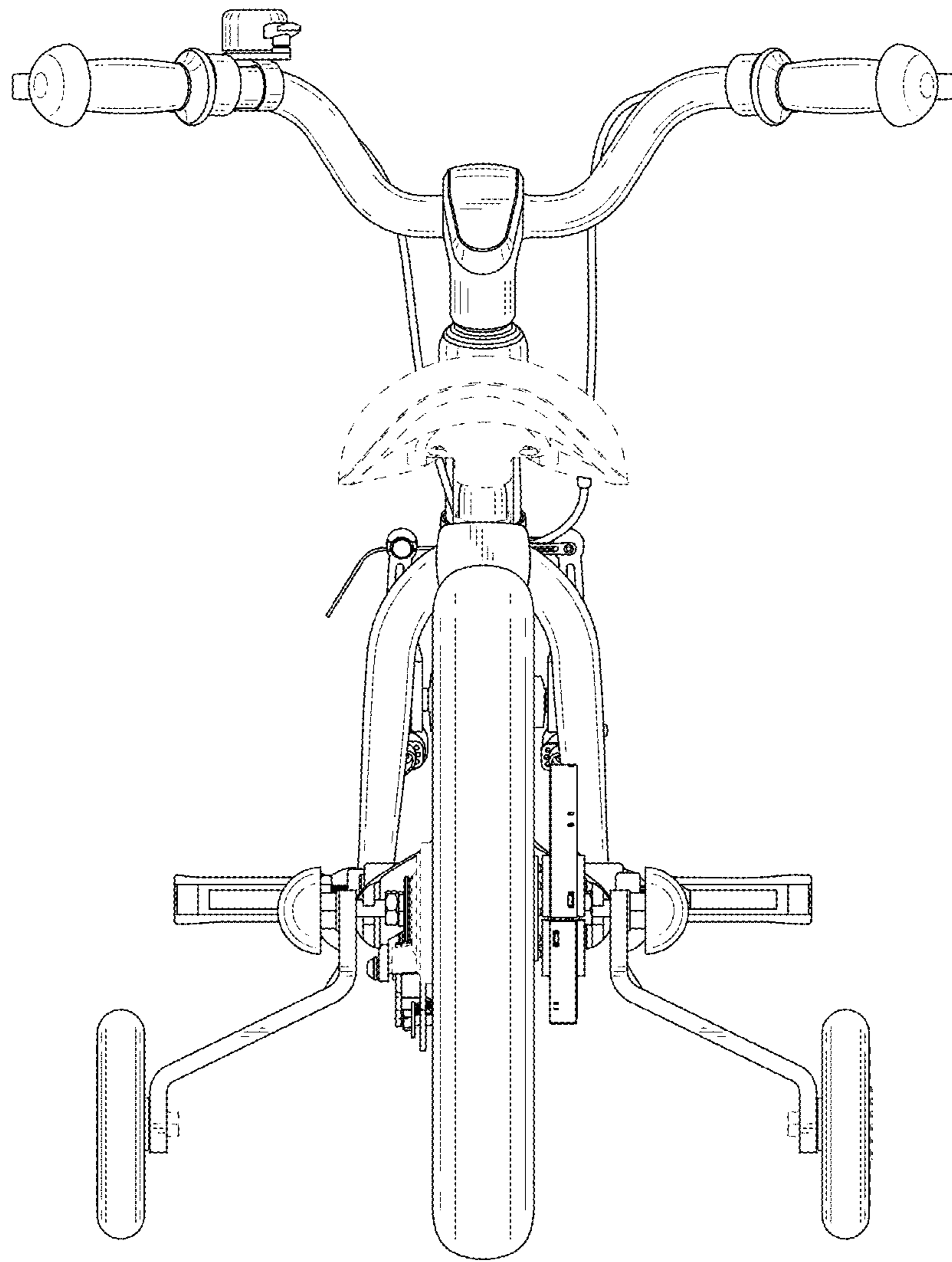
1.1



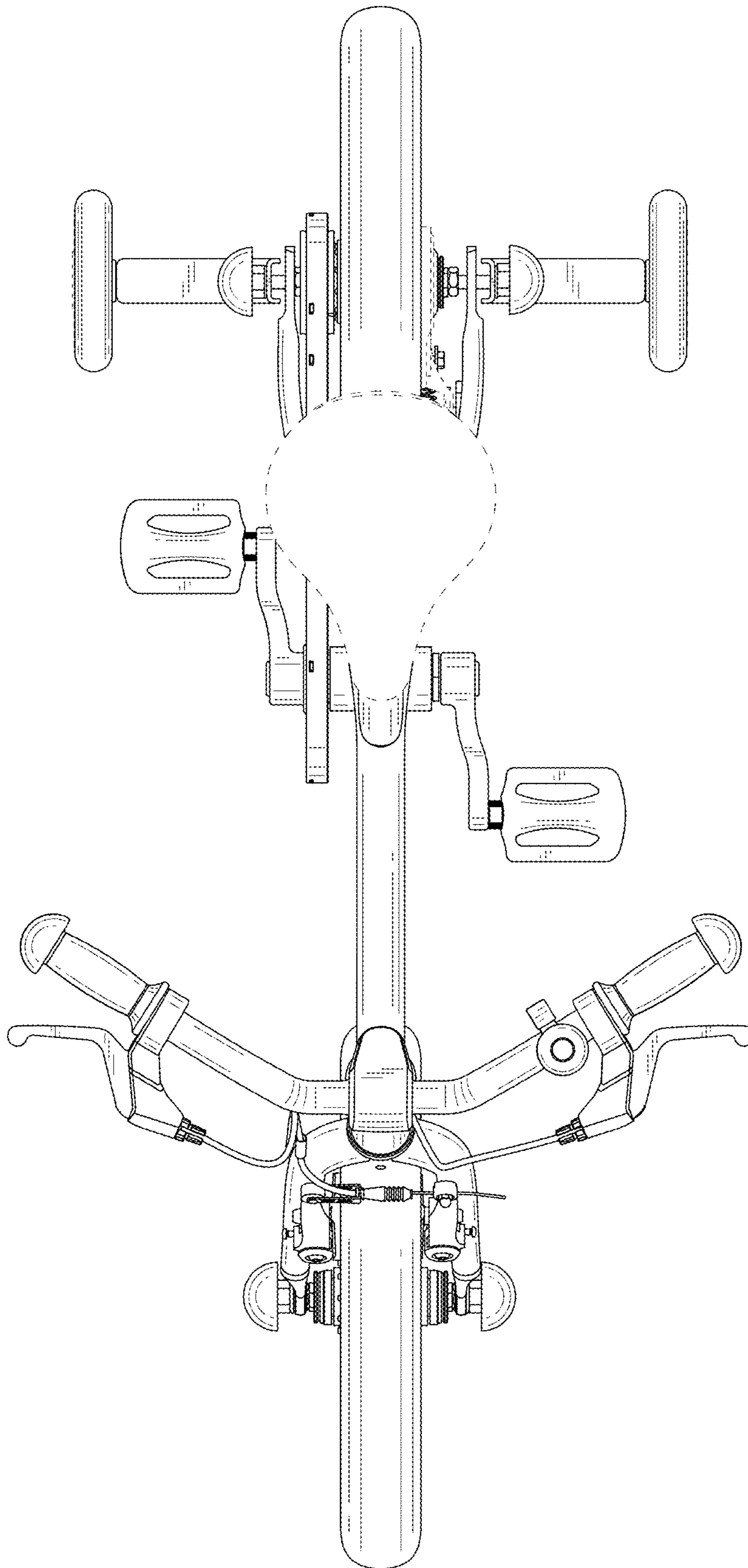
1.2



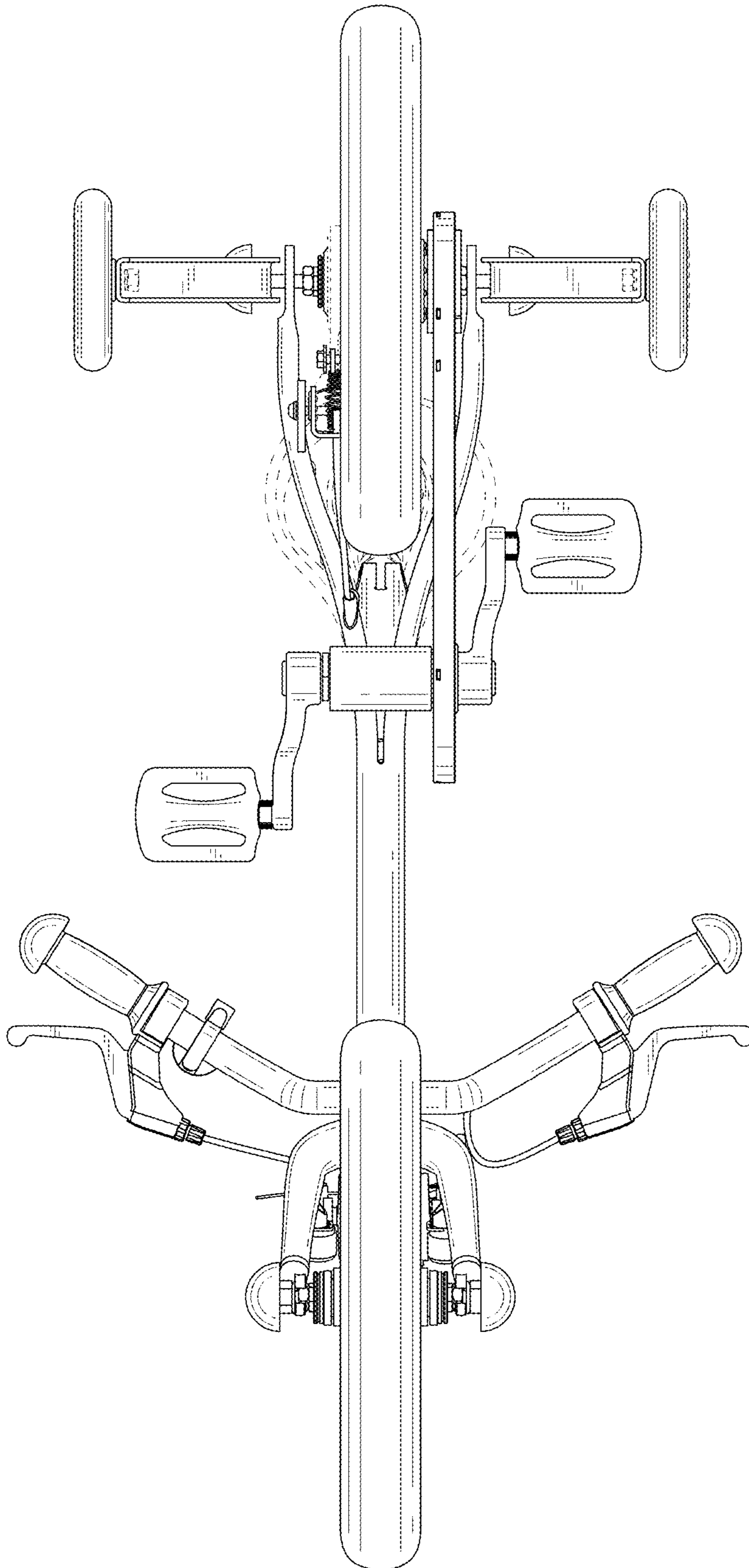
1.3



1.4

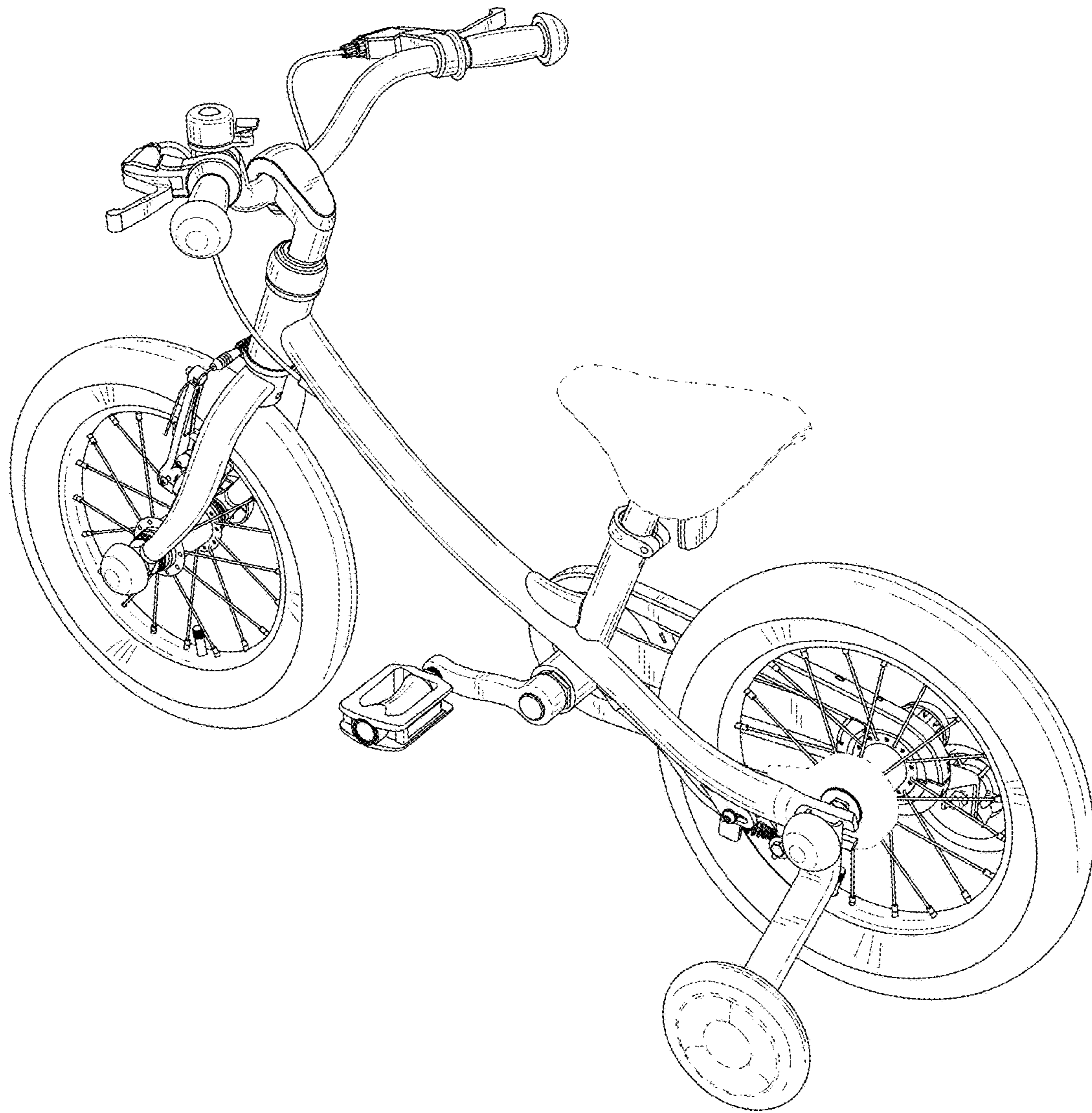


1.5



1.6





1.7