



US00D846445S

(12) **United States Design Patent**
Tompkin

(10) **Patent No.:** **US D846,445 S**

(45) **Date of Patent:** **** Apr. 23, 2019**

(54) **DRONE**
(71) Applicant: **MerchSource, LLC**, Irvine, CA (US)
(72) Inventor: **Crispian Tompkin**, Los Angeles, CA (US)

8,292,215 B2 10/2012 Olm et al.
8,322,648 B2 12/2012 Kroetsch et al.
8,328,128 B2 12/2012 Wiggerich
8,328,130 B2 12/2012 Goossen

(Continued)

(73) Assignee: **MerchSource, LLC**, Irvine, CA (US)

FOREIGN PATENT DOCUMENTS

(**) Term: **15 Years**

WO 2015126447 A1 8/2015

(21) Appl. No.: **29/617,654**

OTHER PUBLICATIONS

(22) Filed: **Sep. 15, 2017**

Sharper Image Streaming Drone. by NTL Vlogs. on YouTube. dated Nov. 26, 2017. found online [Nov. 12, 2018] <https://www.youtube.com/watch?v=6mo2tyKICi4>.*

(51) **LOC (11) Cl.** **12-01**

(52) **U.S. Cl.**
USPC **D12/16.1**

Primary Examiner — Marissa J Cash

(74) *Attorney, Agent, or Firm* — Avyno Law P.C.

(58) **Field of Classification Search**
USPC D12/16.1, 319–345; D21/436, 441, 442,
D21/443, 444, 447–454
CPC B64C 2201/141; B64C 39/024; B64C
2201/127

(57) **CLAIM**

I claim the ornamental design for a drone, as shown and described.

See application file for complete search history.

DESCRIPTION

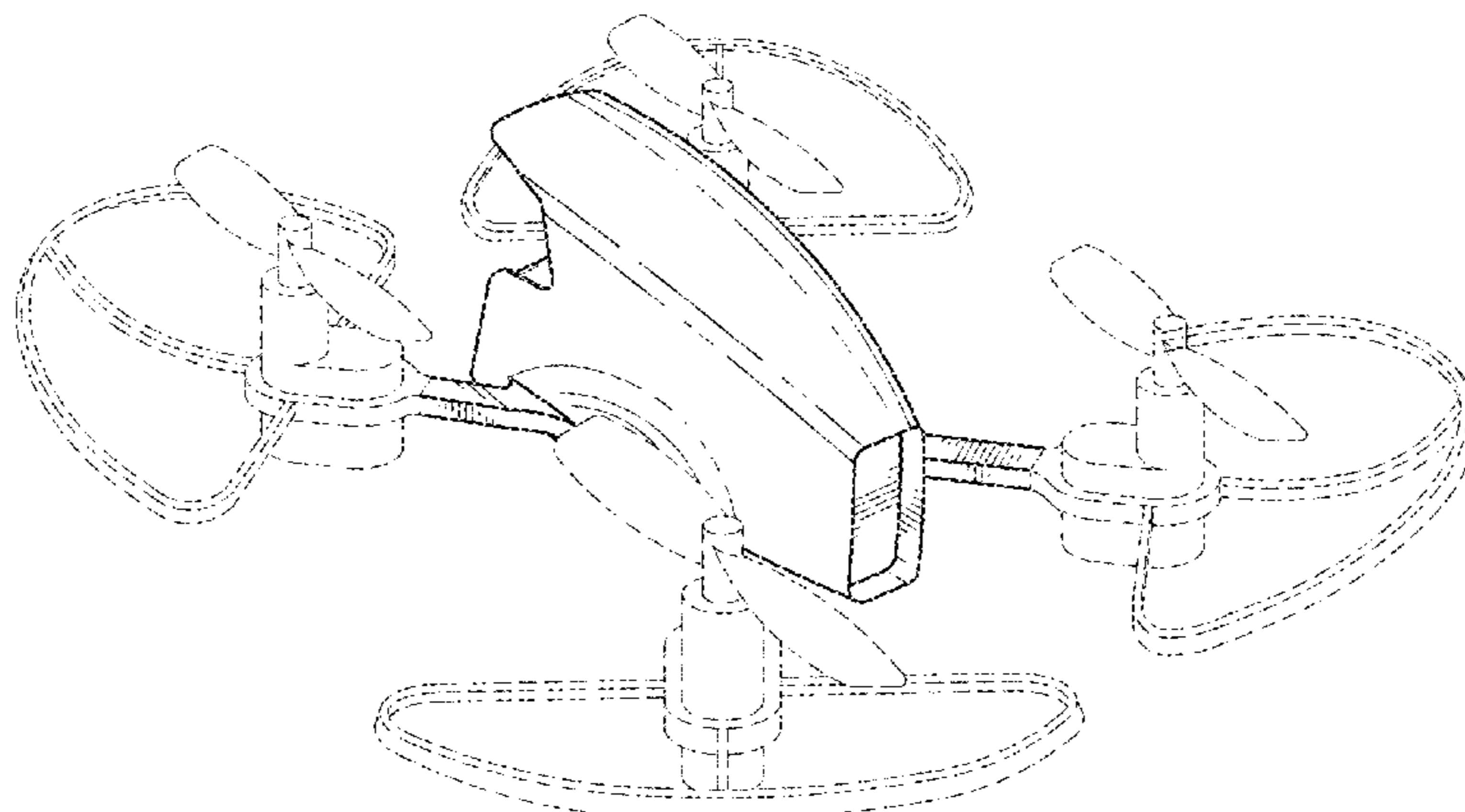
(56) **References Cited**

U.S. PATENT DOCUMENTS

2,478,847	A	8/1949	Stuart, III
3,053,480	A	9/1962	Vanderlip
4,161,843	A	7/1979	Hui
5,043,646	A	8/1991	Smith, III et al.
5,738,300	A	4/1998	Durand
7,302,316	B2	11/2007	Beard et al.
7,364,114	B2	4/2008	Wobben
7,400,950	B2	7/2008	Reich
7,472,863	B2	1/2009	Pak
7,584,071	B2	9/2009	Lee
7,699,260	B2	4/2010	Hughey
7,959,104	B2	6/2011	Kuntz
8,052,081	B2	11/2011	Olm et al.
8,106,748	B2	1/2012	Lee
8,175,763	B2	5/2012	Yamane et al.
8,214,088	B2	7/2012	Lefebure
8,265,808	B2	9/2012	Garrec et al.

FIG. 1 is a top perspective view of a drone car.
FIG. 2 is a top view of the drone of FIG. 1.
FIG. 3 is a bottom view of the drone of FIG. 1.
FIG. 4 is a side view of the right side of the drone of FIG. 1.
FIG. 5 is a side view of the left side of the drone of FIG. 1.
FIG. 6 is a front view of the drone of FIG. 1; and,
FIG. 7 is a rear view of the drone of FIG. 1.
The dash-dash-dash type broken lines shown in the drawings are included for the purpose of depicting environmental subject matter only and form no part of the claimed design. The dash-dot-dash type broken lines shown in the drawings are included to define the boundaries of the claimed design such that the claimed design extends to the boundary but does not include the boundary.

1 Claim, 5 Drawing Sheets



(56)

References Cited

U.S. PATENT DOCUMENTS

8,594,862 B2 11/2013 Callou et al.
 8,774,982 B2 7/2014 Oakley et al.
 D710,454 S 8/2014 Barajas et al.
 8,794,564 B2 8/2014 Hutson
 8,794,566 B2 8/2014 Hutson
 8,827,200 B2 9/2014 Radu
 8,931,730 B2 1/2015 Wang et al.
 8,973,861 B2 3/2015 Zhou et al.
 8,983,684 B2 3/2015 Callou et al.
 8,991,740 B2 3/2015 Olm et al.
 9,004,973 B2 4/2015 Condon et al.
 9,016,617 B2 4/2015 Wang et al.
 9,020,666 B2 4/2015 Ohtomo et al.
 9,051,050 B2 6/2015 Ahtelik et al.
 9,061,558 B2 6/2015 Kalantari et al.
 9,145,207 B2 9/2015 Moschetta et al.
 D745,435 S * 12/2015 Park D12/16.1
 9,199,733 B2 12/2015 Keennon et al.
 9,221,536 B2 12/2015 Wang et al.
 9,260,184 B2 2/2016 Olm et al.
 D756,842 S * 5/2016 Ashjaee D12/16.1
 9,364,766 B2 6/2016 Mielniczek
 D783,727 S * 4/2017 Xiao D21/441
 D784,201 S * 4/2017 Goldy D12/16.1

D784,202 S * 4/2017 Park D12/16.1
 D785,717 S * 5/2017 Xiao D21/441
 D793,482 S * 8/2017 Wang D12/16.1
 D798,962 S * 10/2017 Xiao D21/441
 D798,963 S * 10/2017 Xiao D21/441
 D800,016 S * 10/2017 Huang D12/16.1
 D808,301 S * 1/2018 Goldy D12/16.1
 D809,992 S * 2/2018 Hu D12/328
 D814,350 S * 4/2018 Joo D12/16.1
 D814,385 S * 4/2018 Zhao D12/328
 D825,669 S * 8/2018 Tompkin D21/441
 2002/0104922 A1 8/2002 Nakamura
 2008/0006737 A1 1/2008 Wobben
 2010/0044499 A1 2/2010 Dragan et al.
 2010/0243794 A1 9/2010 Jermyn
 2011/0049290 A1 3/2011 Seydoux et al.
 2011/0226892 A1 9/2011 Crowther et al.
 2014/0043493 A1 2/2014 Bateman et al.
 2014/0263822 A1 9/2014 Malveaux
 2015/0051755 A1 2/2015 Erhart et al.
 2016/0100093 A1 4/2016 Schield et al.
 2016/0104384 A1 4/2016 Hanel et al.
 2017/0072755 A1 * 3/2017 Zhou B64C 29/0033
 2017/0073070 A1 * 3/2017 Xing B64C 39/024
 2017/0269609 A1 * 9/2017 Bradlow G05D 1/102
 2018/0002023 A1 * 1/2018 Tian B64D 13/006

* cited by examiner

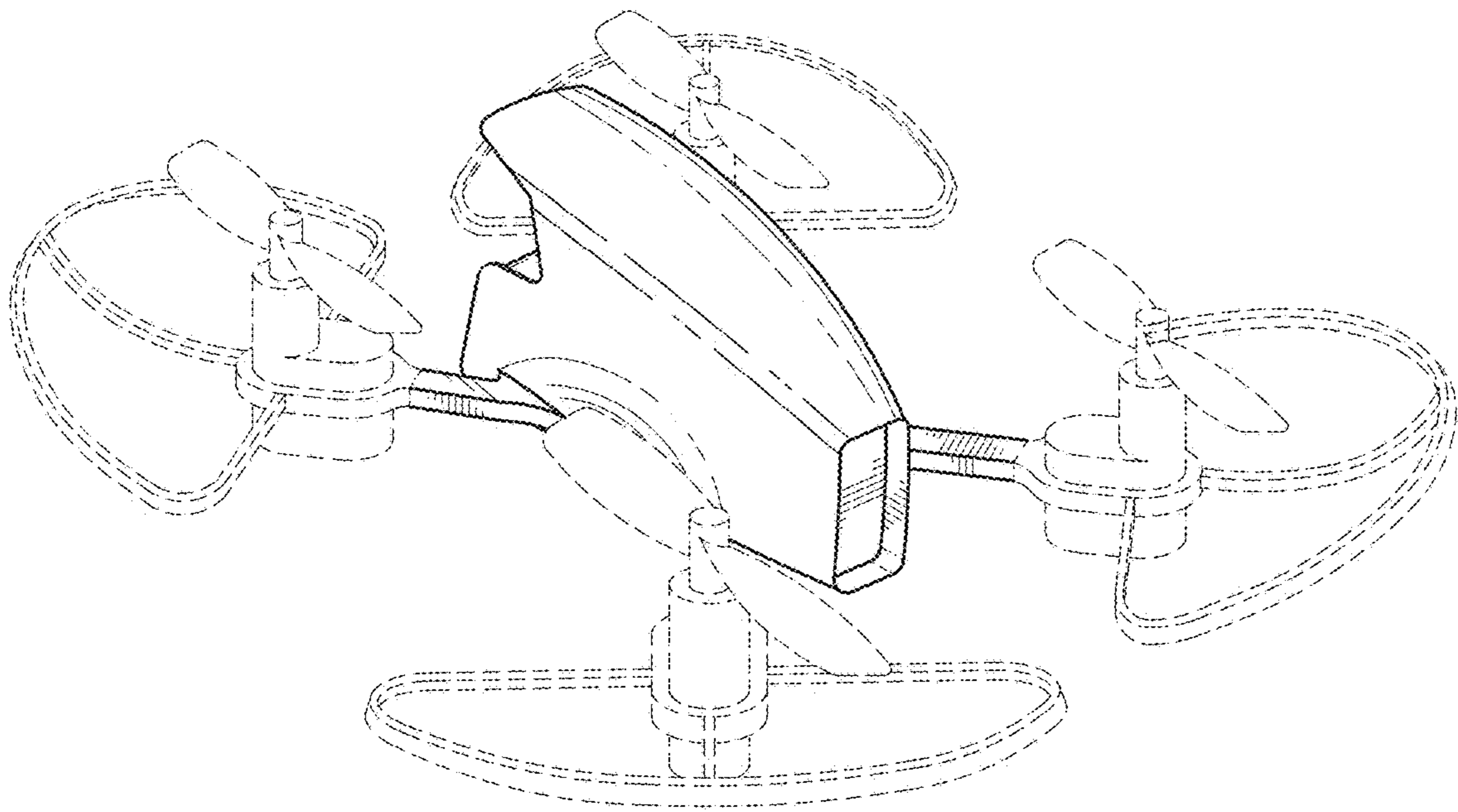


FIG. 1

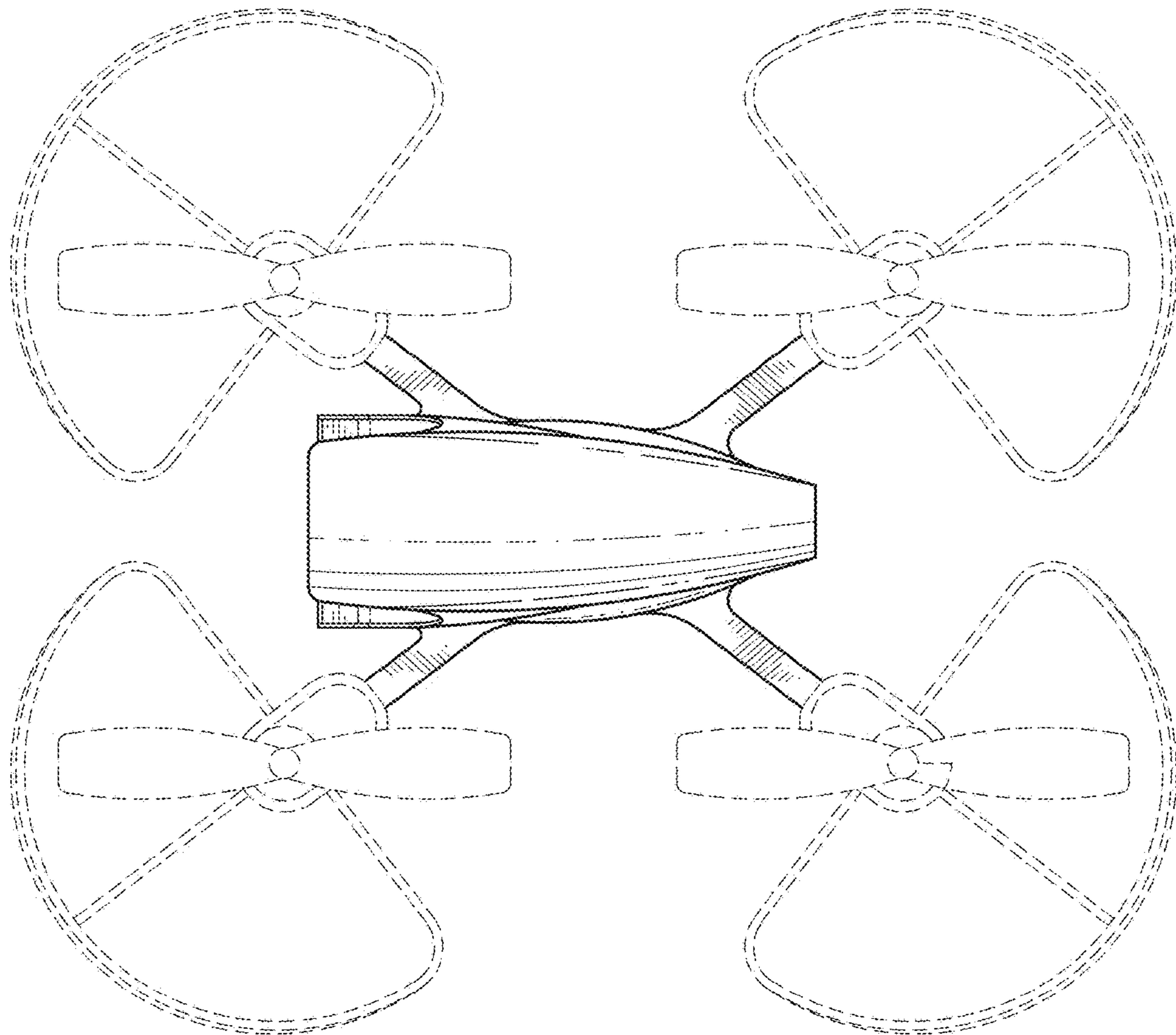


FIG. 2

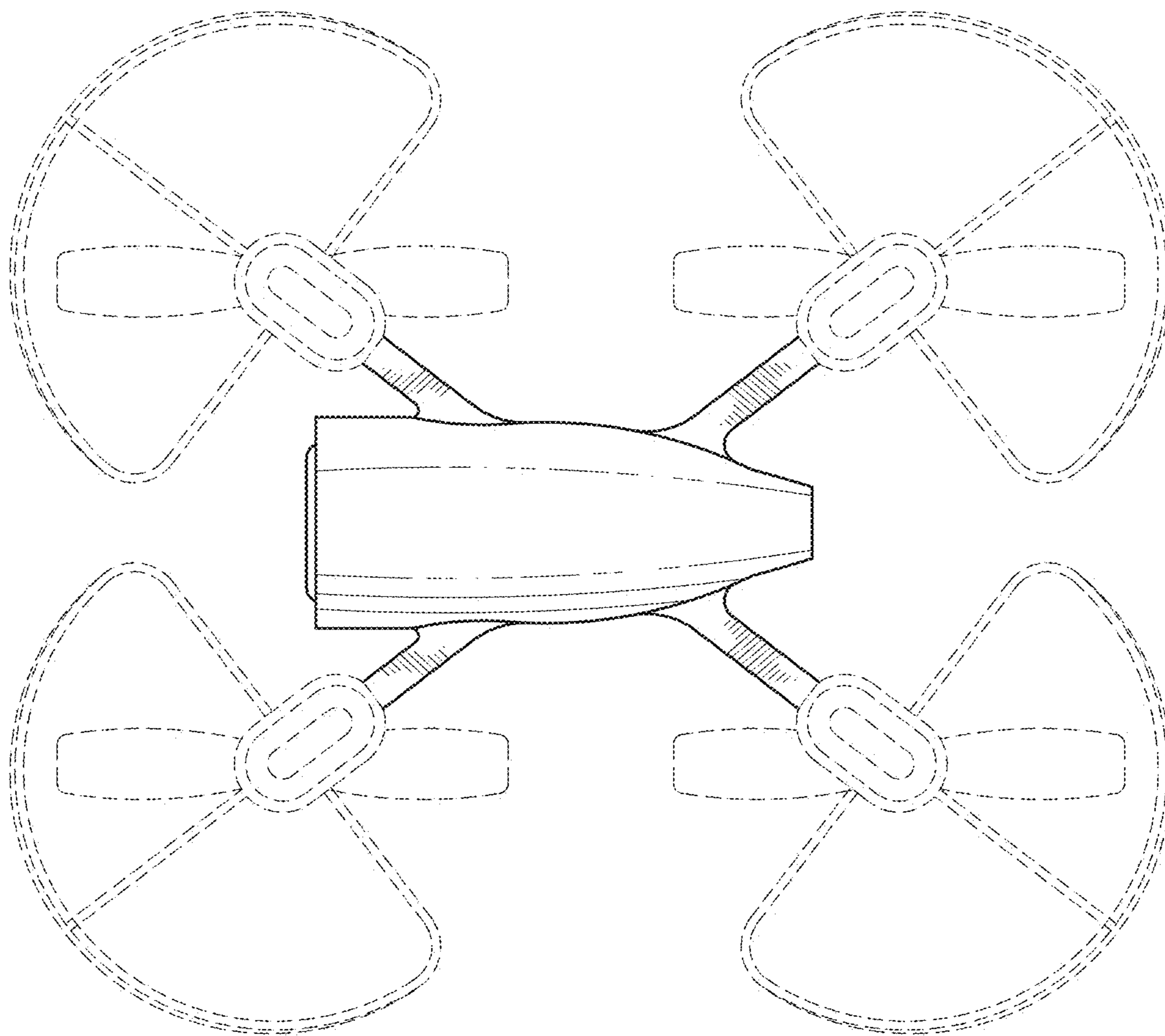


FIG. 3

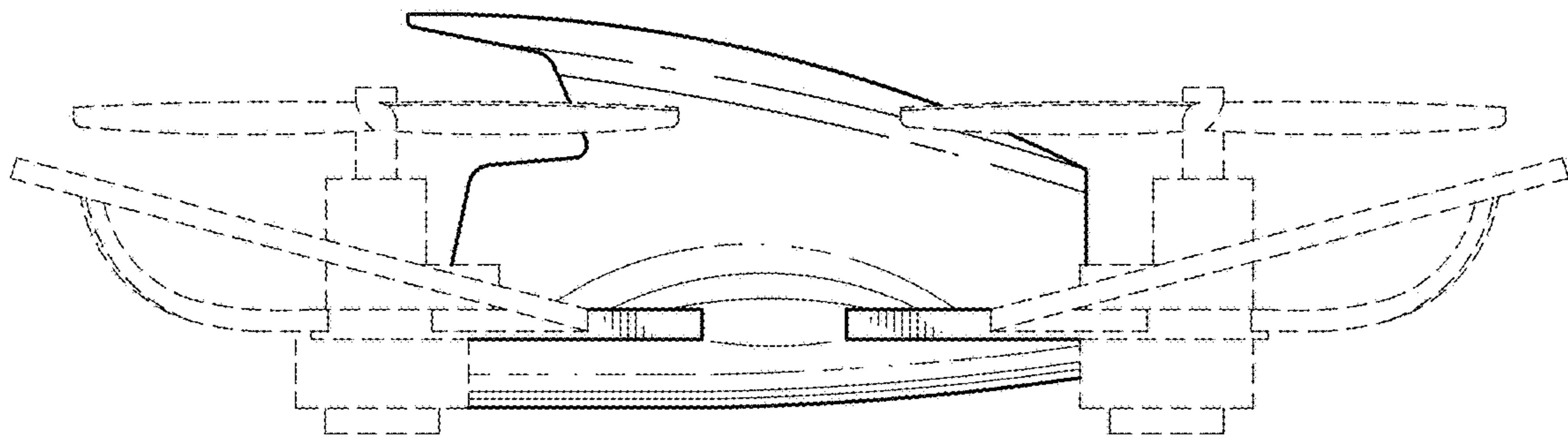


FIG. 4

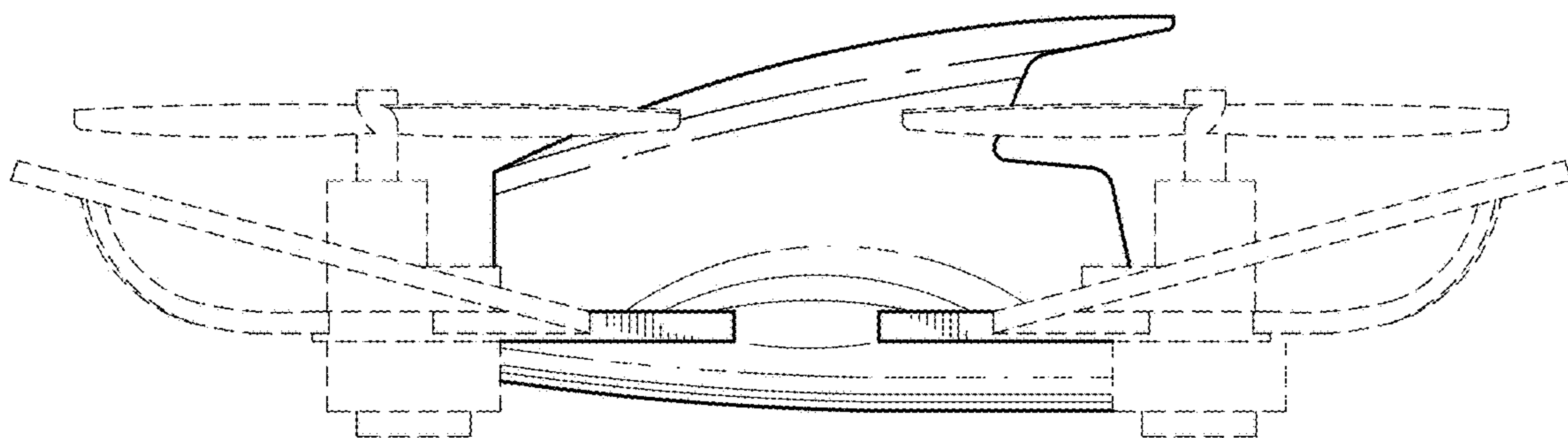


FIG. 5

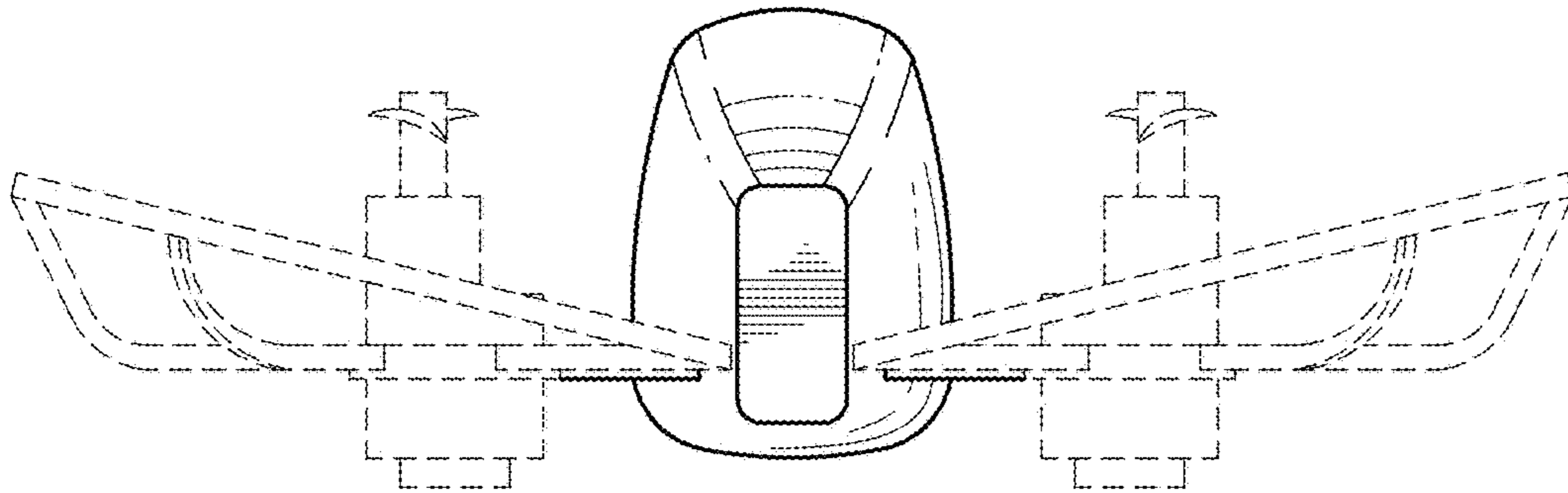


FIG. 6

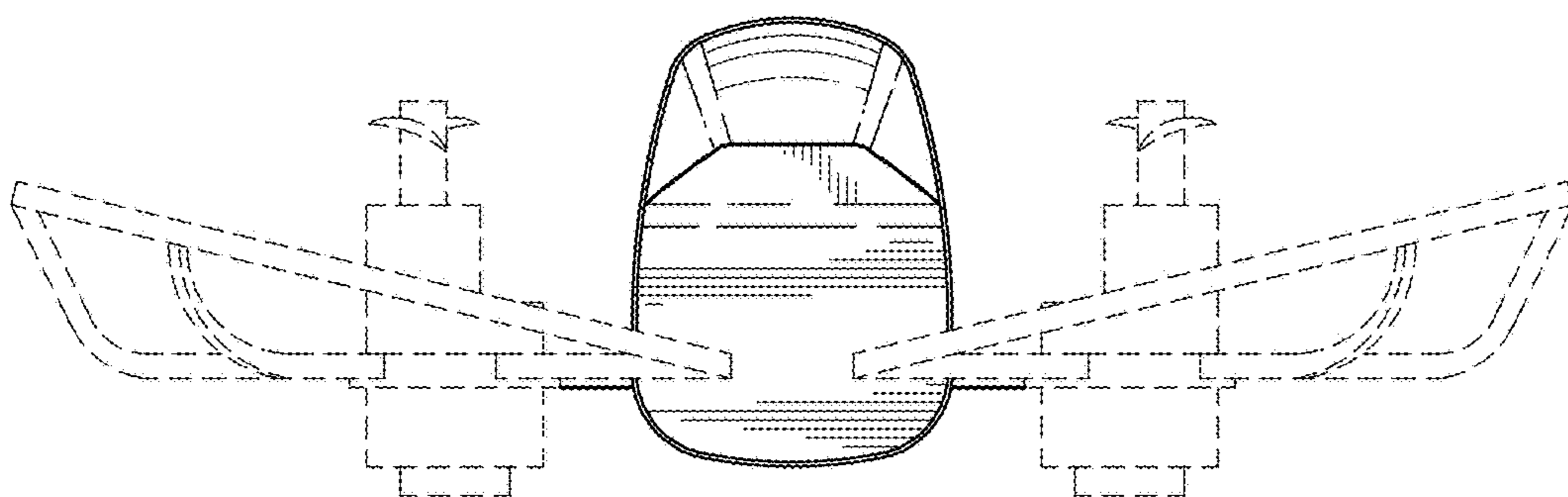


FIG. 7