

US00D846442S

(12) **United States Design Patent**
Kim

(10) **Patent No.:** **US D846,442 S**

(45) **Date of Patent:** **** *Apr. 23, 2019**

- (54) **DRONE**
- (71) Applicant: **Samsung Electronics Co., Ltd.**,
Suwon-si (KR)
- (72) Inventor: **Minsoo Kim**, Seoul (KR)
- (73) Assignee: **SAMSUNG ELECTRONICS CO., LTD.**,
Suwon-si (KR)
- (*) Notice: This patent is subject to a terminal disclaimer.
- (**) Term: **15 Years**
- (21) Appl. No.: **29/600,889**
- (22) Filed: **Apr. 17, 2017**

D430,530 S *	9/2000	Milde, Jr.	D12/320
D543,928 S *	6/2007	Sanders, Jr.	B64C 27/12
				D12/319
D569,332 S *	5/2008	Brunner	D12/325
D634,257 S *	3/2011	Alexander	D12/326
D648,809 S *	11/2011	Seydoux	D21/441
D659,771 S *	5/2012	Seydoux	D21/441
8,214,088 B2 *	7/2012	Lefebure	A63H 27/12
				244/189
8,662,438 B2 *	3/2014	Savoie	A63H 27/12
				244/17.11
D708,272 S *	7/2014	Schmelter	D12/16.1
8,991,740 B2 *	3/2015	Olm	B60F 5/02
				244/2
D740,201 S *	10/2015	Wang	D12/326
D747,775 S *	1/2016	Colin	D12/16.1
D751,025 S *	3/2016	Howell	D12/16.1
D761,690 S *	7/2016	Friesmuth	D12/16.1
9,529,086 B2 *	12/2016	Taoka	G01N 15/06
D776,569 S *	1/2017	Baruchin	D12/16.1

(Continued)

- (30) **Foreign Application Priority Data**
- Oct. 18, 2016 (KR) 30-2016-0049829
- (51) **LOC (11) Cl.** **12-07**
- (52) **U.S. Cl.**
- USPC **D12/16.1; D21/443**
- (58) **Field of Classification Search**
- USPC D12/16.1, 319, 325, 326, 327, 328,
D12/329-345, 1; D21/436, 441, 442,
D21/443, 444, 445-453
- CPC B64C 39/024; B64C 2201/141; B64C
2201/00; B64C 2201/108
- See application file for complete search history.

Primary Examiner — Marissa J Cash
 (74) *Attorney, Agent, or Firm* — McAndrews Held & Malloy, Ltd.

(57) **CLAIM**

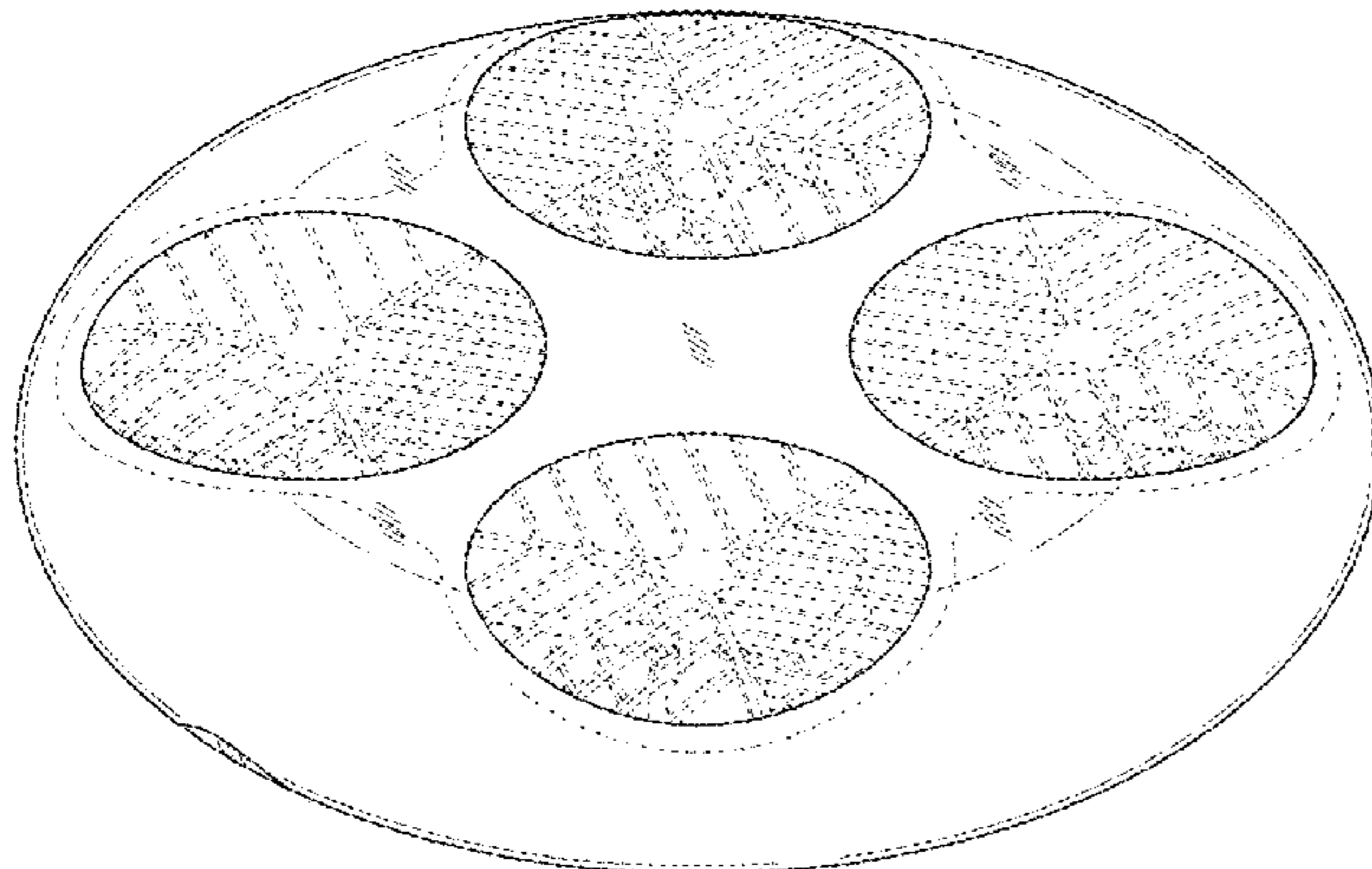
The ornamental design for a drone, as shown and described.

DESCRIPTION

FIG. 1 is a top perspective view of a drone showing my new design;
 FIG. 2 is a front elevation view thereof;
 FIG. 3 is a rear elevation view thereof;
 FIG. 4 is a left side elevation view thereof;
 FIG. 5 is a right side elevation view thereof;
 FIG. 6 is a top plan view thereof;
 FIG. 7 is a bottom plan view thereof; and,
 FIG. 8 is a bottom perspective view thereof.
 The broken lines in the drawings illustrate portions of the drone that form no part of the claimed design.

1 Claim, 5 Drawing Sheets

- (56) **References Cited**
- U.S. PATENT DOCUMENTS
- D189,462 S * 12/1960 Vogt D12/329
- D197,447 S * 2/1964 Friedrich 244/12.2
- D218,365 S * 8/1970 Sherwood D12/325
- D238,938 S * 2/1976 Mollar D12/325
- D320,378 S * 10/1991 Webster D12/319
- D418,805 S * 1/2000 Cycon 244/12.3



(56)

References Cited

U.S. PATENT DOCUMENTS

D776,570 S * 1/2017 Baruchin D12/16.1
 D787,372 S * 5/2017 Ketcher D12/16.1
 D789,248 S * 6/2017 Ketcher D12/16.1
 D798,221 S * 9/2017 Kaiser D12/325
 9,802,700 B1 * 10/2017 Essary B64C 39/024
 D808,329 S * 1/2018 Parks D12/328
 9,889,930 B2 * 2/2018 Welsh B64C 39/024
 D815,580 S * 4/2018 Kim D12/325
 D830,228 S * 10/2018 Grassi D12/16.1
 D830,897 S * 10/2018 Choi D12/16.1
 2007/0102565 A1 * 5/2007 Speer B64C 39/024
 244/2
 2007/0105474 A1 * 5/2007 Gotou A63H 27/02
 446/37
 2009/0008510 A1 * 1/2009 Posva B64C 15/14
 244/7 R
 2009/0283629 A1 * 11/2009 Kroetsch A63H 27/12
 244/17.23
 2011/0299732 A1 * 12/2011 Jonchery A63H 27/12
 382/103
 2012/0012692 A1 * 1/2012 Kroo B64C 29/0025
 244/6
 2014/0374532 A1 * 12/2014 Duffy B64C 37/02
 244/2
 2015/0148988 A1 * 5/2015 Fleck G05D 1/0011
 701/2

2015/0346721 A1 * 12/2015 Werner G05D 1/0016
 701/2
 2016/0132057 A1 * 5/2016 Kim B64C 39/024
 701/2
 2016/0200415 A1 * 7/2016 Cooper A63H 27/12
 244/17.15
 2016/0291445 A1 * 10/2016 Fisher, Sr. G03B 15/006
 2016/0378105 A1 * 12/2016 Tanigawa B08B 5/04
 134/18
 2017/0032587 A1 * 2/2017 Cheatham, III G07C 5/008
 2017/0053674 A1 * 2/2017 Fisher H04N 21/84
 2017/0113800 A1 * 4/2017 Freeman B64C 39/024
 2017/0123417 A1 * 5/2017 Gil G05D 1/0038
 2017/0152060 A1 * 6/2017 Morisawa B64D 47/08
 2017/0166309 A1 * 6/2017 Sekiya B64D 11/062
 2017/0193707 A1 * 7/2017 Seiler G06T 19/006
 2017/0197713 A1 * 7/2017 Borman A47L 5/12
 2017/0205826 A1 * 7/2017 Smith G05D 1/0094
 2017/0225782 A1 * 8/2017 Kohstall B64C 39/024
 2017/0225783 A1 * 8/2017 Fisher B64C 39/024
 2017/0313439 A1 * 11/2017 Holt B64D 45/08
 2017/0313441 A1 * 11/2017 Tsai B64C 39/024
 2017/0316701 A1 * 11/2017 Gil B64C 39/024
 2017/0323257 A1 * 11/2017 Cheatham, III ... G06Q 10/0832
 2017/0336806 A1 * 11/2017 Blanc-Paques G05D 1/042
 2017/0374277 A1 * 12/2017 Dobashi B64C 39/024
 2018/0009549 A1 * 1/2018 Sullivan B64F 1/22
 2018/0111684 A1 * 4/2018 Namgoong B64C 39/024

* cited by examiner

FIG.1

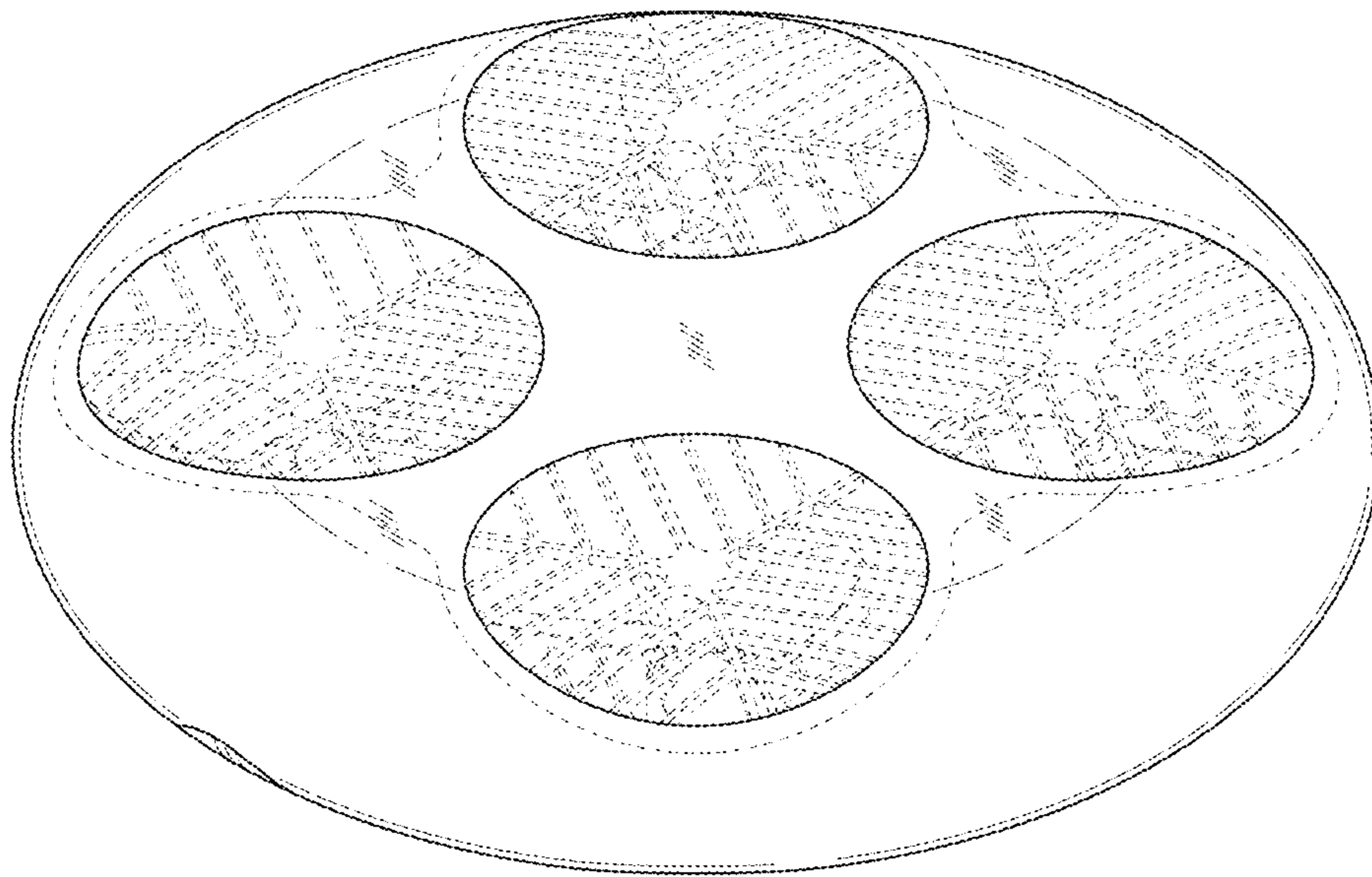


FIG.2

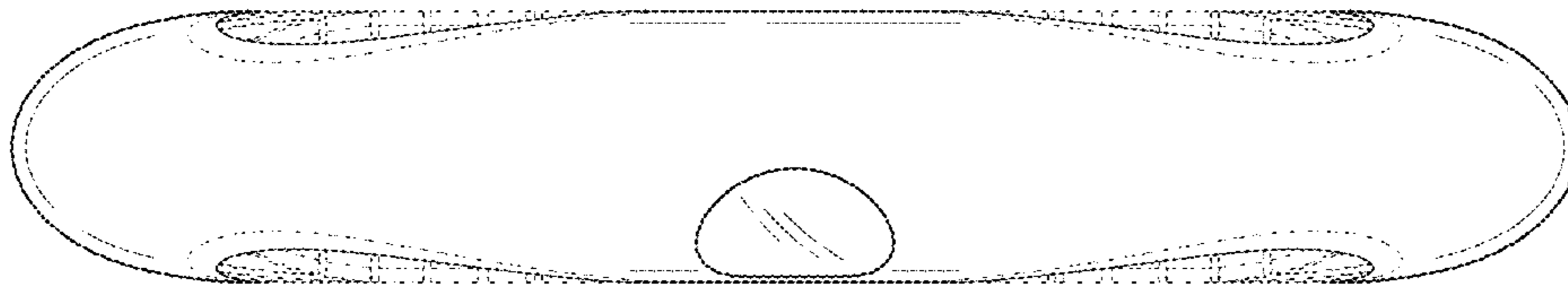


FIG.3

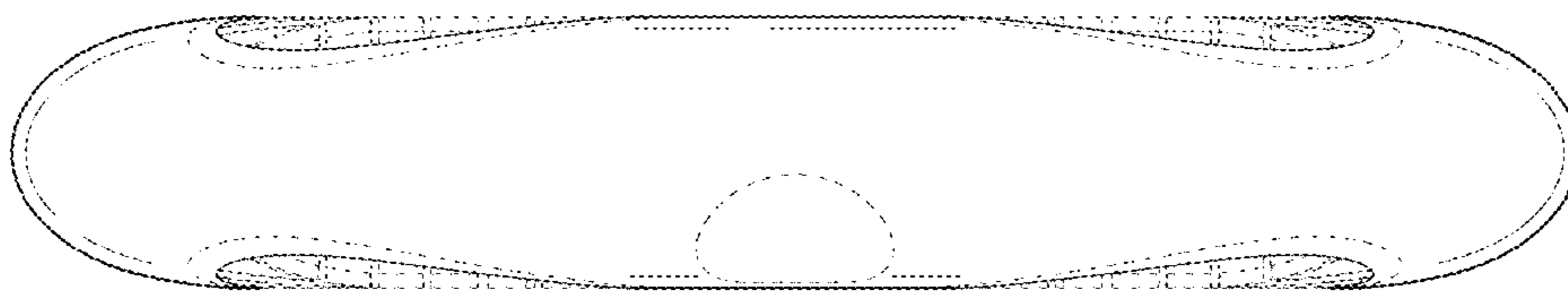


FIG.4

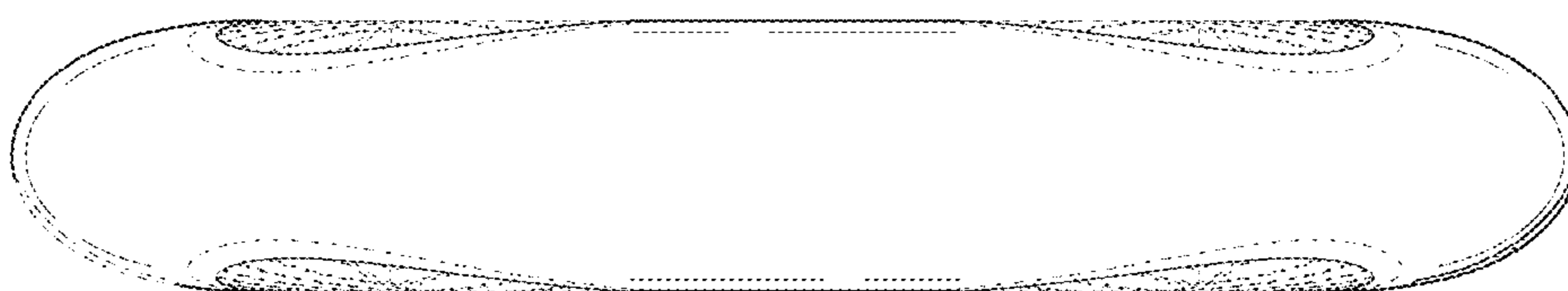


FIG.5



FIG.6

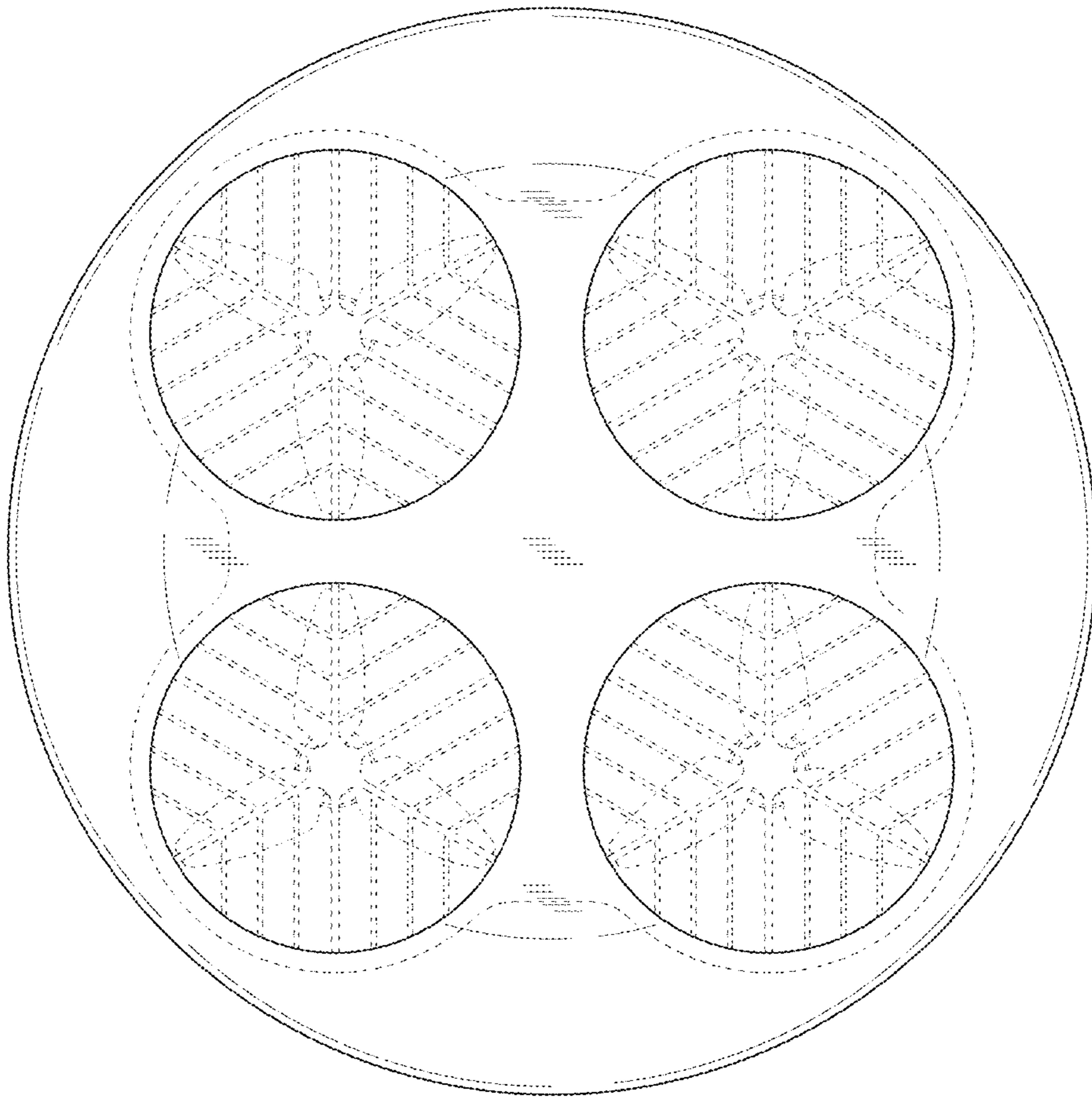


FIG.7

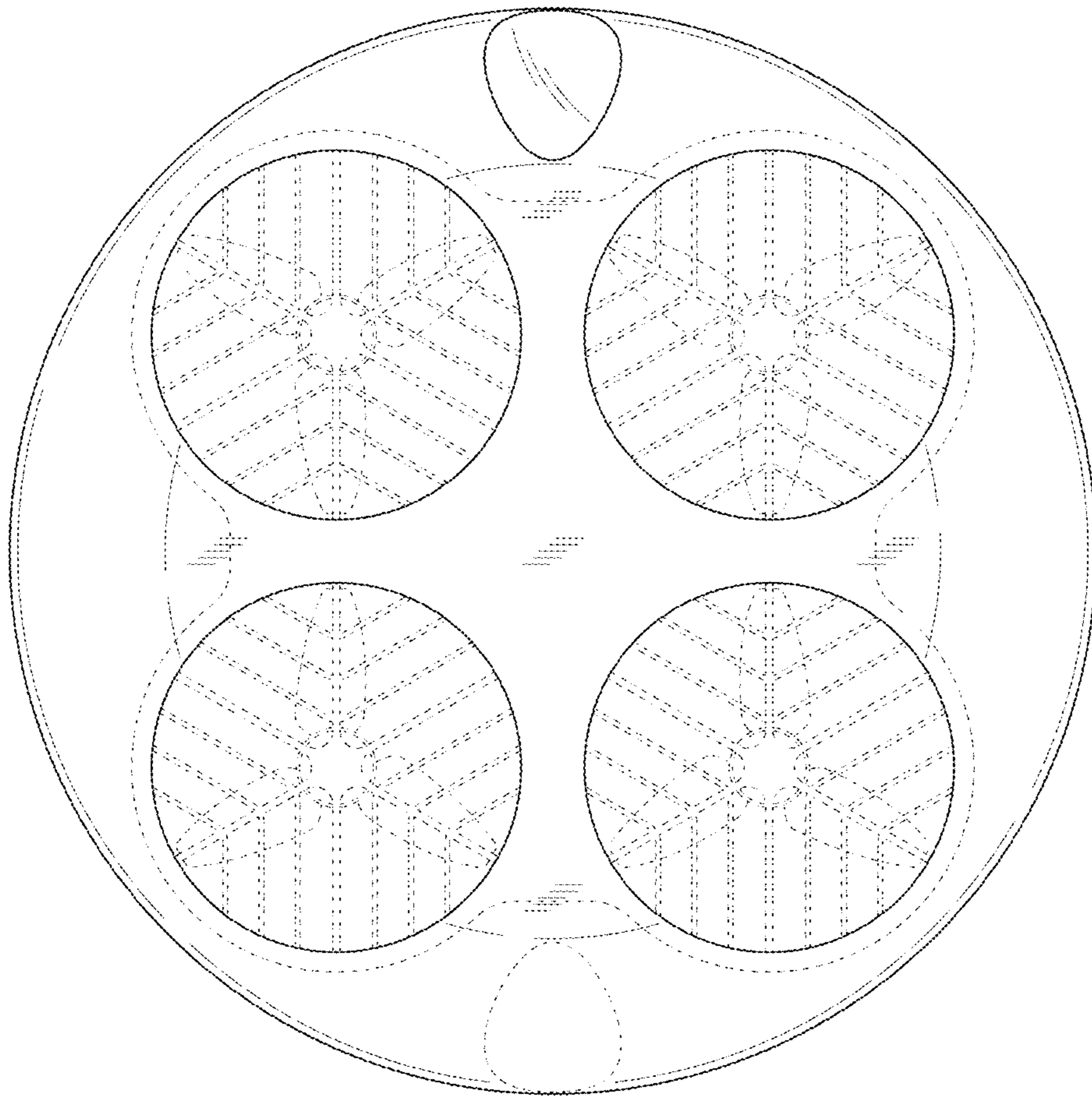


FIG.8

