



US00D846435S

(12) **United States Design Patent**
Fung

(10) **Patent No.:** **US D846,435 S**
(45) **Date of Patent:** **** Apr. 23, 2019**

(54) **EYELET FOR FASTENING**
(71) Applicant: **MULTI TREND CORPORATION LIMITED**, Kowloon (HK)
(72) Inventor: **Wing Leung Fung**, Kowloon (HK)
(73) Assignee: **MULTI TREND CORPORATION LIMITED**, Hong Kong (HK)
(**) Term: **15 Years**

D566,612 S * 4/2008 Gut D11/90
D567,142 S * 4/2008 Gut D11/208
7,618,305 B2 * 11/2009 Gut A44B 13/0052
24/697.1
7,918,711 B2 * 4/2011 Yeung A41F 1/006
24/592.1
8,359,718 B2 * 1/2013 Yeung A41F 1/006
24/591.1
D763,132 S * 8/2016 Karunaratne D11/208
D813,721 S * 3/2018 Krupa D11/208
D815,391 S * 4/2018 Zheng D2/706
D826,084 S * 8/2018 Karunaratne D11/208
2013/0068147 A1 * 3/2013 Cheung A41F 1/006
112/406

(21) Appl. No.: **29/624,235**

* cited by examiner

(22) Filed: **Oct. 31, 2017**

Primary Examiner — Ralf Seifert

(51) **LOC (11) Cl.** **02-07**

(74) *Attorney, Agent, or Firm* — Ware, Fressola, Maguire & Barber LLP

(52) **U.S. Cl.**
USPC **D11/208**

(58) **Field of Classification Search**
USPC D11/1–2, 200–220; 24/697, 163 R, 24/169–173, 177–179, 191, 194–195, 24/197, 200, 614–616, 625, 198, 698.2, 24/630; D8/349, 395; 2/321; 112/406
CPC A44B 11/26; A44B 11/25; A44B 13/0058
See application file for complete search history.

(57) **CLAIM**

I claim the ornamental design for an eyelet for fastening, as shown and described.

DESCRIPTION

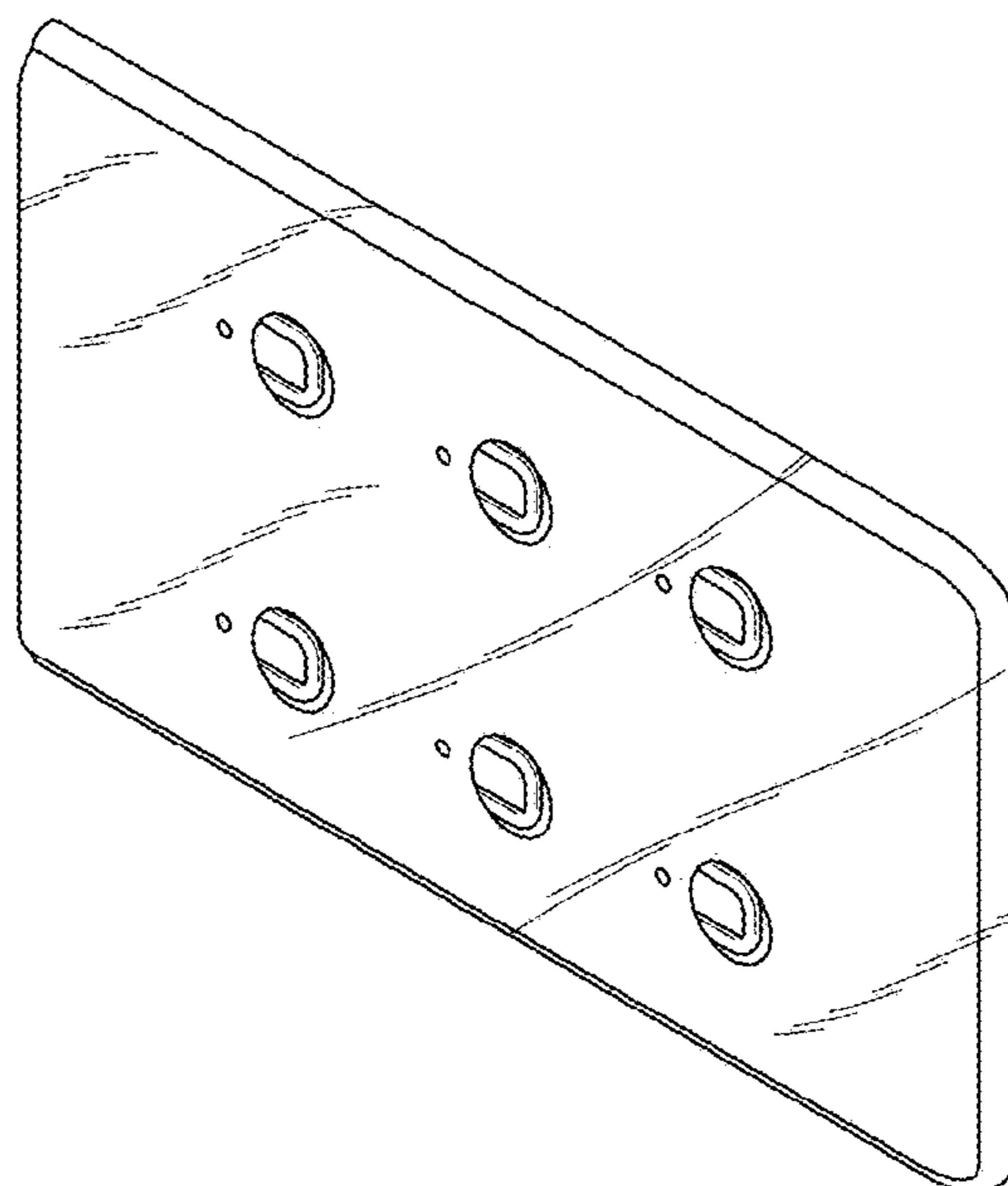
FIG. 1 is a front perspective view of an eyelet for fastening; FIG. 2 is a front view thereof; FIG. 3 is a left side view thereof; FIG. 4 is a top view thereof; FIG. 5 is a rear view thereof; FIG. 6 is a right side view thereof; and, FIG. 7 is a bottom view thereof.

(56) **References Cited**

U.S. PATENT DOCUMENTS

6,520,832 B2 * 2/2003 Devita A41F 1/006
2/251
D530,648 S * 10/2006 Utaka D11/208

1 Claim, 3 Drawing Sheets



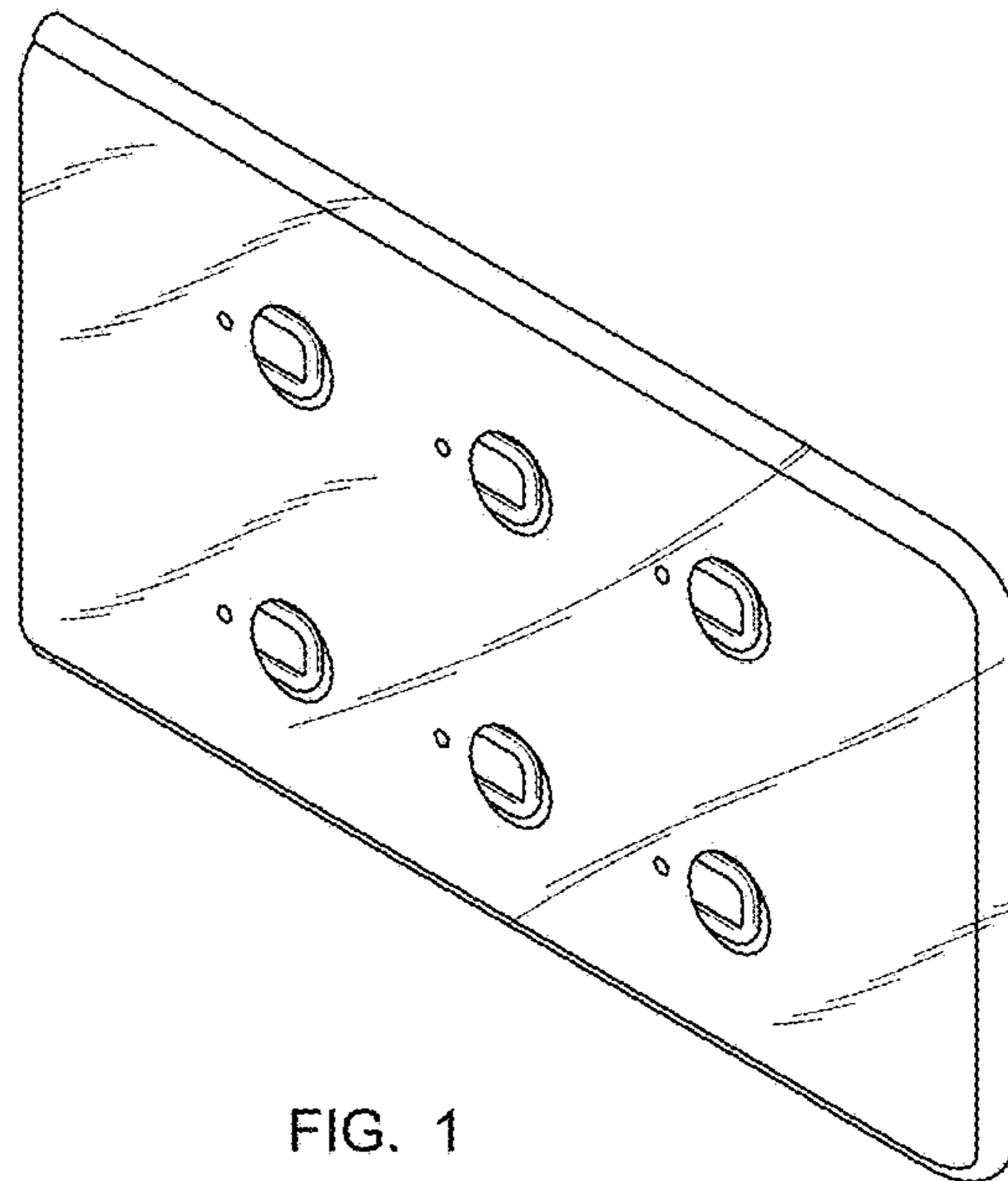


FIG. 1



FIG. 4

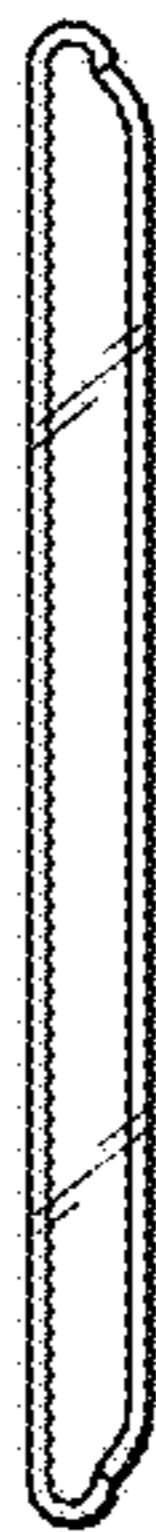


FIG. 3

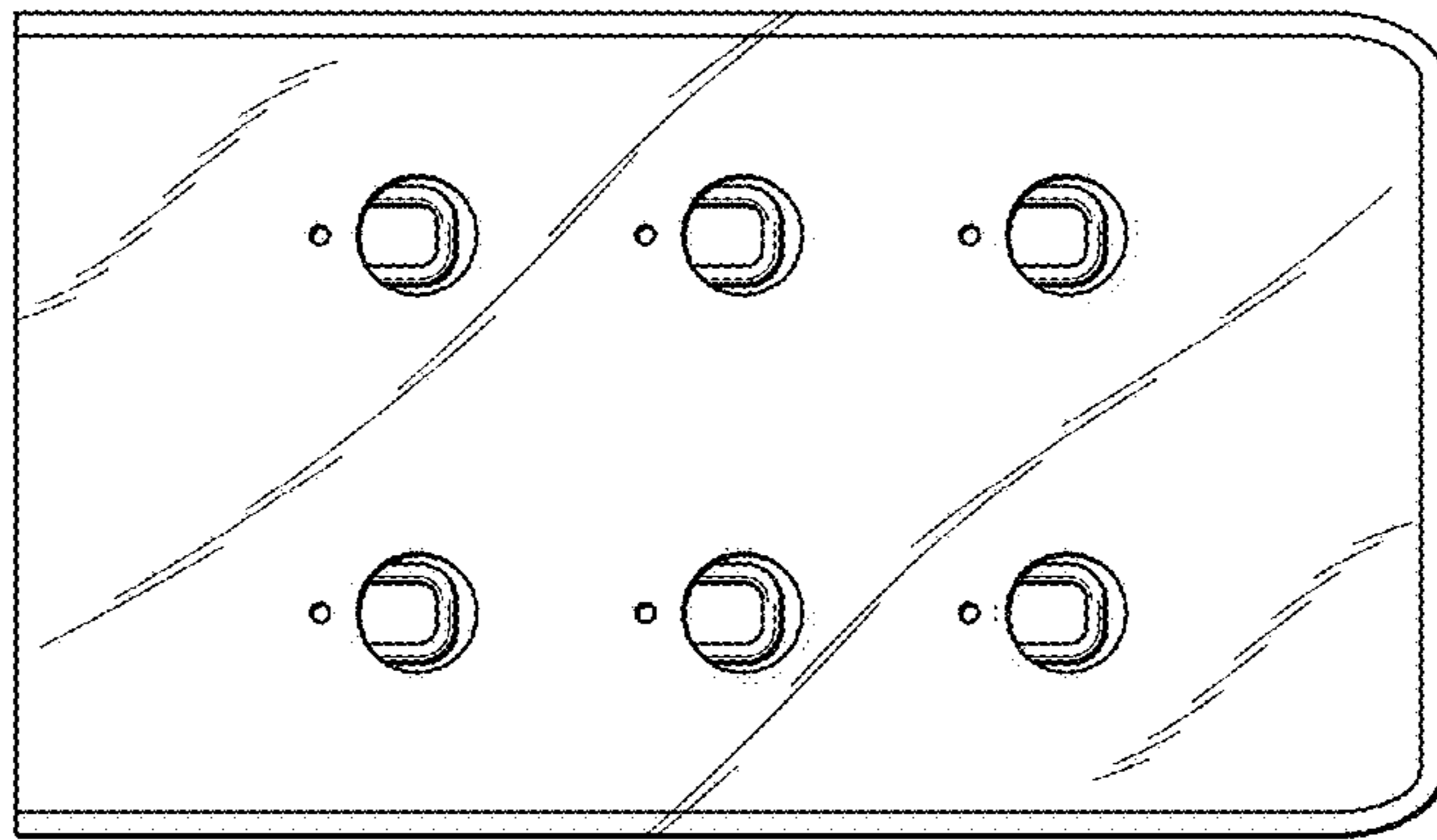


FIG. 2

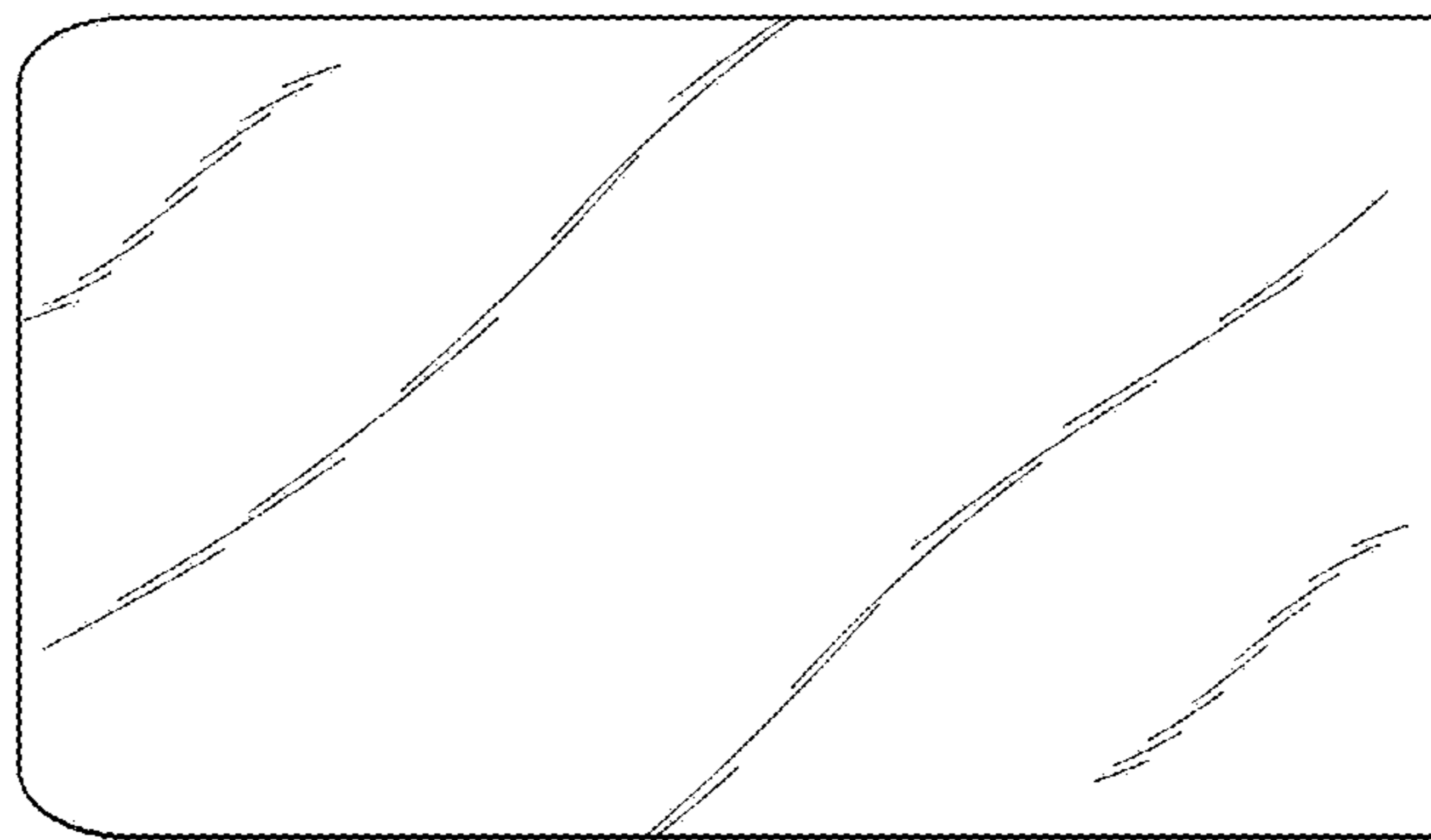


FIG. 5

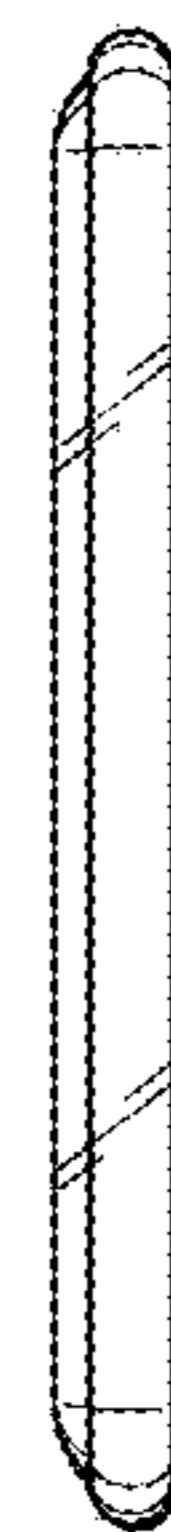


FIG. 6

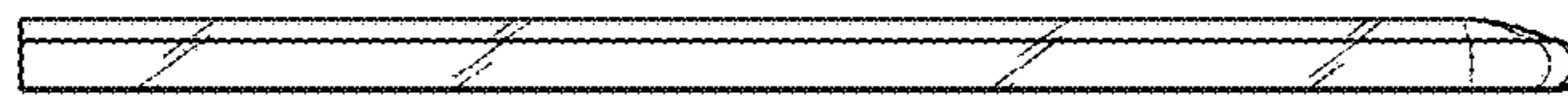


FIG. 7