



US00D846434S

(12) **United States Design Patent**
Jameson

(10) **Patent No.:** **US D846,434 S**

(45) **Date of Patent:** **** Apr. 23, 2019**

(54) **CLIP FOR A NURSING BRA FLAP**

(71) Applicant: **Nelly Jameson**, Salford (GB)

(72) Inventor: **Nelly Jameson**, Salford (GB)

(**) Term: **15 Years**

(21) Appl. No.: **29/614,299**

(22) Filed: **Aug. 17, 2017**

(51) **LOC (11) Cl.** **02-07**

(52) **U.S. Cl.**
USPC **D11/200**

(58) **Field of Classification Search**
USPC D11/1-2, 200-201, 206-210, 214-218;
24/163 R, 169-171, 173, 177-179, 191,
24/194-195, 197, 200, 614-616, 625,
24/198, 578.11, 578.1, 163 K, 114, 182;
450/36, 58
CPC .. A41C 3/00; A41C 3/04; A44B 11/00; A44B
17/00

See application file for complete search history.

(56) **References Cited**

U.S. PATENT DOCUMENTS

D176,378 S * 12/1955 Paulson D11/208
3,127,650 A * 4/1964 Seward A44B 11/2526
24/303

D369,129 S * 4/1996 Fildan 24/321
D369,327 S * 4/1996 Fildan 24/321
D434,344 S * 11/2000 Nezu D11/200
6,292,985 B1 * 9/2001 Grunberger A44B 11/2592
24/303
D472,499 S * 4/2003 Valle D11/210
D477,792 S * 7/2003 Kaneko D11/200
D567,708 S * 4/2008 Jallen D11/200
D639,707 S * 6/2011 Caskey D11/201

* cited by examiner

Primary Examiner — T Chase Nelson

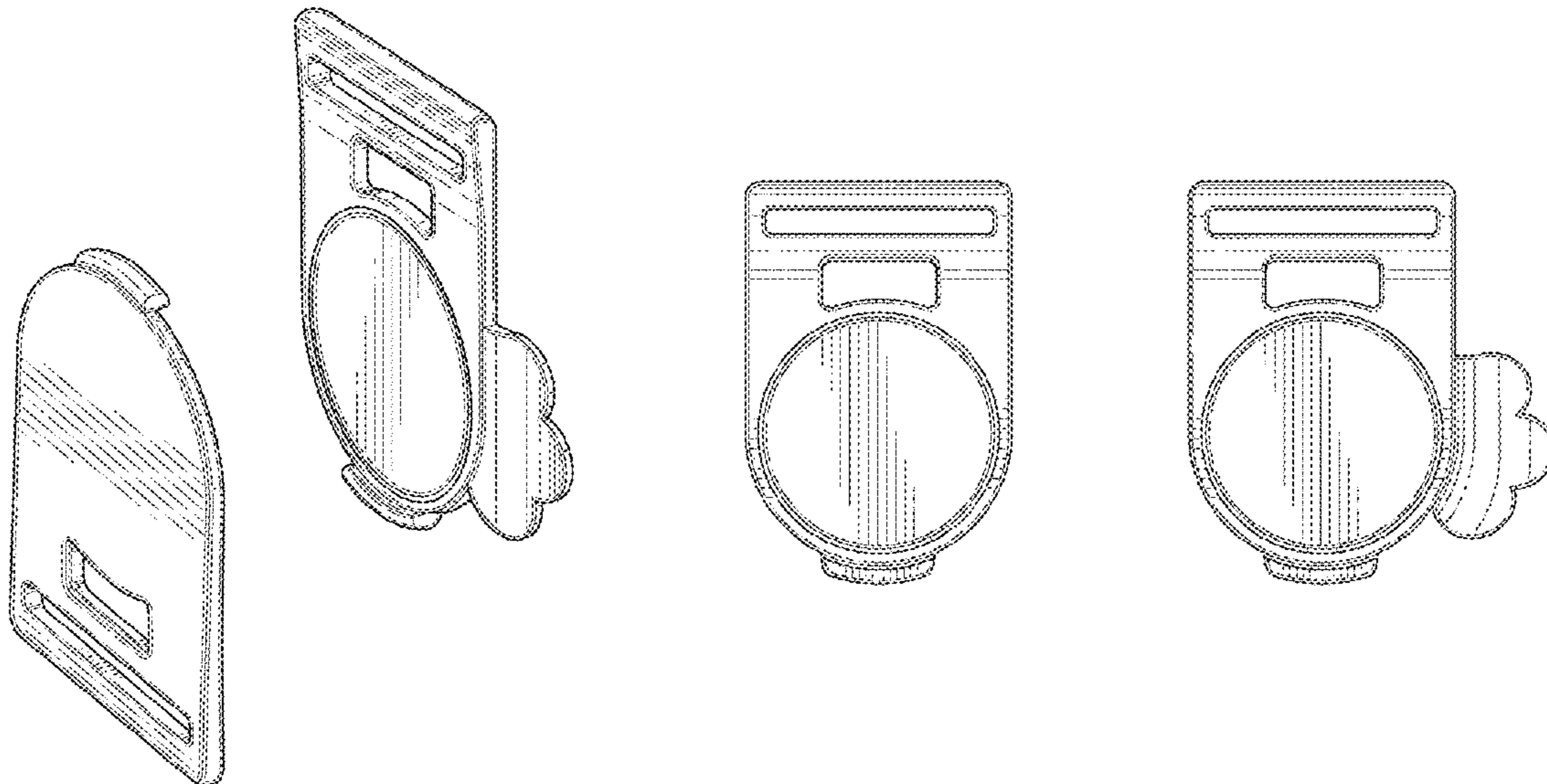
(57) **CLAIM**

I claim the ornamental design for a clip for a nursing bra flap, as shown and described.

DESCRIPTION

FIG. 1 is a disassembled perspective view of a clip for a nursing bra flap showing my new design;
FIG. 2 is a front view of FIG. 1;
FIG. 3 is a back view of FIG. 1;
FIG. 4 is a left side view of FIG. 1;
FIG. 5 is a right side view of FIG. 1;
FIG. 6 is a bottom side view of FIG. 1;
FIG. 7 is a top side view of FIG. 1; and,
FIG. 8 is a perspective, assembled view of the clip of FIG. 1.

1 Claim, 6 Drawing Sheets



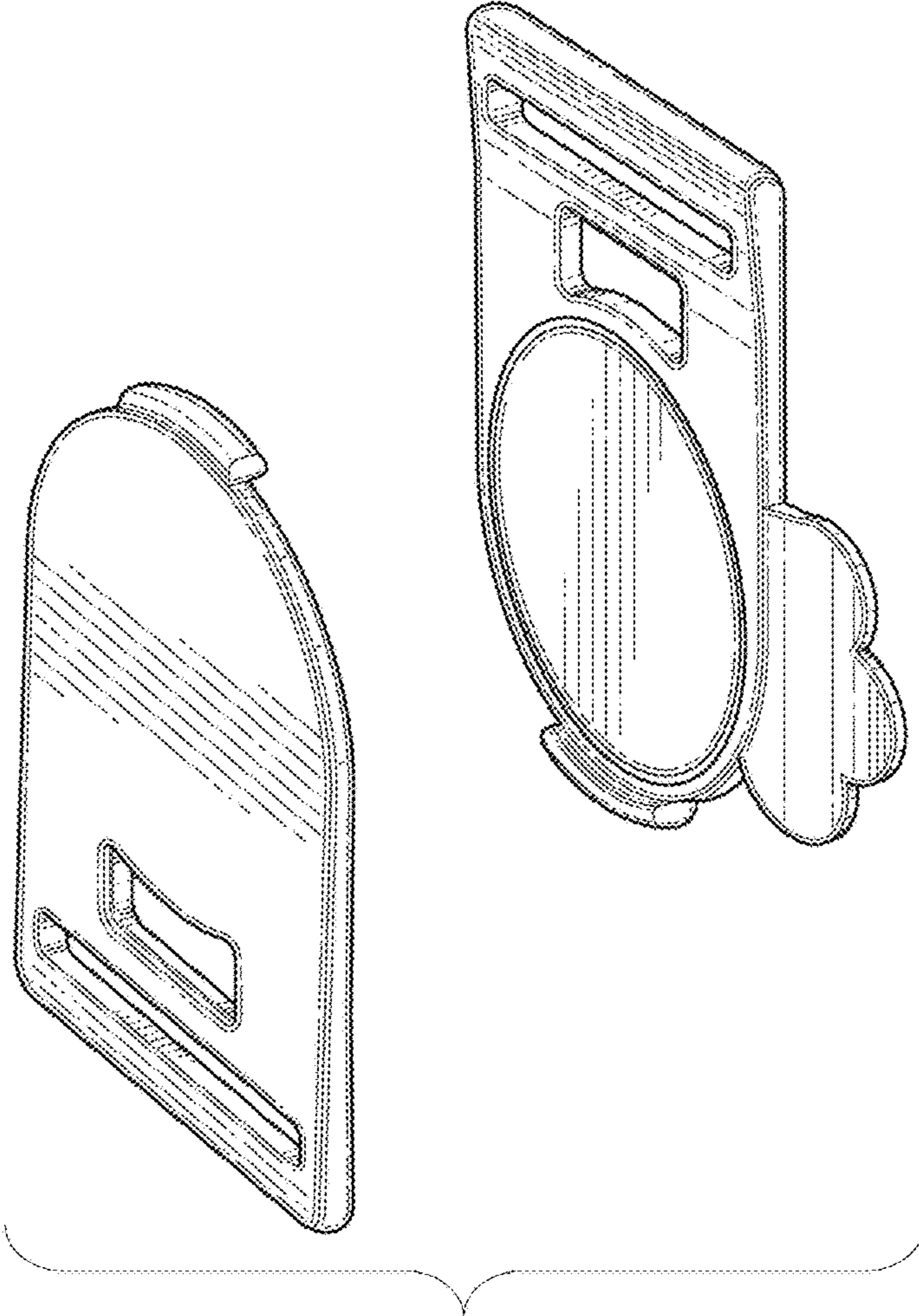


FIG. 1

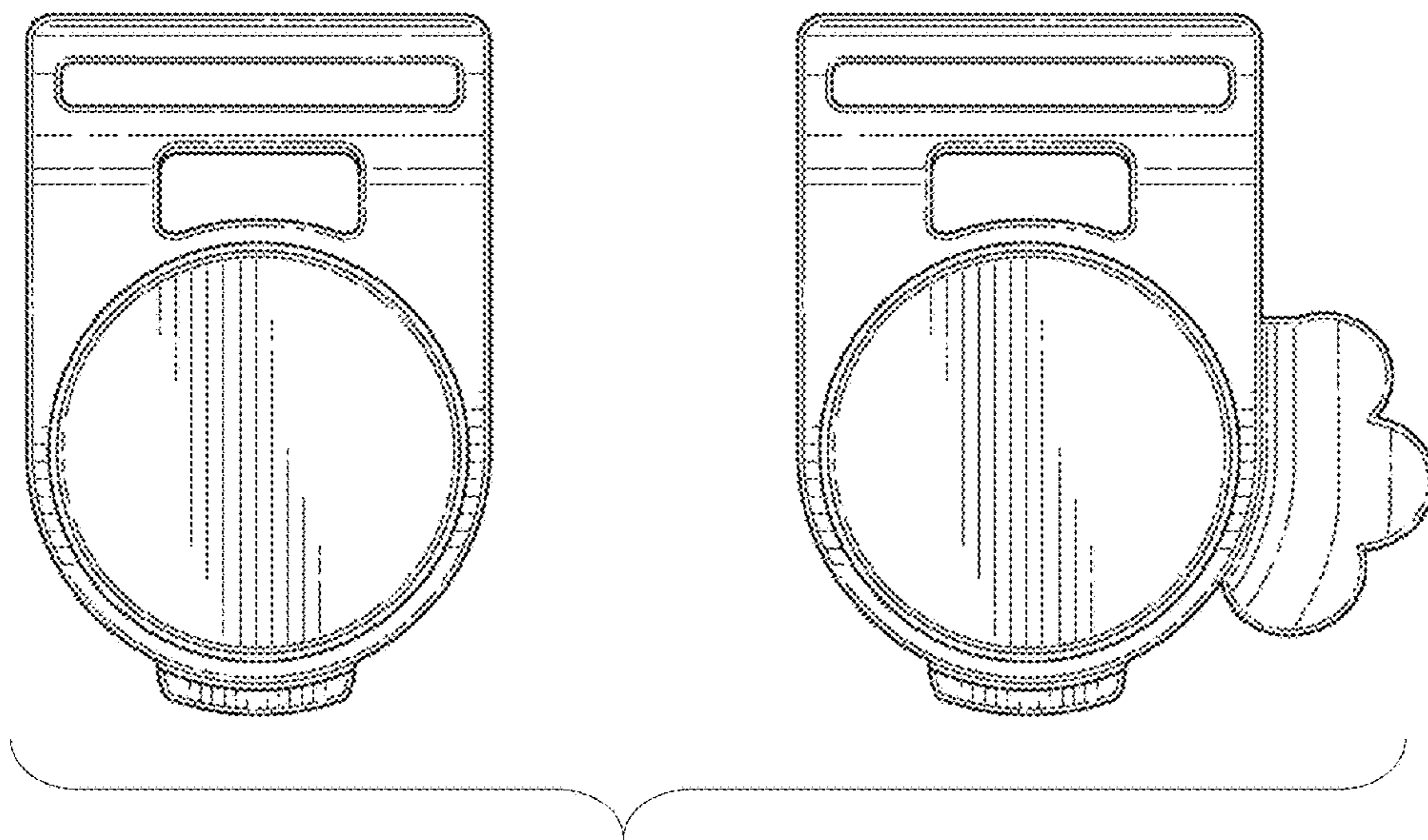


FIG. 2

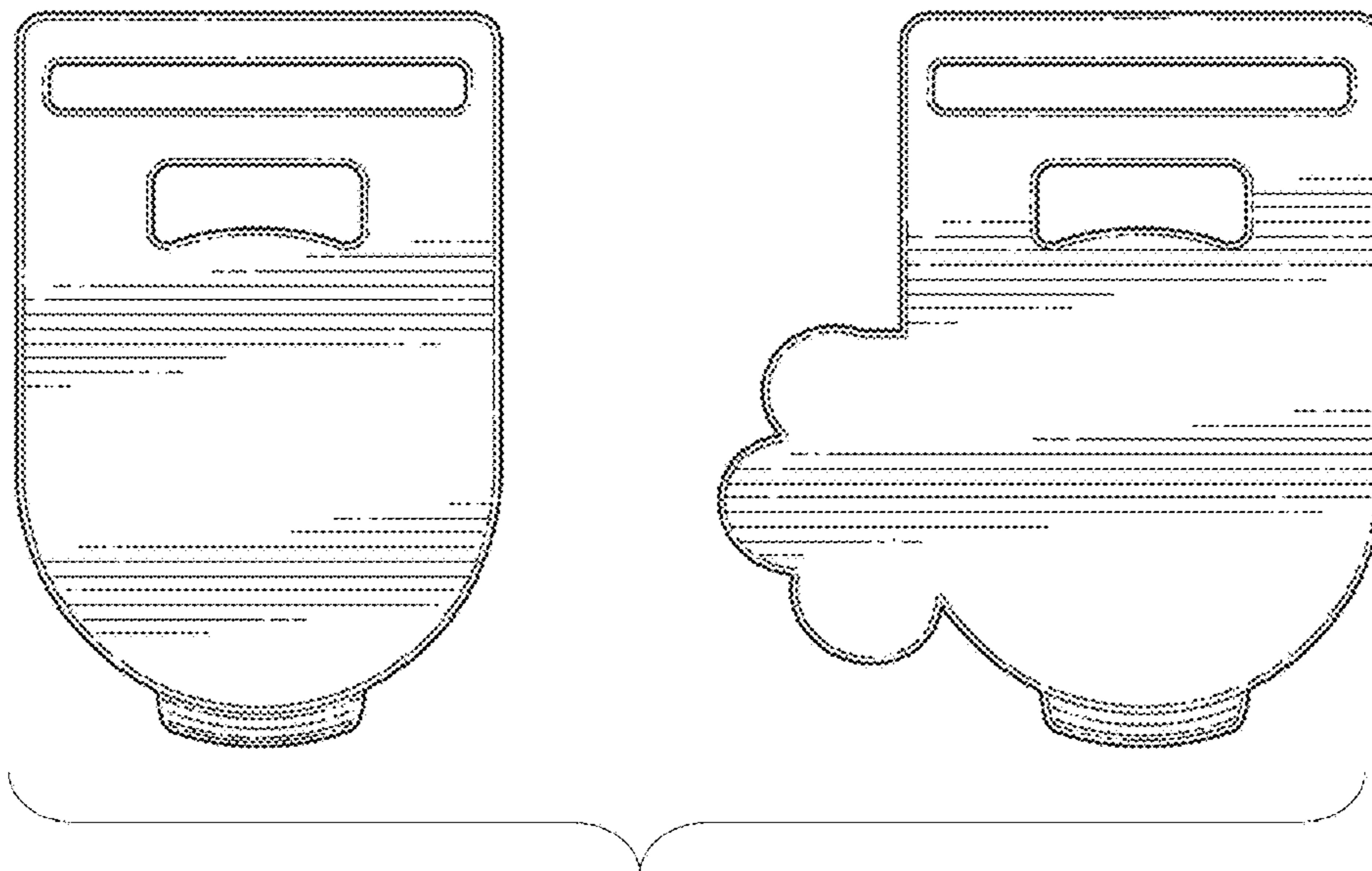


FIG. 3

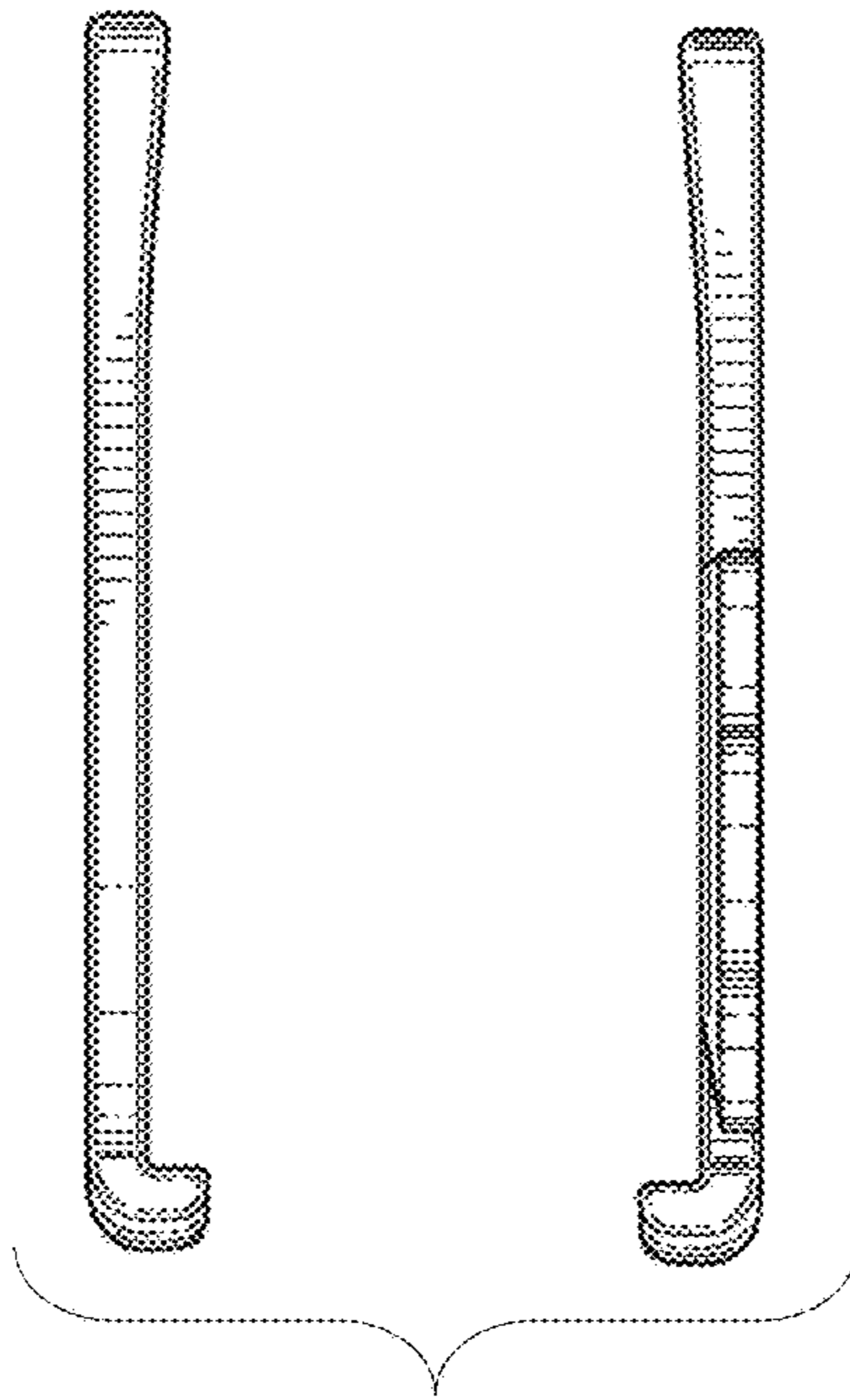


FIG. 4

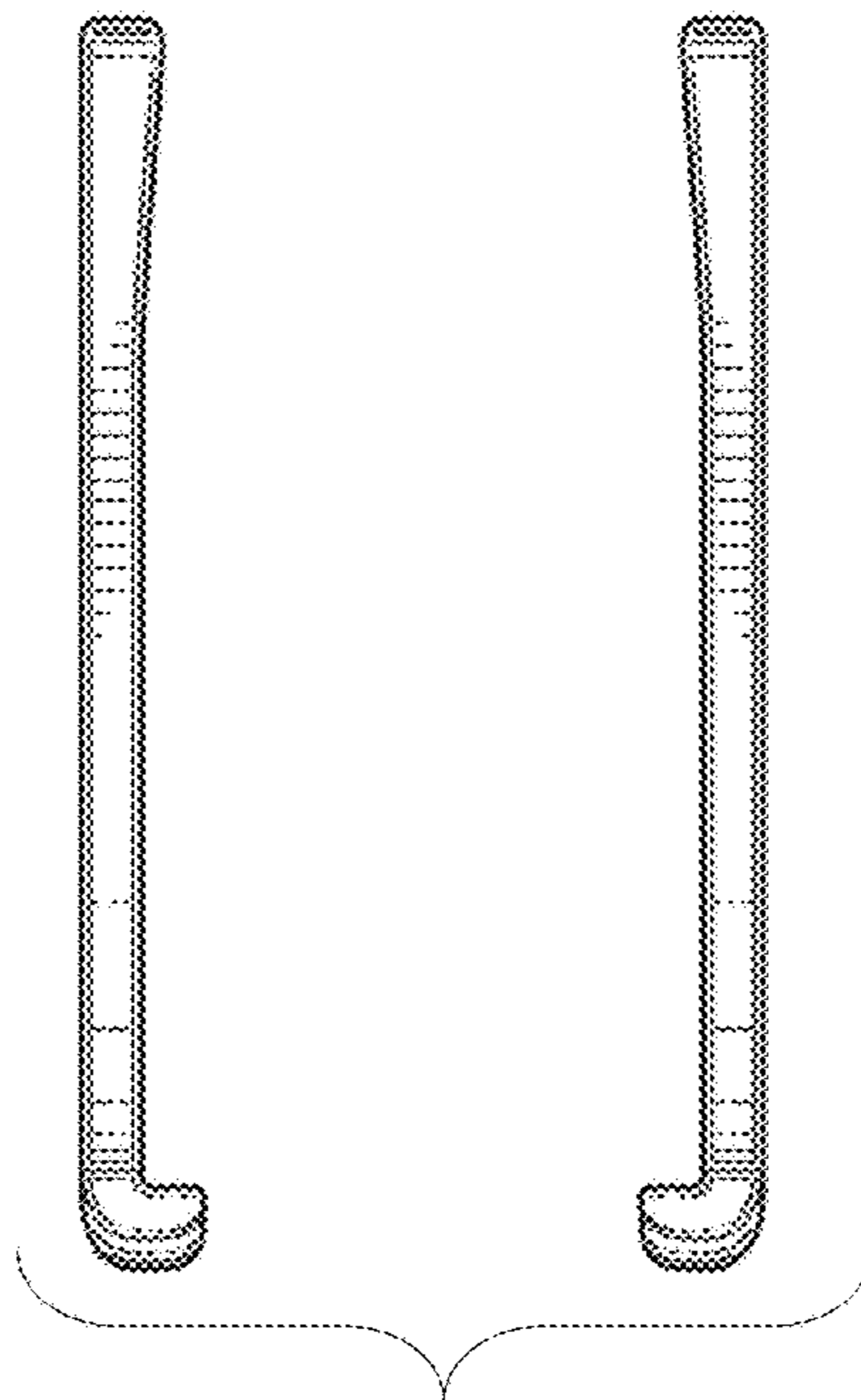


FIG. 5

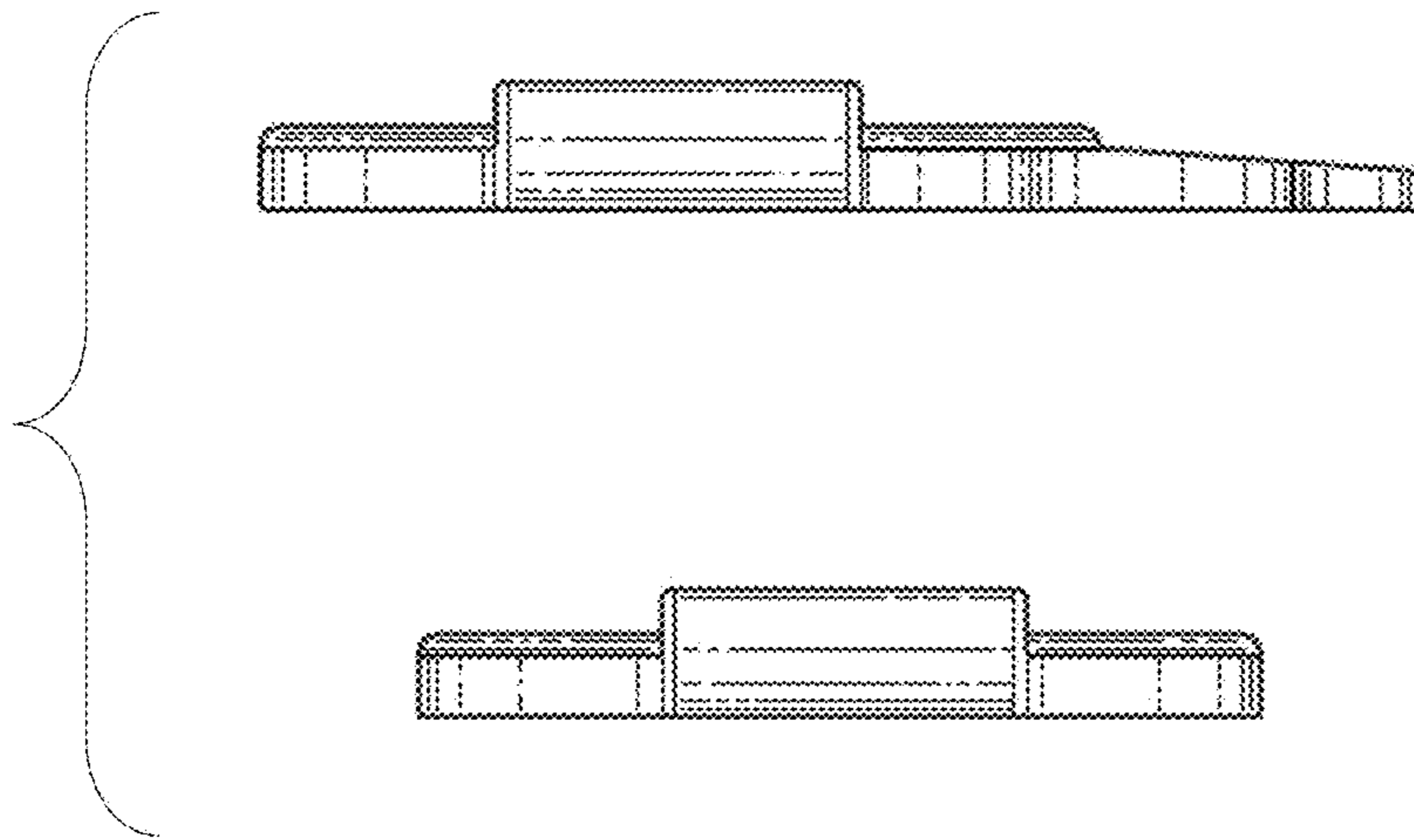


FIG. 6

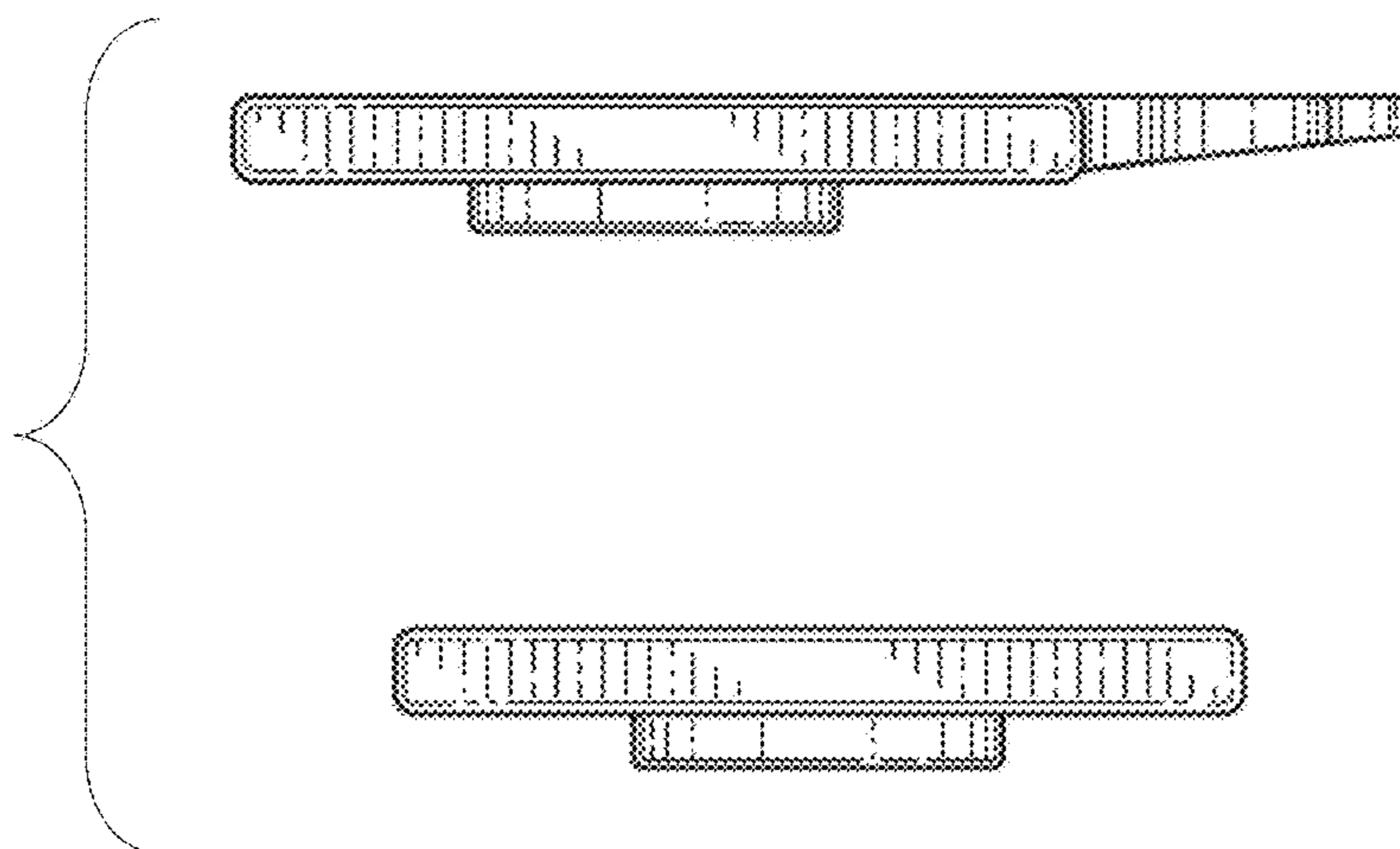


FIG. 7

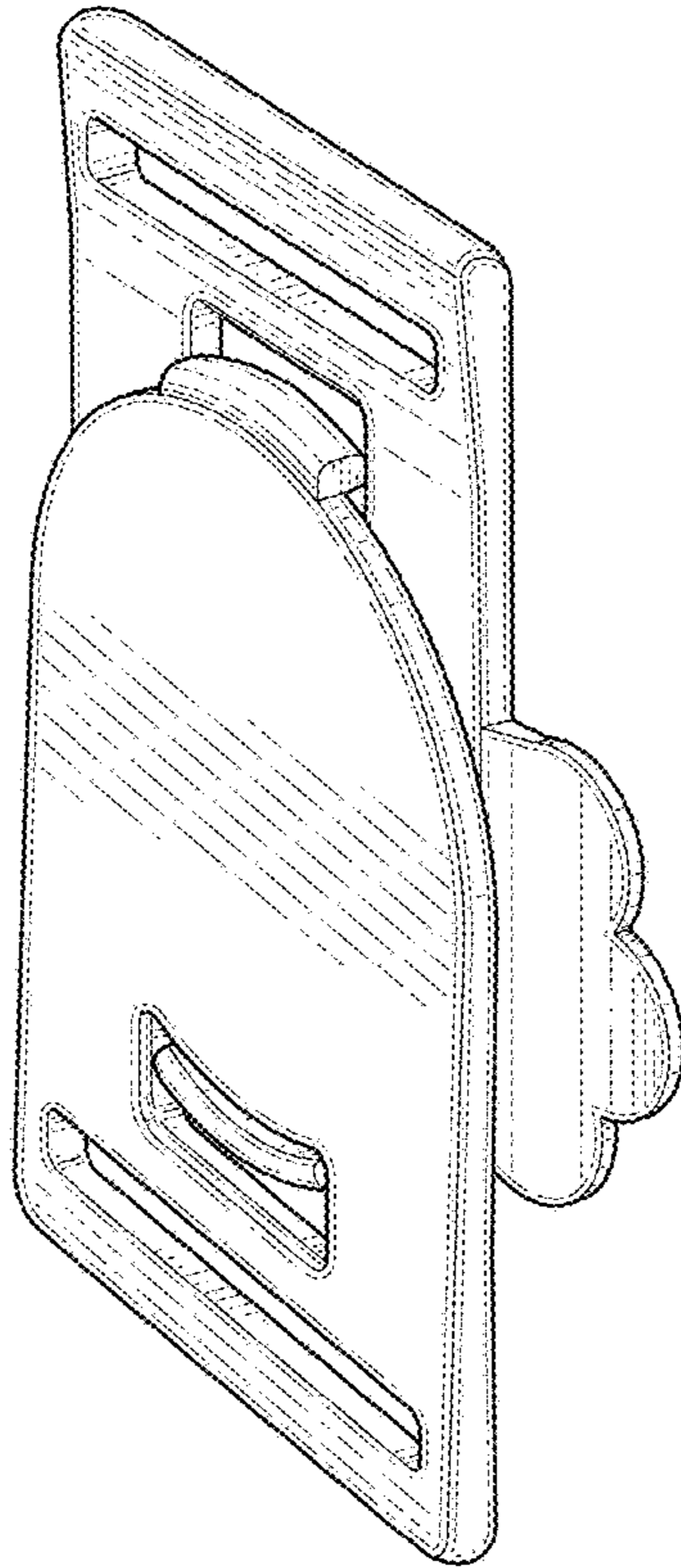


FIG. 8