



US00D846433S

(12) **United States Design Patent**
Charria et al.

(10) **Patent No.:** **US D846,433 S**
(45) **Date of Patent:** **** Apr. 23, 2019**

(54) **FIGURINE**

- (71) Applicant: **MEGA Brands Inc.**, Montreal (CA)
- (72) Inventors: **Sylvain Charria**, Montreal (CA);
Thierry Beauregard, Boisbriand (CA)
- (73) Assignee: **MEGA Brands Inc.**, Montreal, Quebec (CA)
- (**) Term: **15 Years**
- (21) Appl. No.: **29/608,816**
- (22) Filed: **Jun. 26, 2017**

Related U.S. Application Data

- (63) Continuation-in-part of application No. 29/604,606, filed on May 18, 2017, now Pat. No. Des. 829,127, which is a continuation of application No. 29/560,971, filed on Apr. 12, 2016, now Pat. No. Des. 790,395.

(51) **LOC (11) Cl.** **11-02**

(52) **U.S. Cl.**
USPC **D11/160; D21/621; D21/623**

(58) **Field of Classification Search**

USPC D11/30-32, 48, 49, 53-58, 81-83, D11/99-104, 107, 121, 125-128, 131, D11/133-137, 142, 149, 150, 157, 158, D11/160, 162, 184; D21/483, 576, 578, D21/579, 585, 587, 593, 594, 606, 621, D21/623, 626, 630, 633, 653, 658; D20/29-33; 446/97-99, 102-106, 446/124-128, 268, 313, 330, 371, 376, 446/377, 387, 388, 390; 428/4, 8, 9, 11

See application file for complete search history.

(56) **References Cited**

U.S. PATENT DOCUMENTS

D188,667 S * 8/1960 De May D11/160
D239,634 S 4/1976 Knudsen et al.

(Continued)

OTHER PUBLICATIONS

Mega Bloks Peter Police Car Building Set, available Feb. 21, 2017, [online], [site visited Jul. 20, 2018]. Available from internet, <URL: https://www.amazon.com/Mega-Bloks-Peter-Police-Building/dp/B01CW6EFDm/ref=cm_cr_ar_p_d_product_top?ie=UTF8 (Year: 2017).*

(Continued)

Primary Examiner — Cathron C Brooks

Assistant Examiner — W. A. Teddy Falloway

(74) *Attorney, Agent, or Firm* — Plumsea Law Group, LLC

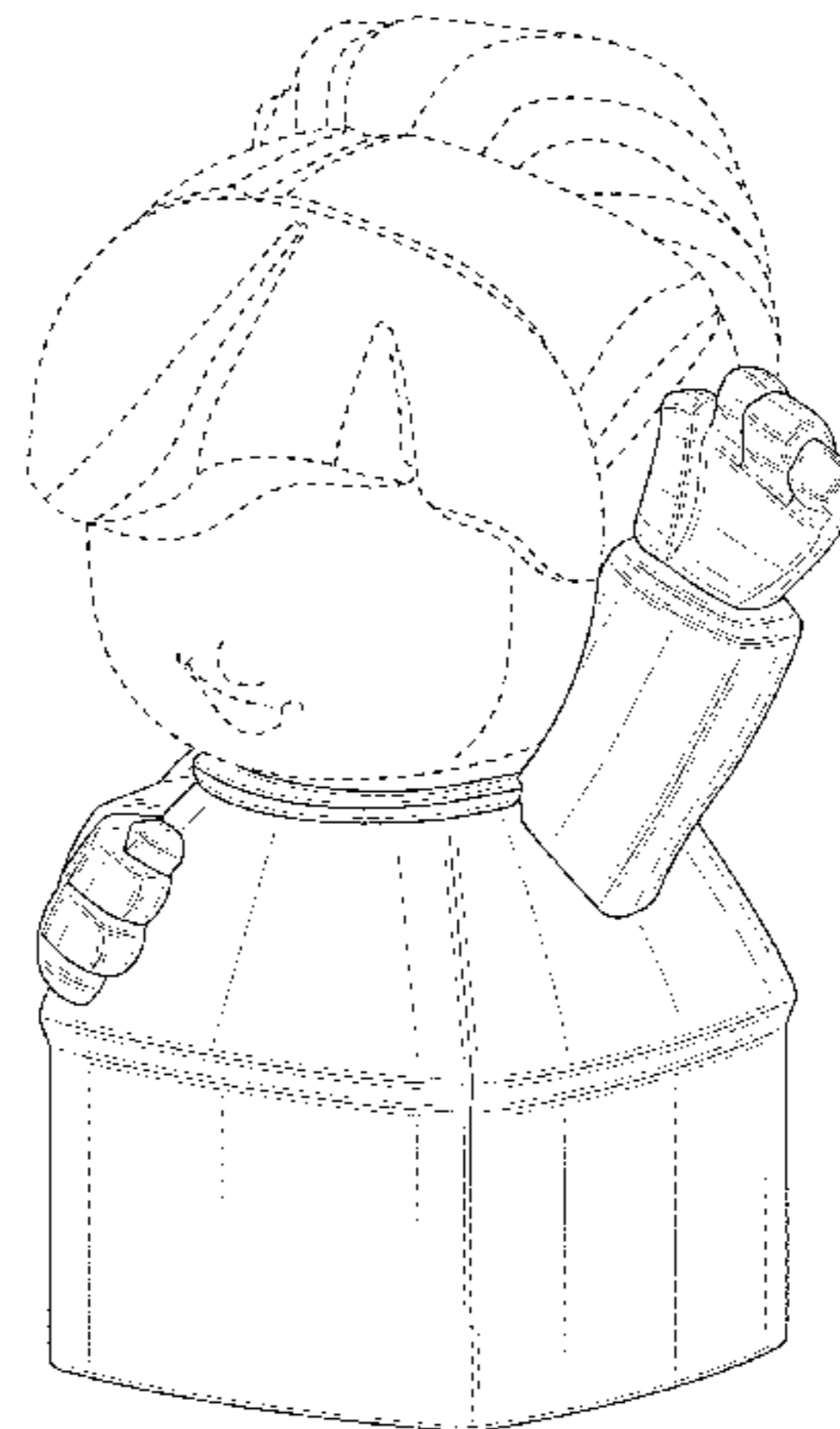
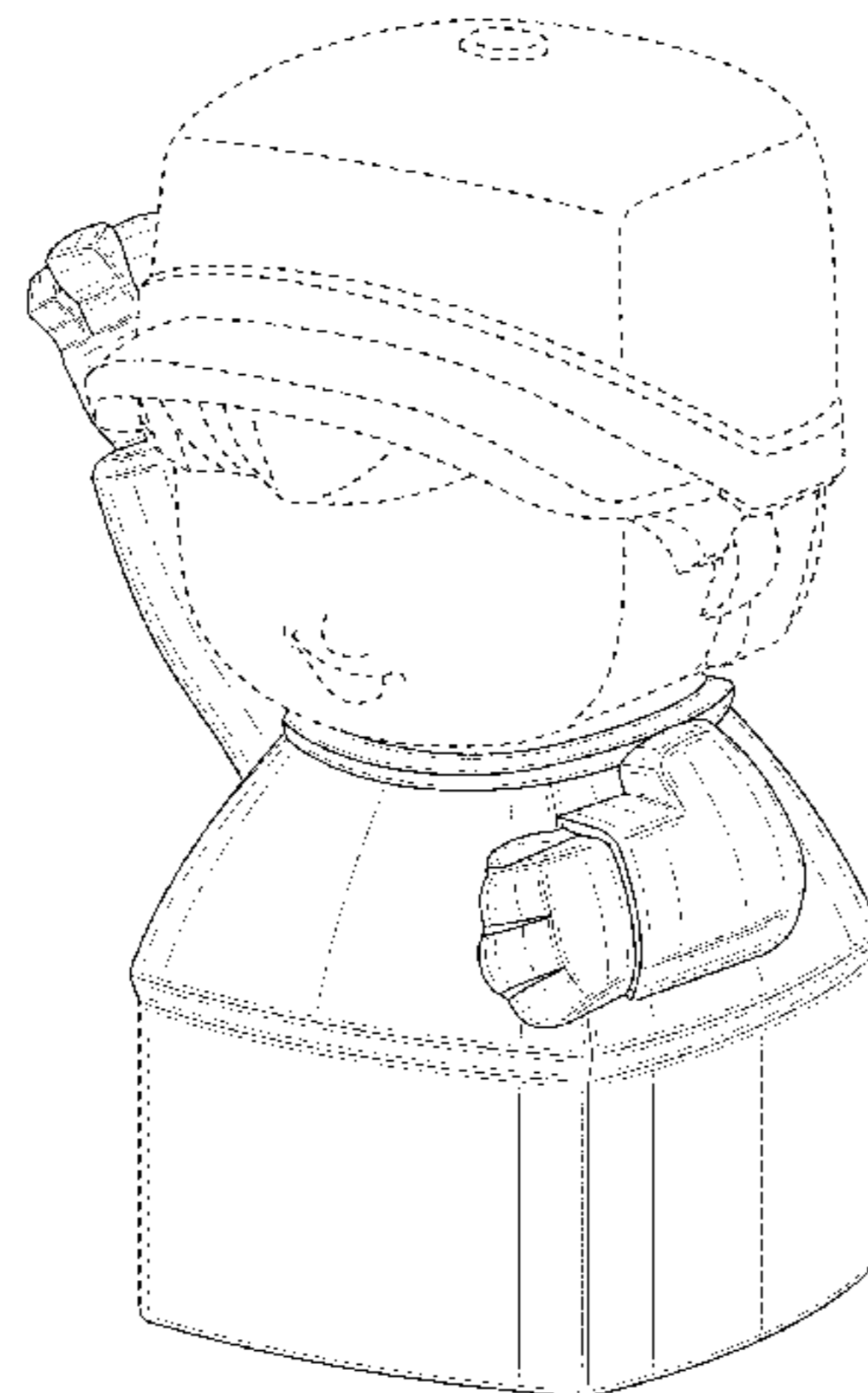
(57) **CLAIM**

The ornamental design for a figurine, as shown and described.

DESCRIPTION

FIG. 1 is a top isometric perspective view of a first embodiment of a figurine showing the new design; FIG. 2 is a front elevational view thereof; FIG. 3 is a rear elevational view thereof; FIG. 4 is a side elevational view thereof; FIG. 5 is an opposite side elevational view thereof; FIG. 6 is a top plan view thereof; FIG. 7 is a bottom plan view thereof; FIG. 8 is a top isometric perspective view of a second embodiment of a figurine showing the new design; FIG. 9 is a front elevational view thereof; FIG. 10 is a rear elevational view thereof; FIG. 11 is a side elevational view thereof; FIG. 12 is an opposite side elevational view thereof; FIG. 13 is a top plan view thereof; and, FIG. 14 is a bottom plan view thereof. The broken lines illustrate portions of the figurine that form no part of the claimed design.

1 Claim, 14 Drawing Sheets



(56)

References Cited

U.S. PATENT DOCUMENTS

D239,846	S	5/1976	Knudsen et al.	
D248,115	S	6/1978	Tapdrup	
D248,172	S	6/1978	Tapdrup	
D248,173	S	6/1978	Tapdrup	
D248,174	S	6/1978	Tapdrup	
D248,175	S	6/1978	Tapdrup	
D248,176	S	6/1978	Tapdrup	
D248,177	S	6/1978	Tapdrup	
D248,178	S	6/1978	Tapdrup	
D248,582	S	7/1978	Tapdrup	
D250,758	S *	1/1979	Braddock	D11/160
D251,261	S	3/1979	Tapdrup	
D253,711	S	12/1979	Christiansen et al.	
D255,813	S	7/1980	Pape et al.	
D259,647	S	6/1981	Takahashi	
D259,648	S	6/1981	Takahashi	
D260,159	S	8/1981	Takahashi	
D260,665	S	9/1981	Yamashina	
D278,645	S	4/1985	Nielsen	
D278,735	S	5/1985	Nielsen	
D279,494	S	7/1985	Nielsen	
D282,944	S	3/1986	Nielsen	
D283,149	S	3/1986	Nielsen	
D283,150	S	3/1986	Jensen	
D283,906	S	5/1986	Nielsen	
D284,091	S	6/1986	Arnau	
D291,585	S	8/1987	Bertrand	
D301,499	S	6/1989	Tapdrup	
D301,500	S	6/1989	Tapdrup	
D325,605	S	4/1992	Holmstrom	
D329,069	S	9/1992	Holmstrom	
D329,070	S	9/1992	Holmstrom	
D329,884	S	9/1992	Holmstrom	
D332,117	S	12/1992	Holmstrom	
D362,879	S	10/1995	Jensen	
D391,519	S *	3/1998	Silvers	D11/157
D473,485	S *	4/2003	Danon	D11/128
D481,083	S	10/2003	Bresciani et al.	
D494,642	S	8/2004	Bresciani et al.	
D494,643	S	8/2004	Bresciani et al.	
D495,764	S	9/2004	Bresciani et al.	
D504,708	S	5/2005	Wang	
D531,084	S	10/2006	McGowen et al.	
D531,541	S	11/2006	McGowen et al.	
D531,542	S	11/2006	McGowen et al.	
D611,108	S	3/2010	Bodin	
D631,786	S	2/2011	Palmer	
D638,980	S *	5/2011	van der Lande	D11/160
D639,353	S	6/2011	Stibolt	
D672,410	S	12/2012	Dubreuil et al.	
D672,411	S	12/2012	Dubreuil et al.	
D672,412	S	12/2012	Dubreuil et al.	
D672,413	S	12/2012	Dubreuil et al.	
D726,587	S *	4/2015	Collicott	D11/160
D726,588	S *	4/2015	Collicott	D11/160
D740,683	S	10/2015	Kassouni	
D746,171	S	12/2015	Lau et al.	
D749,176	S *	2/2016	Collicott	D13/102
D760,328	S	6/2016	Croston et al.	
D760,330	S	6/2016	Croston et al.	
D762,787	S	8/2016	Barbiani et al.	
D784,850	S	4/2017	Kawase	
D790,395	S	6/2017	Beauregard et al.	
D792,960	S	7/2017	Locker et al.	
D821,257	S *	6/2018	Parisi	D11/128
D829,127	S *	9/2018	Beauregard	D11/160
2005/0153623	A1 *	7/2005	Shrock	A63H 3/00 446/268
2008/0009217	A1	1/2008	Leonhardt	
2014/0227936	A1	8/2014	Botterill et al.	

OTHER PUBLICATIONS

Mega Bloks Purple School Bus Building Set, available Dec. 21, 2017, [online], [site visited Jul. 20, 2018]. Available from internet,

<URL: https://www.amazon.com/Mega-Bloks-Purple-School-Building/dp/B01CW6ELBI/ref=pd_sim_21_6?encoding=UTF8&pd_rd_i=B01CW6ELBI&pd_rd_r=MX61BP (Year: 2017).*

Mega Bloks My First Builders Building Blocks People Figurines, available Oct. 30, 2018, [online], [site visited Nov. 17, 2018]. Available from internet, <URL: <https://picclick.com/Mega-Bloks-My-First-Builders-Building-Blocks-People-312267184704.html> (Year: 2018).*

Mega Bloks—First Builders—Block Buddies—Hero Team, available Mar. 1, 2014, [online], [site visited Nov. 17, 2018]. Available from internet, <URL: <https://www.amazon.com/Mega-Bloks-First-Builders-Buddies/dp/B00DIGKRUG> (Year: 2014).*

Mega Bloks—First Builders—Block Buddies—Friends, available Mar. 10, 2014, [online], [site visited Nov. 17, 2018]. Available from internet, <URL: https://www.amazon.com/Mega-Bloks-Builders-Buddies-Friends/dp/B00DIGPGBG/ref=cm_cr_pr_sims_t (Year: 2014).*

Mega Bloks Spin 'n Play Spinning Garage Playset, available Dec. 6, 2016, [online], [site visited Nov. 17, 2018]. Available from internet, <URL: <https://www.amazon.com/Mega-Bloks-Spinning-Garage-Playset/dp/B014WTHV74/ref=pd> (Year: 2016).*

Fisher-Price Big Helpers Family, available Oct. 2, 2018, [online], [site visited Nov. 17, 2018]. Available from internet, <URL: <https://www.amazon.com/Fisher-Price-Big-Helpers-Family-Multicolor/dp/B079JTFMGT/ref=pd> (Year: 2018).*

Amendment filed Mar. 8, 2018 in Design U.S. Appl. No. 29/604,606. Notice of Allowance dated May 22, 2018 in Design U.S. Appl. No. 29/604,606.

Office Action dated Dec. 15, 2017 in Design U.S. Appl. No. 29/604,606.

“Mega Bloks Rescue Squad, First Builders,” Mega Bloks item #6623, <URL: <https://web.archive.org/web/20130831045609/http://www.megabloks.com/en-us/shop/construction-toys/first-builders/rescue-squad-6623>>, 3 pages, published Aug. 31, 2013.

“Mega Bloks Block Buddies, First Builders,” Mega Bloks item #81215, <URL: <https://web.archive.org/web/20140808082347/http://www.megabloks.com/en-us/shop/construction-toys/first-builders/block-buddies-81215>>, 2 pages, published Aug. 8, 2014.

“Mega Bloks Collection: Dora the Explorer,” <URL: <https://web.archive.org/web/20141019205539/http://www.megabloks.com/en-ca/shop/construction-toys/dora-the-explorer>>, 3 pages, published Oct. 19, 2014.

“Duplo Figure Bust Short with Striped Dungarees and Black Male Hair,” Lego Part 2327cx1, first produced 1994 according to: <URL: <http://www.peeron.com/inv/parts/2327cx1>>, 2 pages.

“Duplo Figure Bust Short with Suspenders, Yellow Freckle Nose, and Red Male Hair,” Lego Part 2327cx3, first produced 1992 according to: <URL: <http://www.peeron.com/inv/parts/2327cx3>>, 2 pages.

“Duplo Figure Bust Tall with Freckle Nose and Brown Ragged Male Hair,” Lego Part x829cx12, first produced 1984 according to: <URL: <http://www.peeron.com/inv/parts/x829cx12>>, 3 pages.

“Duplo Figure Bust Tall with Male Face (Thick Eyebrows) and Yellow Derby Hat,” Lego Part x829cx23, first produced 1980 according to: <URL: <http://www.peeron.com/inv/parts/x829cx23>>, 3 pages.

“Mega Bloks Block Buddies My Pony Stable Instructions,” 2004, 6 pages.

Mega Bloks First Builders School Bus Building Set (via Amazon), available Feb. 1, 2017, [online], [site visited Feb. 1, 2017]. Available from internet, <URL: https://www.amazon.com/Mega-Bloks-Builders-School-Building/dp/B01CW6EL72/ref=pd_sim_21_3?encoding=UTF8&pd_rd_i=B01CW6EL72&pd_rd_r=Q3W4BME1AB6XPVDJ7HJX&pd_rd_w=EIOMK&pd_rd_wg=urqUF&psc=1&refRID=Q3.

Mega Bloks Pink Convertible Building Set (via Amazon), available Jan. 4, 2017, [online], [site visited Feb. 1, 2017]. Available from internet, <URL: https://www.amazon.com/Mega-Bloks-Pink-Convertible-Building/dp/B01CW6EL0E/ref=cm_cr_ap_d_pdt_img_top?ie=UTF8.

(56)

References Cited

OTHER PUBLICATIONS

Mega Bloks Dylan Dump Truck (via Amazon), available Jan. 17, 2013, [online], [site visited Feb. 1, 2017]. Available from internet, <URL: https://www.amazon.com/Mega-Bloks-Dylan-Dump-Truck/dp/B006LEZ9EQ/ref=sr_1_1?s=toys-and-games&ie=UTF8&qid=1486358821&sr=1-1&keywords=dylan+dump+truck>.

* cited by examiner

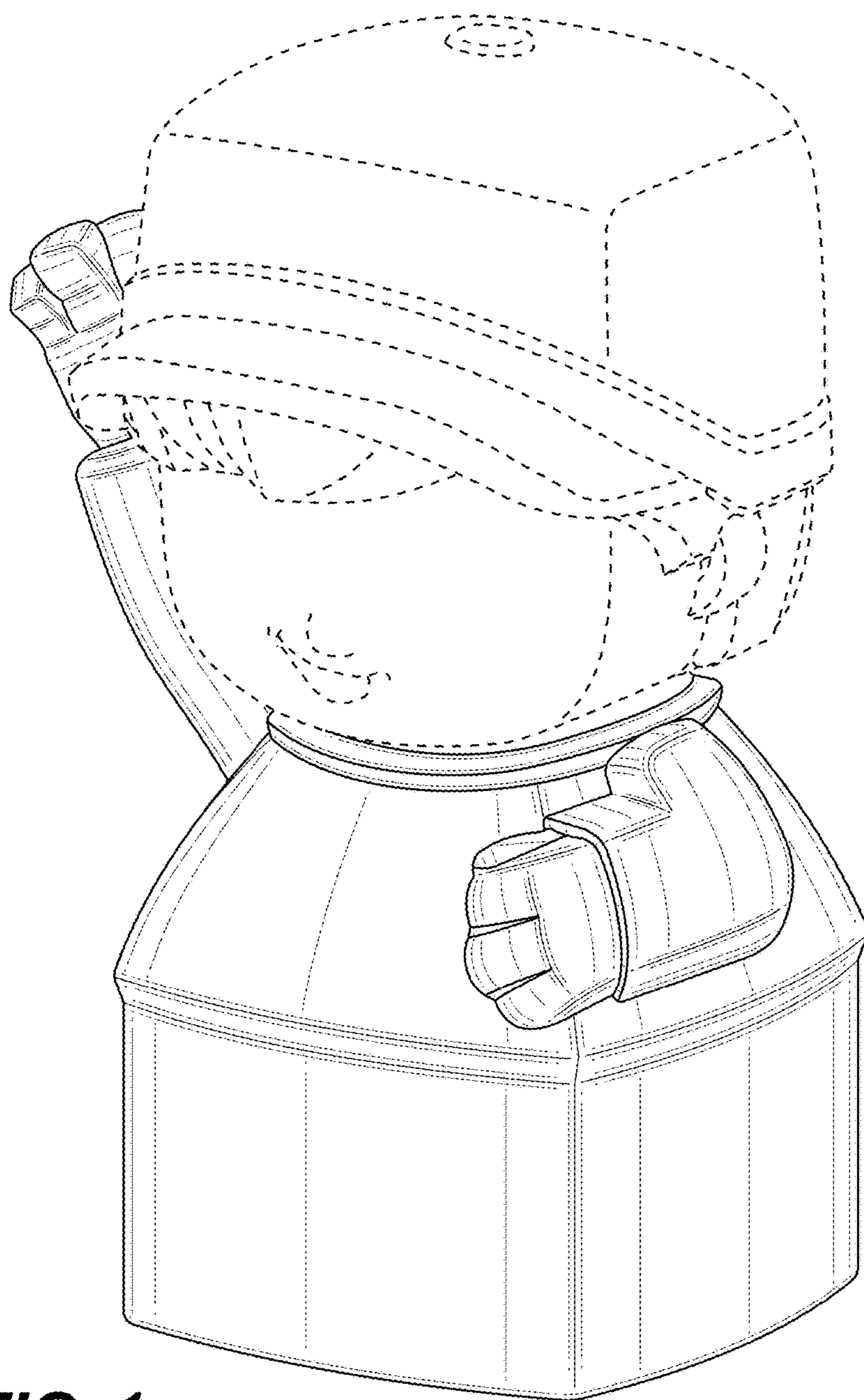


FIG. 1

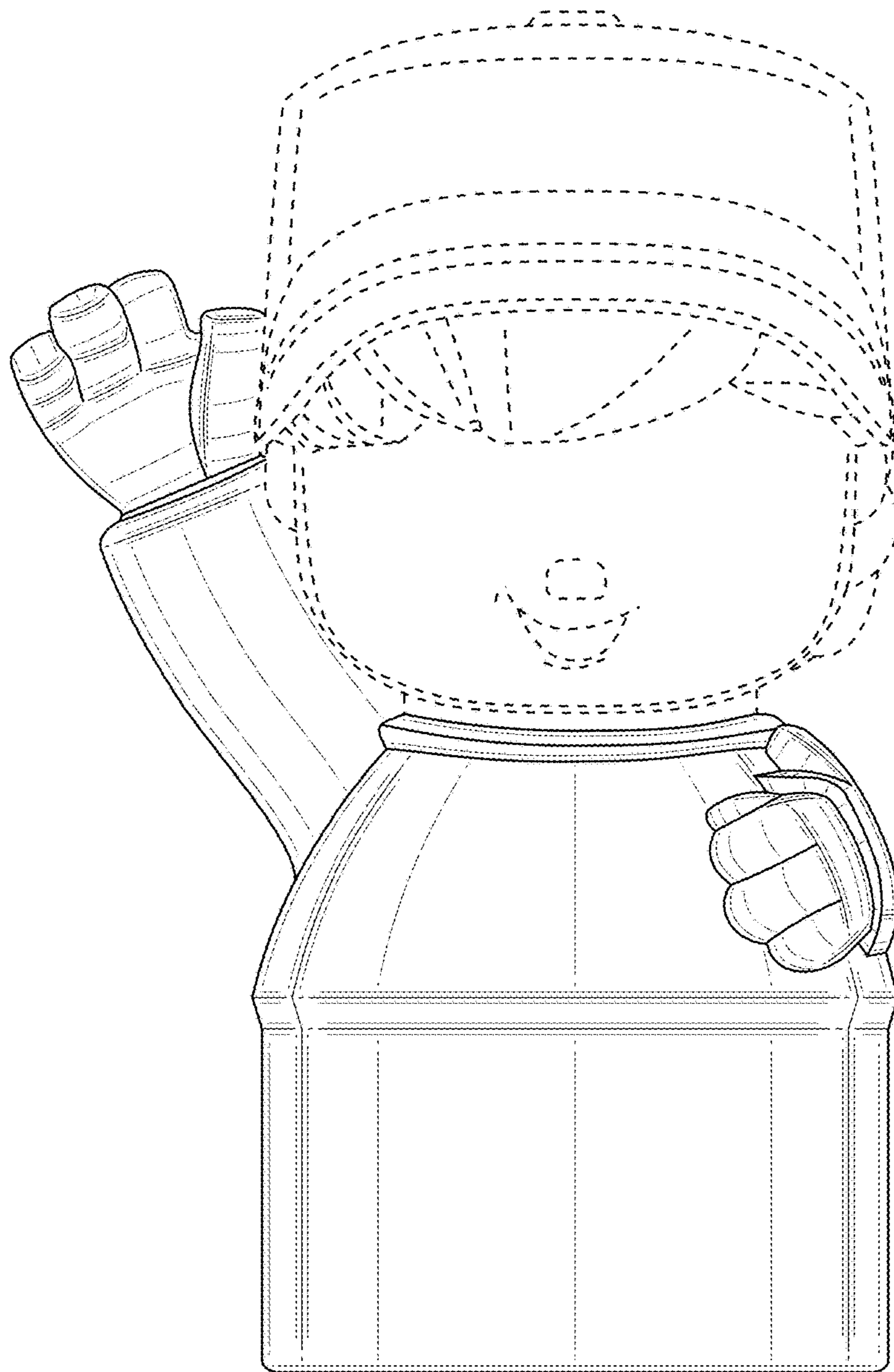


FIG. 2

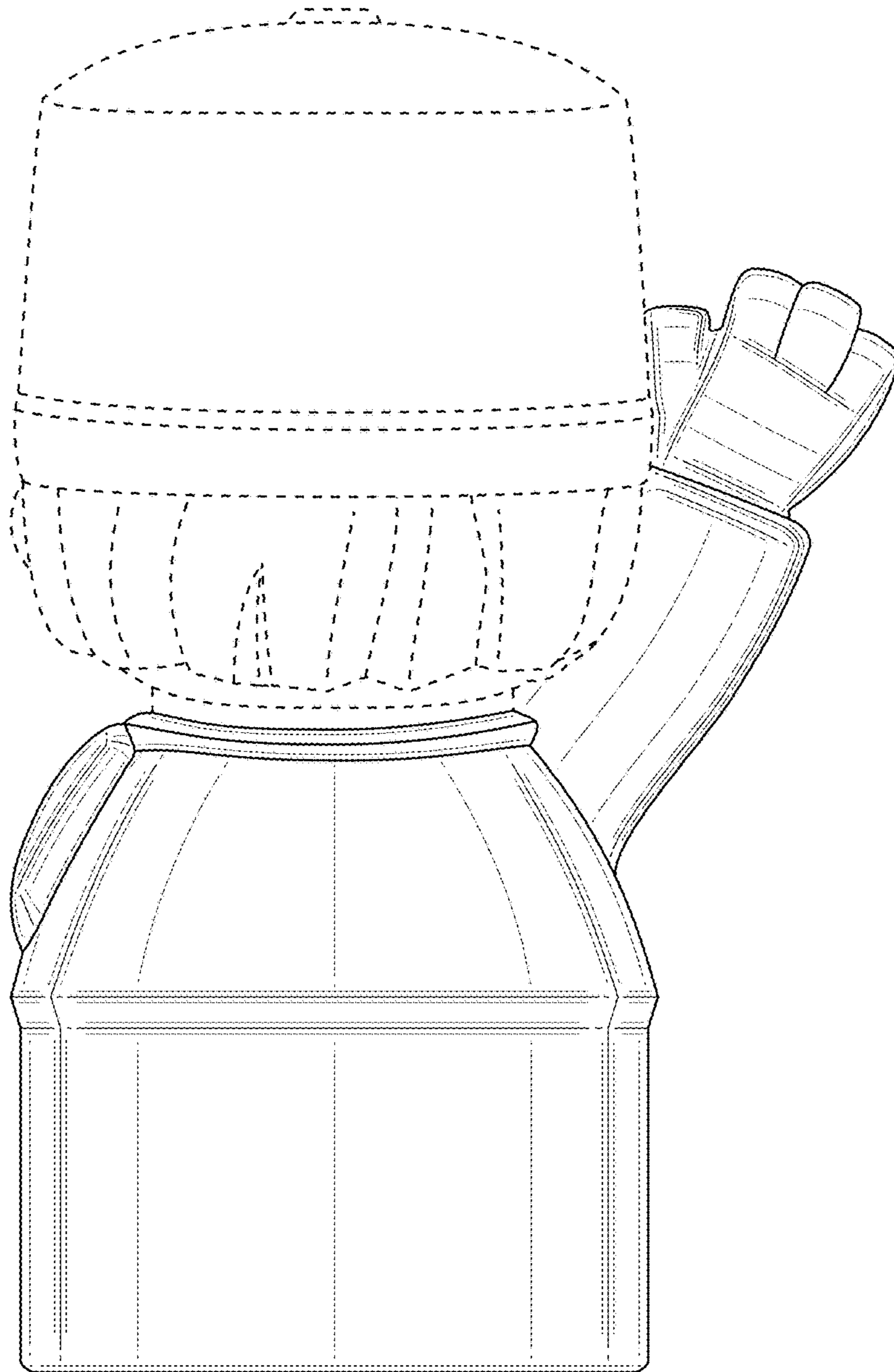


FIG. 3

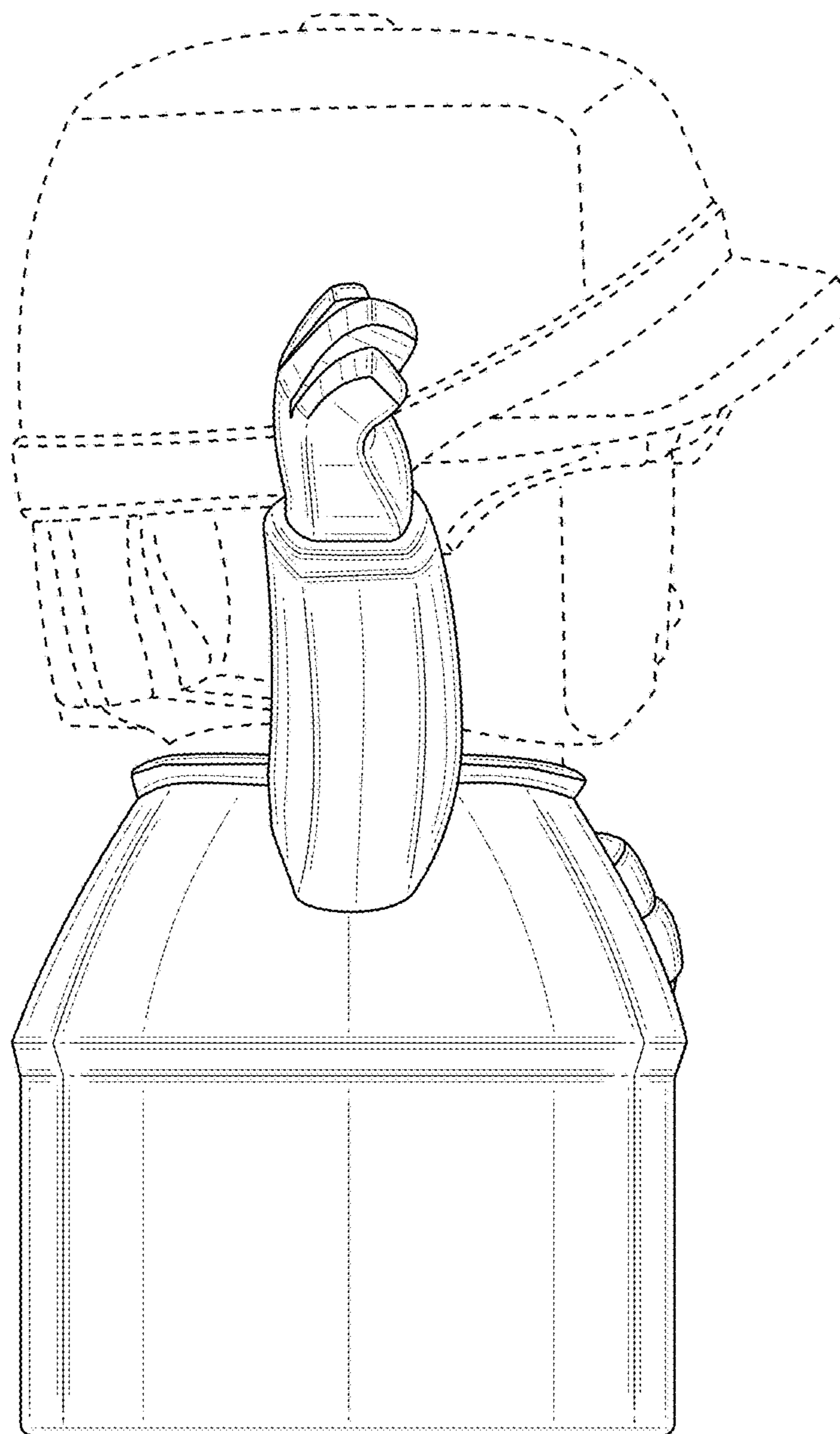


FIG. 4

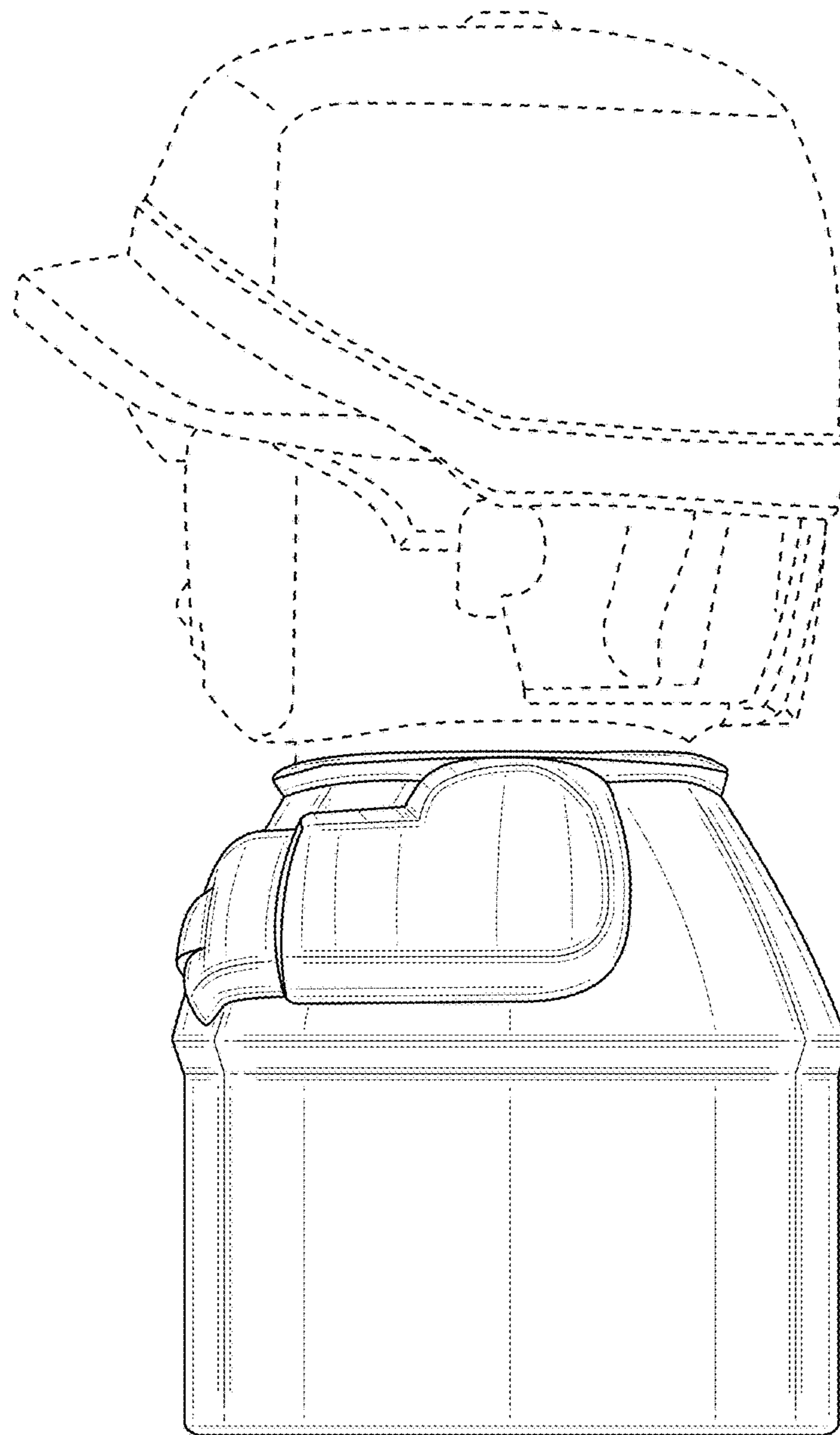


FIG. 5

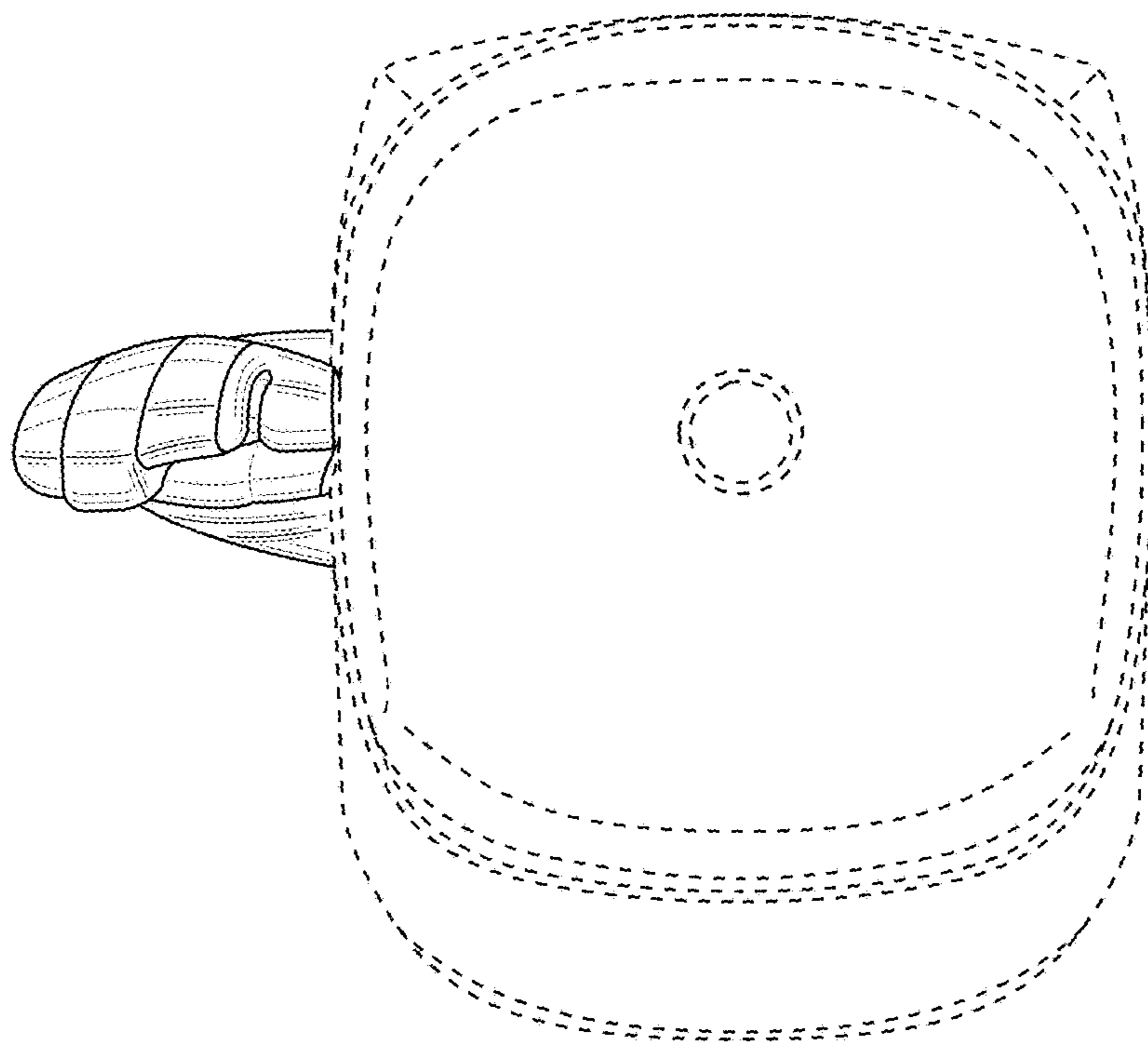


FIG. 6

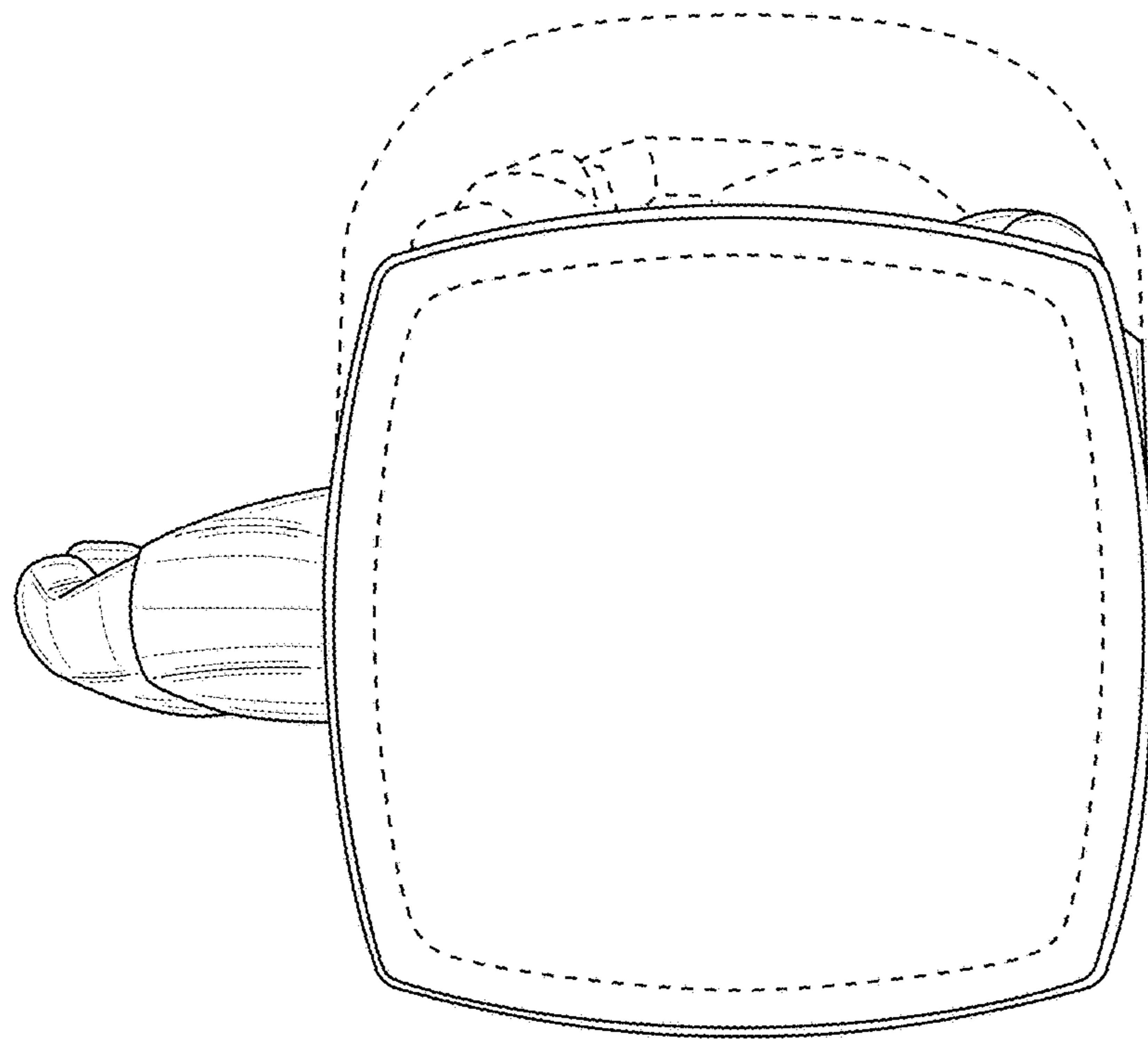


FIG. 7

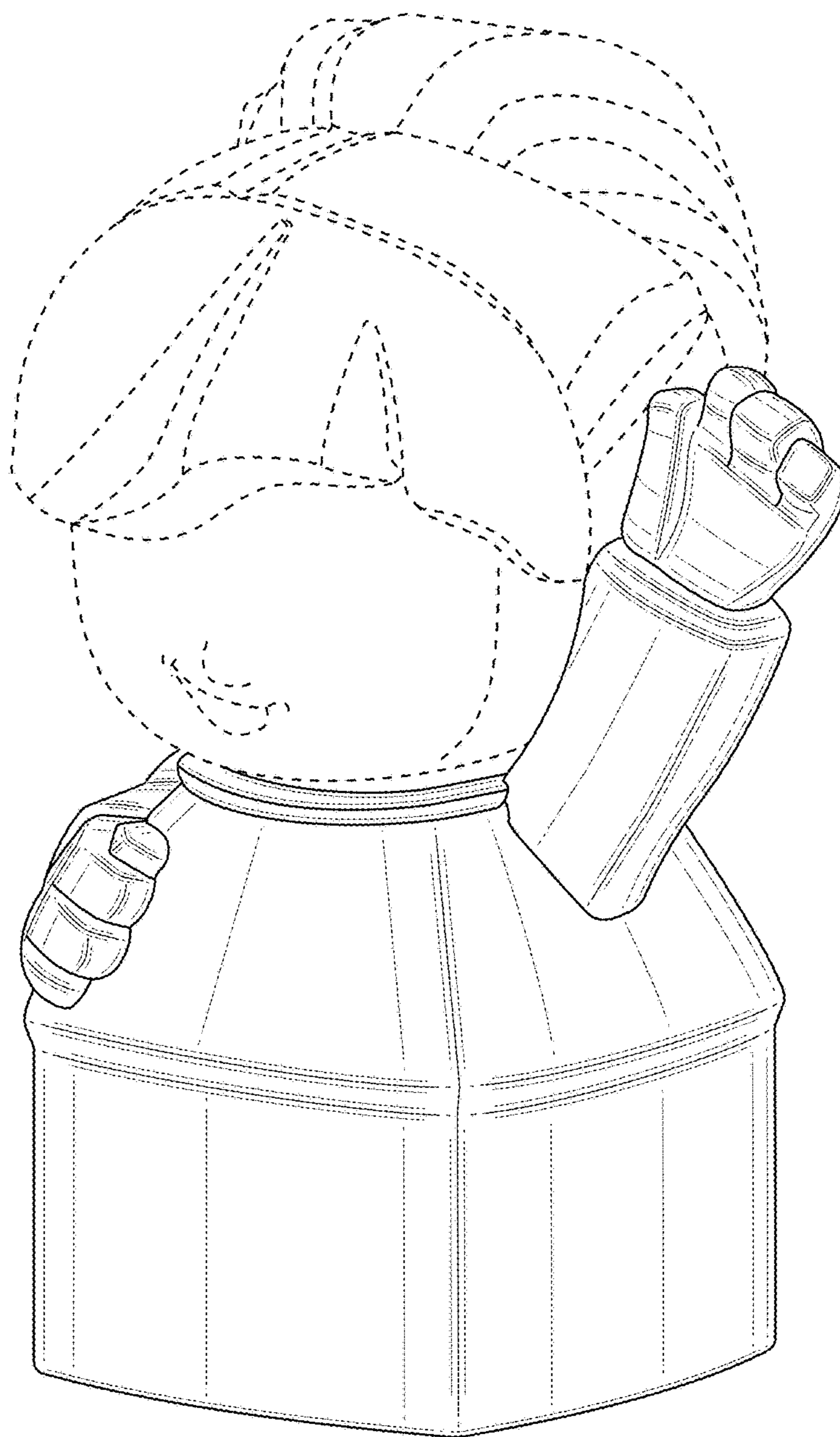


FIG. 8

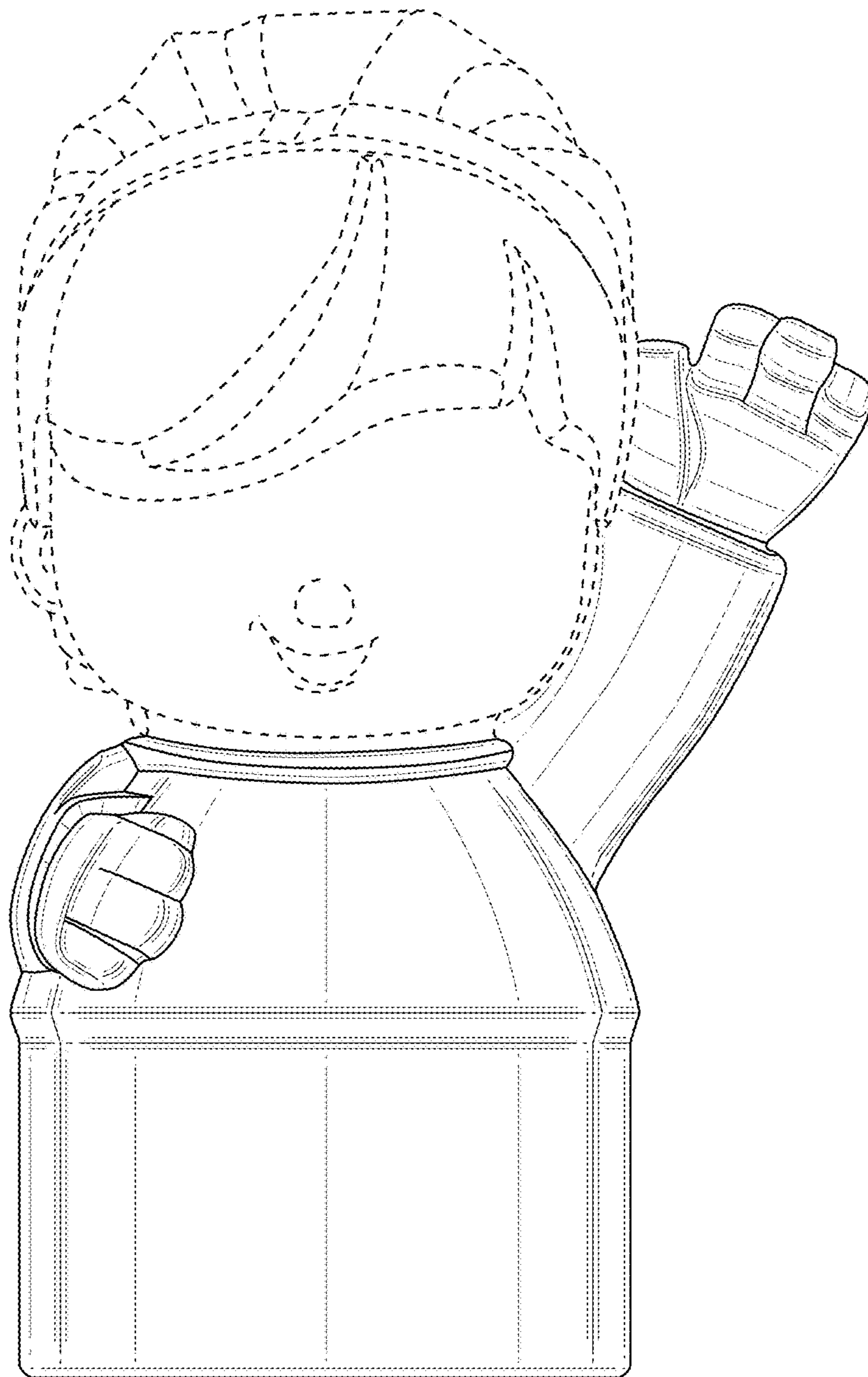


FIG. 9

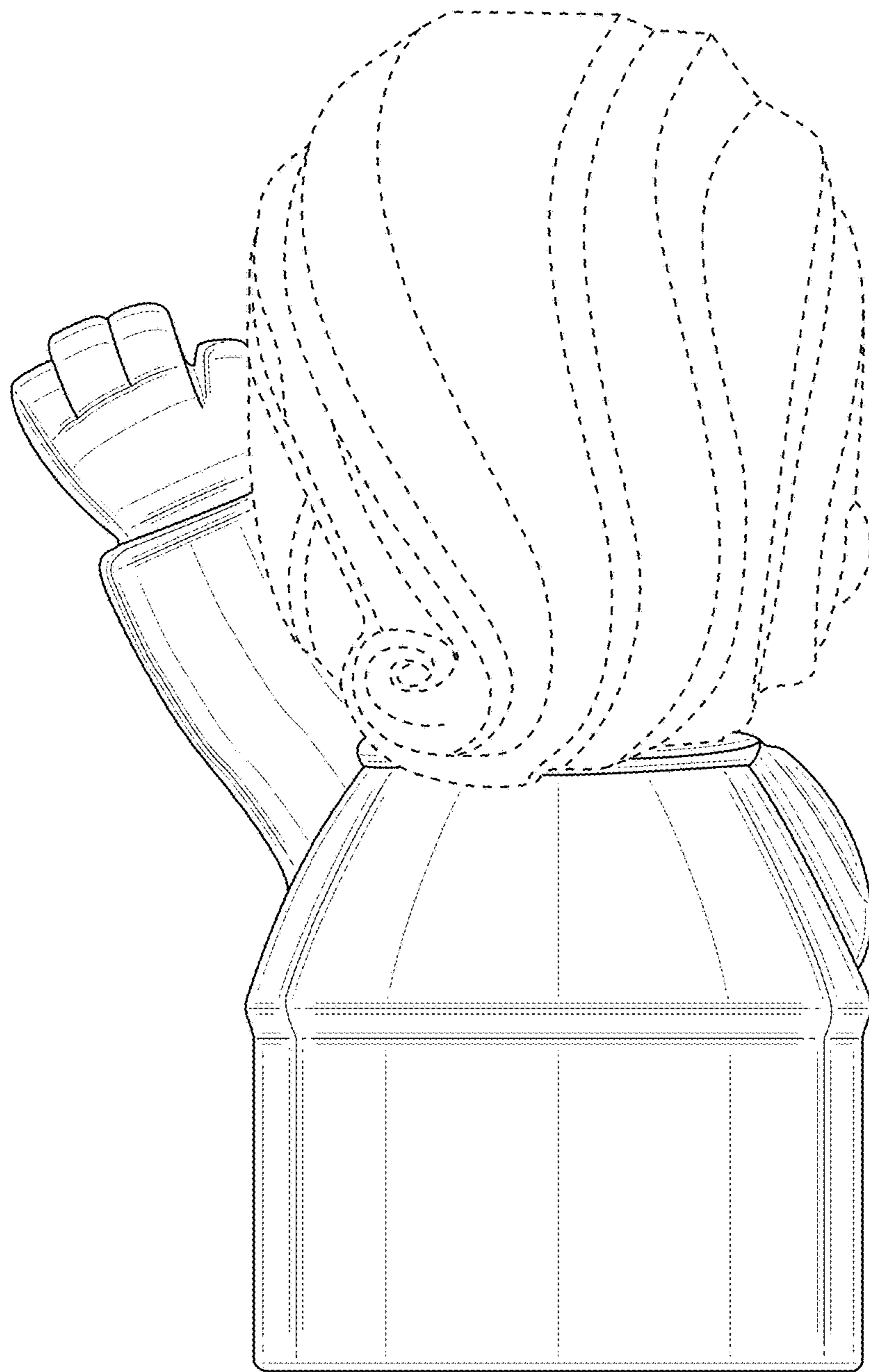


FIG. 10

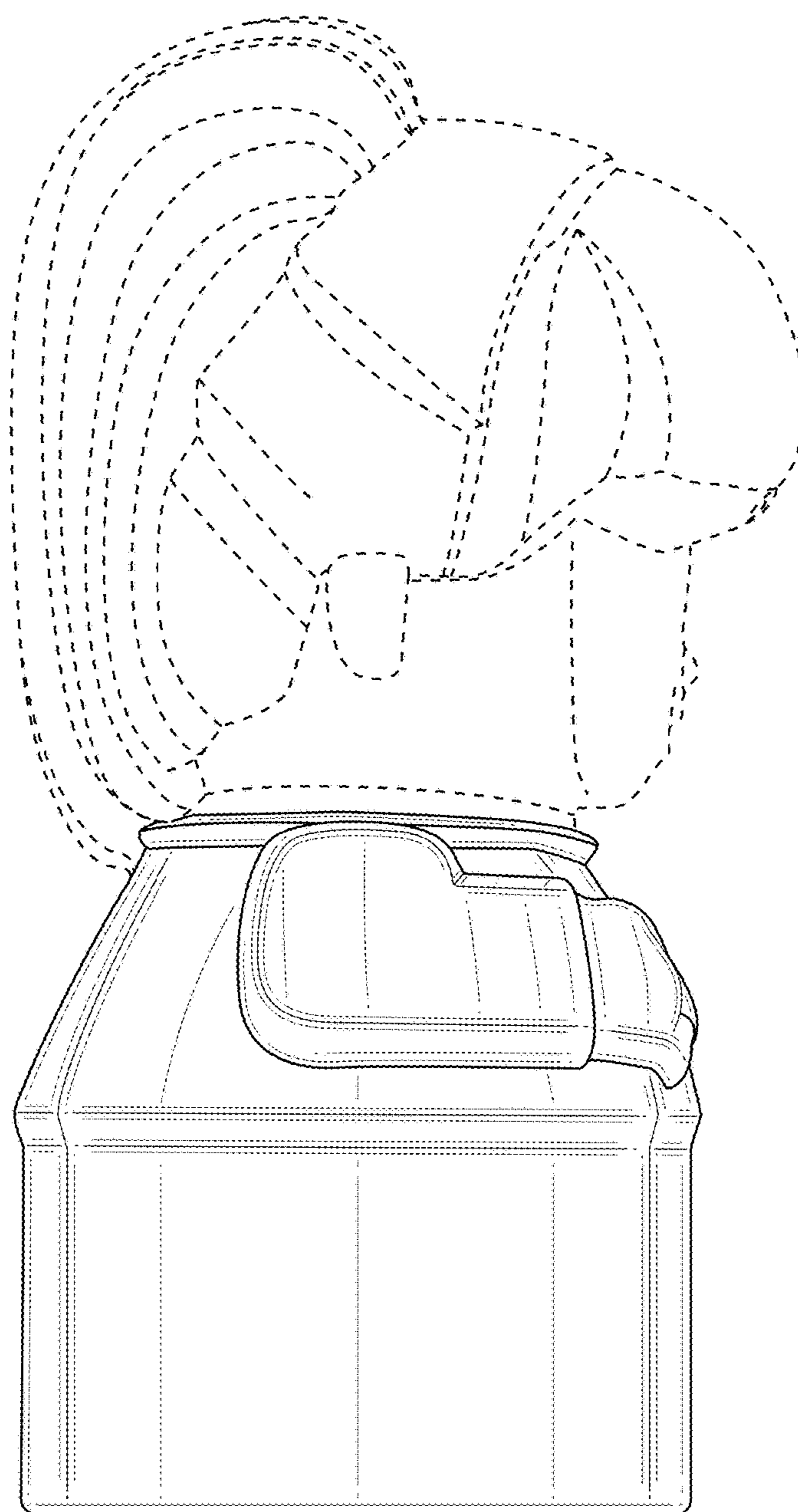


FIG. 11

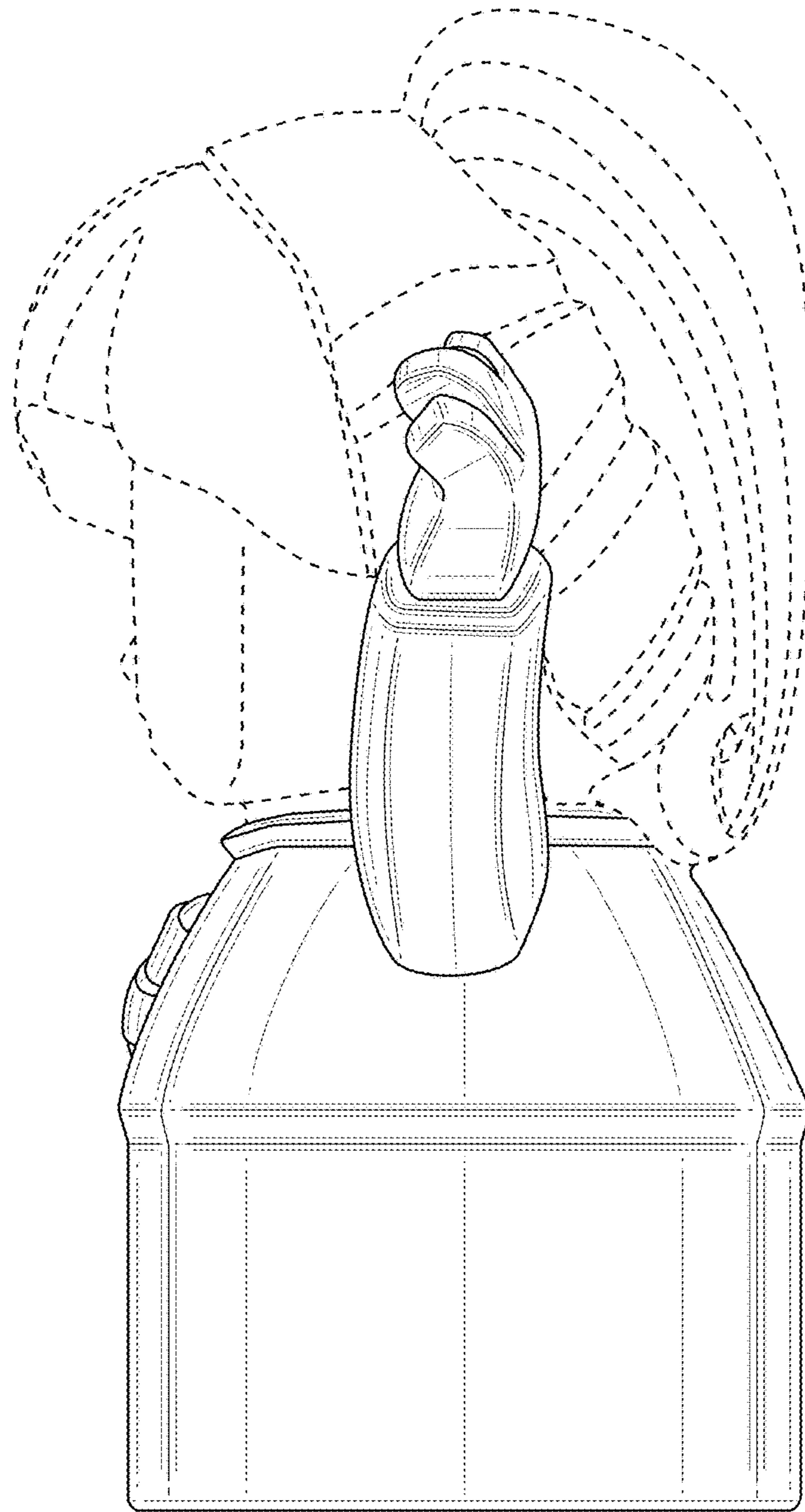


FIG. 12

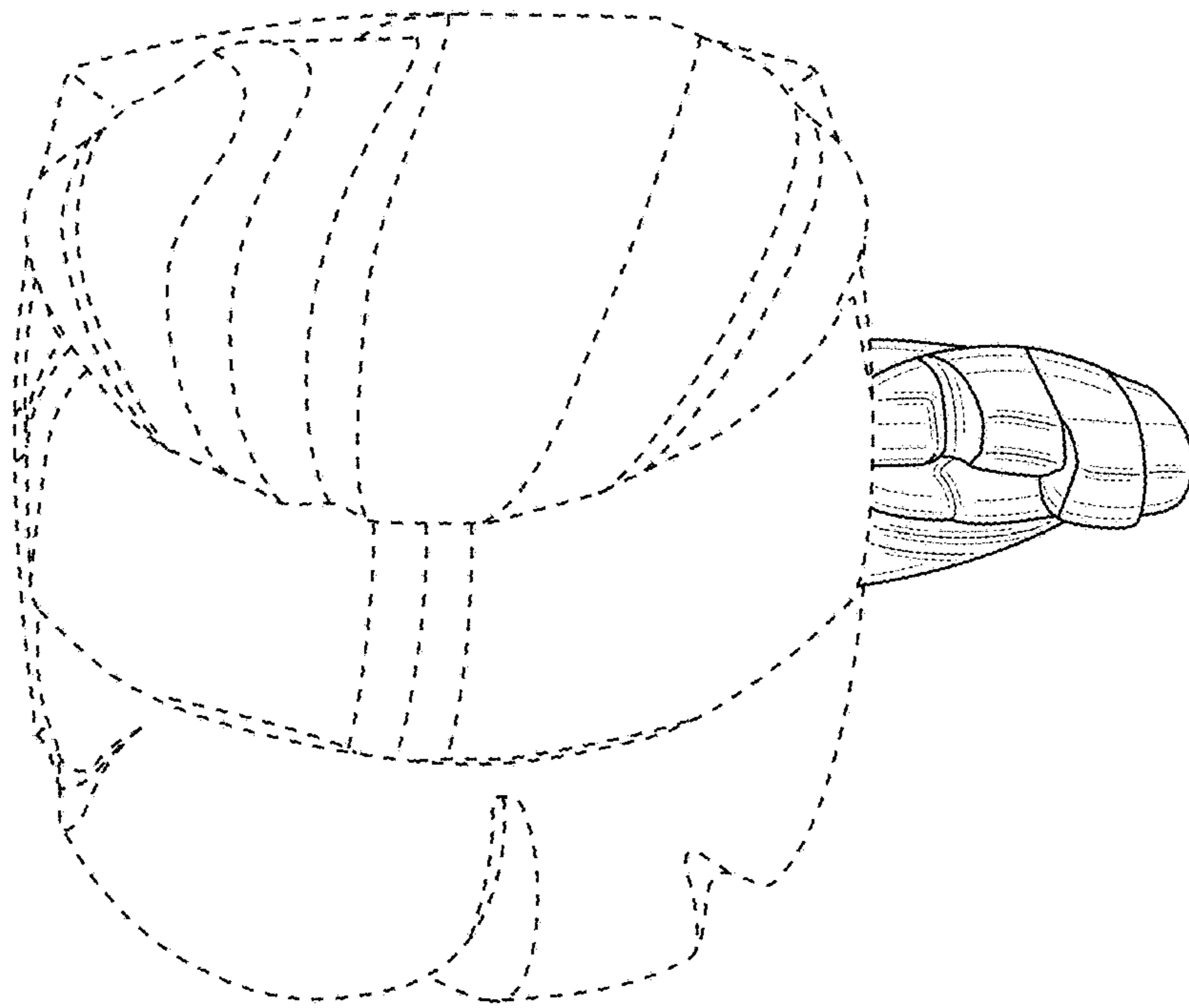


FIG. 13

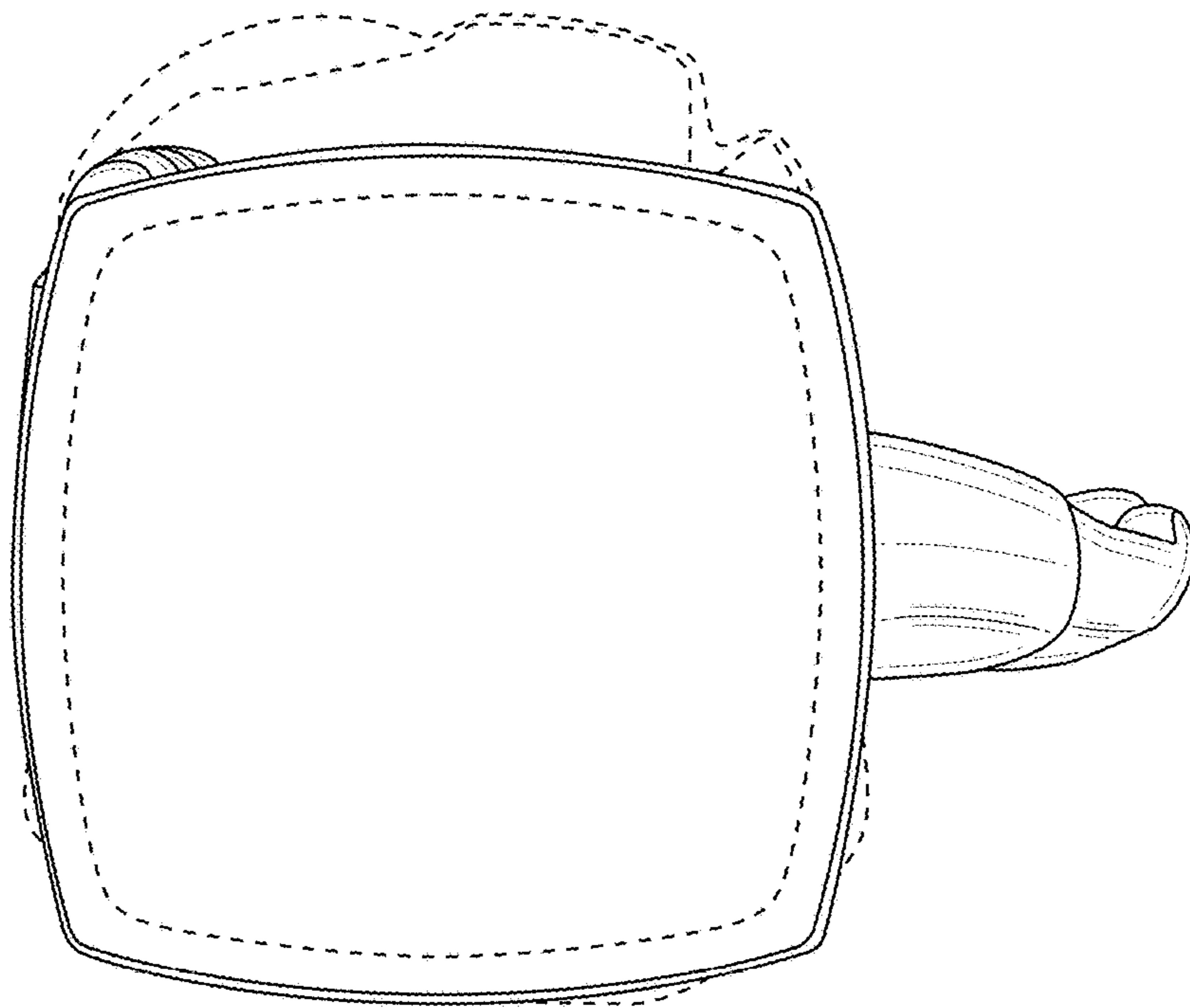


FIG. 14