



US00D846432S

(12) **United States Design Patent**  
**Olofsson et al.**

(10) **Patent No.:** **US D846,432 S**  
(45) **Date of Patent:** **\*\* Apr. 23, 2019**

(54) **FLOWER STAND**

(71) Applicant: **Vestre AS**, Oslo (NO)

(72) Inventors: **Michael Olofsson**, Oslo (NO); **Tore Borgersen**, Oslo (NO); **Espen Voll**, Oslo (NO)

(73) Assignee: **Vestre AS**, Oslo (NO)

(\*\*) Term: **15 Years**

(21) Appl. No.: **29/592,985**

(22) Filed: **Feb. 3, 2017**

(51) **LOC (11) Cl.** ..... **11-02**

(52) **U.S. Cl.**  
USPC ..... **D11/152; D11/143; D6/403**

(58) **Field of Classification Search**  
USPC ..... **D8/1; D7/509, 523, 547; D11/143, 145, 146, 148, 152, 153, 154, 155, 156; D6/403, 677, 708.2; D17/22**

(Continued)

(56) **References Cited**

**U.S. PATENT DOCUMENTS**

3,055,253 A \* 9/1962 Loughborough ..... G10D 13/02  
84/411 R

D405,386 S \* 2/1999 Ross ..... D11/152  
(Continued)

**OTHER PUBLICATIONS**

Vestre website, April\_Go planter, Publication date unknown, [site visited Oct. 20, 2018], Available on the Internet URL [https://vestre.com/products/planters/april\\_go-planter/](https://vestre.com/products/planters/april_go-planter/).\*

(Continued)

*Primary Examiner* — Karen S Acker

*Assistant Examiner* — Steven B Reinholdt, Jr.

(74) *Attorney, Agent, or Firm* — Kolisch Hartwell, P.C.

(57) **CLAIM**

The ornamental design for a flower stand, as shown and described.

**DESCRIPTION**

FIG. 1 is a perspective view of a flower stand showing my new design;

FIG. 2 is an upper perspective view thereof;

FIG. 3 is a lower perspective view thereof;

FIG. 4 is a front elevation view thereof, the rear elevation being a mirror image thereto;

FIG. 5 is a left side elevation view thereof, the right side elevation being a mirror image thereto;

FIG. 6 is a top plan view thereof;

FIG. 7 is a bottom plan view thereof;

FIG. 8 is a perspective view of a second embodiment of a flower stand showing my new design;

FIG. 9 is an upper perspective view thereof;

FIG. 10 is a lower perspective view thereof;

FIG. 11 is a front elevation view thereof, the rear elevation being a mirror image thereto;

FIG. 12 is a left side elevation view thereof, the right side elevation being a mirror image thereto;

FIG. 13 is a top plan view thereof;

FIG. 14 is a bottom plan view thereof;

FIG. 15 is a perspective view of a third embodiment of a flower stand showing my new design;

FIG. 16 is an upper perspective view thereof;

FIG. 17 is a lower perspective view thereof;

FIG. 18 is a front elevation view thereof, the rear elevation being a mirror image thereto;

FIG. 19 is a left side elevation view thereof, the right side elevation being a mirror image thereto;

FIG. 20 is a top plan view thereof;

FIG. 21 is a bottom plan view thereof;

FIG. 22 is a perspective view of a fourth embodiment of a flower stand showing my new design;

FIG. 23 is an upper perspective view thereof;

FIG. 24 is a lower perspective view thereof;

FIG. 25 is a front elevation view thereof, the rear elevation being a mirror image thereto;

FIG. 26 is a left side elevation view thereof, the right side elevation being a mirror image thereto;

(Continued)

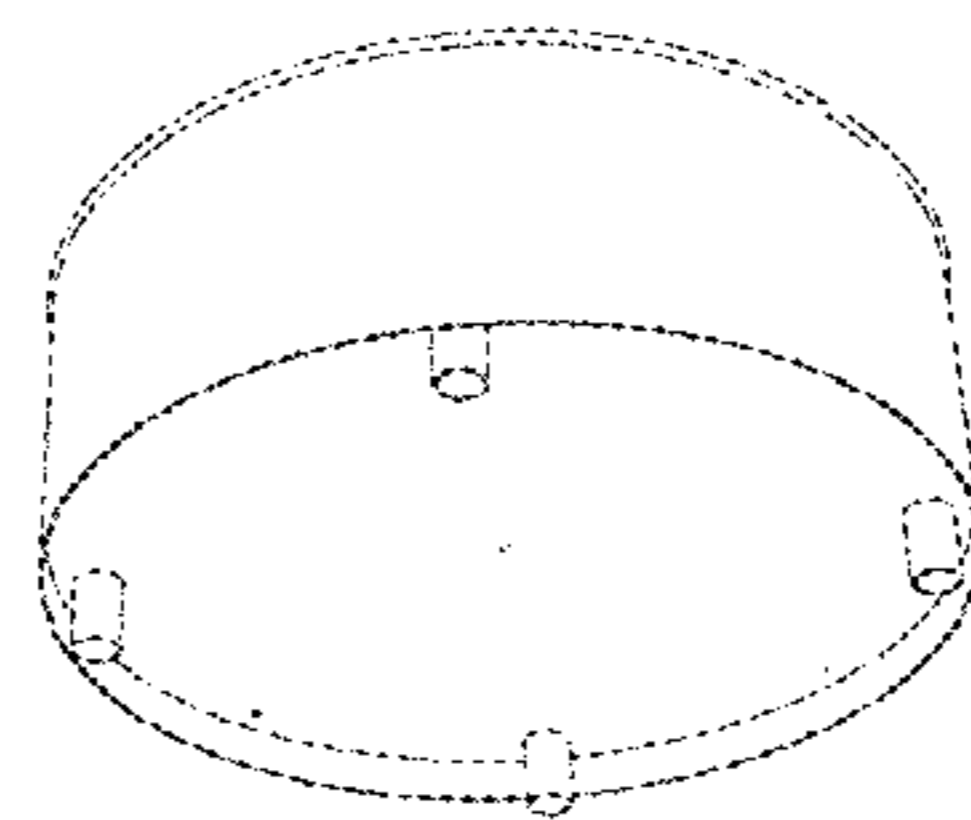
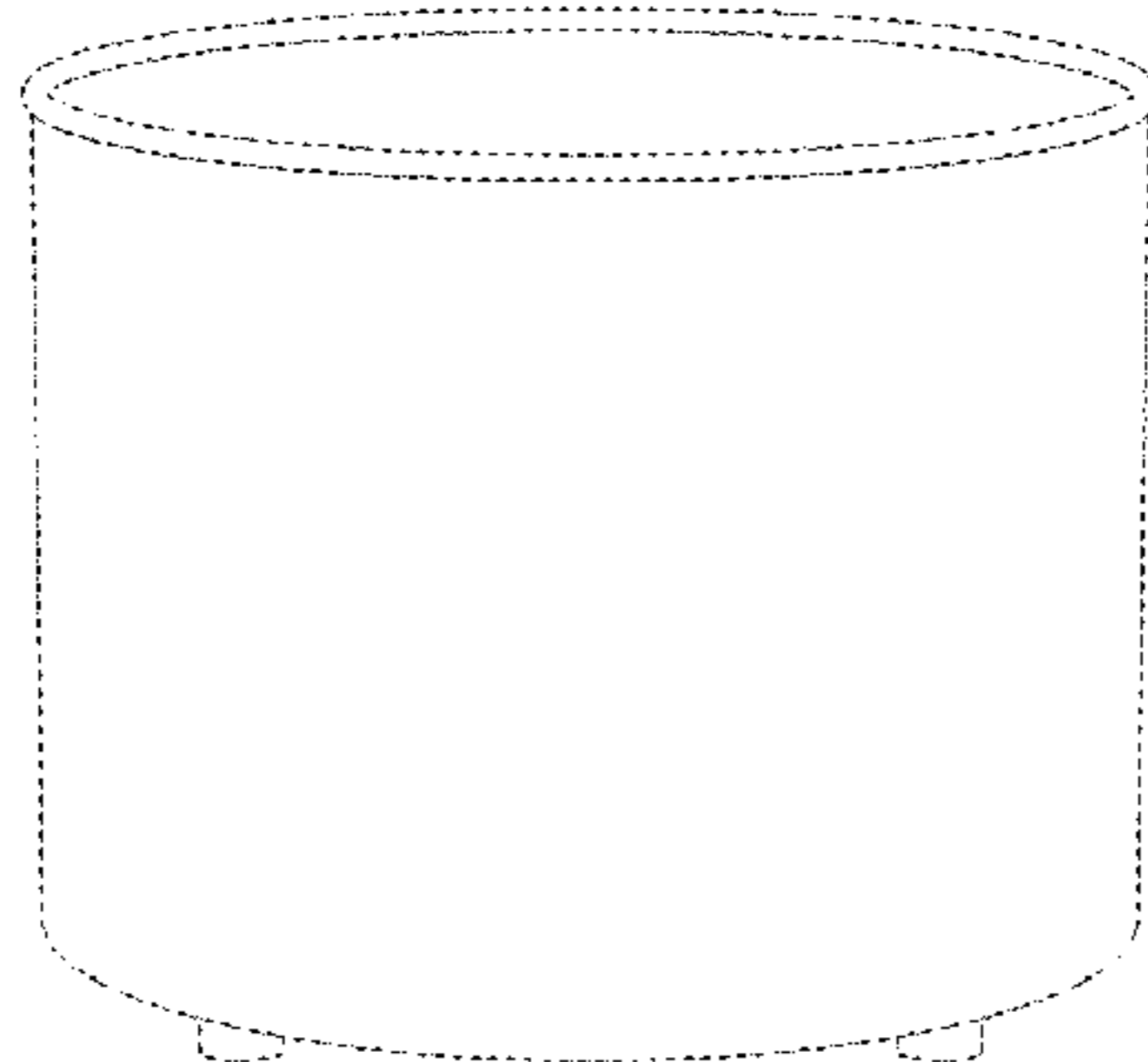


FIG. 27 is a top plan view thereof; and,  
 FIG. 28 is a bottom plan view thereof.  
 The dashed broken lines in the drawings depict portions of the flower stand that form no part of the claimed design. The rear of the flower stand is a mirror image of the front, so the rear view has been omitted. The right side of the flower stand is a mirror image of the left side, so the right side view has been omitted.

**1 Claim, 16 Drawing Sheets**

(58) **Field of Classification Search**

CPC .. A47G 7/07; A01G 5/04; F21V 35/00; F21V 1/06

See application file for complete search history.

(56) **References Cited**

U.S. PATENT DOCUMENTS

D406,470 S \* 3/1999 Lin ..... D6/349  
 D446,043 S \* 8/2001 Stoppenhagen ..... D6/677  
 D460,717 S \* 7/2002 Fan ..... D11/152

D468,662 S \* 1/2003 Fan ..... D11/152  
 D504,581 S \* 5/2005 Kim ..... D6/677  
 8,167,777 B2 \* 5/2012 Nichols ..... A63B 22/16  
 482/23  
 D814,345 S \* 4/2018 Siegel ..... D11/152

OTHER PUBLICATIONS

Archi Products website, Roberti Rattan Ket West Round Planter, Publication date unknown, [site visited Oct. 20, 2018], Available on the Internet URL [https://www.archiproducts.com/en/products/roberti-rattan/round-aluminium-planter-key-west-round-planter\\_289090](https://www.archiproducts.com/en/products/roberti-rattan/round-aluminium-planter-key-west-round-planter_289090).  
 Garden Requisites website, X-Large Planter 30", Publication date unknown, [site visited Oct. 20, 2018], Available on the Internet URL <https://www.garden-requisites.co.uk/products/planters/x-large-planter-30/>.  
 Planters Perfect, Round Series, Publication date unknown, [site visited Oct. 20, 2018], Available on the Internet URL <http://www.plantersperfect.com/products/round-series/round-series/>.  
 Wayfair website, Fasching 2-Piece Pot Planter Set, Publication date unknown, [site visited Oct. 20, 2018], Available on the Internet <https://www.wayfair.com/outdoor/pdp/bungalow-rose-fasching-2-piece-pot-planter-set-jnzf1354.html>.

\* cited by examiner

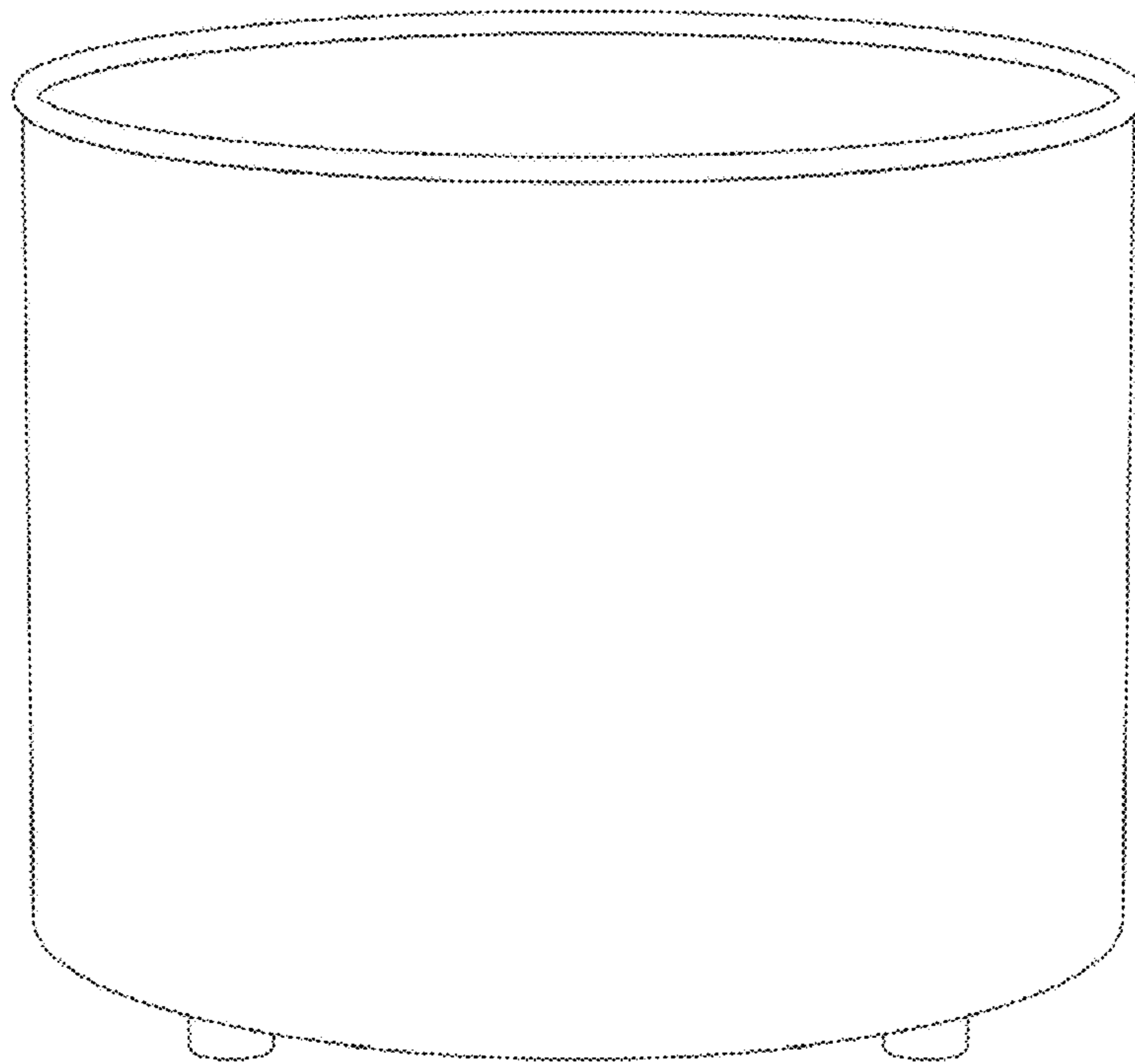


Fig. 1

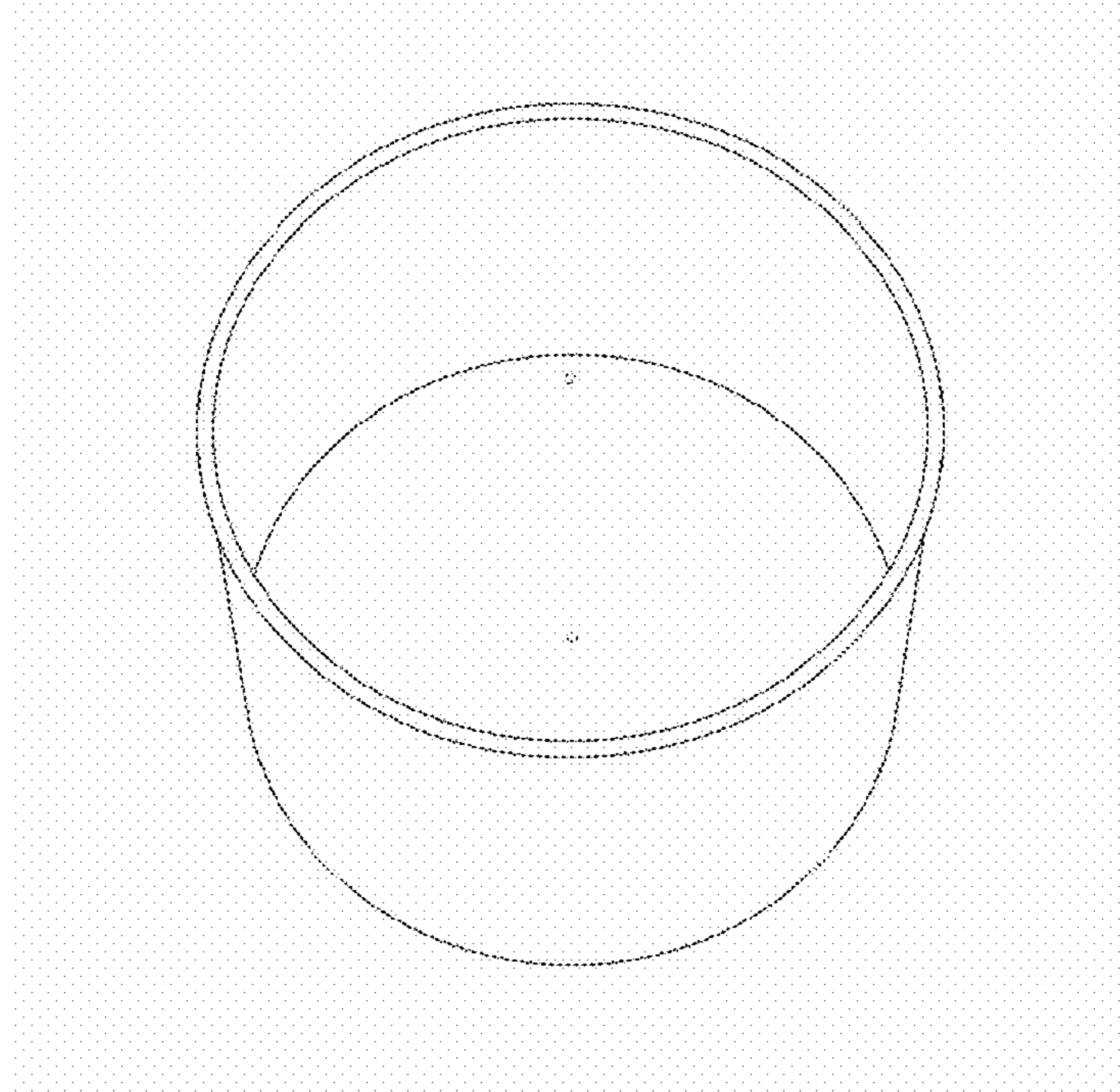


Fig. 2

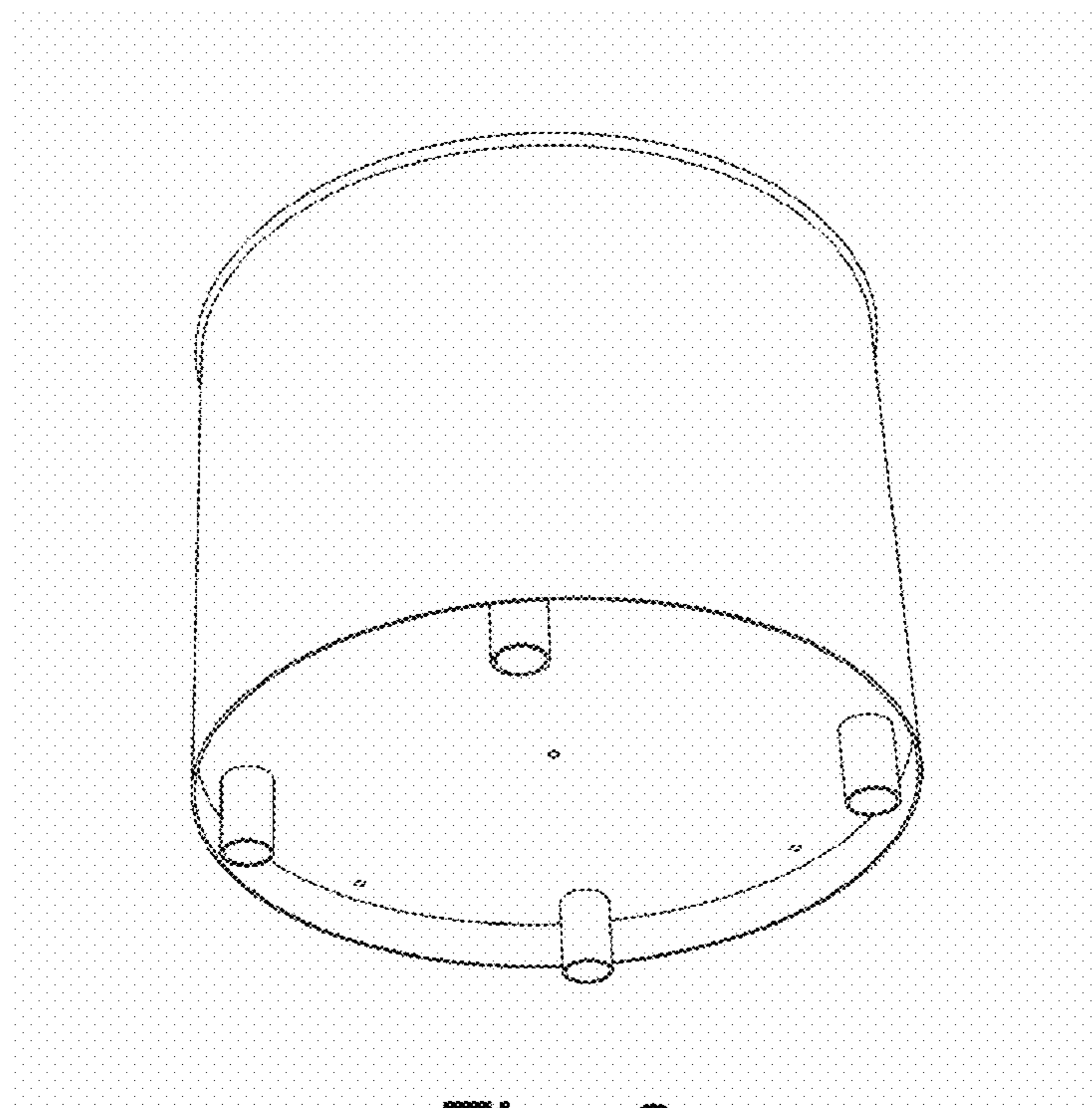


Fig. 3



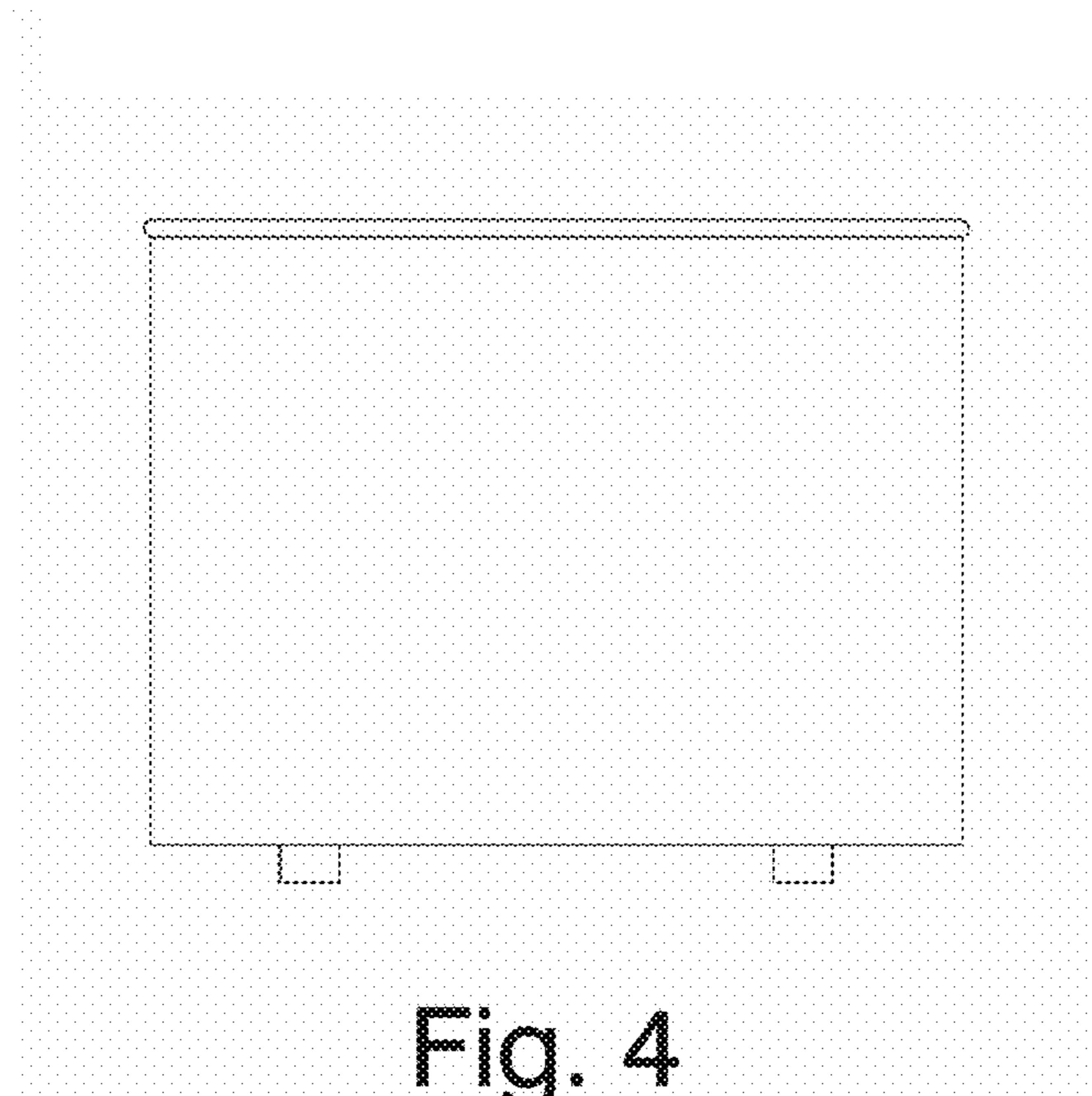


Fig. 4

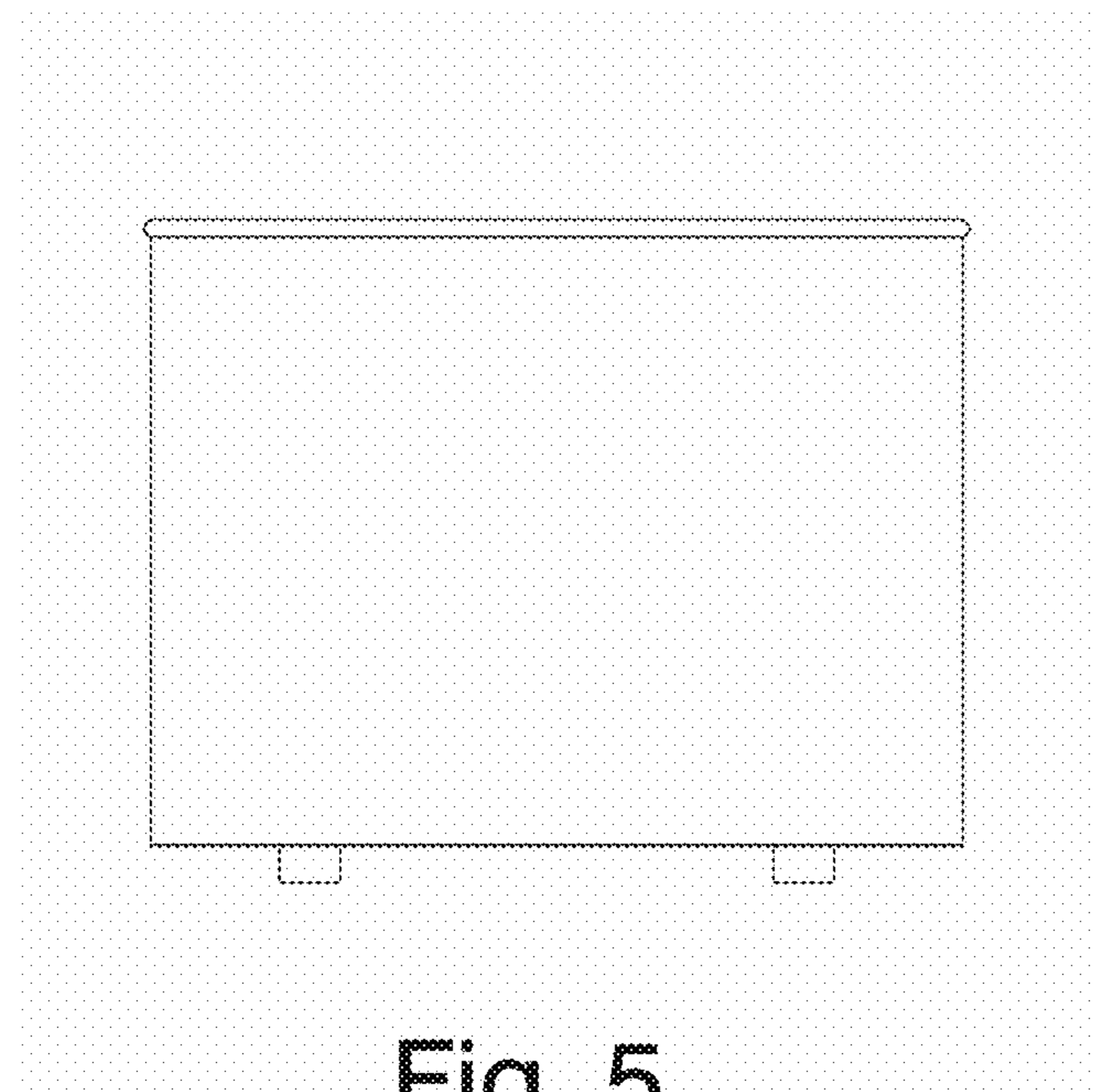


Fig. 5

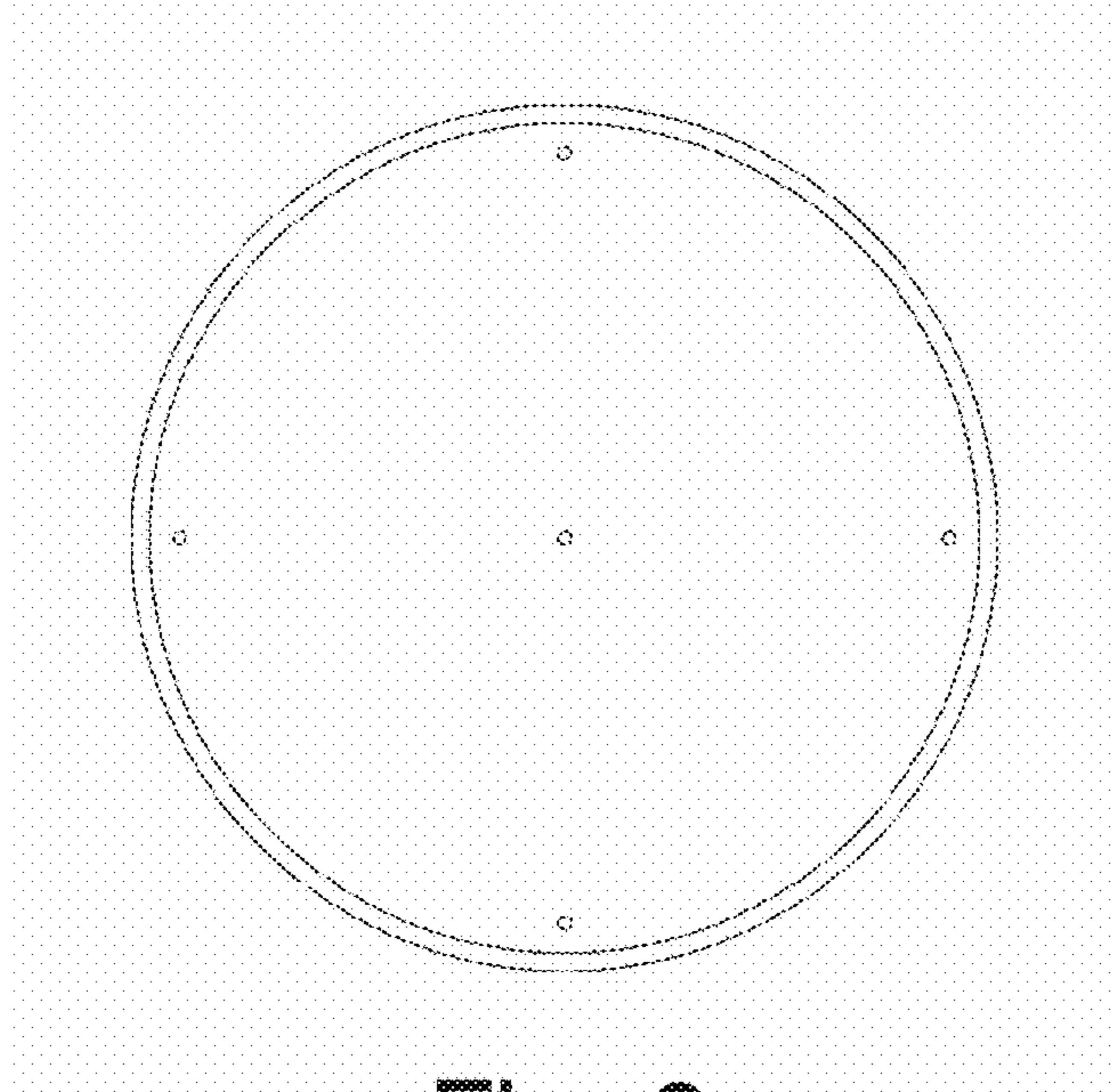


Fig. 6

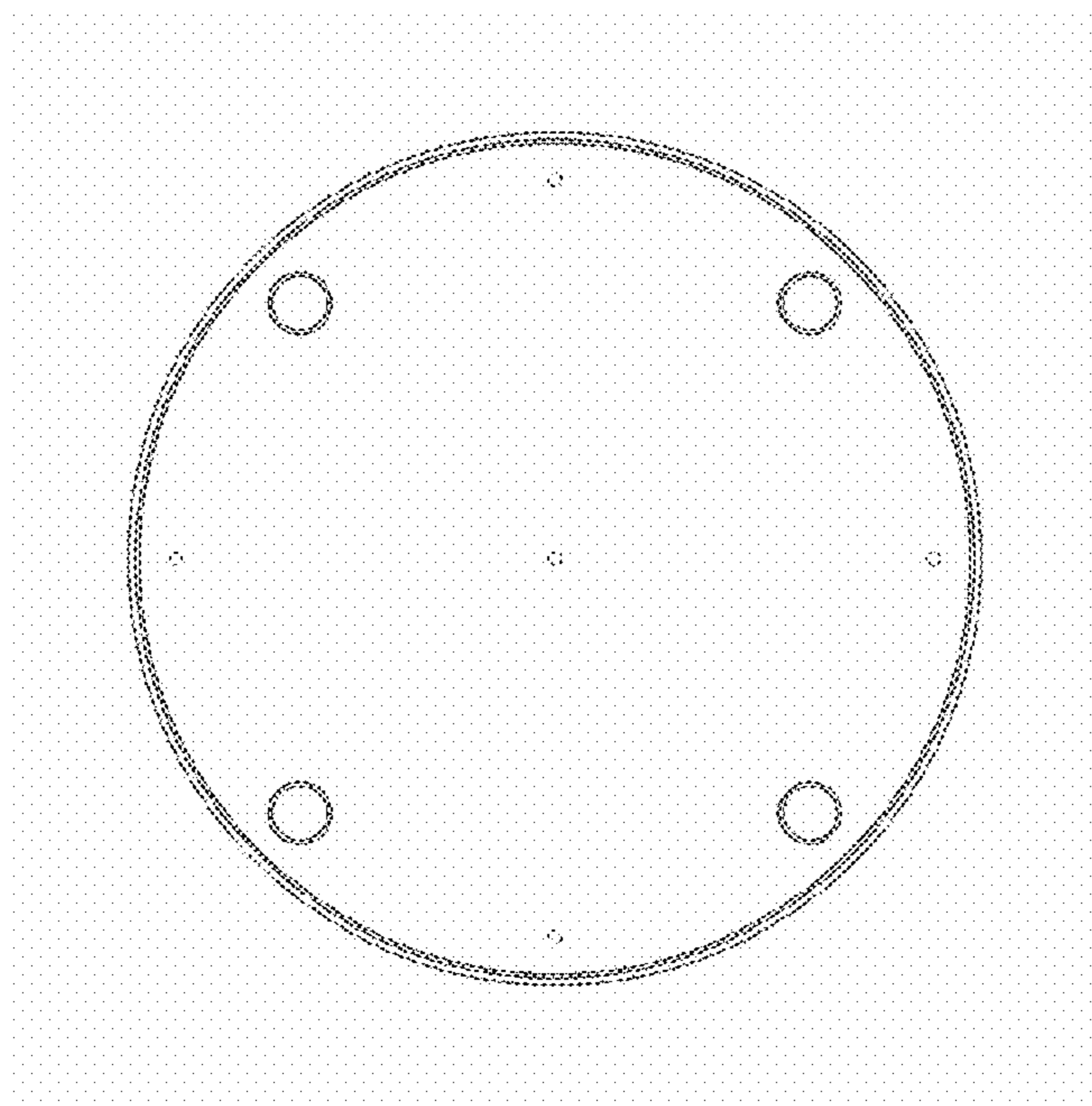


Fig. 7

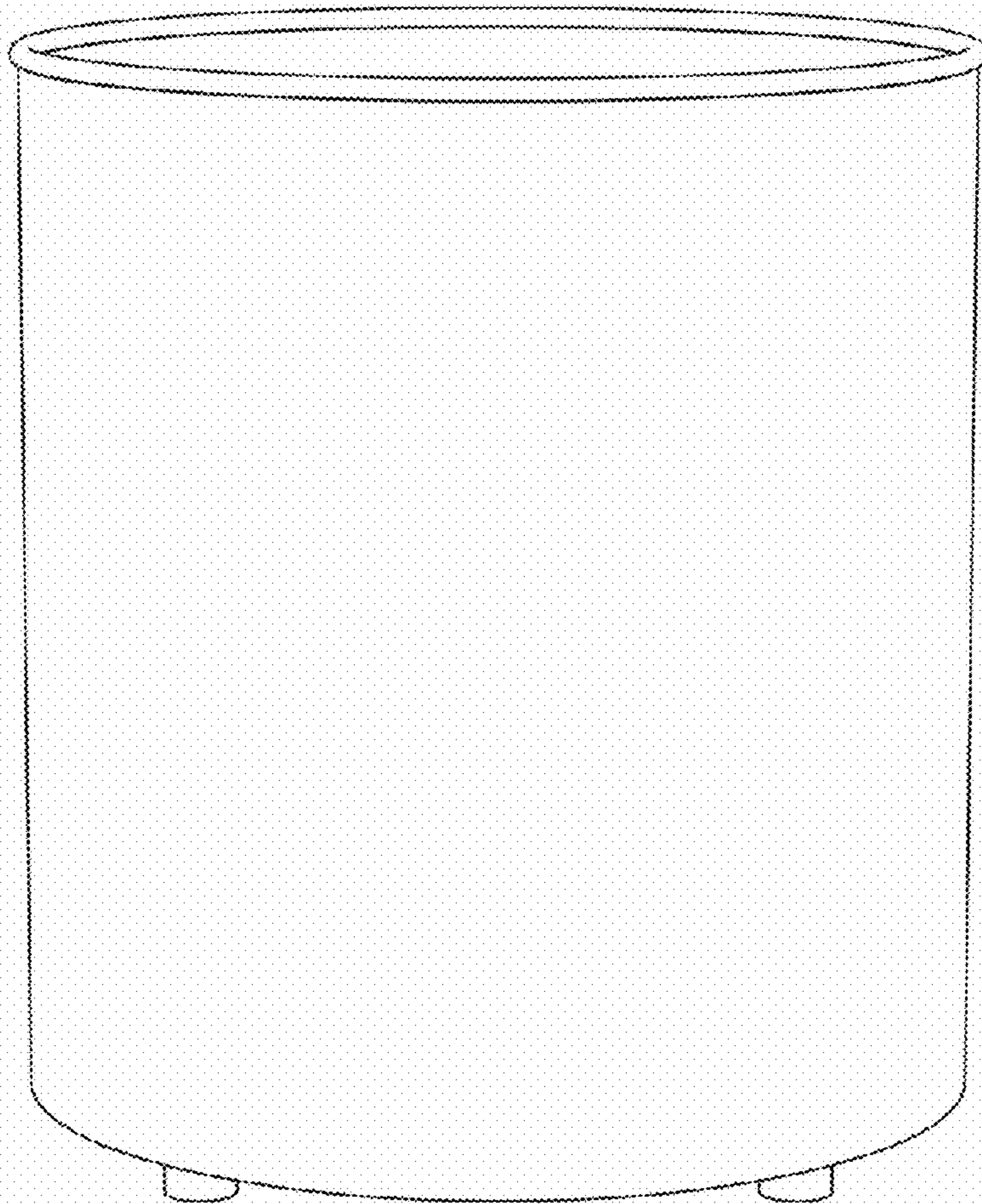


Fig. 8

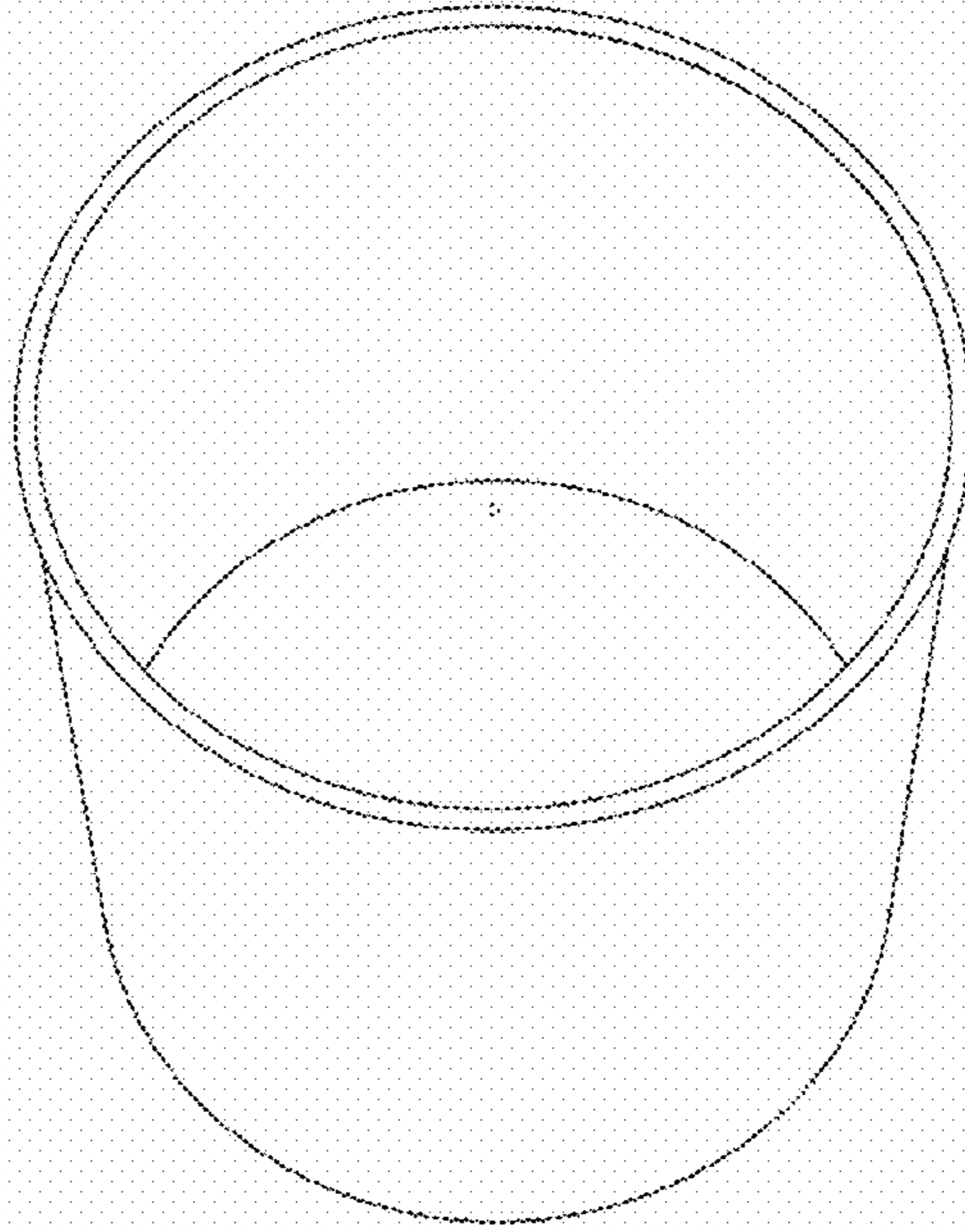


Fig. 9

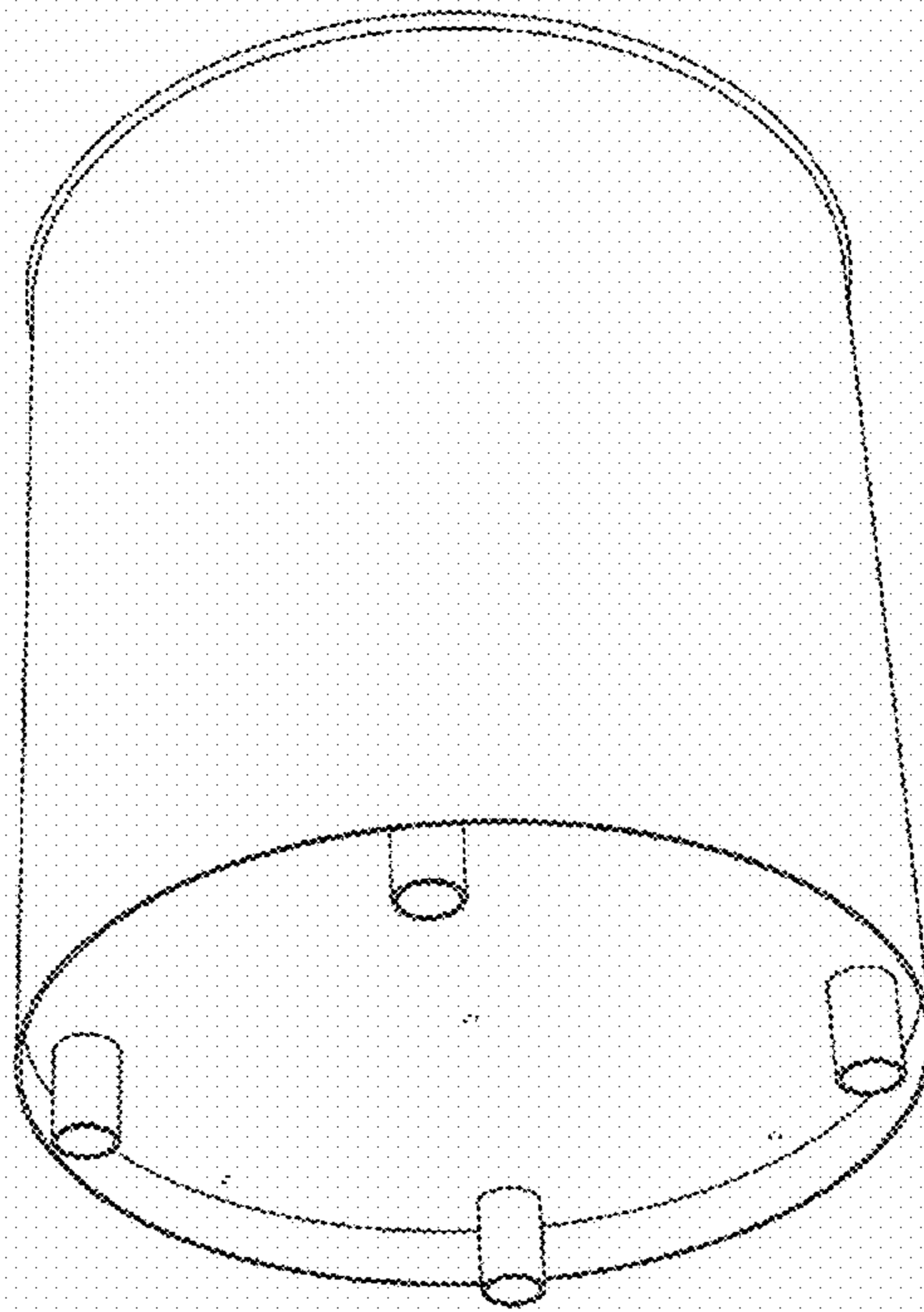


Fig. 10



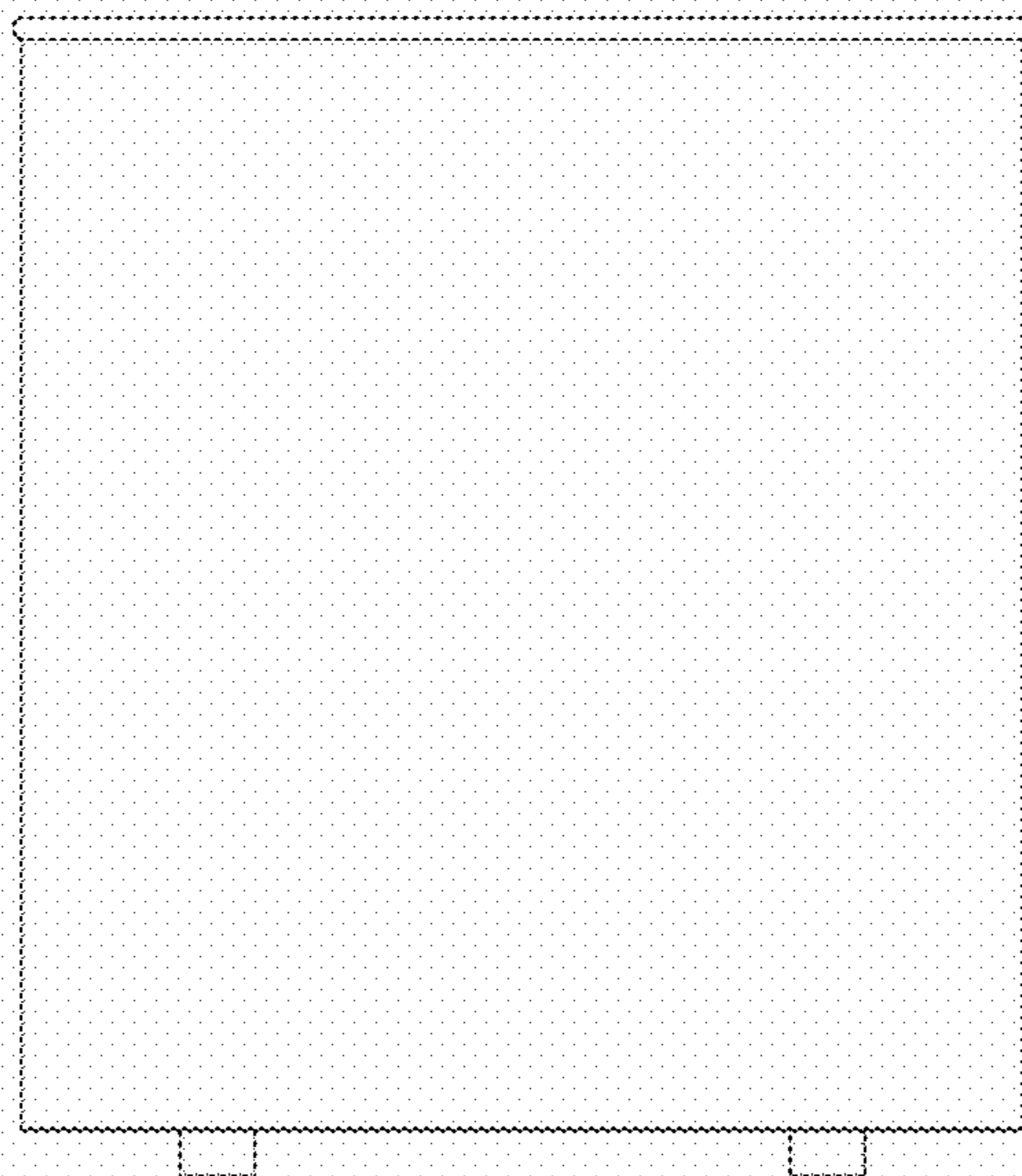


Fig. 11

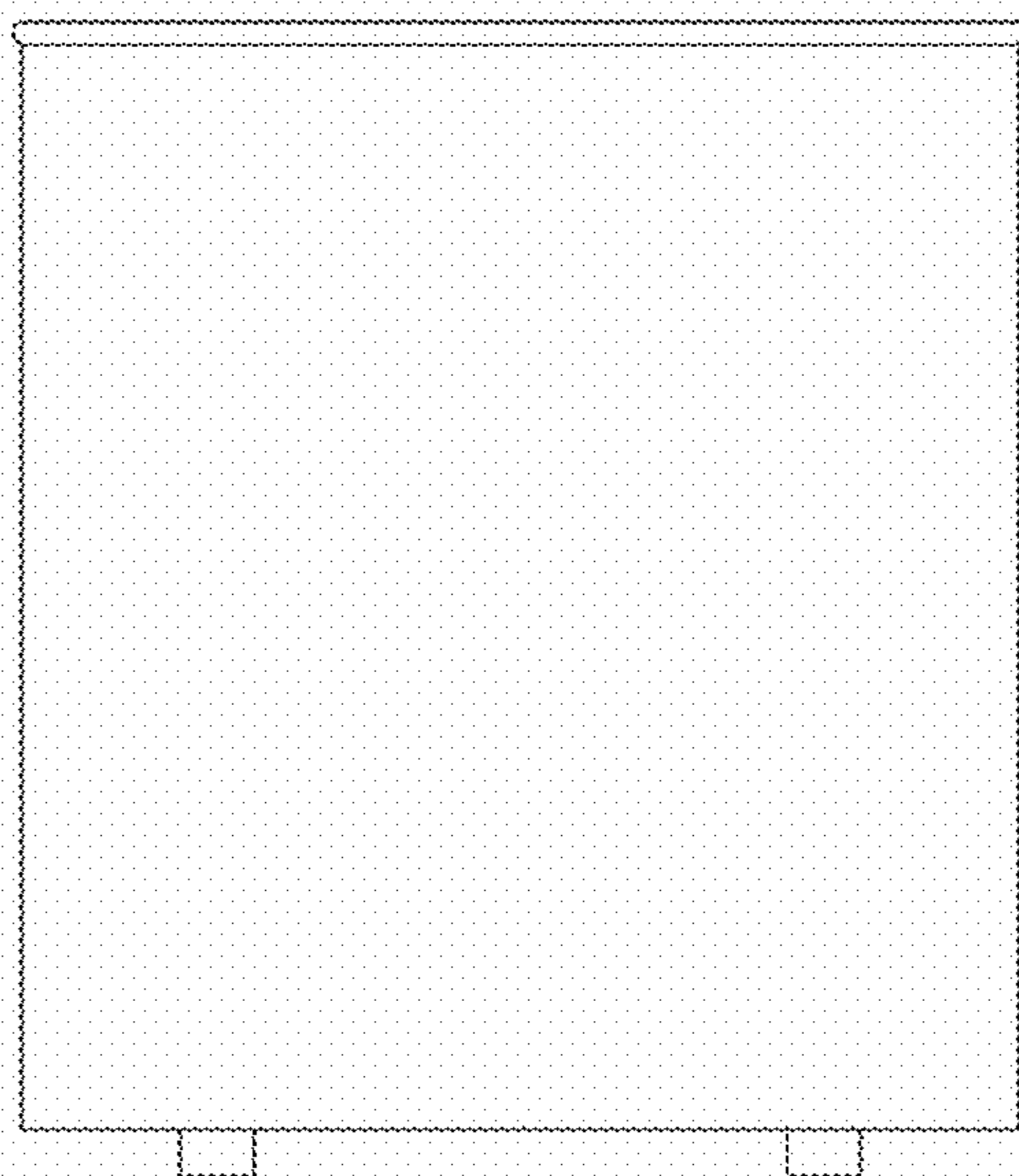


Fig. 12

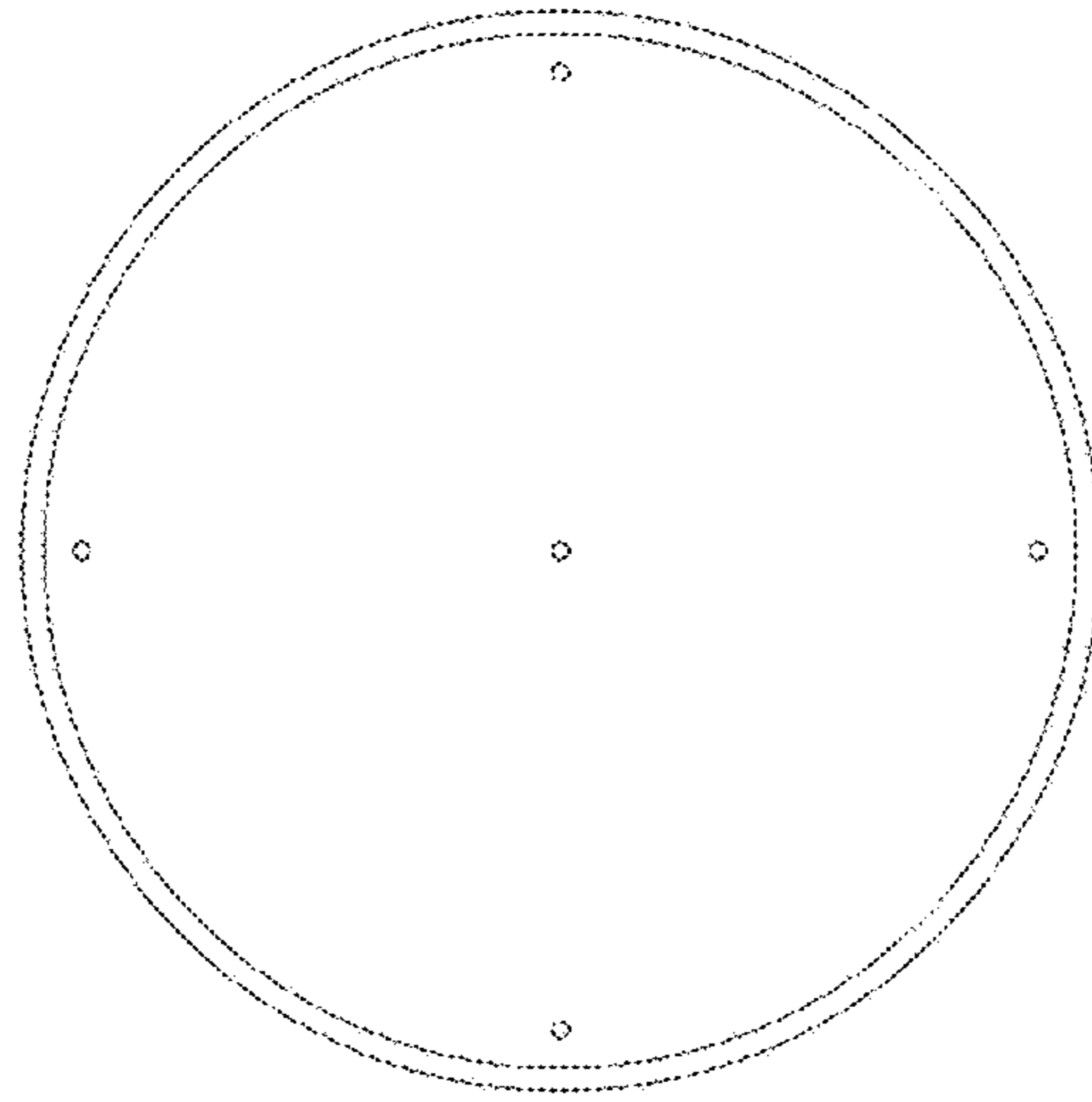


Fig. 13

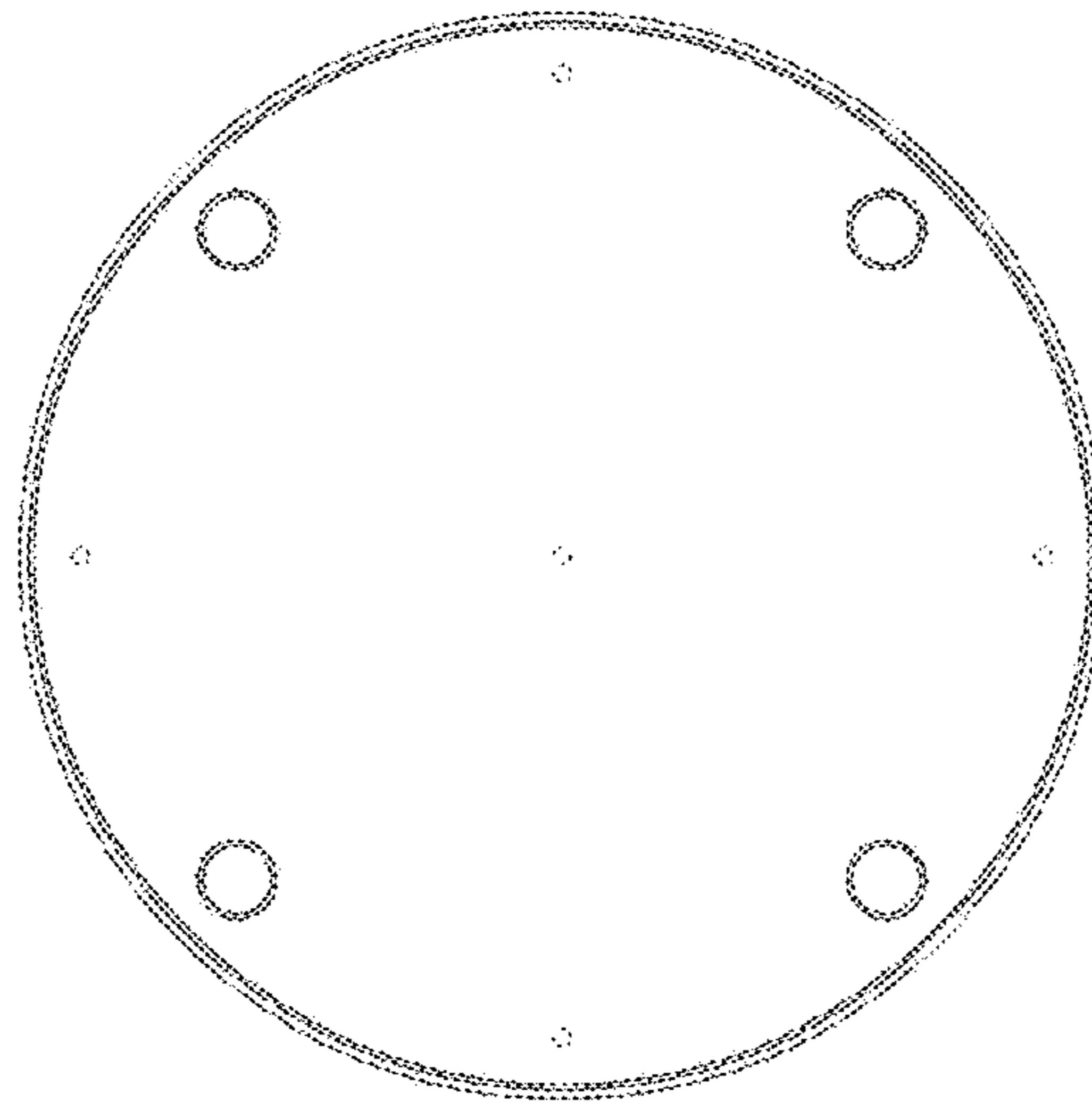


Fig. 14

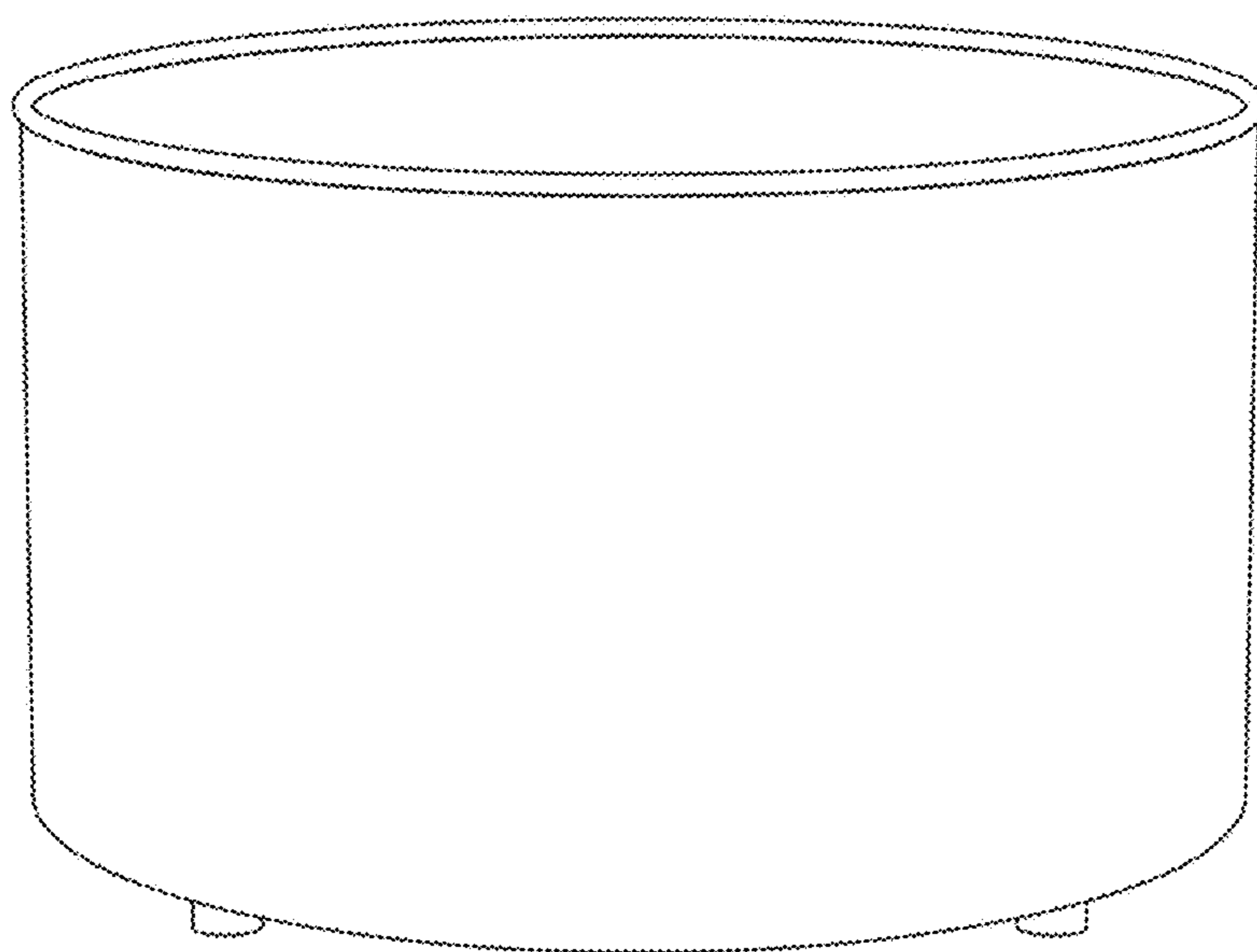


Fig. 15

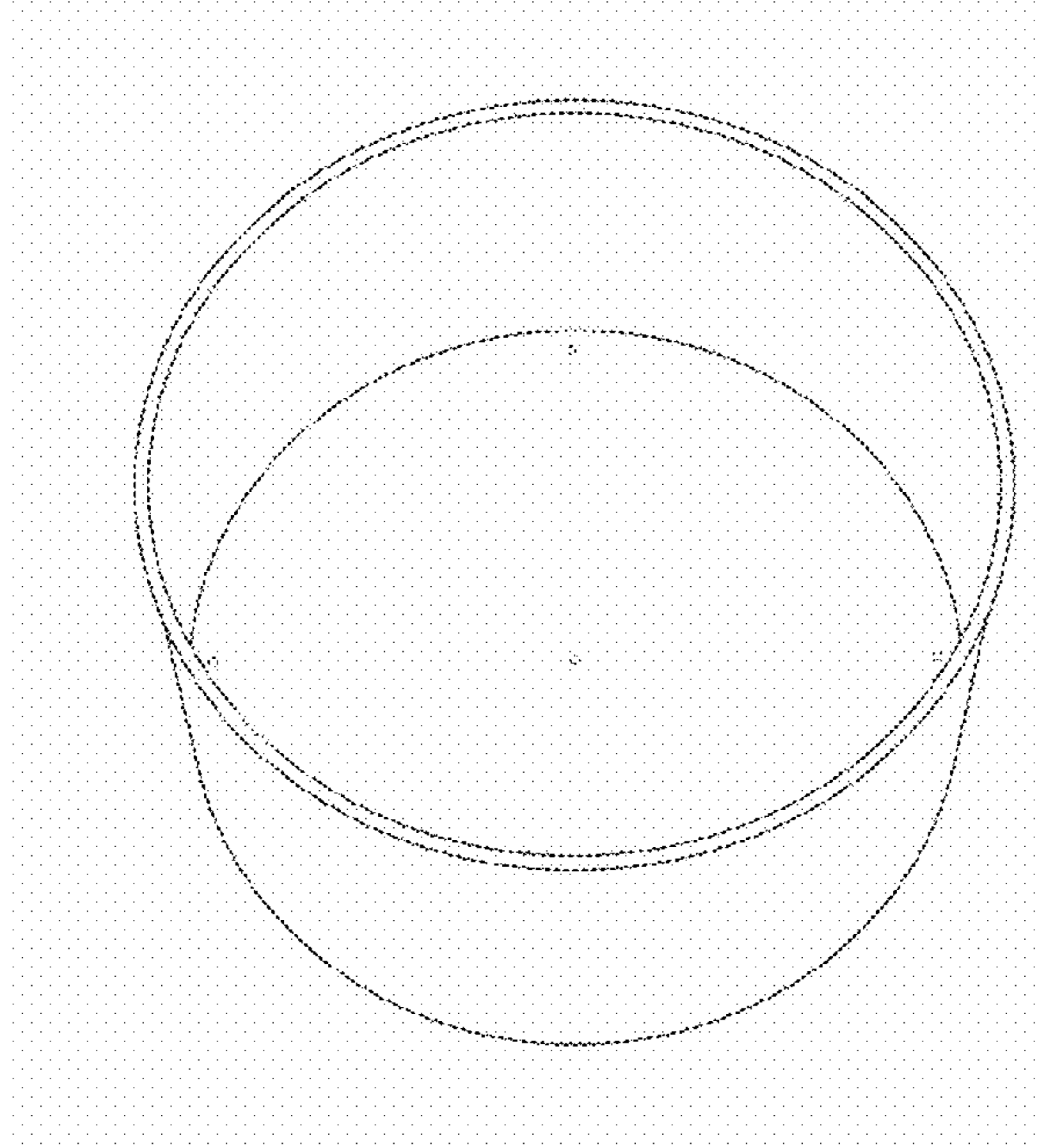


Fig. 16

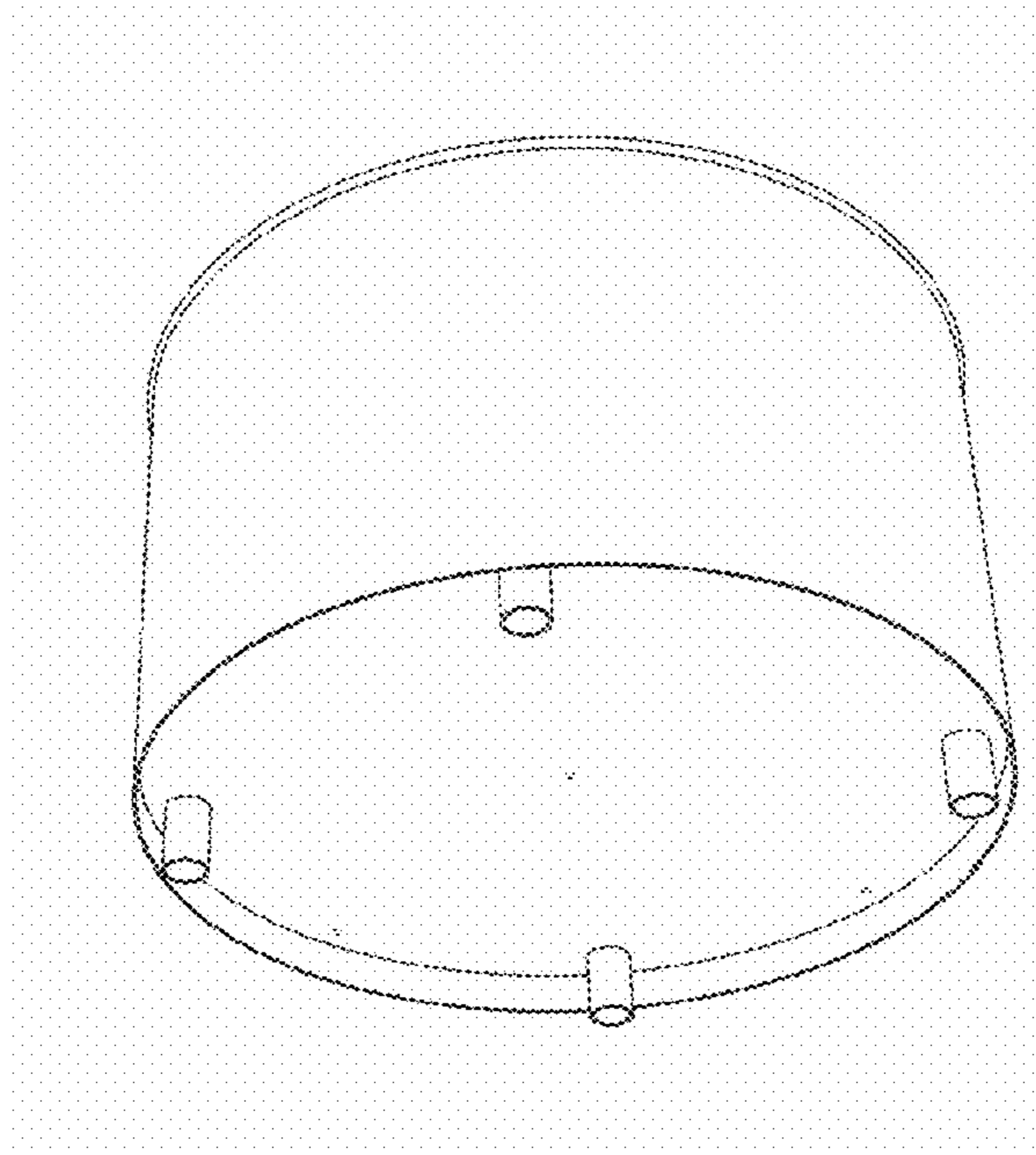


Fig. 17



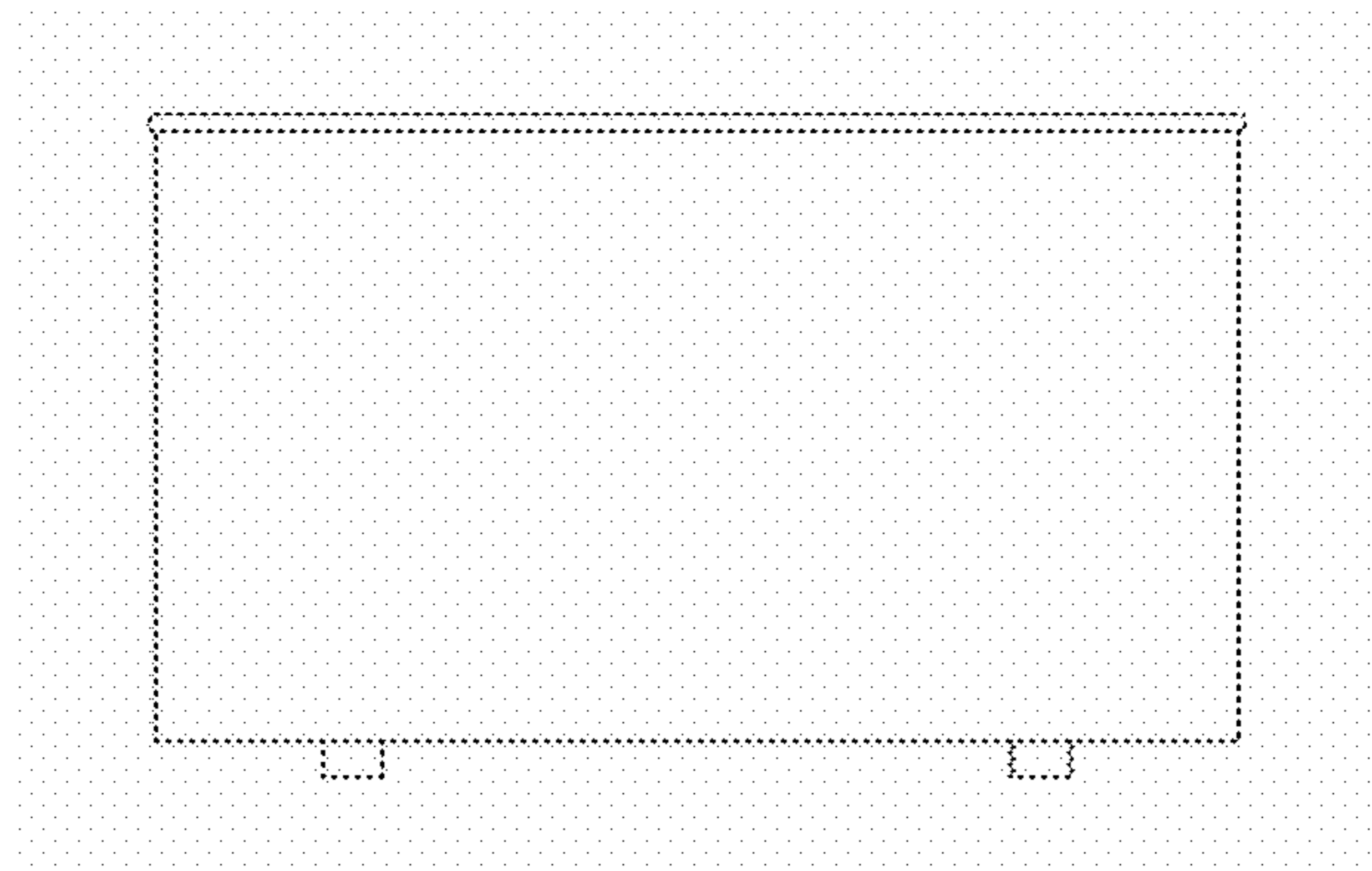


Fig. 18

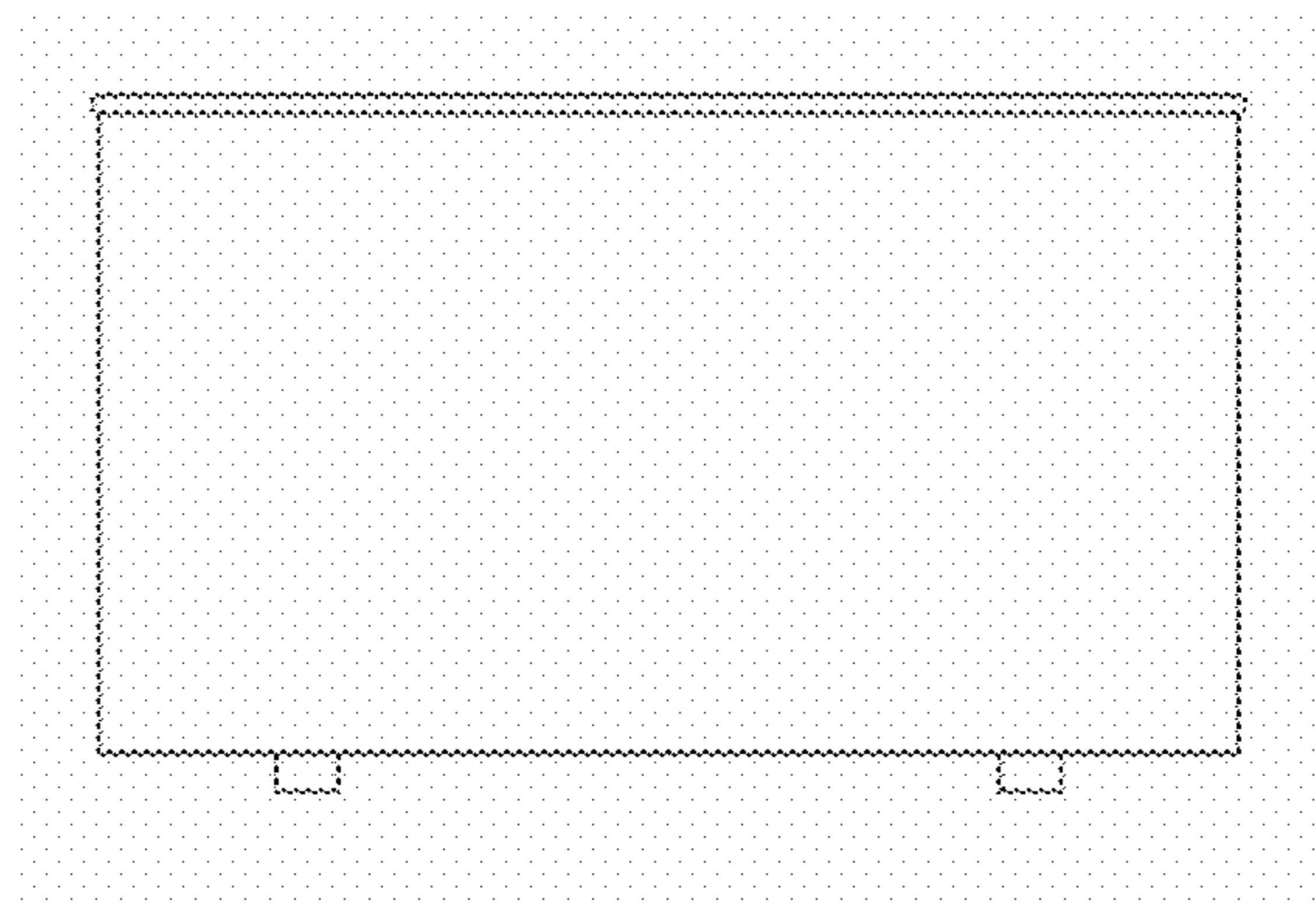


Fig. 19

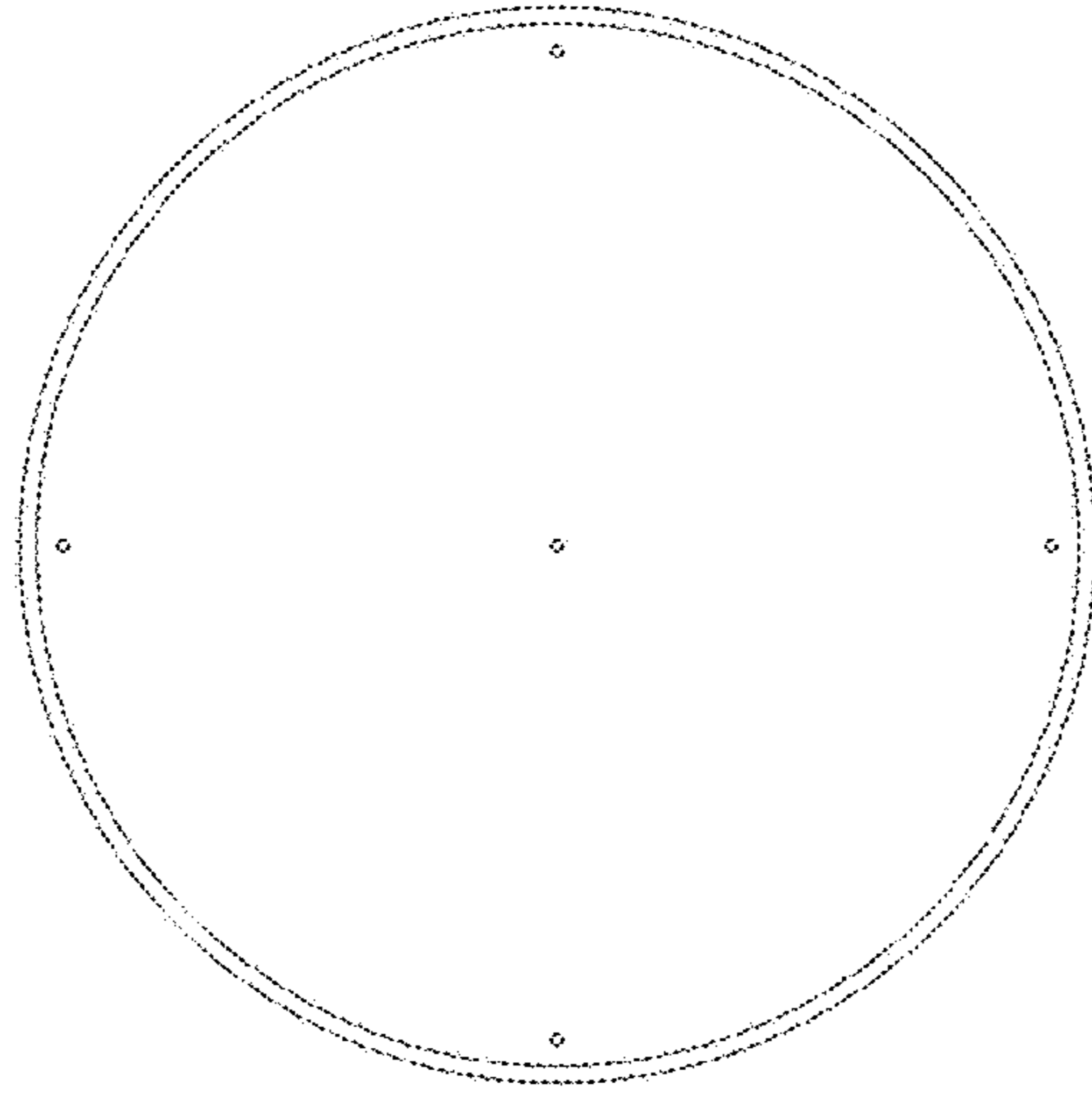


Fig. 20

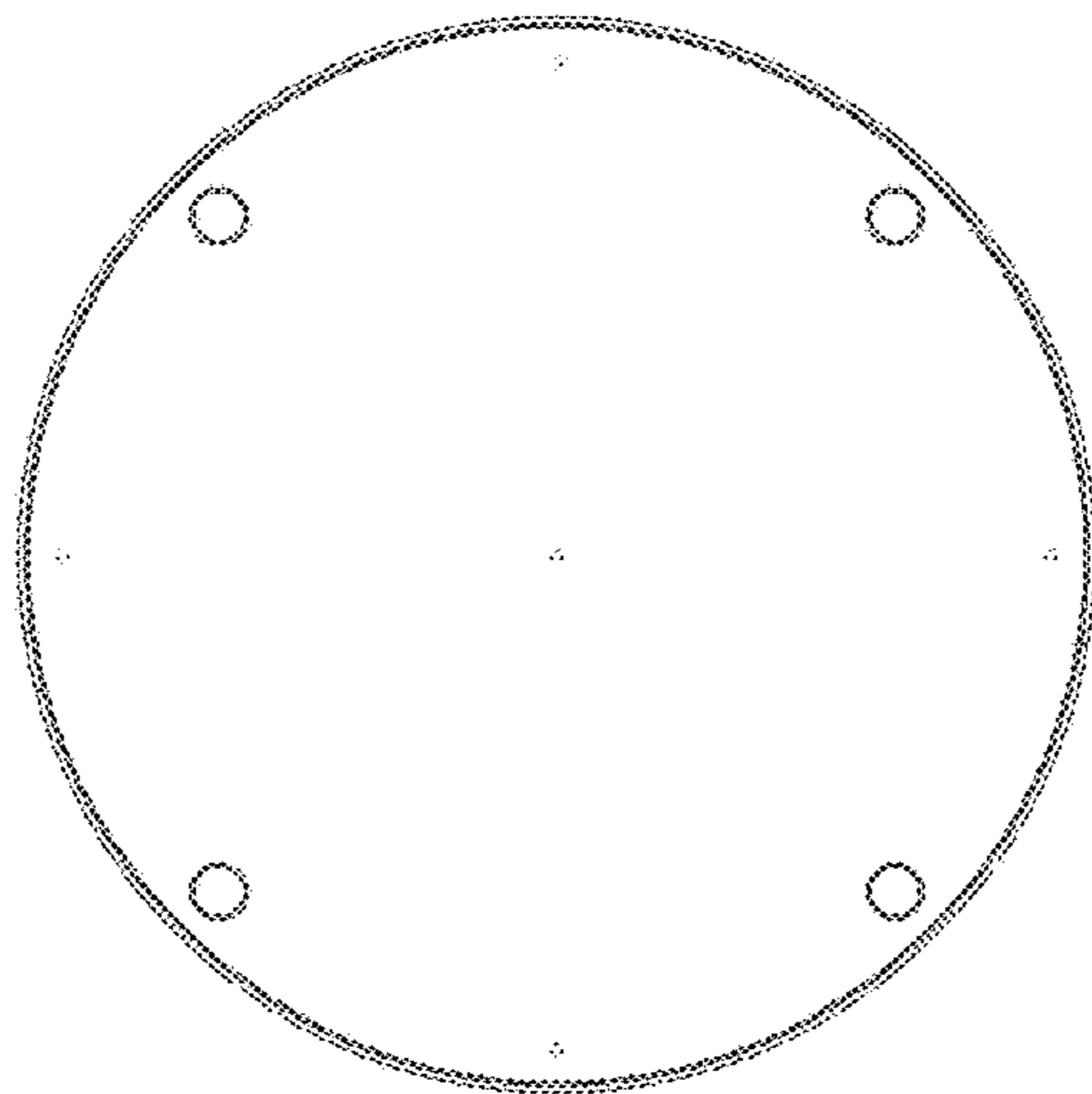


Fig. 21

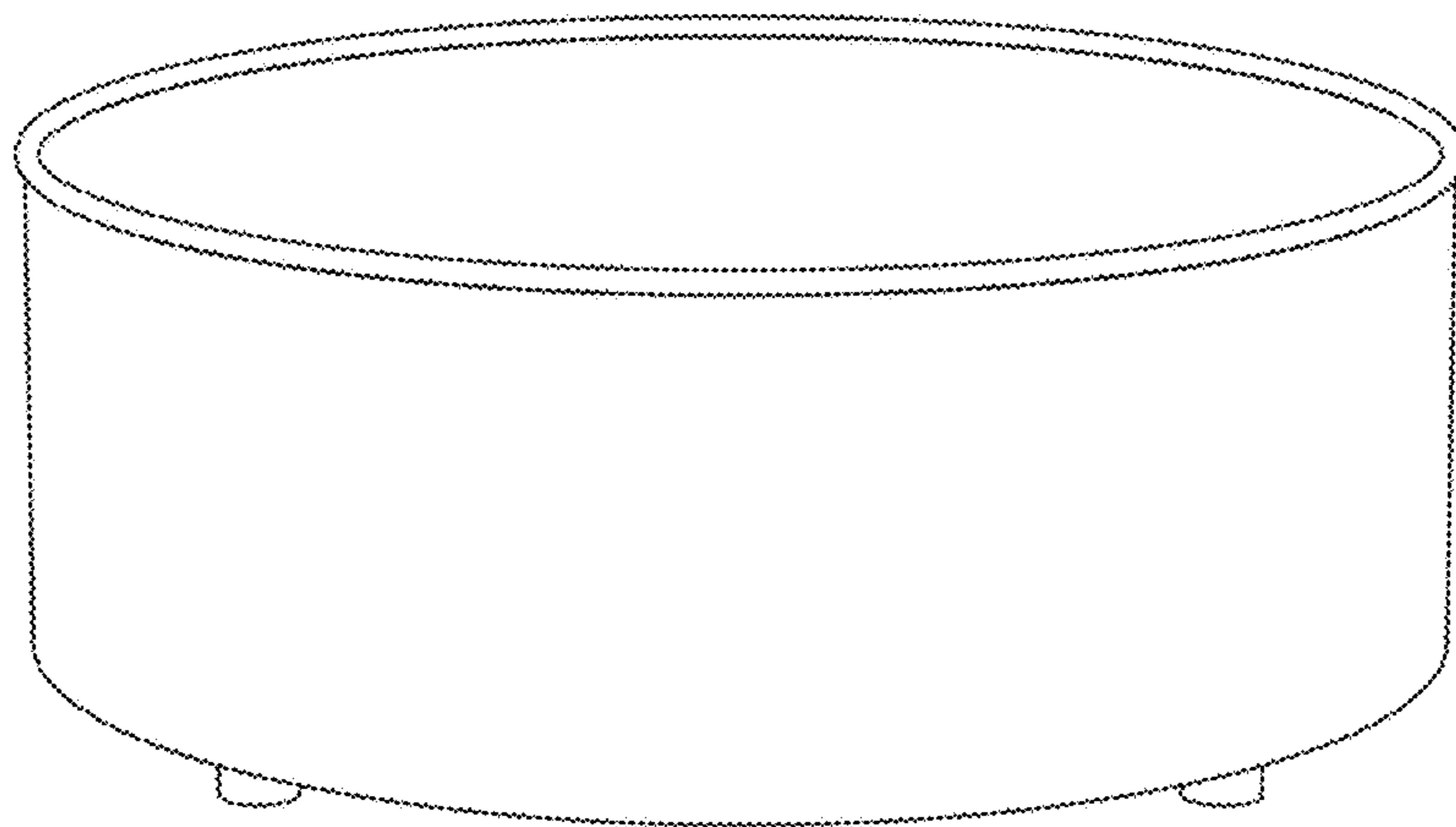


Fig. 22

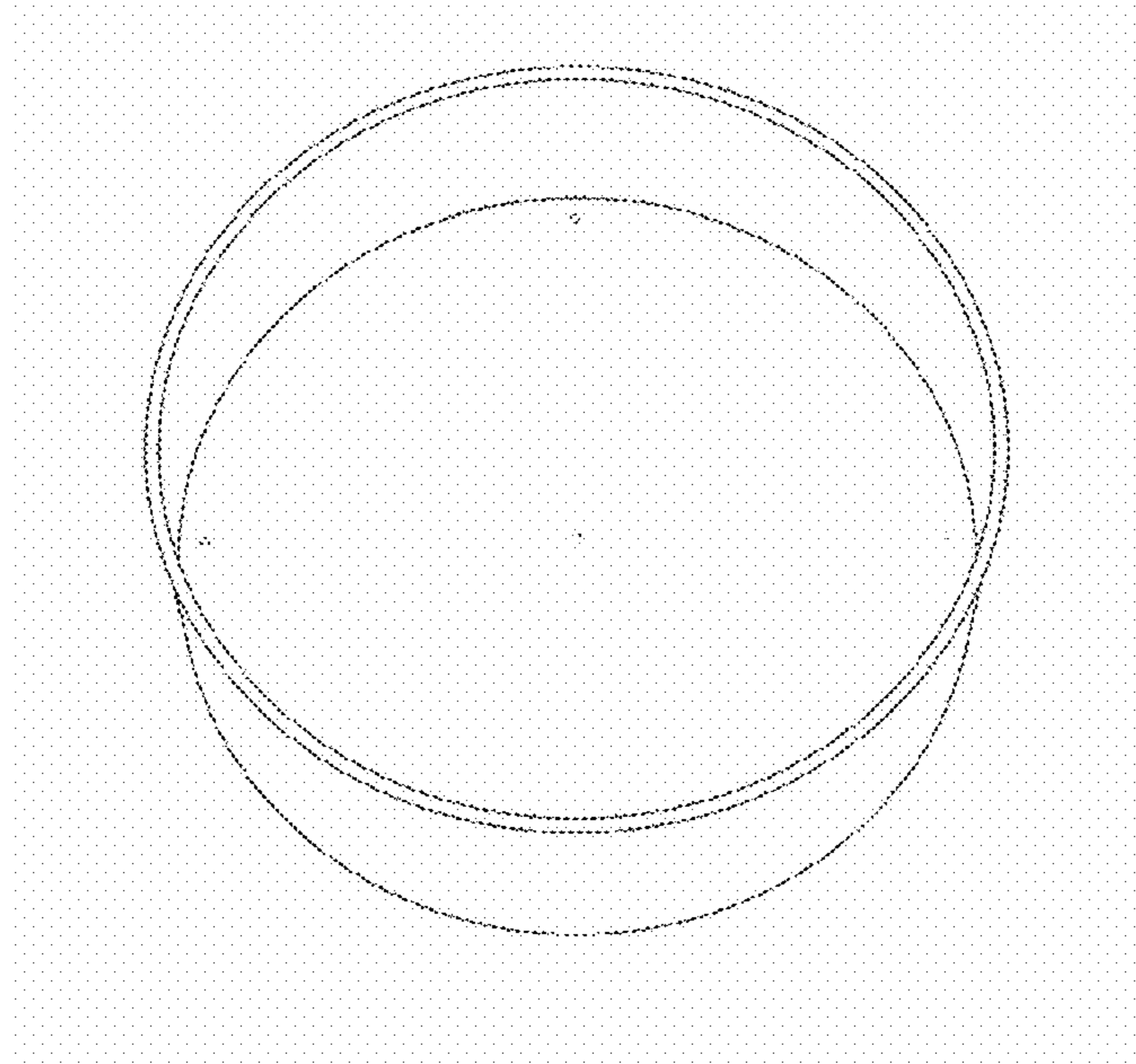


Fig. 23

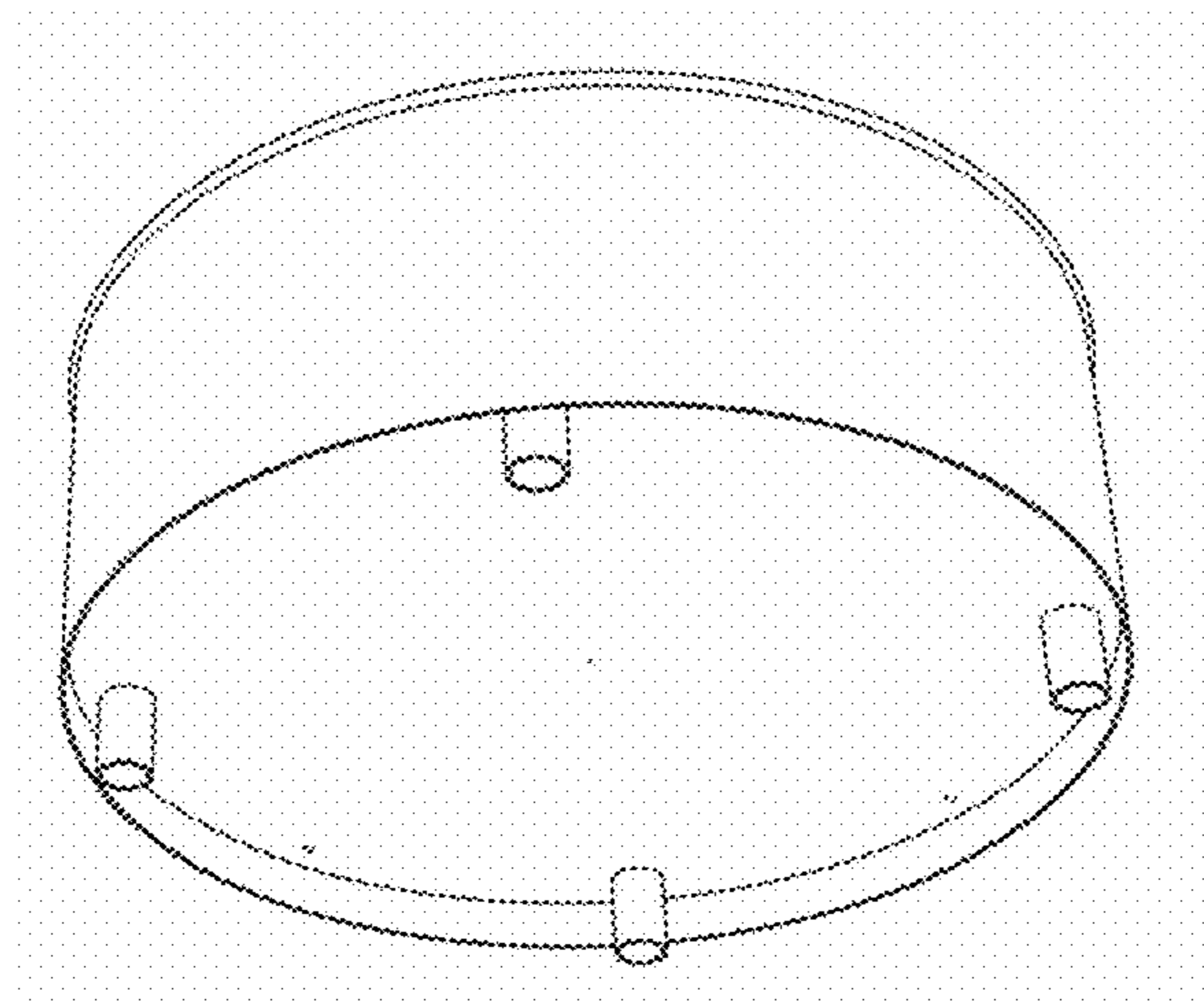


Fig. 24



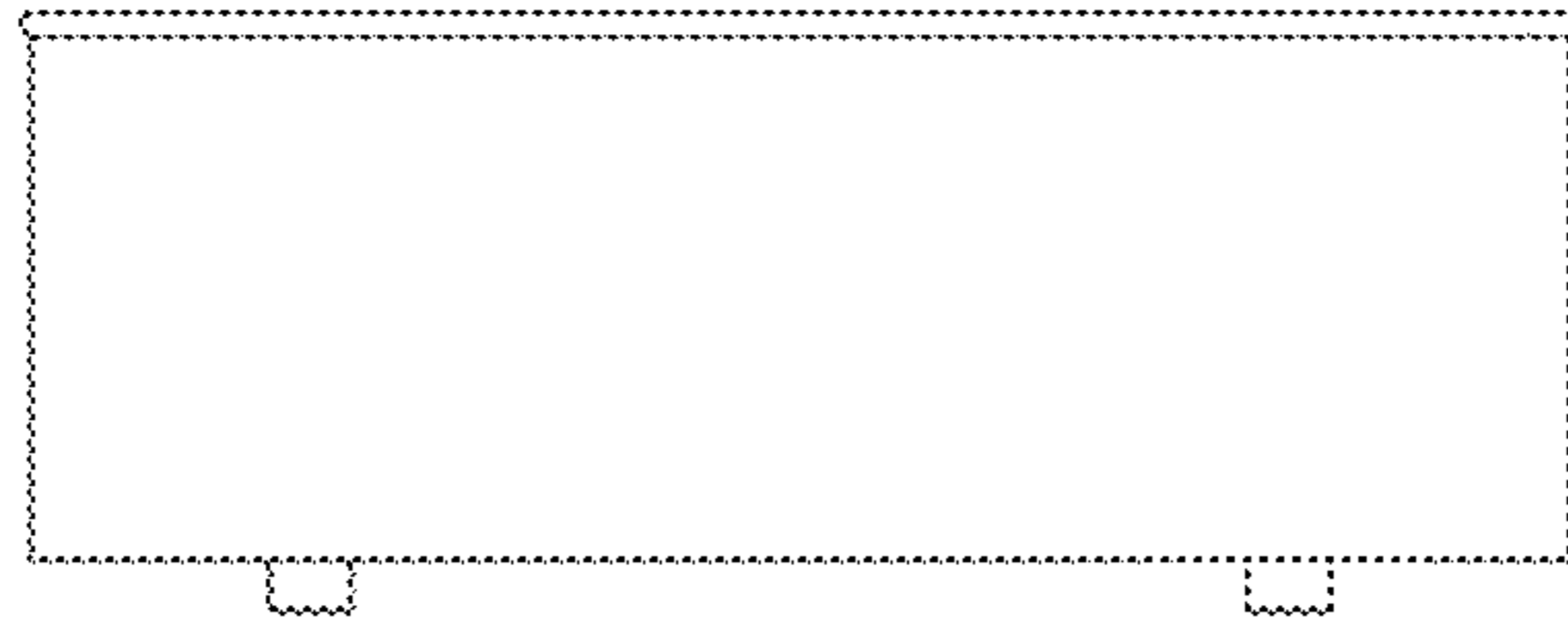


Fig. 25

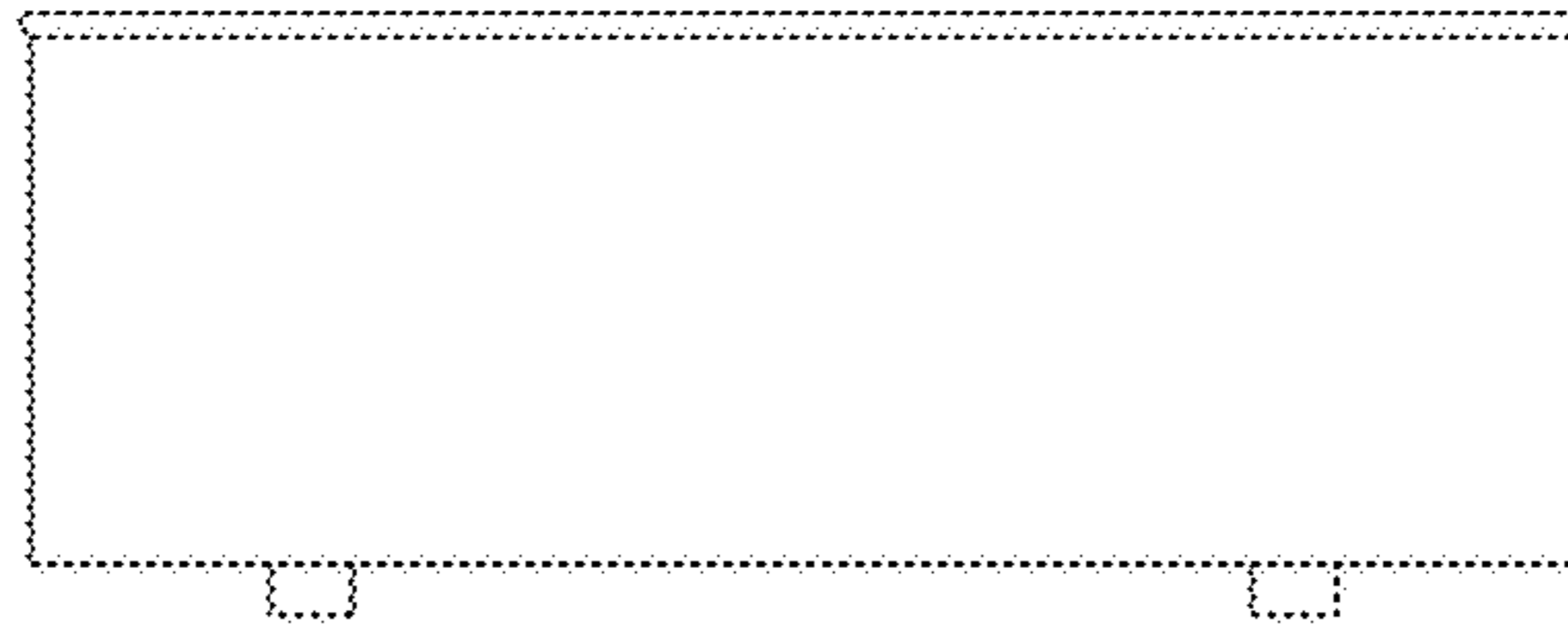


Fig. 26

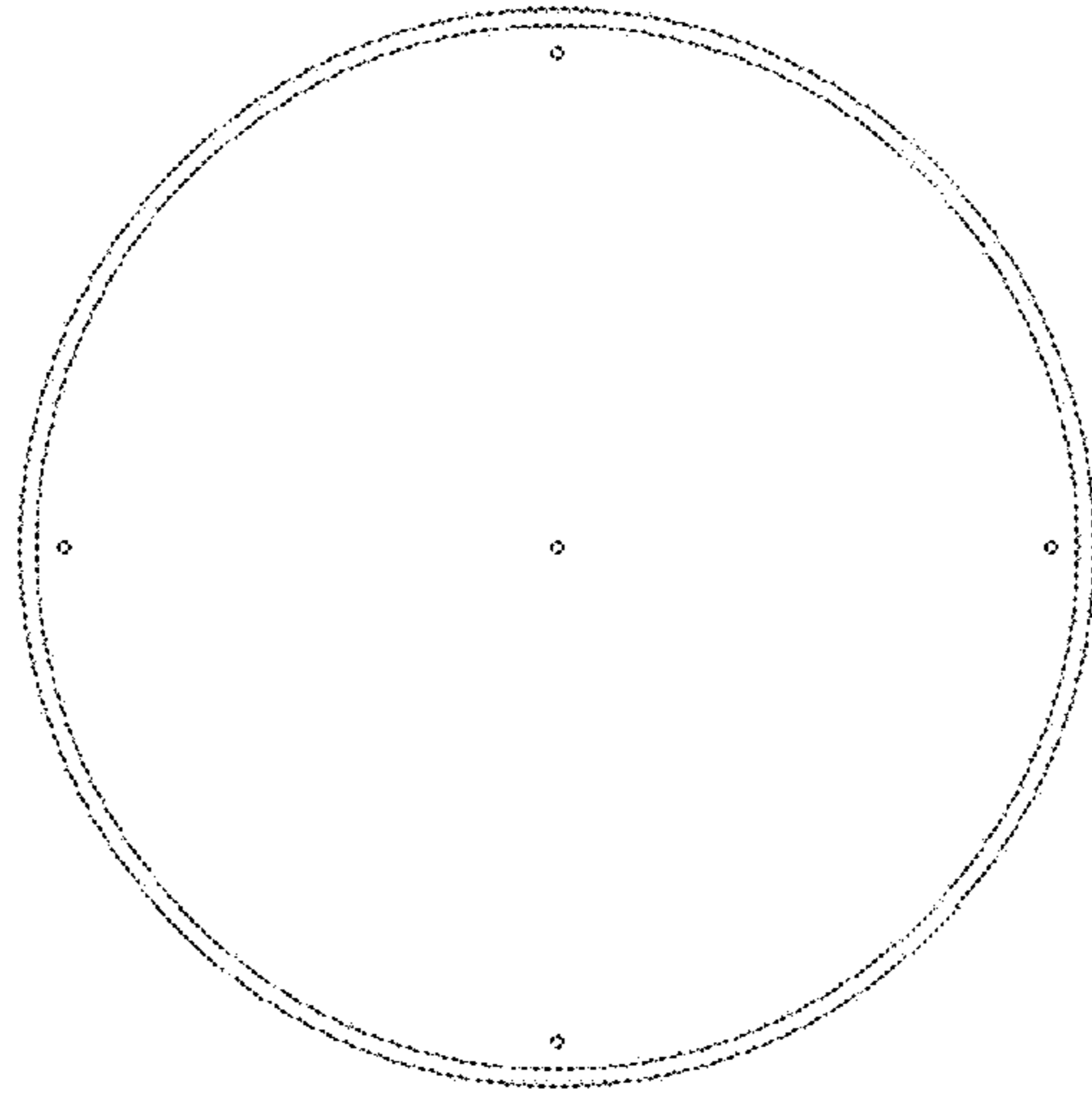


Fig. 27

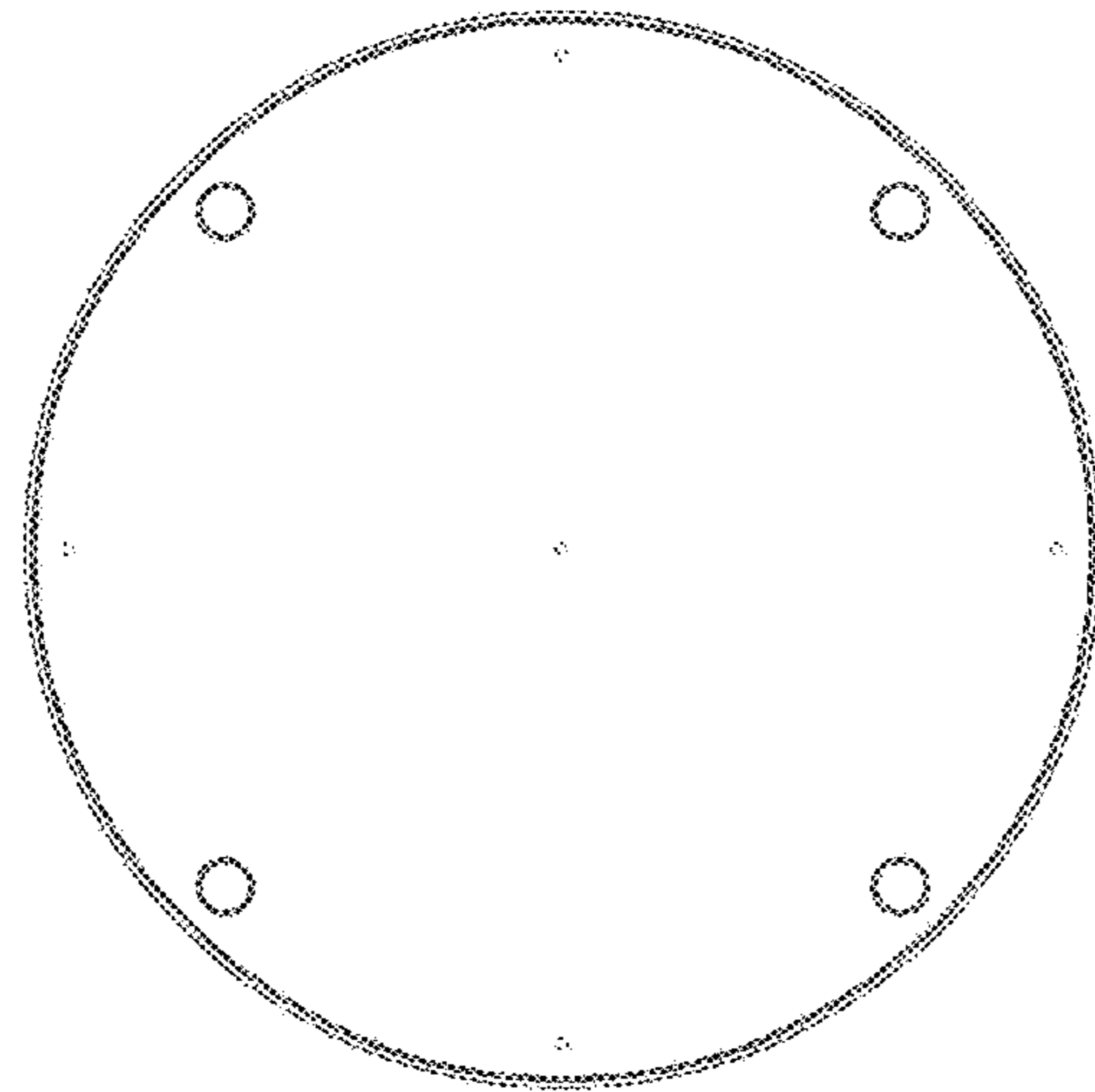


Fig. 28