



US00D846431S

(12) **United States Design Patent** (10) **Patent No.:** **US D846,431 S**
Stewart (45) **Date of Patent:** **** Apr. 23, 2019**

(54) **BOUQUET HOLDER**
(71) Applicant: **Daljit Kaur Stewart**, Surrey (CA)
(72) Inventor: **Daljit Kaur Stewart**, Surrey (CA)
(**) Term: **15 Years**
(21) Appl. No.: **29/626,071**
(22) Filed: **Nov. 14, 2017**
(51) **LOC (11) Cl.** **11-02**
(52) **U.S. Cl.**
USPC **D11/143**
(58) **Field of Classification Search**
USPC D6/403–405, 556–558; D11/143–156,
D11/164; D3/273, 279; D9/414, 424,
D9/432; D34/5, 11
CPC A01G 2009/003; A01G 9/00; A01G 9/02;
A01G 9/021; A01G 9/023; A01G 9/024;
A01G 9/025; A01G 9/029; A01G 9/0291;
A01G 9/0295; A01G 9/033; A01G 9/04;
A01G 9/042; A01G 9/012; A01G 5/04;
A47G 7/00; A47G 7/06; A47G 7/08
See application file for complete search history.

D294,128 S * 2/1988 Patricko D11/129
D365,700 S * 1/1996 Lee D6/403
D371,087 S * 6/1996 Jacobson D11/121
6,379,032 B1 * 4/2002 Sorensen B01F 13/002
366/130
D478,735 S * 8/2003 Sellers D6/403
D484,715 S * 1/2004 Missry D6/403
D498,701 S * 11/2004 Libuda D11/125
D504,789 S * 5/2005 Hayes D6/403
7,354,225 B1 * 4/2008 Cohen G09F 19/00
40/645
D705,499 S * 5/2014 Zamarripa D30/124
8,904,959 B2 * 12/2014 Lush A01K 39/0113
119/51.01
D723,325 S * 3/2015 Enghard D7/213
D725,431 S * 3/2015 Enghard D7/213
9,526,230 B2 * 12/2016 Day A01K 15/026
D777,898 S * 1/2017 Kumar D23/367
D784,760 S * 4/2017 Gilmartin D7/376

* cited by examiner

Primary Examiner — Elizabeth A. Albert
(74) *Attorney, Agent, or Firm* — Susan M. Tees

(57) **CLAIM**

The ornamental design for a bouquet holder, as shown and described.

DESCRIPTION

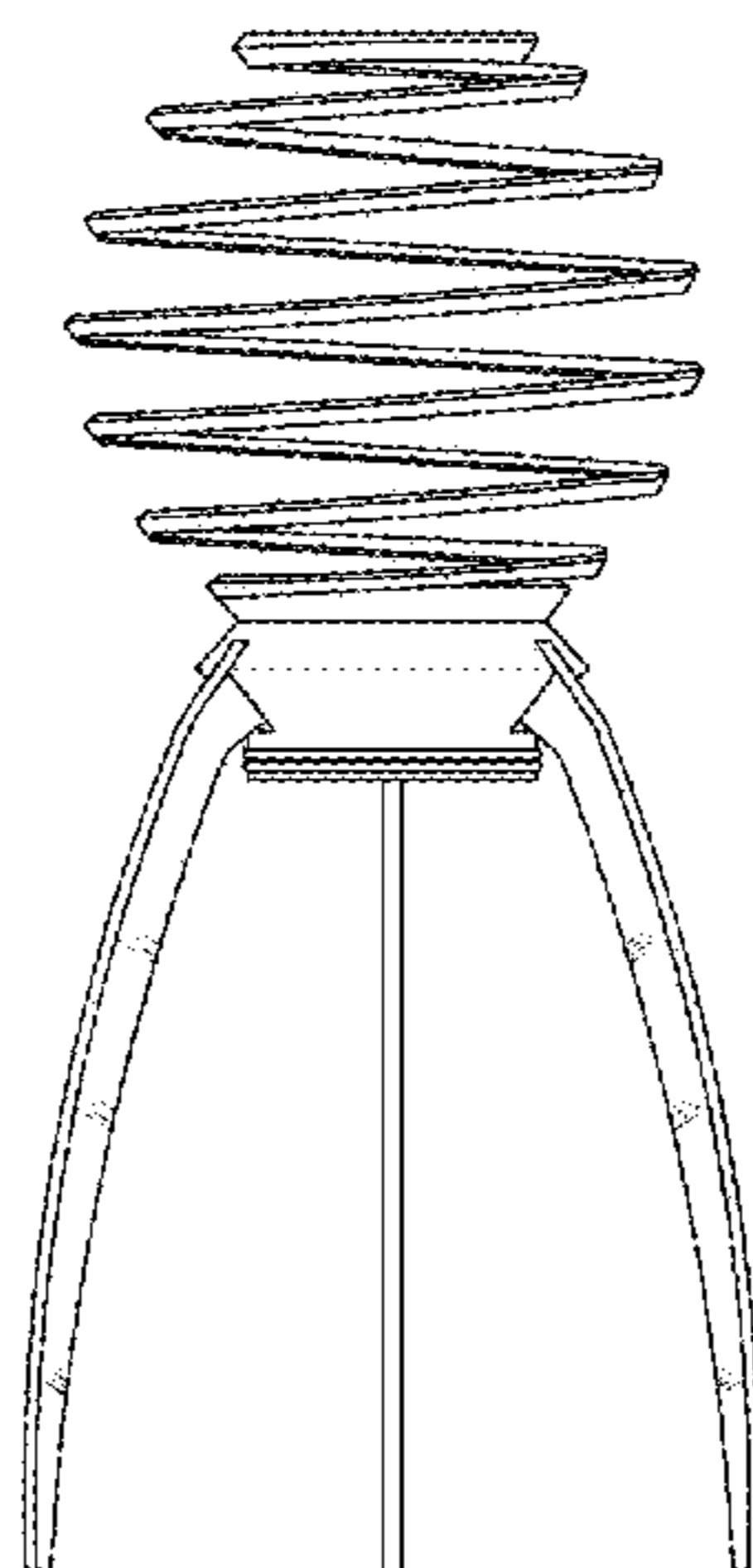
FIG. 1 is front elevation view of a bouquet holder showing my new design;
FIG. 2 is a left side elevation view thereof;
FIG. 3 is a right side elevation view thereof;
FIG. 4 is a top plan view thereof;
FIG. 5 is a bottom plan view thereof;
FIG. 6 is a top perspective view thereof; and,
FIG. 7 is a bottom perspective view thereof.

1 Claim, 6 Drawing Sheets

(56) **References Cited**

U.S. PATENT DOCUMENTS

2,464,665 A * 3/1949 Anderson A63H 11/00
119/461
D181,358 S * 11/1957 Johnson D11/121
D236,148 S * 7/1975 Rosenberg D11/147
4,595,369 A * 6/1986 Downs A63F 7/04
273/109
4,637,941 A * 1/1987 Rochte A63H 33/40
156/143
D294,012 S * 2/1988 Patricko D11/123



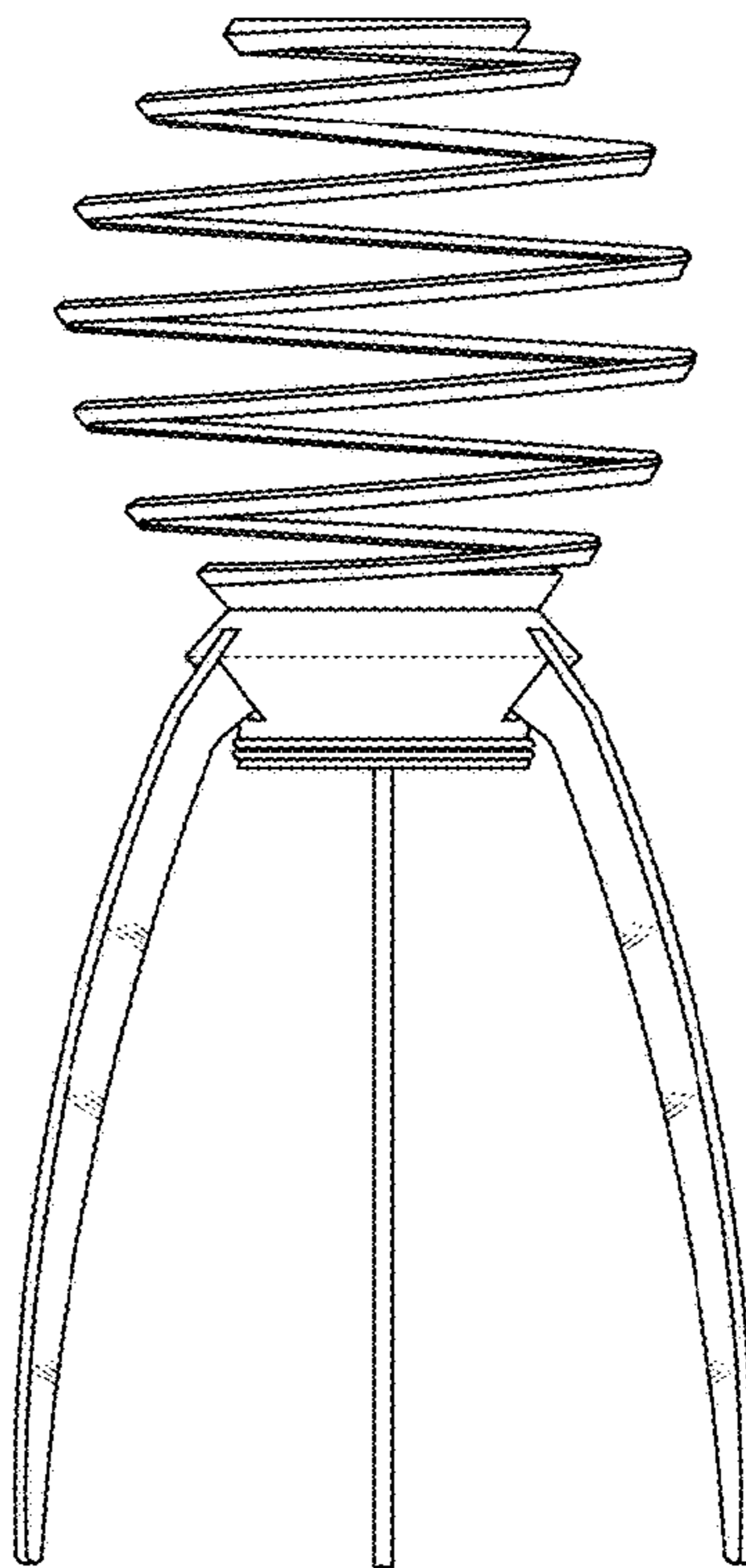


FIG. 1

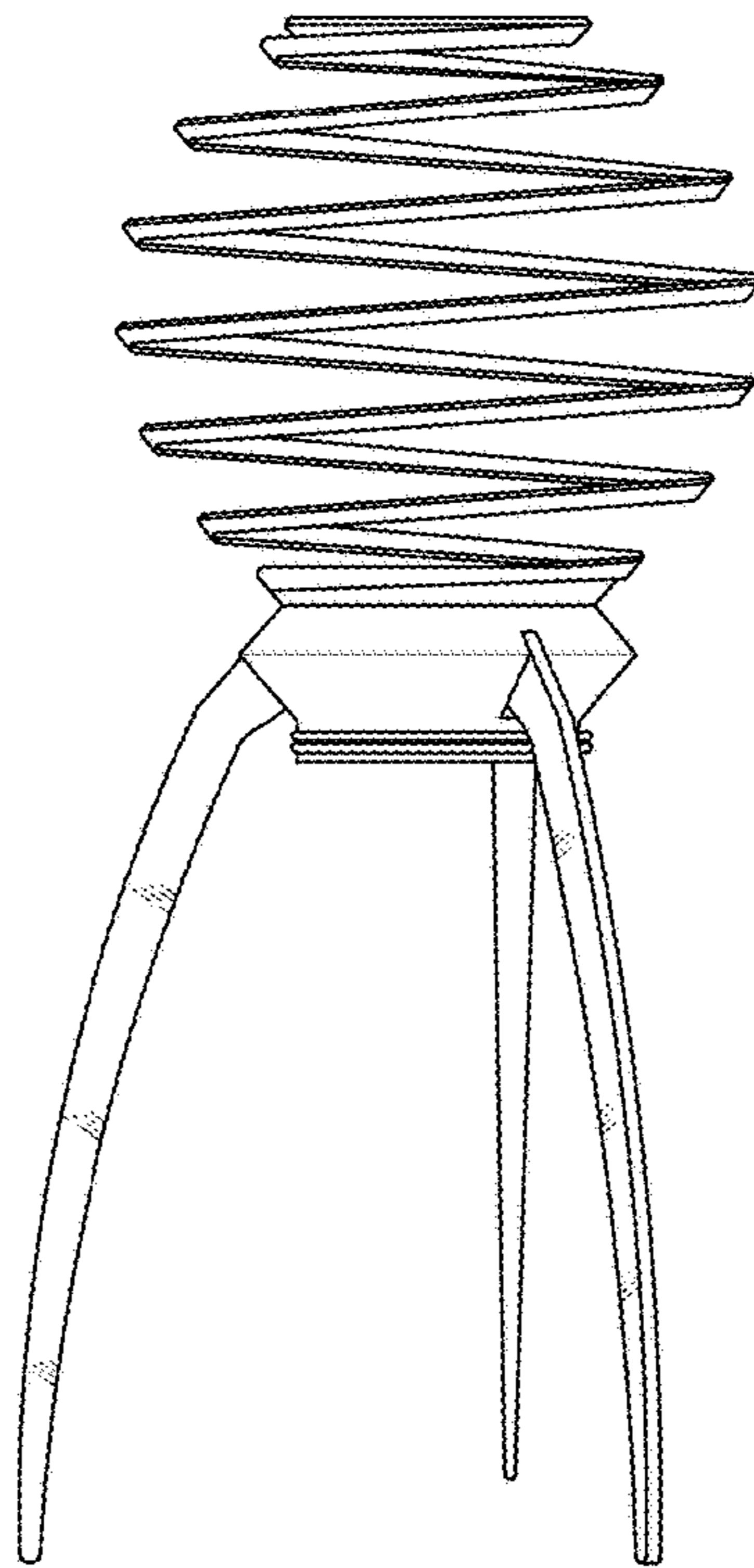


FIG. 2

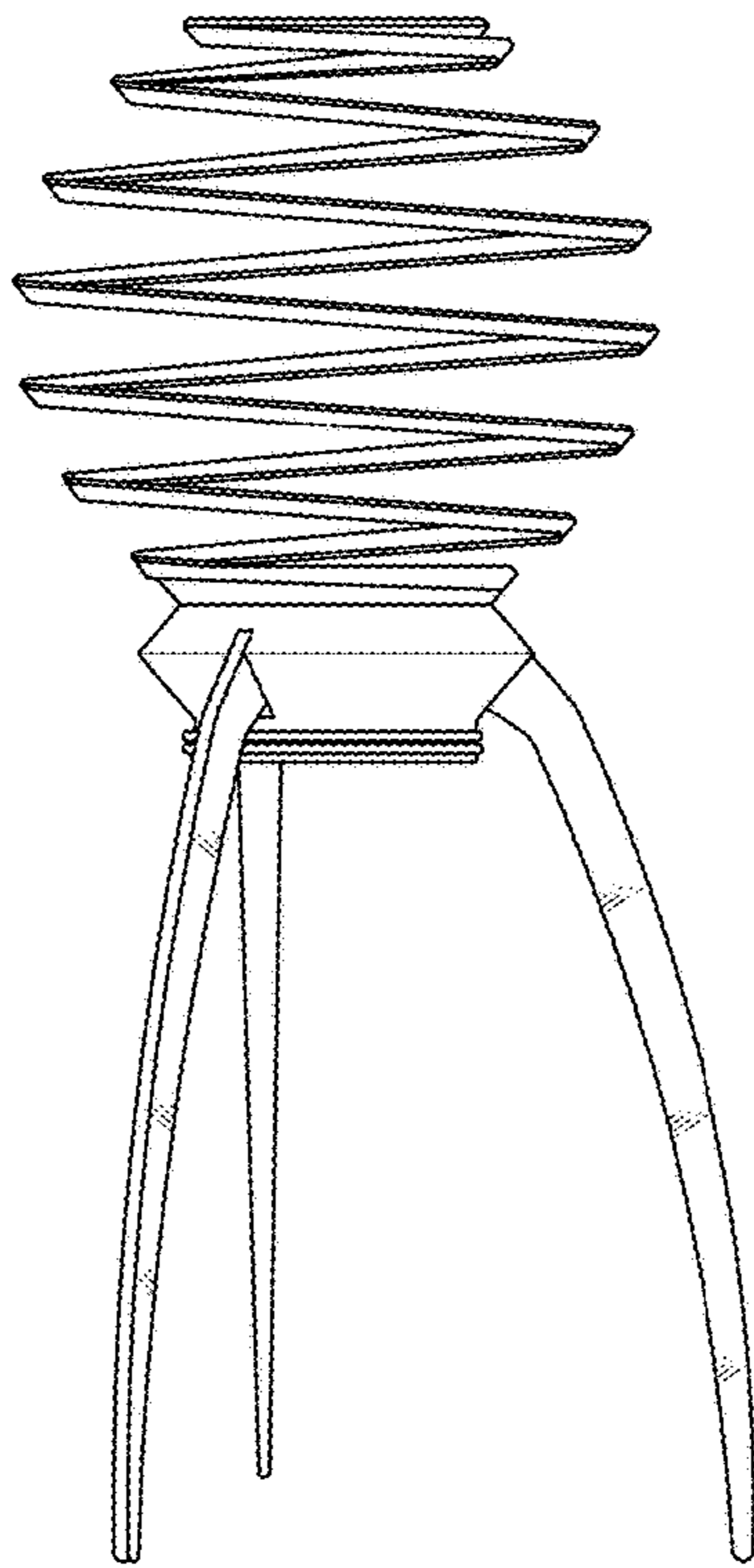


FIG. 3

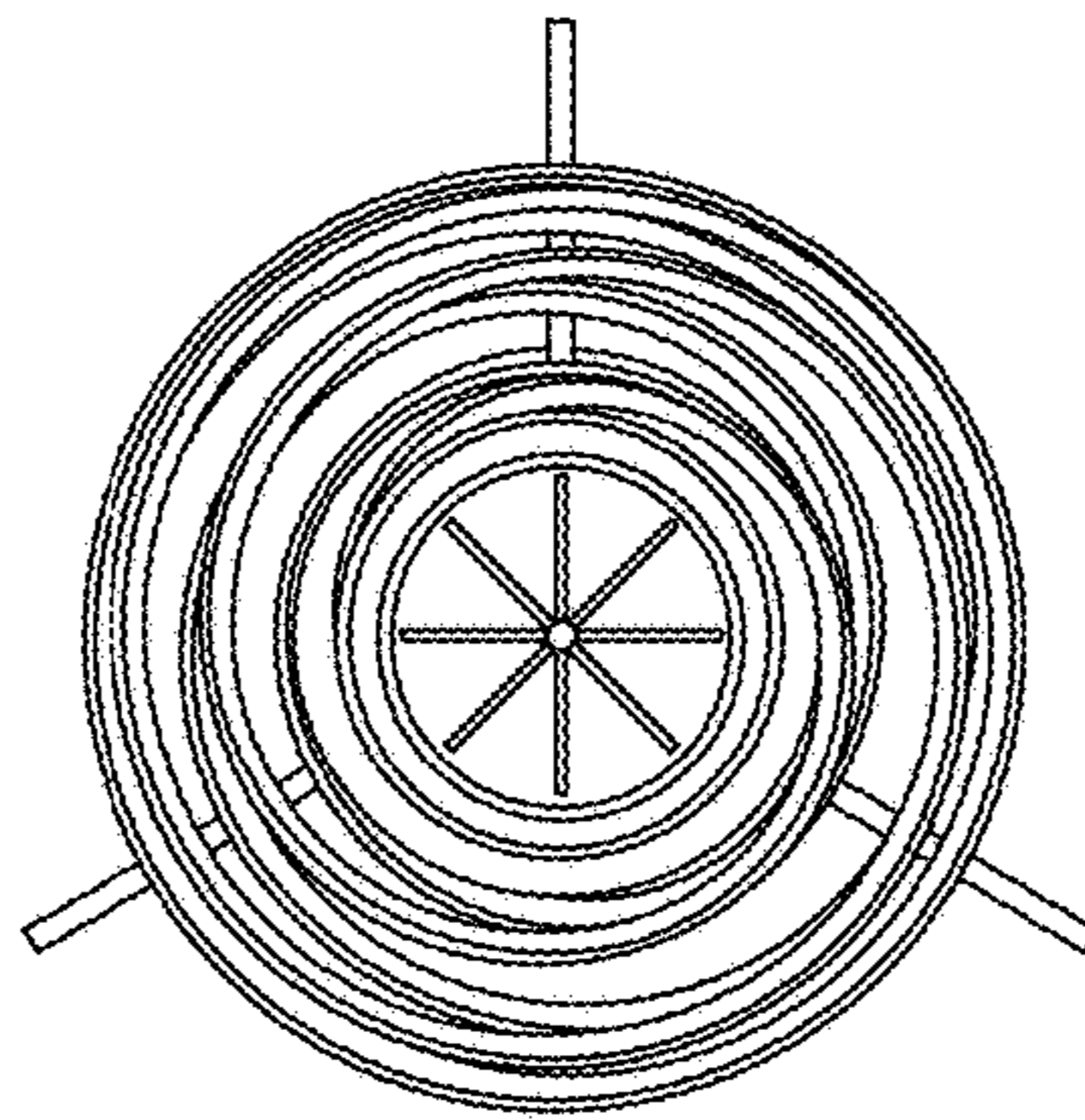


FIG. 4

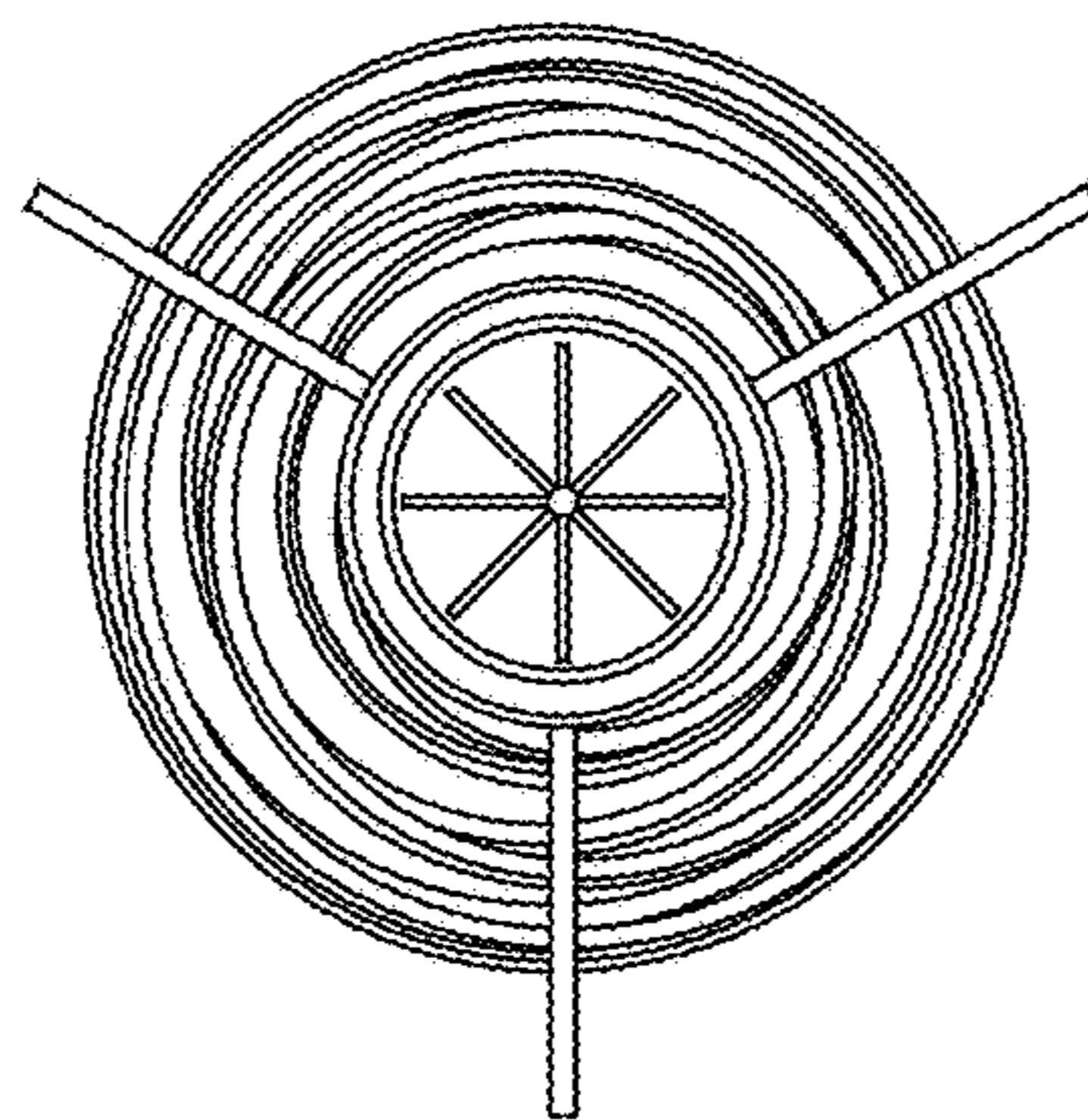


FIG. 5

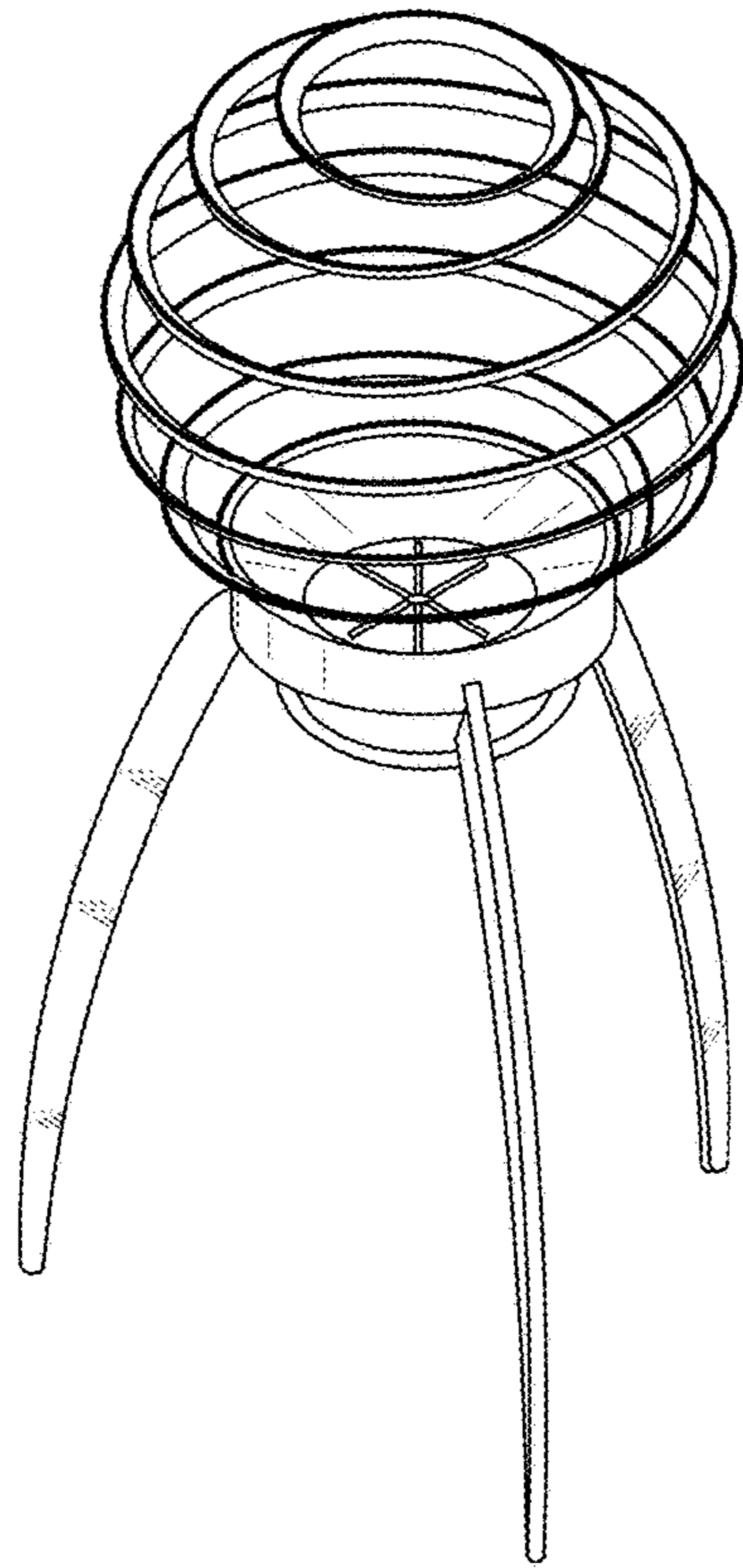


FIG. 6

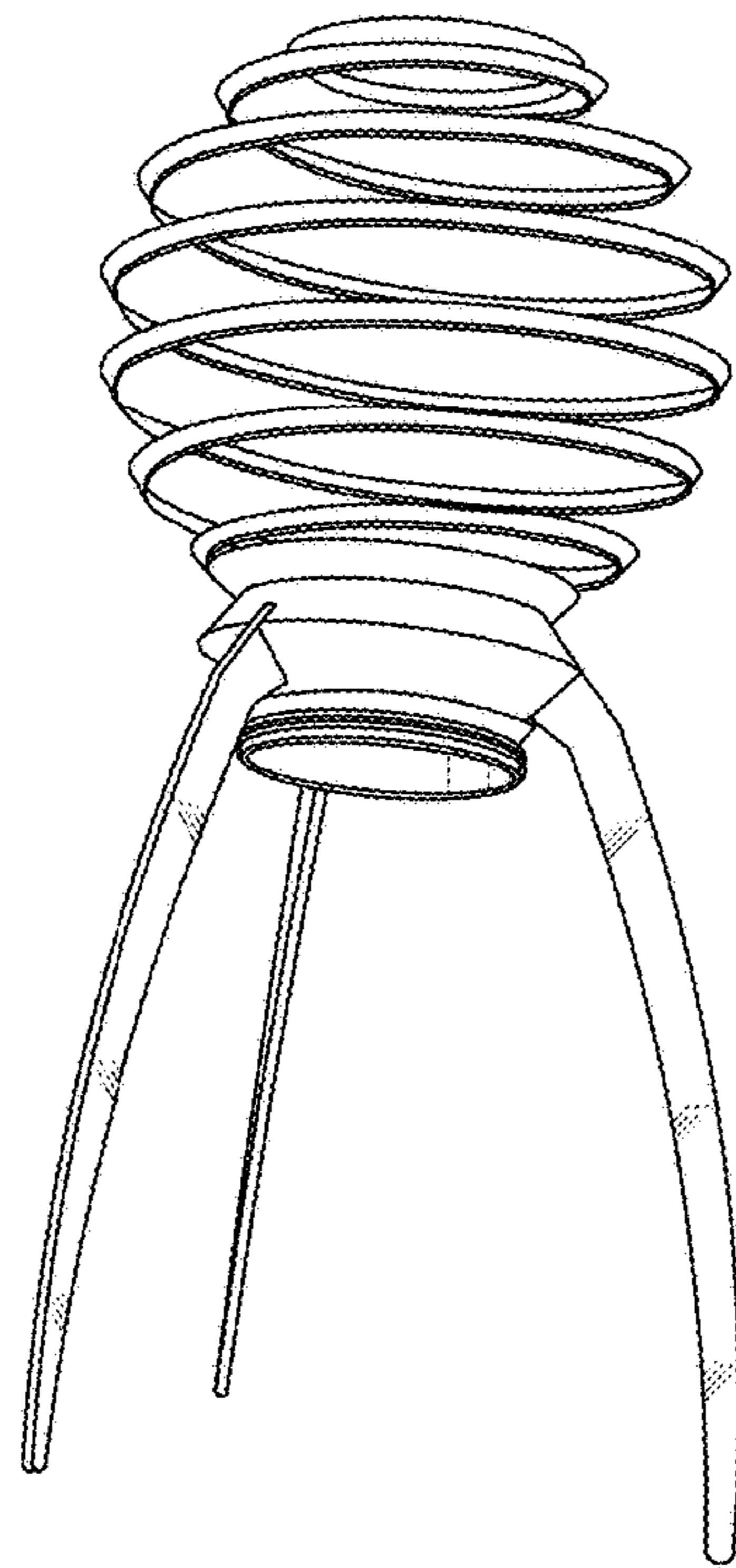


FIG. 7