

US00D846424S

(12) **United States Design Patent**  
**Sallard**

(10) **Patent No.:** **US D846,424 S**

(45) **Date of Patent:** **\*\* Apr. 23, 2019**

(54) **PENDANT**

(71) Applicant: **CARTIER INTERNATIONAL AG,**  
Steinhausen (CH)

(72) Inventor: **Emmanuelle Sallard,** Paris (FR)

(73) Assignee: **CARTIER INTERNATIONAL AG,**  
Steinhausen (CH)

(\*\*) Term: **15 Years**

(21) Appl. No.: **29/633,257**

(22) Filed: **Jan. 12, 2018**

(51) **LOC (11) Cl.** ..... **11-01**

(52) **U.S. Cl.**  
USPC ..... **D11/79**

(58) **Field of Classification Search**

USPC ..... D3/318, 322; D11/1, 2, 7, 8, 40, 41, 42,  
D11/43, 44, 45, 48, 51, 52, 62, 76, 79,  
D11/80, 81, 82, 84, 89-91

CPC .. A44C 1/00; A44C 3/008; A44C 7/00; A44C  
7/002; A44C 7/003; A44C 7/004; A44C  
7/005; A44C 7/006; A44C 7/007; A44C  
7/008; A44C 7/009; A44C 13/00; A44C  
15/001; A44C 15/0025; A44C 25/001;  
A44C 25/004; A44C 25/005; A44C  
25/007; A44C 25/008

See application file for complete search history.

(56) **References Cited**

**U.S. PATENT DOCUMENTS**

D114,475 S \* 4/1939 Simon ..... D11/36  
D152,068 S \* 12/1948 Donchi ..... D11/90

D337,546 S \* 7/1993 Keshishian ..... D11/6  
D447,080 S \* 8/2001 Itzkowitz ..... D11/26  
D549,128 S \* 8/2007 Kothari ..... D11/25  
D556,084 S \* 11/2007 Kothari ..... D11/91  
D620,387 S \* 7/2010 Kothari ..... D11/91  
D642,088 S \* 7/2011 Kothari ..... D11/40  
D712,297 S \* 9/2014 Taylor-Cattapan ..... D11/79  
D761,151 S \* 7/2016 Weems ..... D11/80  
D808,851 S \* 1/2018 Kwon ..... D11/40

\* cited by examiner

*Primary Examiner* — Kevin K Rudzinski

*Assistant Examiner* — Richard Kearney

(74) *Attorney, Agent, or Firm* — Oliff PLC

(57) **CLAIM**

The ornamental design for a pendant, as shown and described.

**DESCRIPTION**

FIG. 1 is a front, left-side, top perspective view of the pendant;

FIG. 2 is a front elevational view thereof;

FIG. 3 is a top plan view thereof;

FIG. 4 is a left-side elevational view thereof;

FIG. 5 is a right-side elevational view thereof;

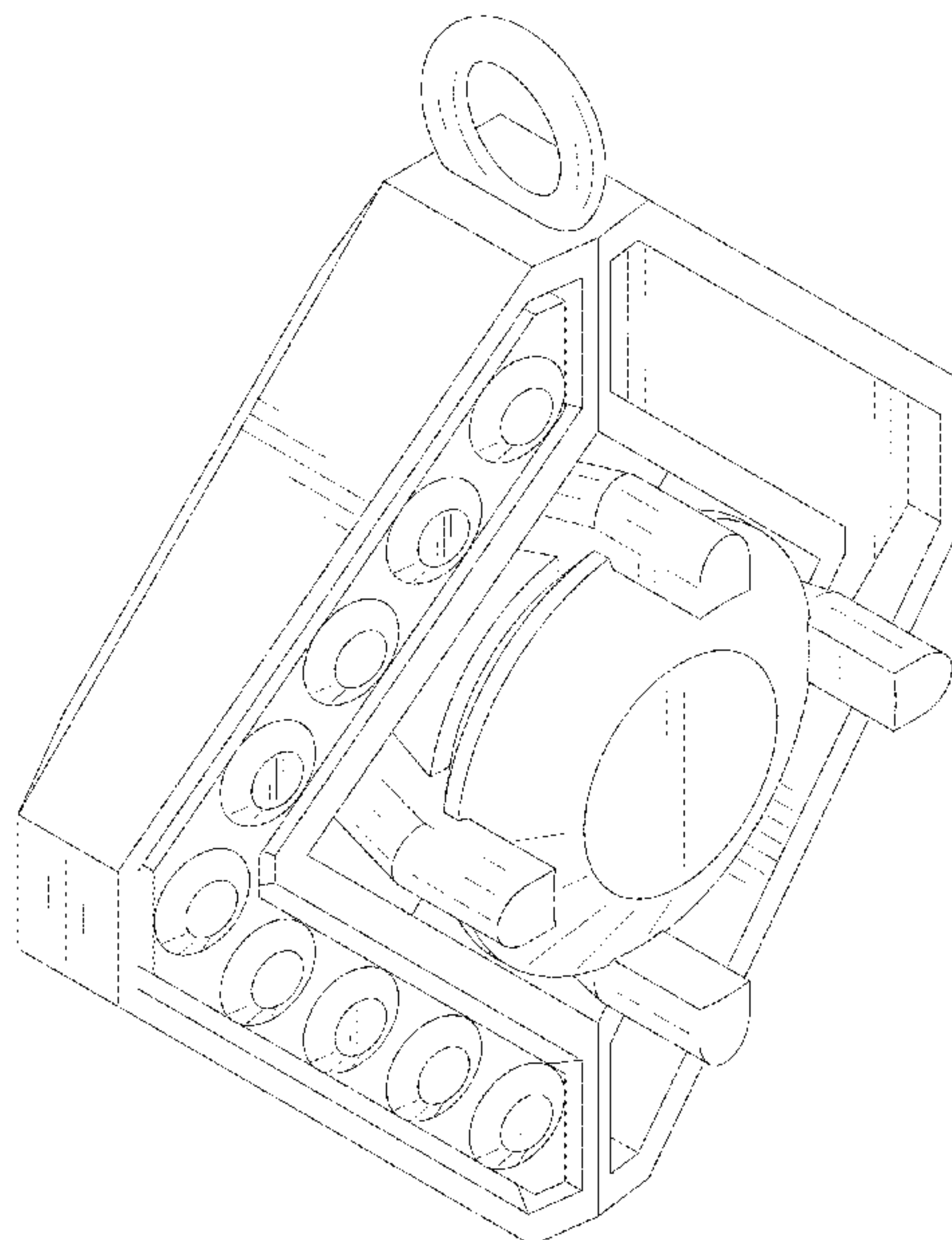
FIG. 6 is a rear elevational view thereof

FIG. 7 is a bottom plan view thereof; and,

FIG. 8 is a front, right-side, bottom perspective view thereof.

The broken lines depict unclaimed parts of the pendant, and thus form no part of the claimed design.

**1 Claim, 7 Drawing Sheets**



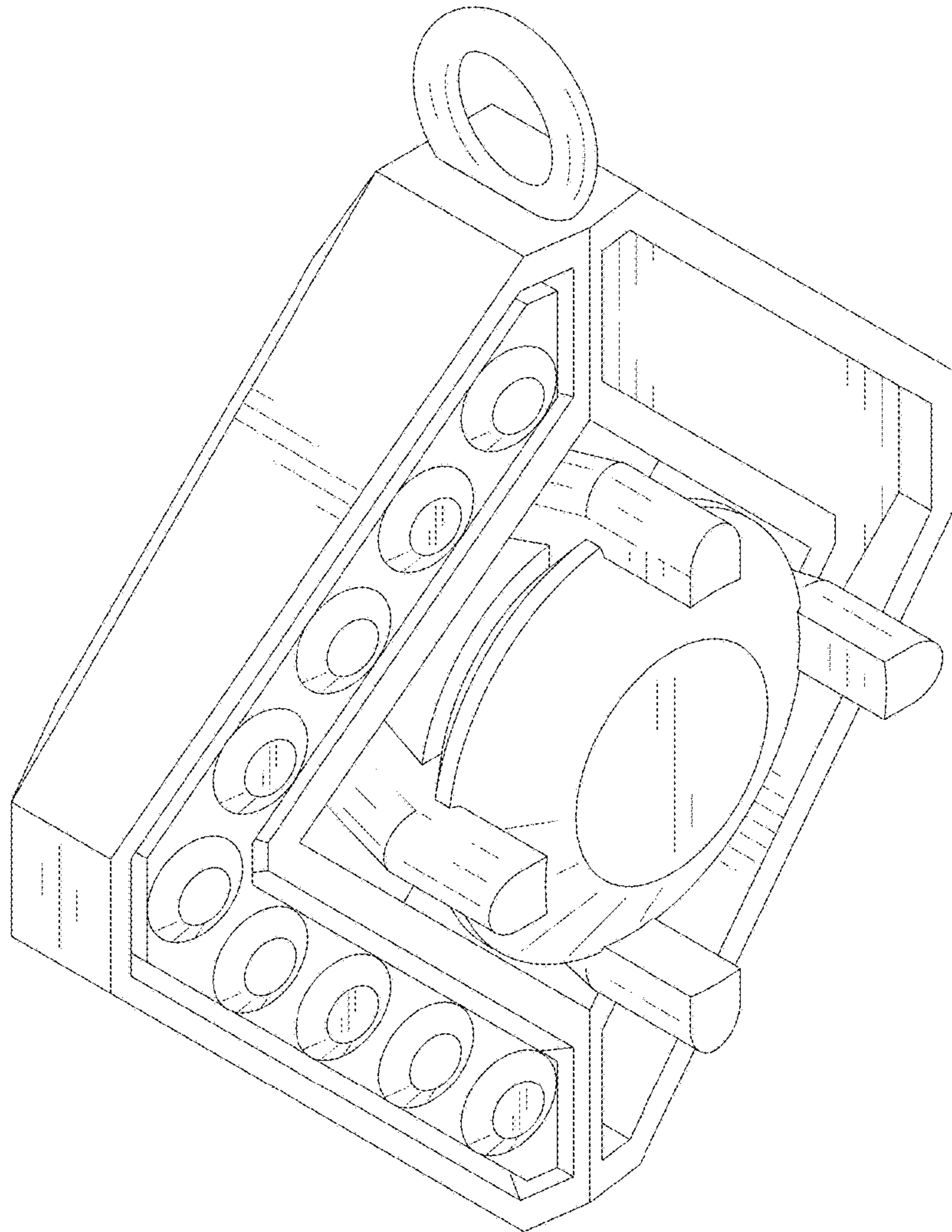


FIG. 1

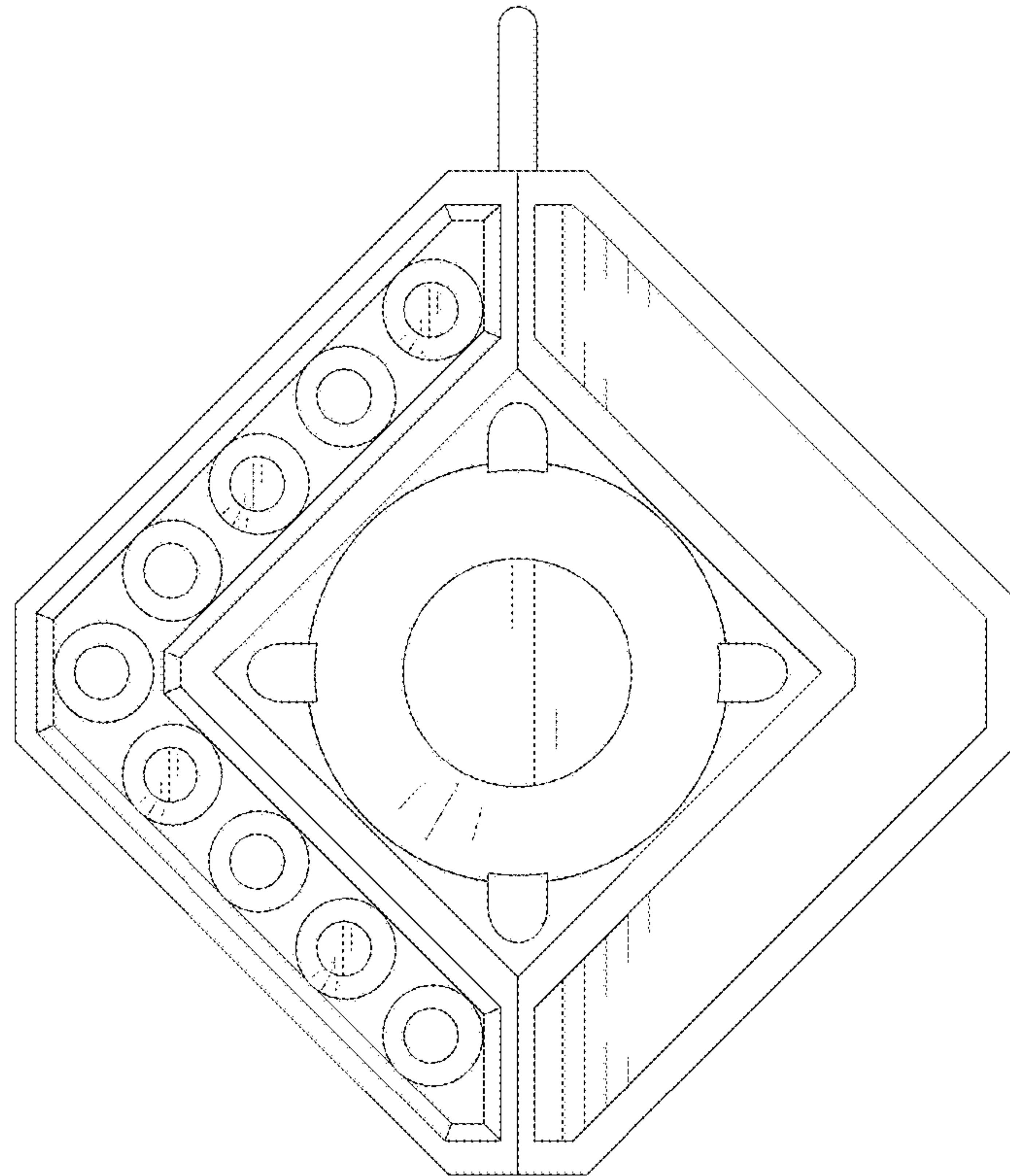


FIG. 2

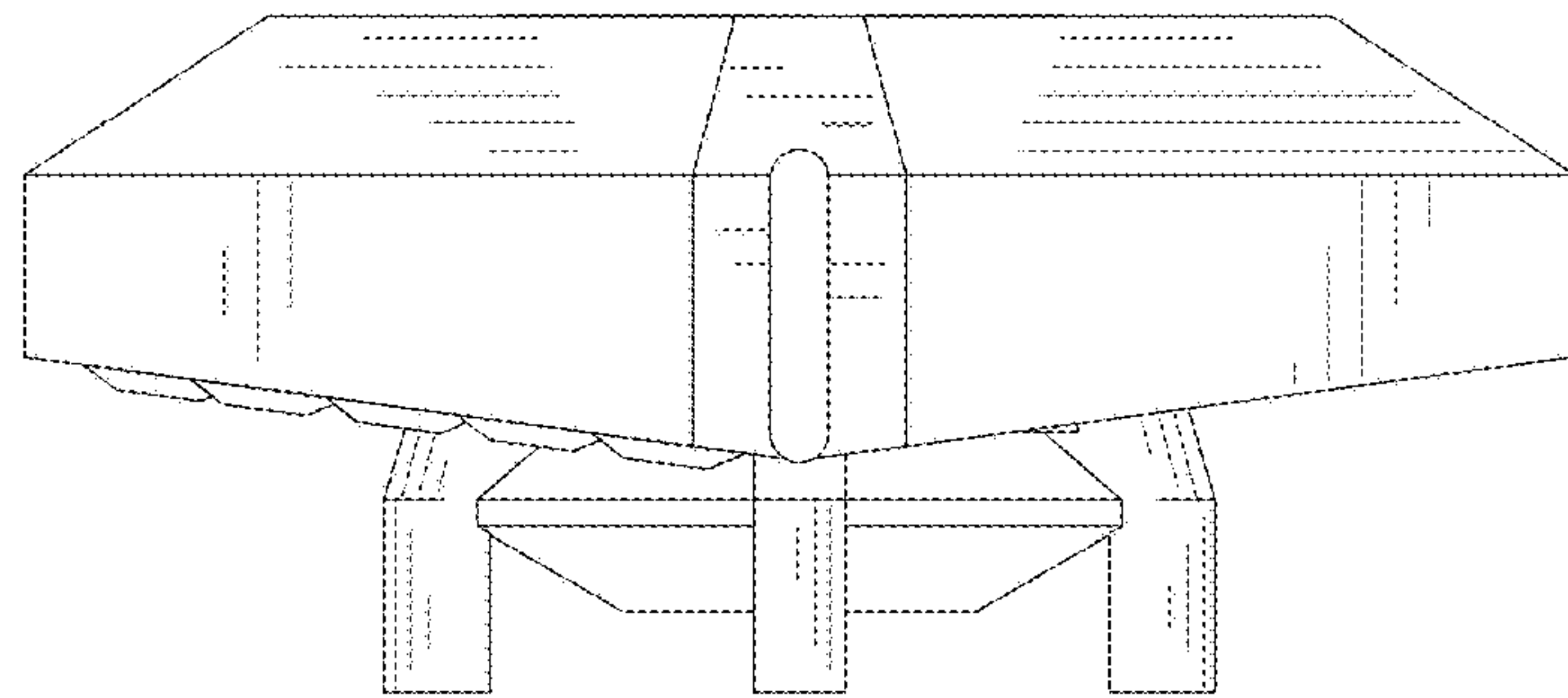


FIG. 3

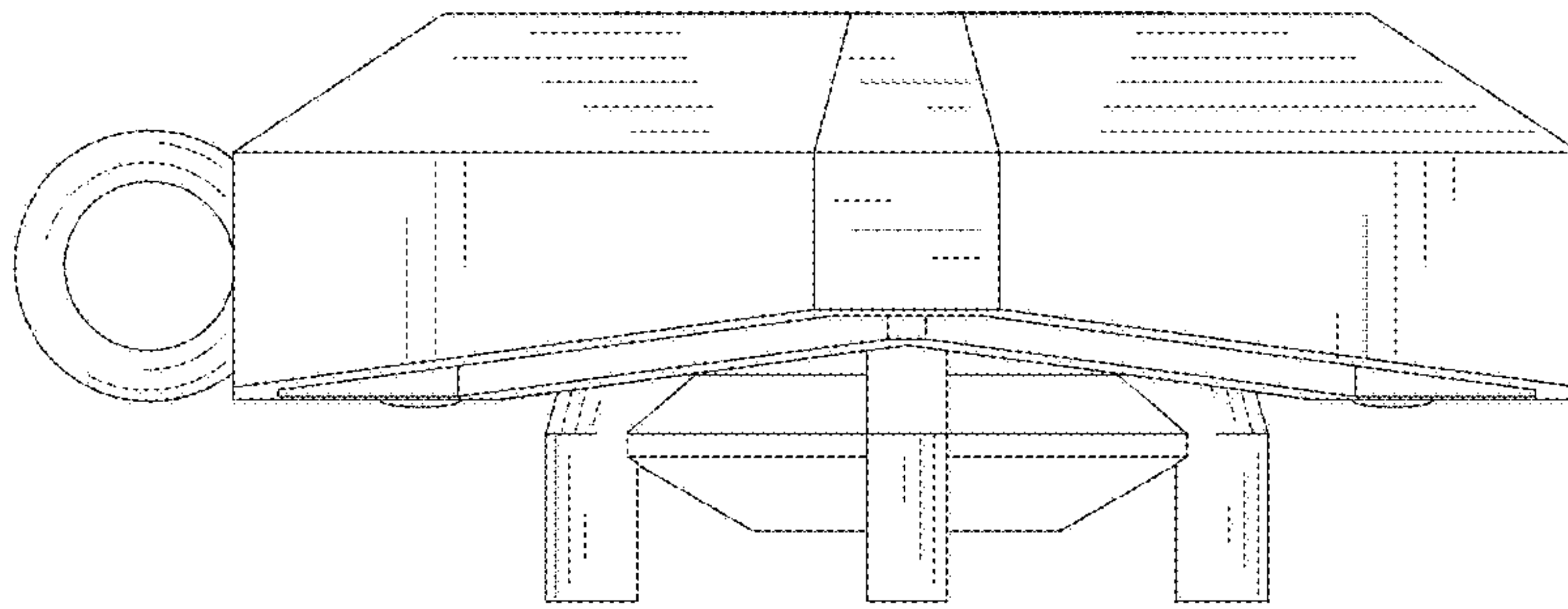


FIG. 5

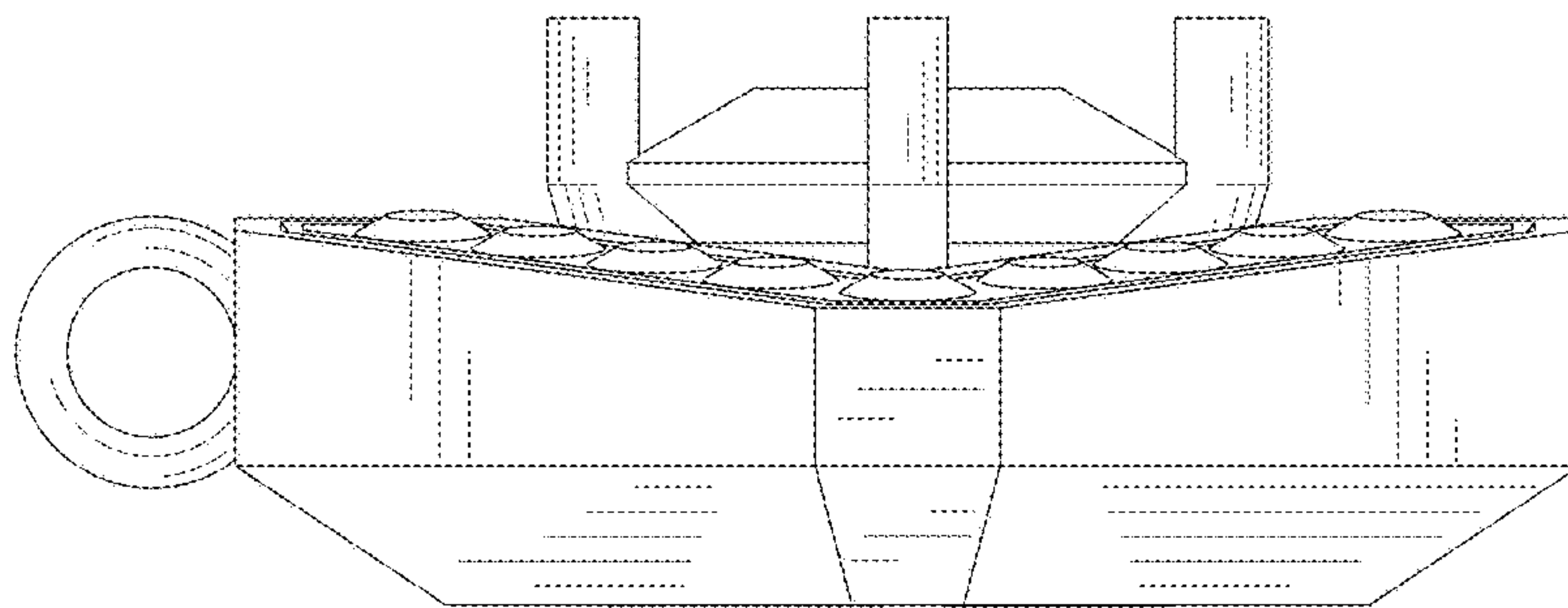


FIG. 4

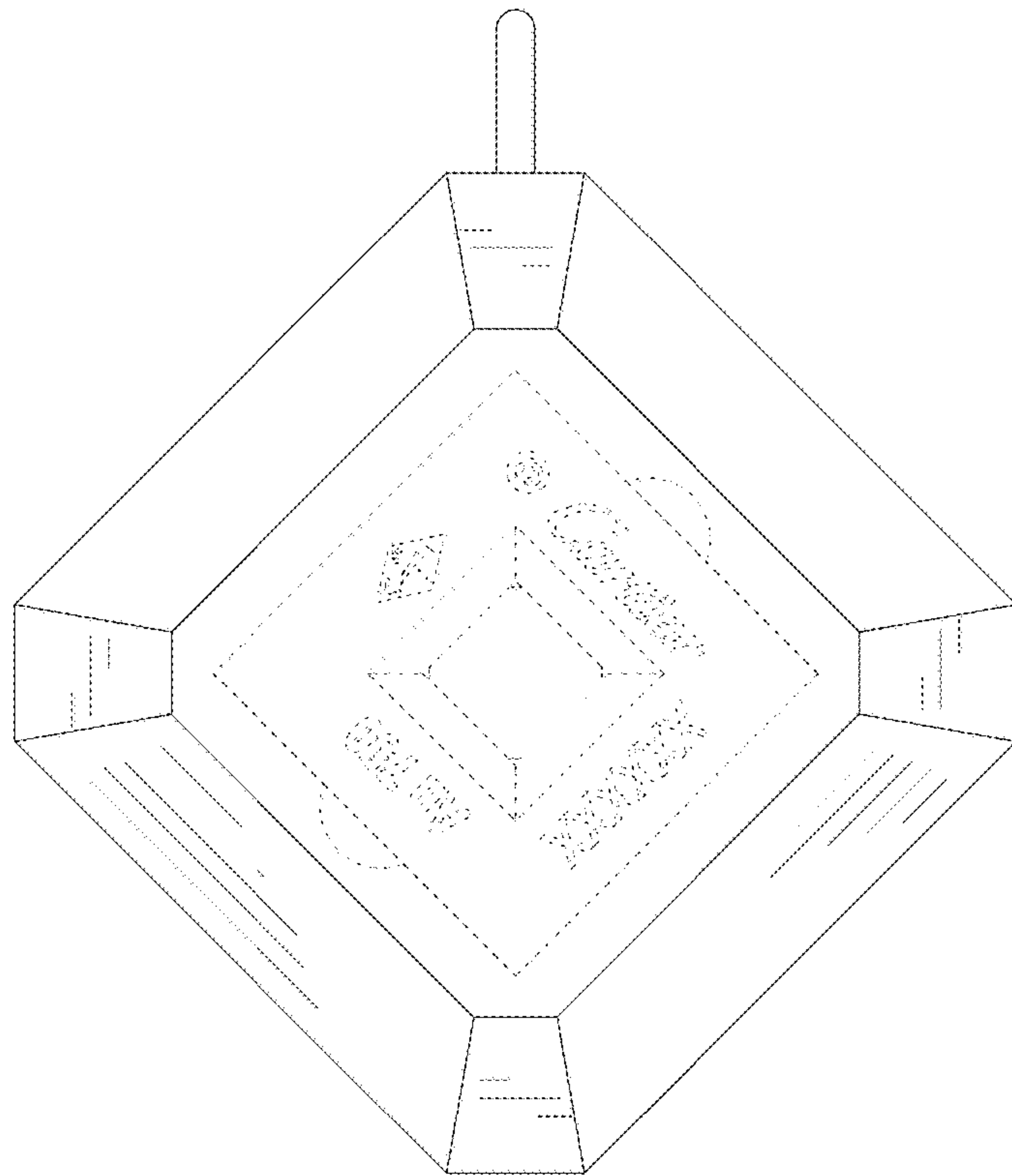


FIG. 6



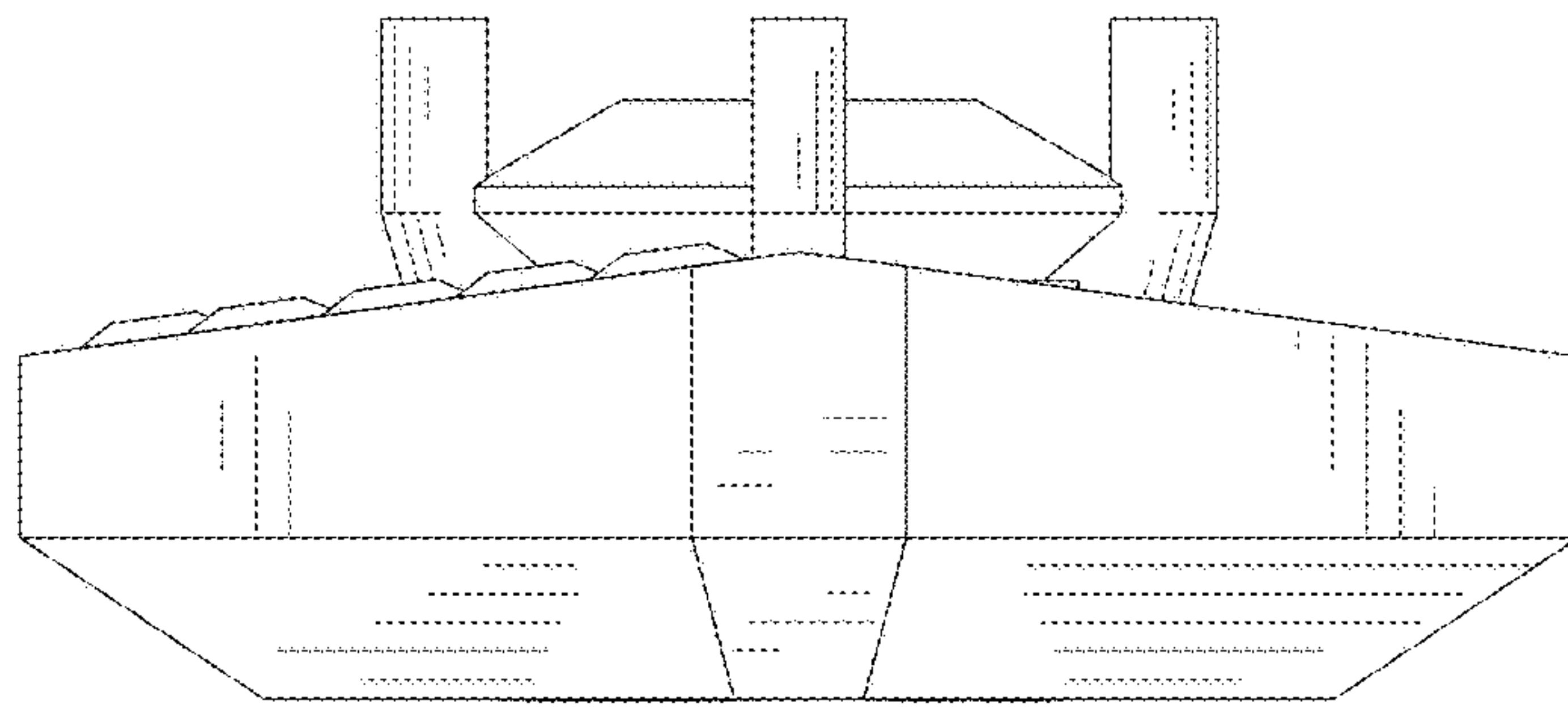


FIG. 7

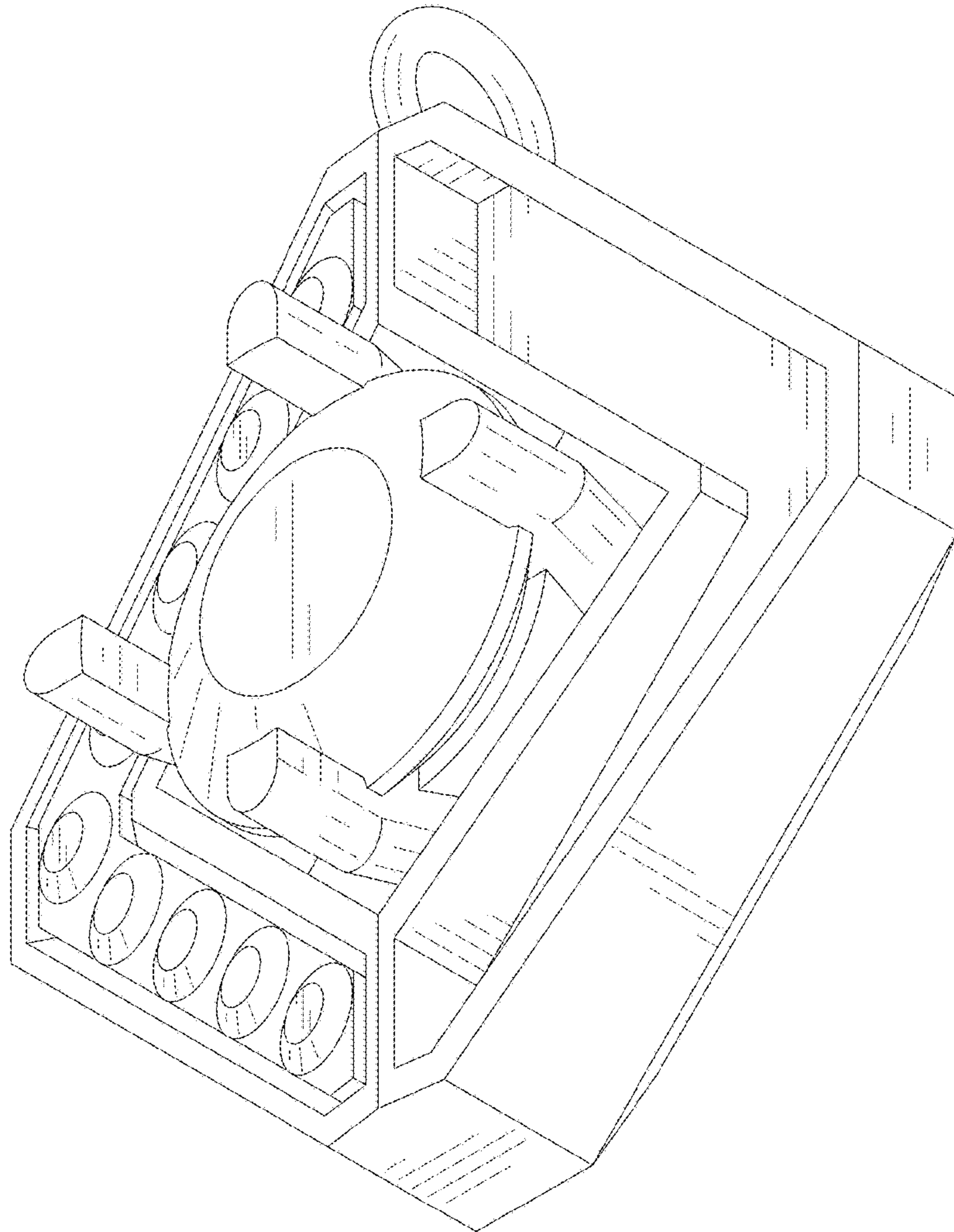


FIG. 8