

US00D846421S

(12) **United States Design Patent**  
**Le Bail**

(10) **Patent No.:** **US D846,421 S**

(45) **Date of Patent:** **\*\* Apr. 23, 2019**

(54) **RING**  
(71) Applicant: **CARTIER INTERNATIONAL AG,**  
Steinhausen (CH)  
(72) Inventor: **Wilfrid Le Bail,** Paris (FR)  
(73) Assignee: **CARTIER INTERNATIONAL AG,**  
Steinhausen (CH)  
(\*\*) Term: **15 Years**

4,043,145 A \* 8/1977 Chervin ..... A44C 9/00  
63/15  
D268,014 S \* 2/1983 Sears ..... D11/30  
D399,778 S \* 10/1998 Bulgari ..... D11/26  
D523,371 S \* 6/2006 Bulgari ..... D11/26  
D659,579 S \* 5/2012 Hill ..... D11/26  
D662,434 S \* 6/2012 Hill ..... D11/26  
D689,788 S \* 9/2013 Gruosi ..... D11/26  
D710,740 S \* 8/2014 Schmidt ..... D11/26  
D740,711 S \* 10/2015 Wempe ..... D11/26  
D740,712 S \* 10/2015 Wempe ..... D11/26  
D824,037 S \* 7/2018 Yueh ..... D24/215

(21) Appl. No.: **29/633,302**  
(22) Filed: **Jan. 12, 2018**  
(51) **LOC (11) Cl.** ..... **11-01**  
(52) **U.S. Cl.**  
USPC ..... **D11/26**  
(58) **Field of Classification Search**  
USPC ..... D11/1, 2, 3, 4, 7, 8, 26-39, 40, 41, 42,  
D11/43, 79, 93, 84, 86, 91, 92  
CPC ..... A44C 9/00; A44C 9/0007; A44C 9/0015;  
A44C 9/0023; A44C 9/003; A44C  
9/0038; A44C 9/0046; A44C 9/0053;  
A44C 9/0061; A44C 9/0069; A44C  
9/0076; A44C 9/0084; A44C 9/0092;  
A44C 9/02; A44C 25/00; A44C 25/001;  
A44C 25/002; A44C 25/007  
See application file for complete search history.

**OTHER PUBLICATIONS**

[Online] "Goldmaster de Cartier Ring" <https://www.cartier.com/en-us/collections/jewelry/collections/goldmaster-de-cartier/b4226200-goldmaster-de-cartier-ring.html>. Retrieved Jan. 4, 2019.\*

\* cited by examiner

*Primary Examiner* — Melanie Pellegrini  
(74) *Attorney, Agent, or Firm* — Oliff PLC

(57) **CLAIM**

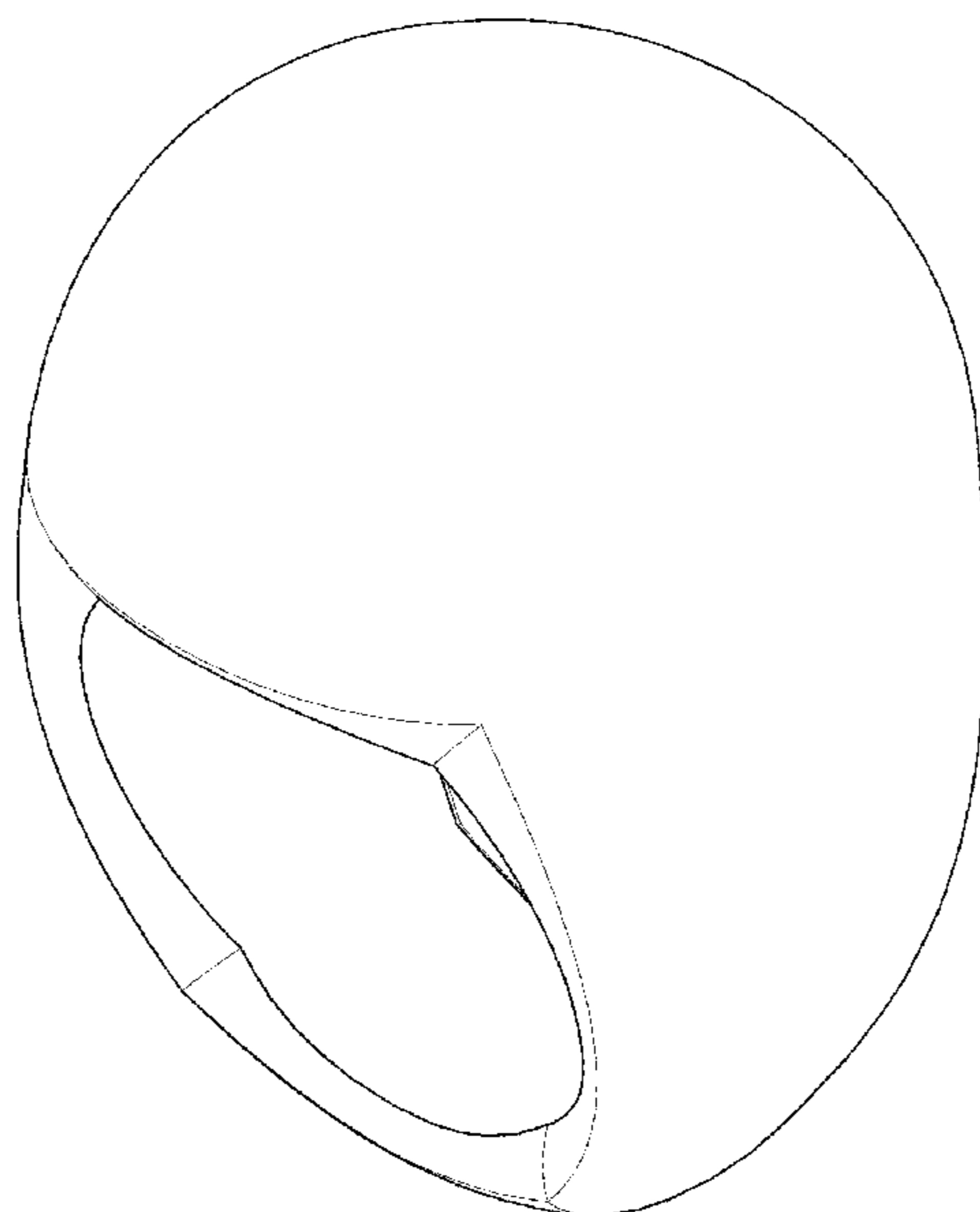
The ornamental design for a ring, as shown and described.

**DESCRIPTION**

FIG. 1 is a top plan view of a ring;  
FIG. 2 is a bottom plan view thereof;  
FIG. 3 is a front elevational view thereof;  
FIG. 4 is a rear elevational view thereof;  
FIG. 5 is a left-side elevational view thereof;  
FIG. 6 is a right-side elevational view thereof; and,  
FIG. 7 is a front, left-side, top perspective view thereof.

(56) **References Cited**  
U.S. PATENT DOCUMENTS  
D99,982 S \* 6/1936 Arpels ..... D11/26  
D143,590 S \* 1/1946 Grun ..... D11/26  
D168,769 S \* 2/1953 Steiner ..... D11/29

**1 Claim, 7 Drawing Sheets**



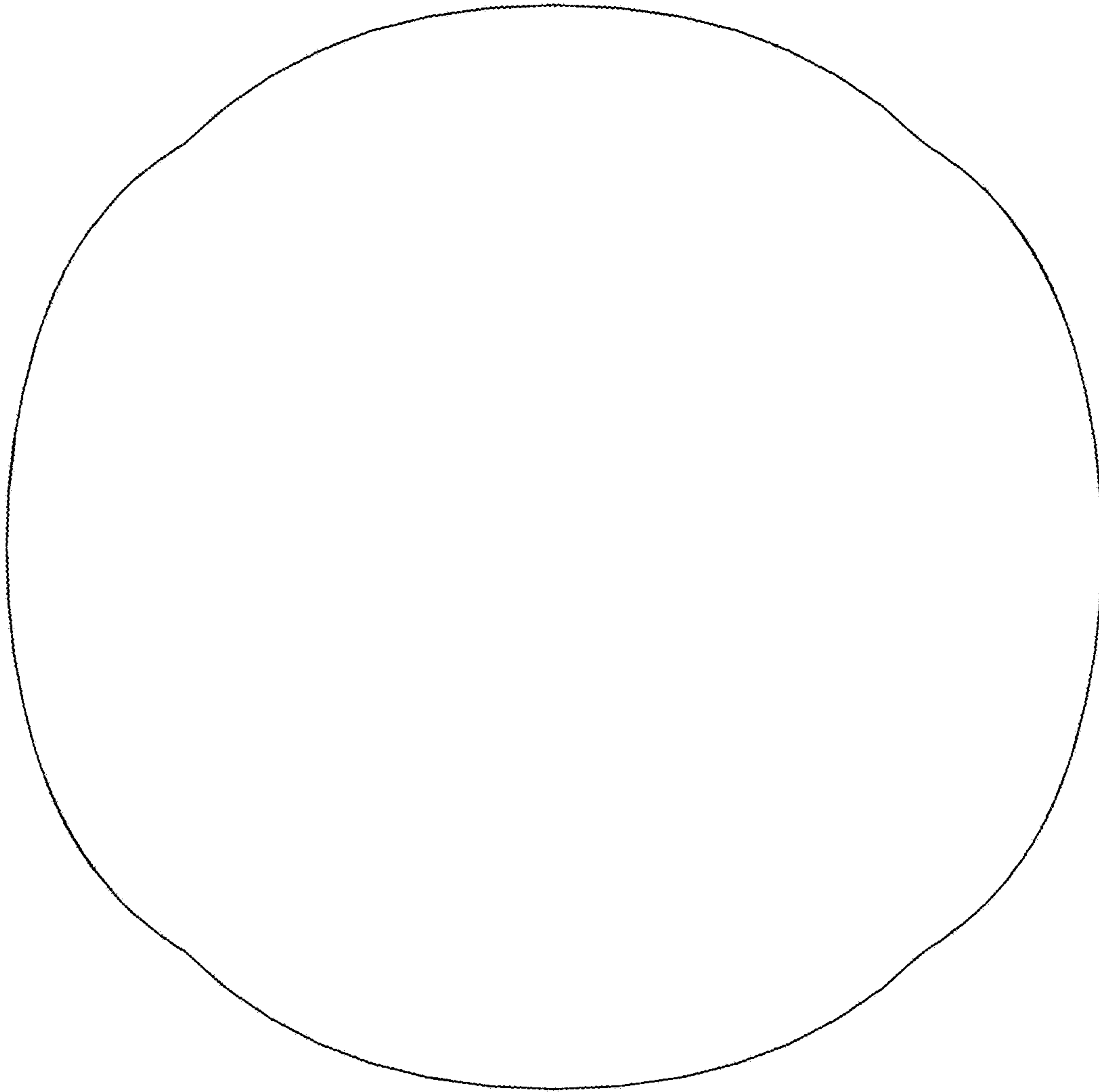


FIG. 1

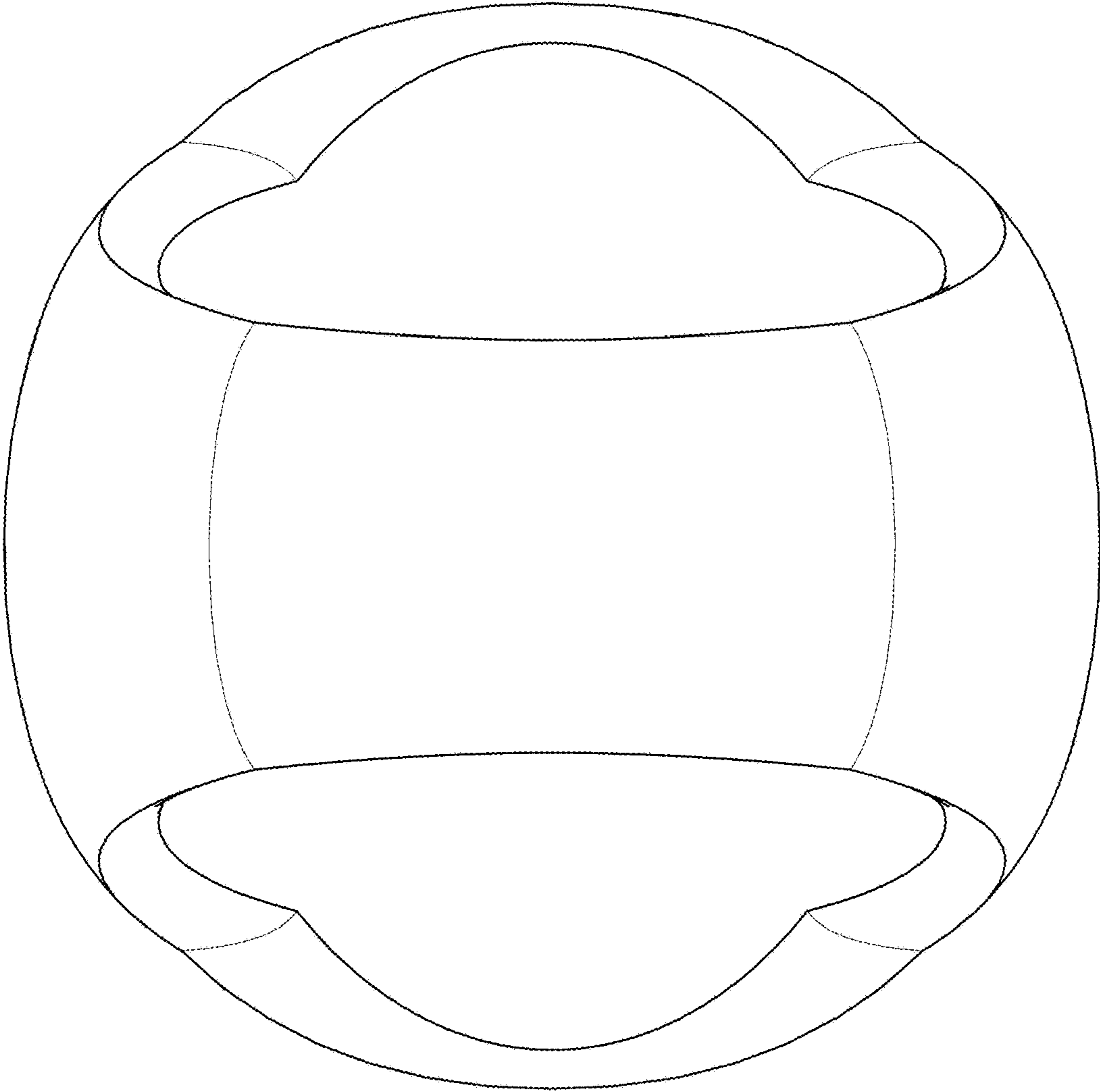


FIG. 2

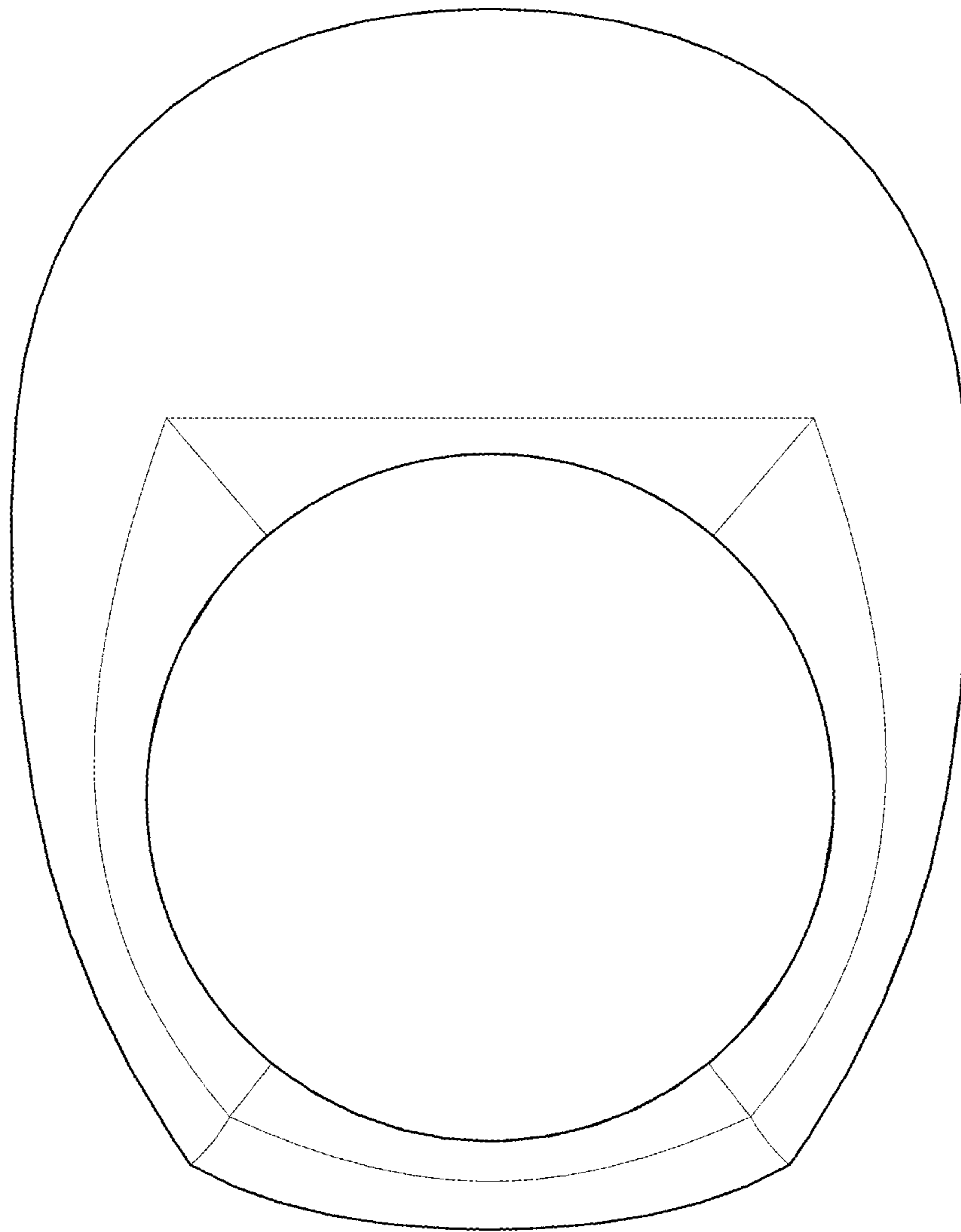


FIG. 3

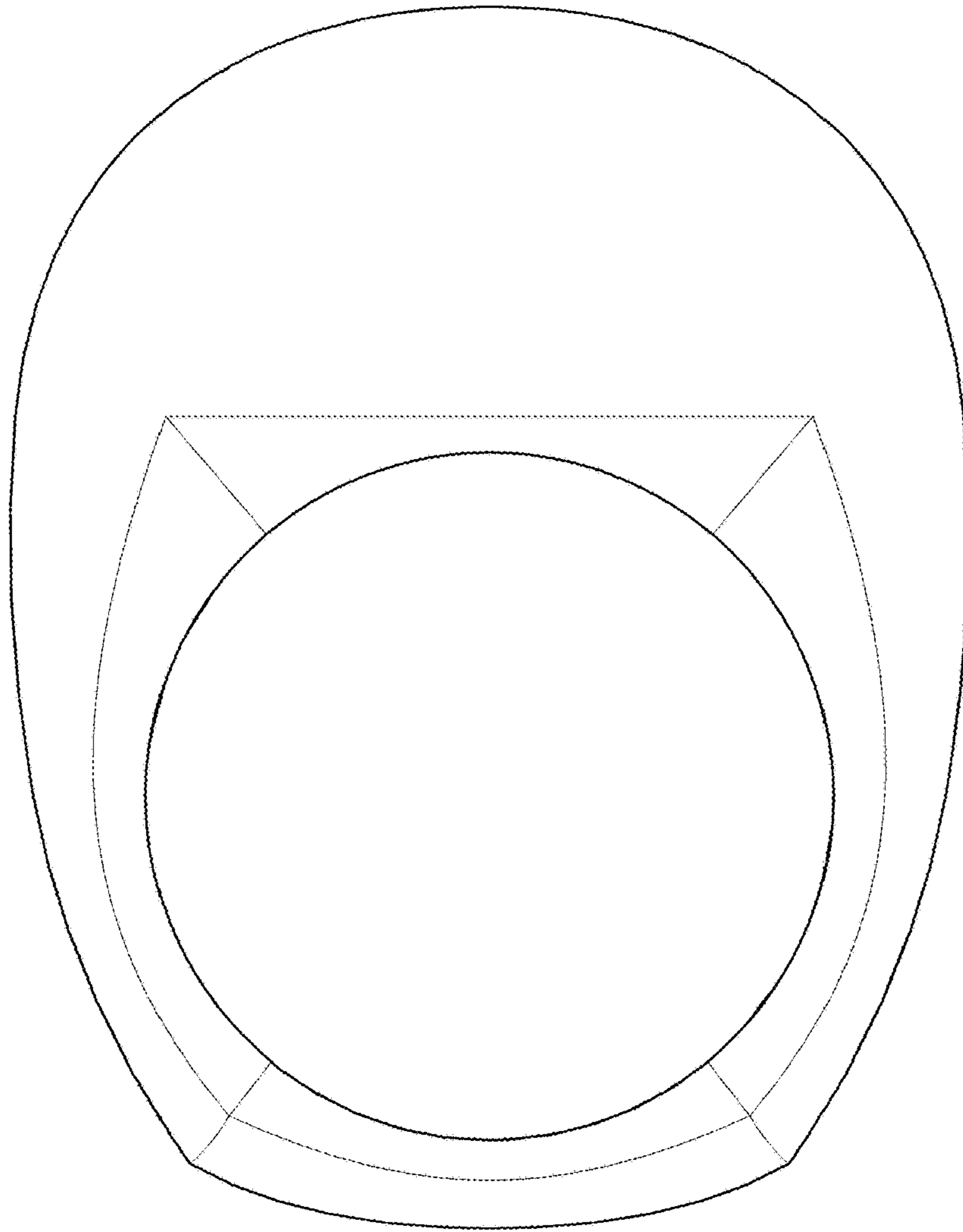


FIG. 4

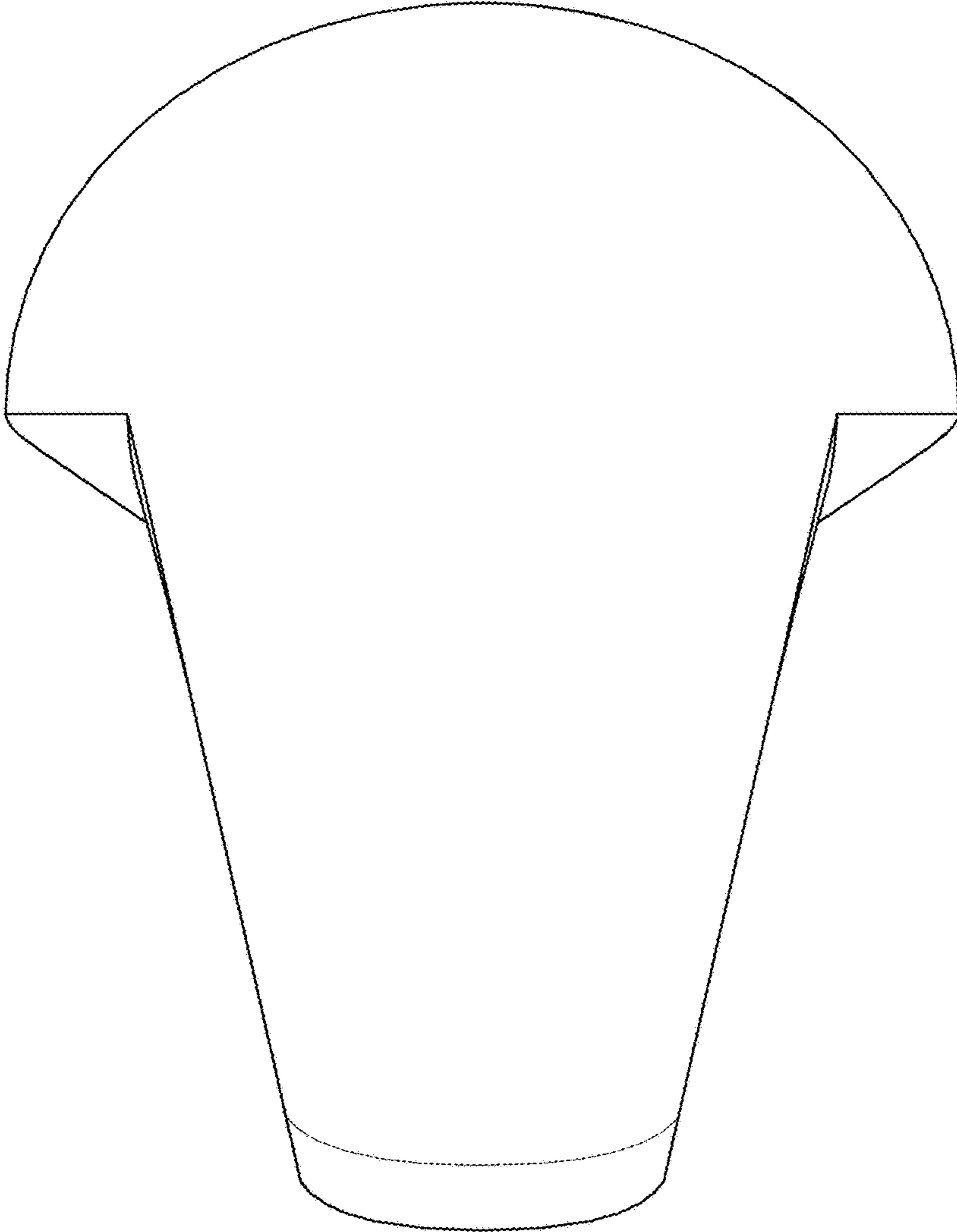


FIG. 5

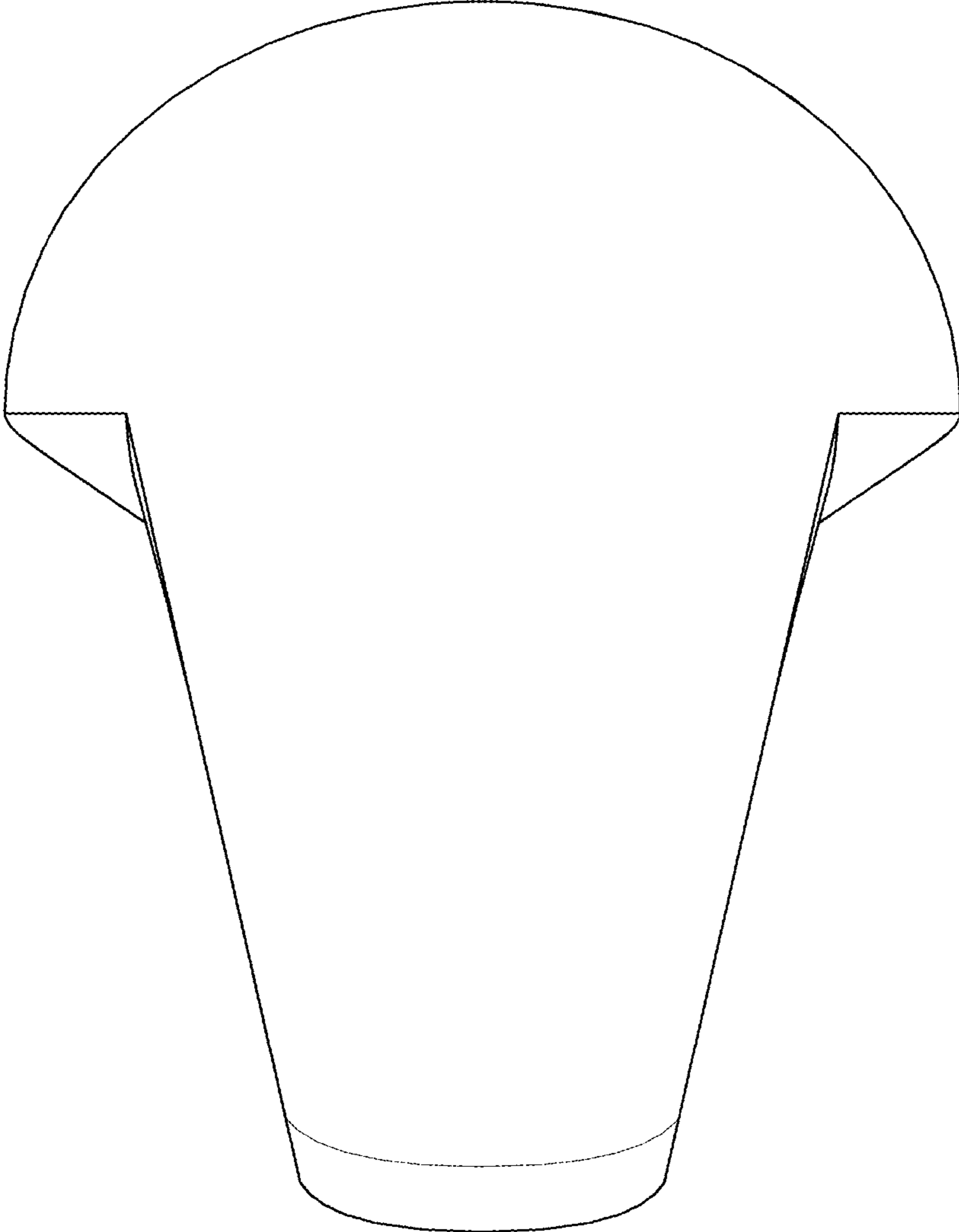


FIG. 6

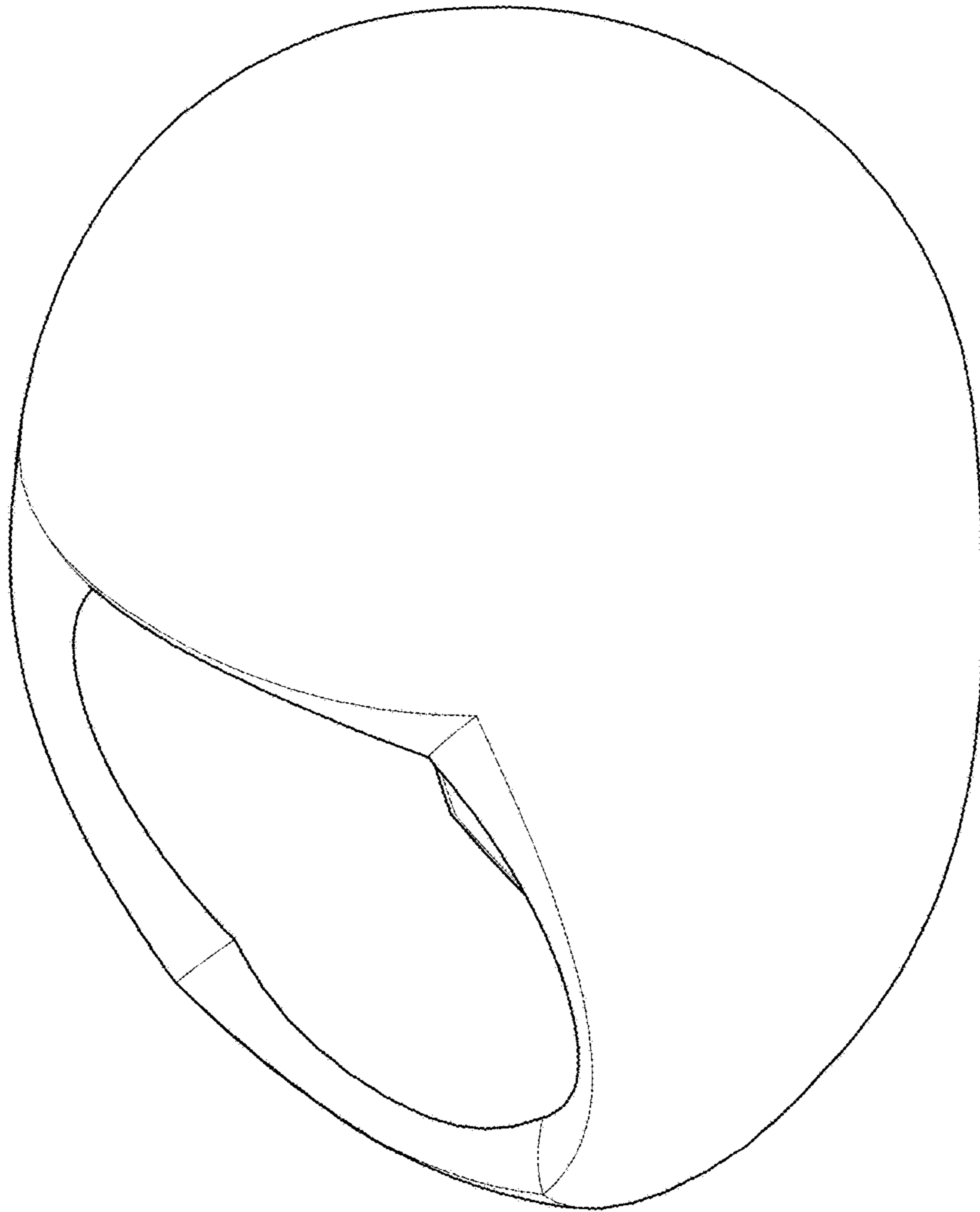


FIG. 7