



US00D846417S

(12) **United States Design Patent**
Henssler et al.

(10) **Patent No.:** **US D846,417 S**
(45) **Date of Patent:** **** Apr. 23, 2019**

(54) **COLORIMETER**
(71) Applicant: **BYK-Gardner GmbH**, Geretsried (DE)
(72) Inventors: **Heinrich Henssler**, Schwabisch Gmund (DE); **Martin Schultheiss**, Schwabisch Gmund (DE); **Karin Patricia Anger-Marx**, Steinheim (DE)
(73) Assignee: **BYK-GARDNER GMBH**, Geretsried (DE)
(**) Term: **15 Years**

5,083,868 A * 1/1992 Anderson G01N 21/251
356/402
5,168,320 A * 12/1992 Lutz G01J 3/02
356/402
D336,444 S * 6/1993 Anderson D10/81
D363,886 S * 11/1995 Colani D10/46
5,754,283 A * 5/1998 Keane G01J 3/02
356/402
D403,259 S * 12/1998 Tsubota D10/81
D421,401 S * 3/2000 Schwarz D10/78
6,583,880 B2 * 6/2003 Berstis G01J 3/10
356/402
D489,013 S * 4/2004 Brown D10/78
6,836,332 B2 * 12/2004 Mosley G01N 21/3151
356/436

(21) Appl. No.: **29/628,593**

(Continued)

(22) Filed: **Dec. 6, 2017**

OTHER PUBLICATIONS

(30) **Foreign Application Priority Data**

U.S. Appl. No. 29/628,482, filed Dec. 5, 2017.
U.S. Appl. No. 29/628,531, filed Dec. 5, 2017.

Jul. 12, 2017 (EM) 004100220-0001
Jul. 12, 2017 (EM) 004100220-0002

Primary Examiner — Antoine Duval Davis
(74) *Attorney, Agent, or Firm* — Stoel Rives LLP

(51) **LOC (11) Cl.** **10-04**

(52) **U.S. Cl.**
USPC **D10/81; D10/78**

(57) **CLAIM**

(58) **Field of Classification Search**
USPC D10/78, 81
CPC G01J 3/30; G01J 3/0272; G01J 3/0291;
G01J 3/501; G01J 3/504; G01J 3/02;
G01J 3/0208; G01J 3/0286; G01J 3/524;
G01J 3/50; G01J 3/0289; G01J 3/0243;
G01J 3/28-3/40; G01J 3/46-3/513; G01J
3/52-3/528; G01J 2003/516; G01N
21/255; G01N 21/474; G01N 21/57;
G01N 2021/4735; G01N 2021/4783;
G01N 2201/0221

The ornamental design for a colorimeter, as shown and described.

See application file for complete search history.

DESCRIPTION

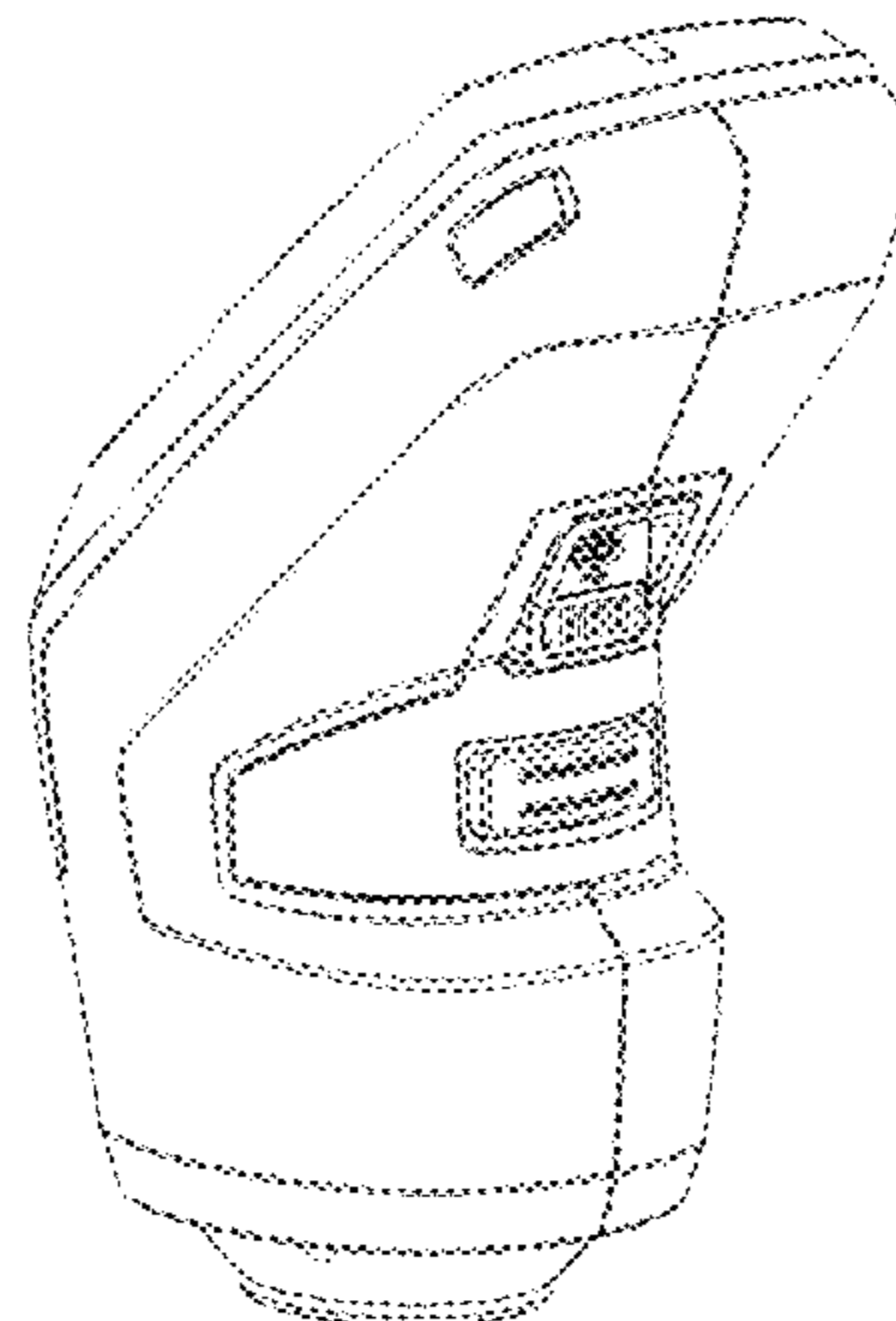
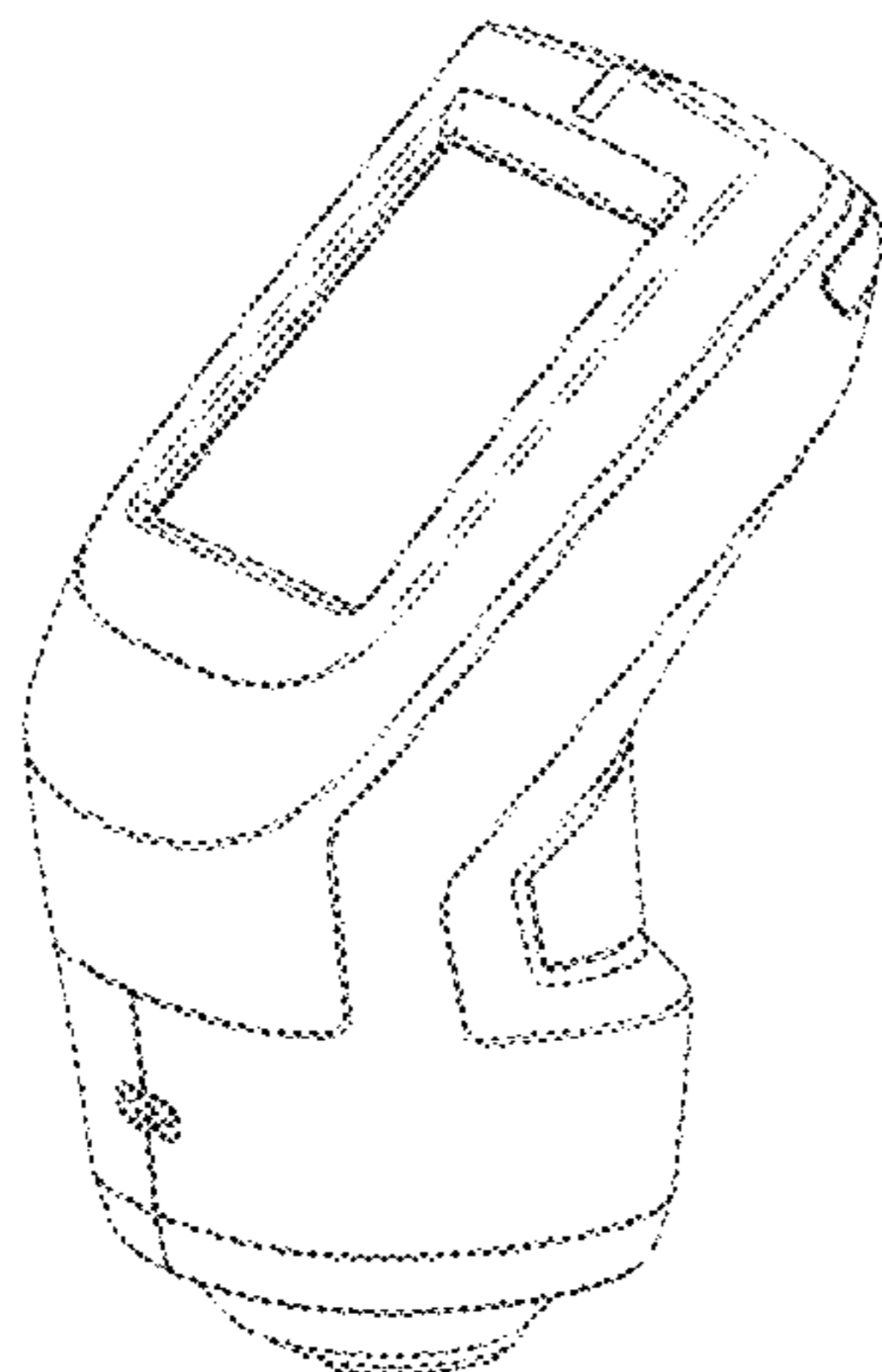
(56) **References Cited**

FIG. 1 is a front, left, and top perspective view of a colorimeter
FIG. 2 is a front, right, and top perspective view thereof.
FIG. 3 is a back, right, and top perspective view thereof.
FIG. 4 is a back, left, and top perspective view thereof.
FIG. 5 is a front view thereof.
FIG. 6 is a back view thereof.
FIG. 7 is a right side view thereof.
FIG. 8 is a left side view thereof.
FIG. 9 is a top view thereof; and,
FIG. 10 is a bottom view thereof.

U.S. PATENT DOCUMENTS

D318,245 S * 7/1991 Sierra D10/81
D321,488 S * 11/1991 Sierra D10/81

1 Claim, 10 Drawing Sheets



(56)

References Cited

U.S. PATENT DOCUMENTS

D522,893 S * 6/2006 Finney D10/78
D551,579 S * 9/2007 Kano D10/81
7,322,527 B2 * 1/2008 Baker G01J 3/02
235/454
7,808,639 B2 * 10/2010 Overbeck G01J 1/4228
356/402
9,364,071 B2 * 6/2016 Jung A45D 44/005
9,772,230 B2 * 9/2017 Ehbets G01J 3/50
10,094,783 B2 * 10/2018 Williams G01N 21/763

* cited by examiner

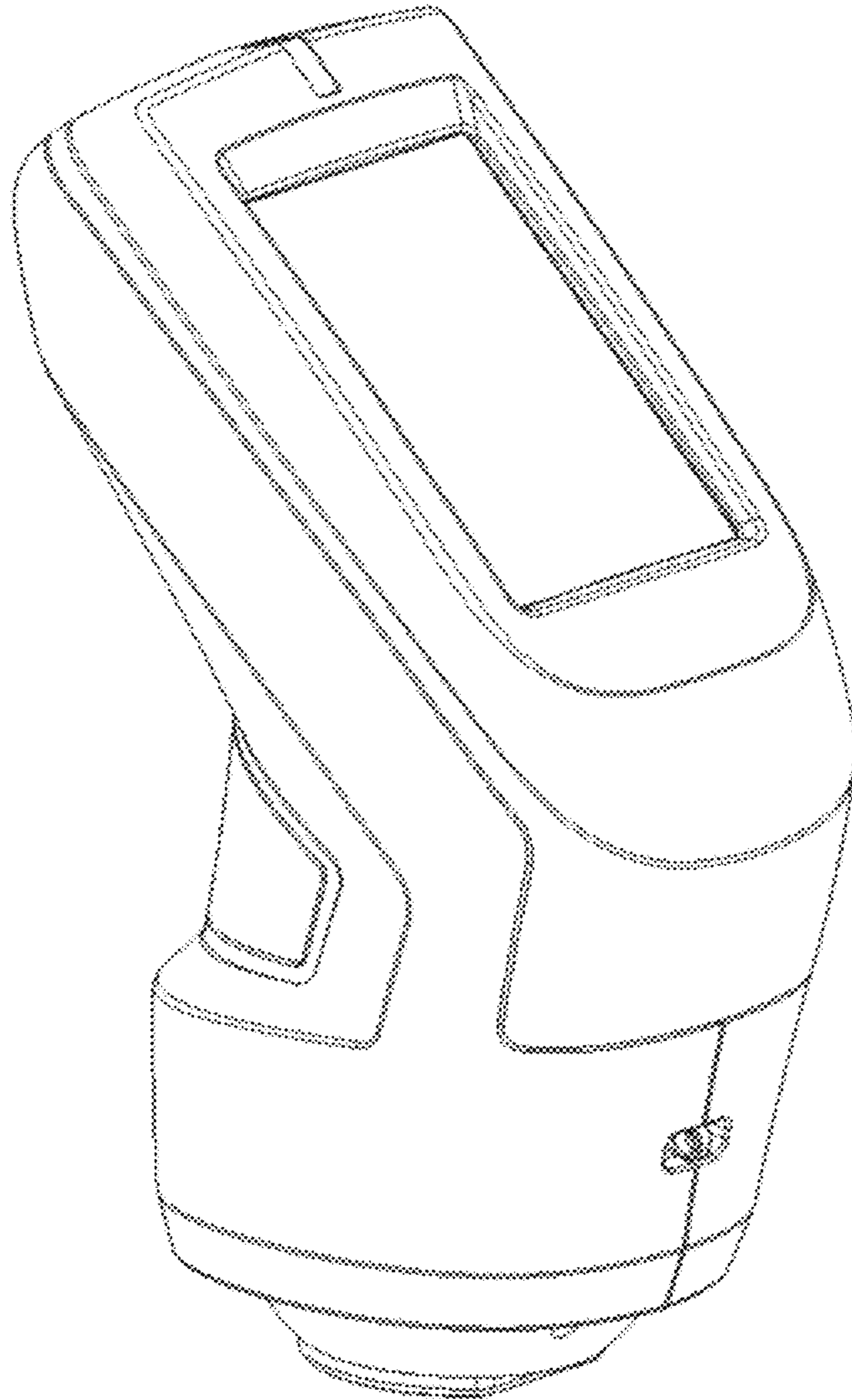


FIG. 1

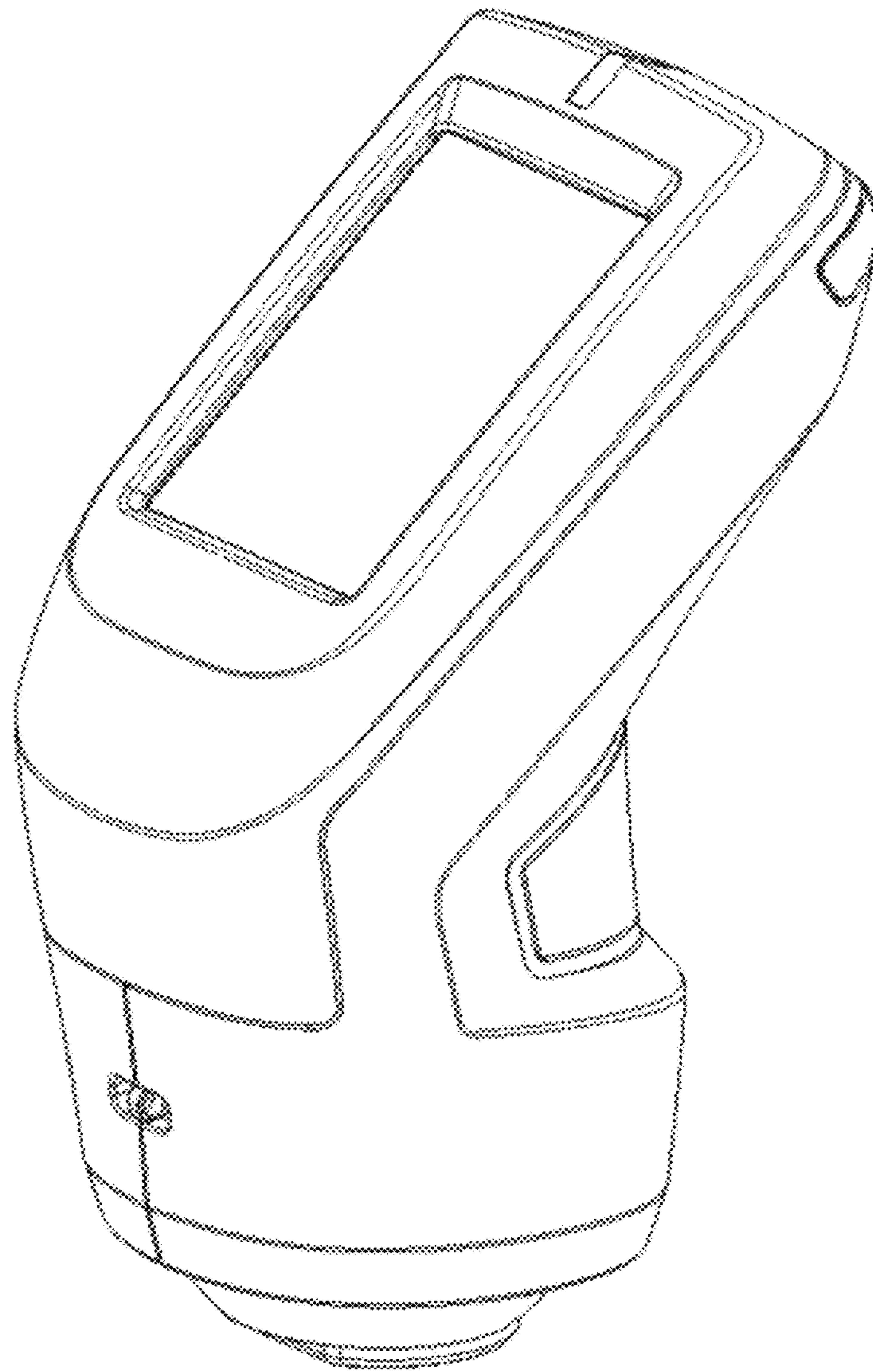


FIG. 2

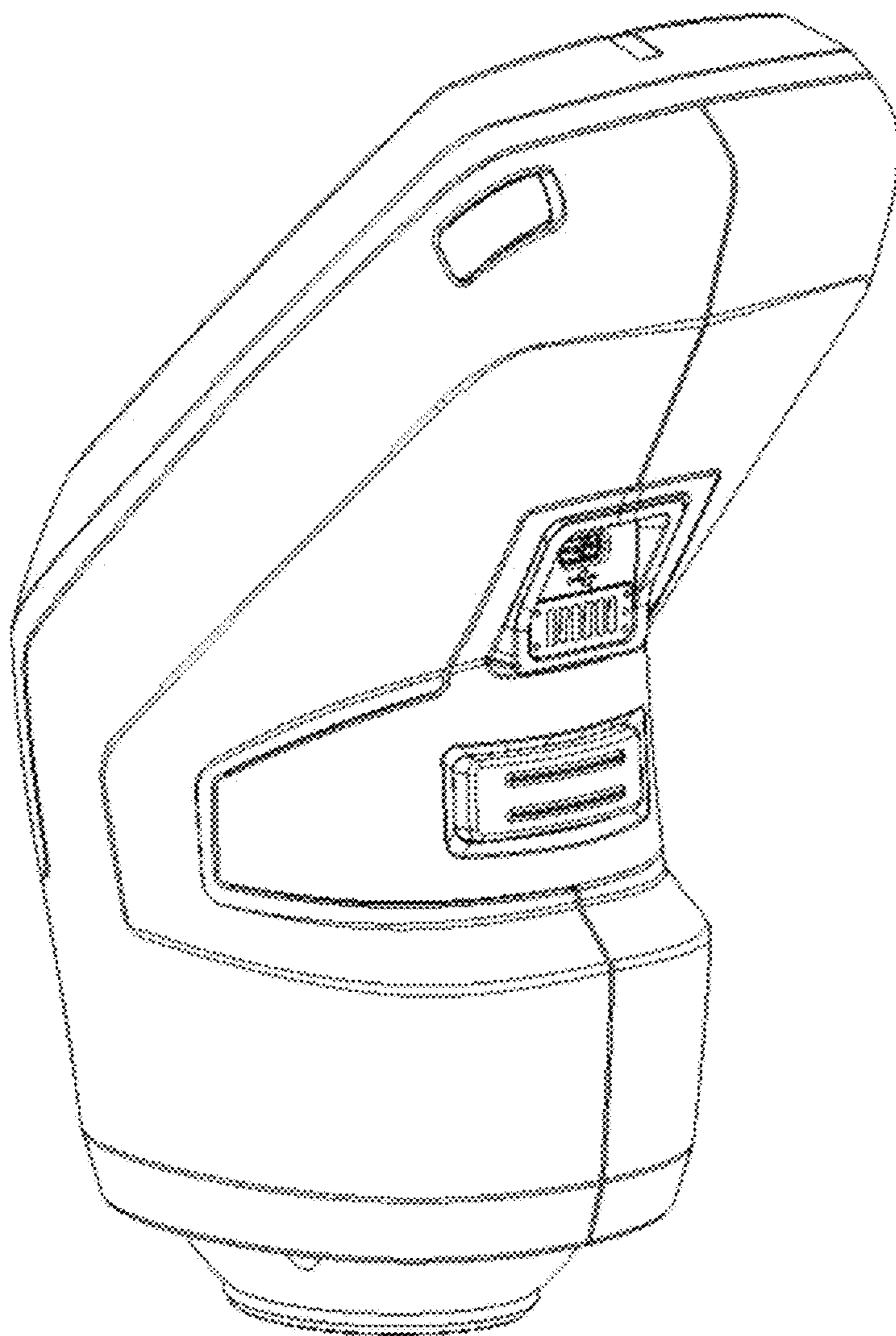


FIG. 3

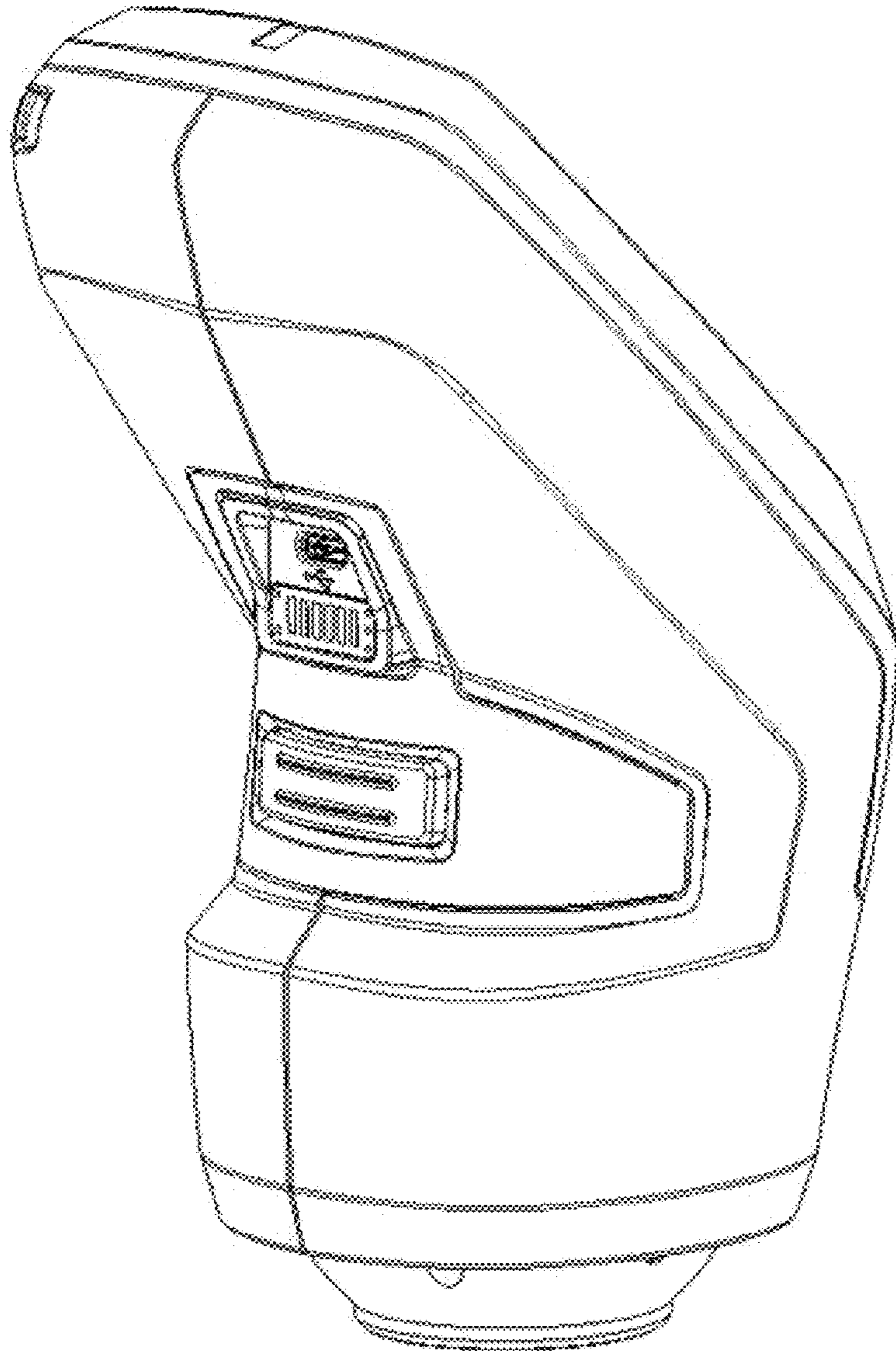


FIG. 4

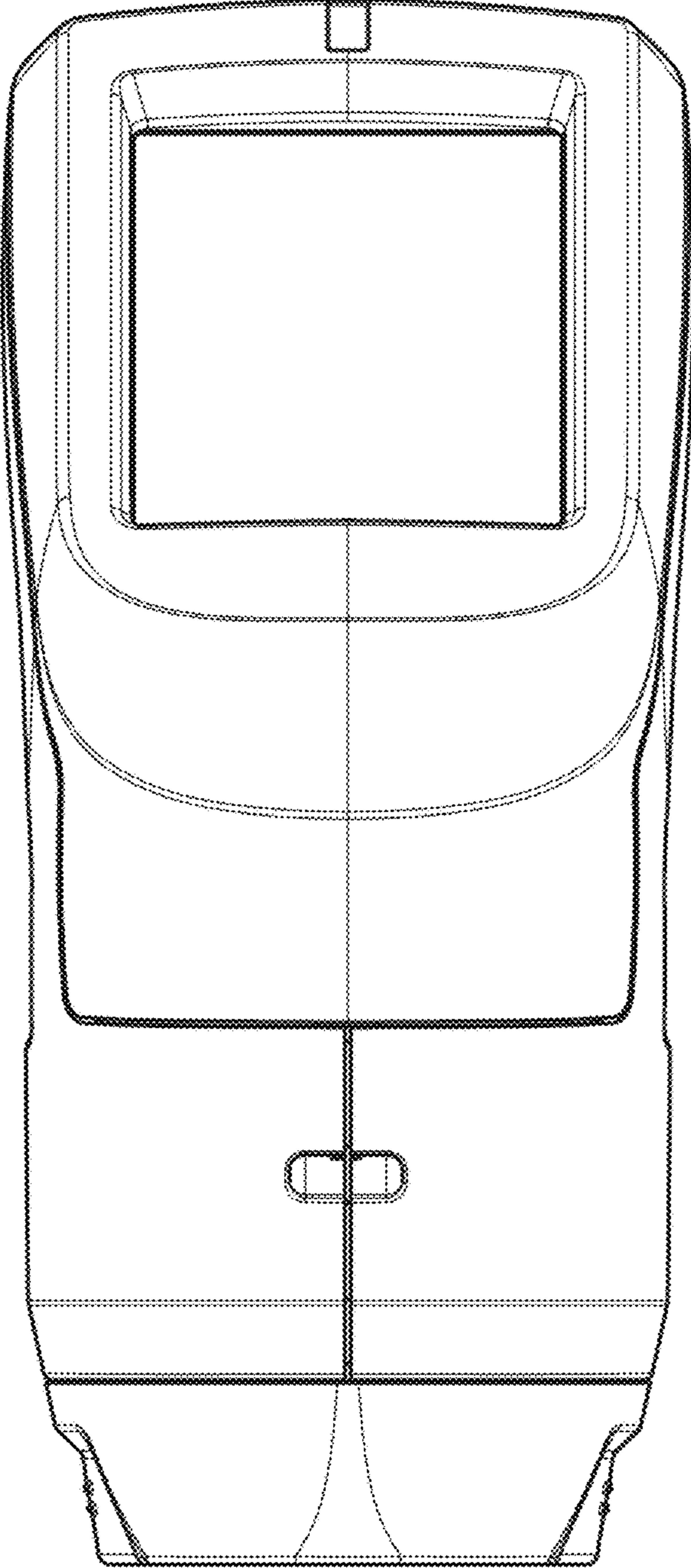


FIG. 5

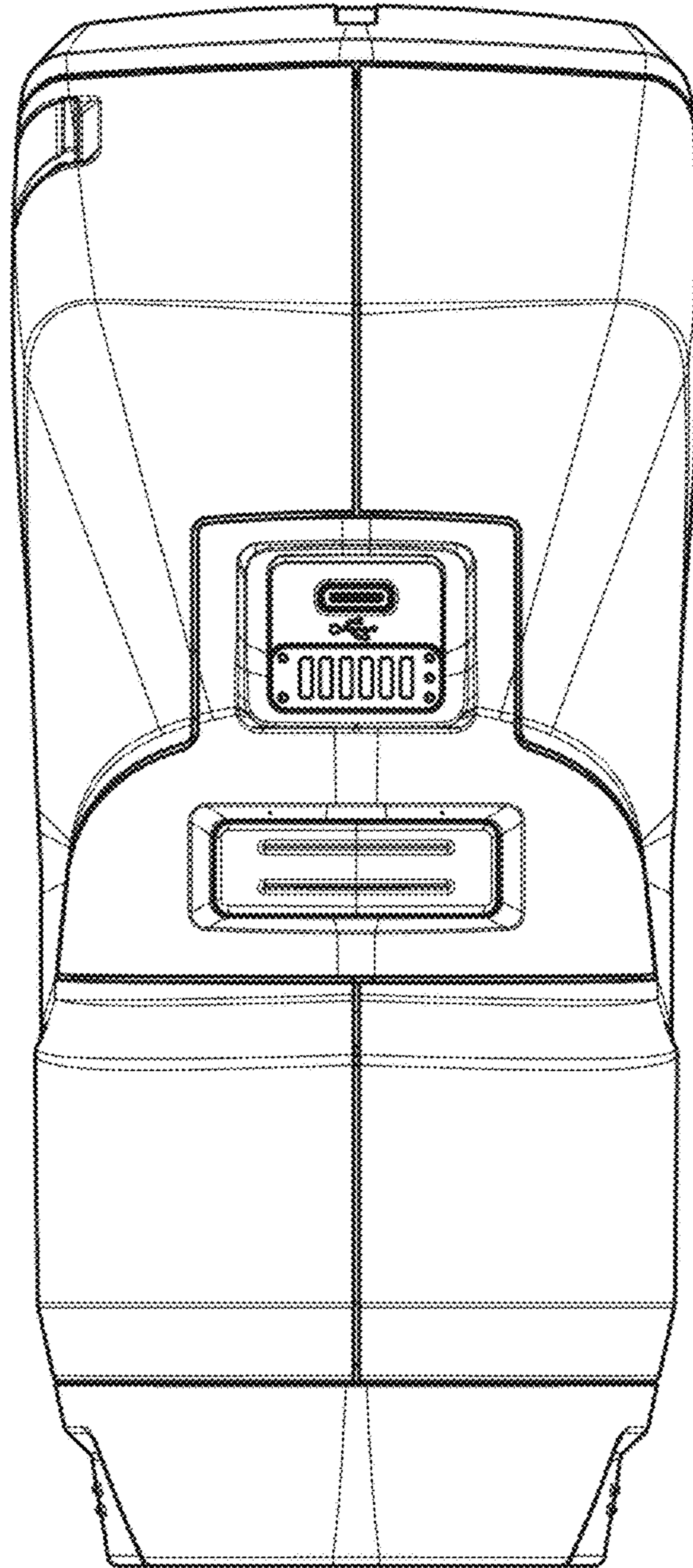


FIG. 6

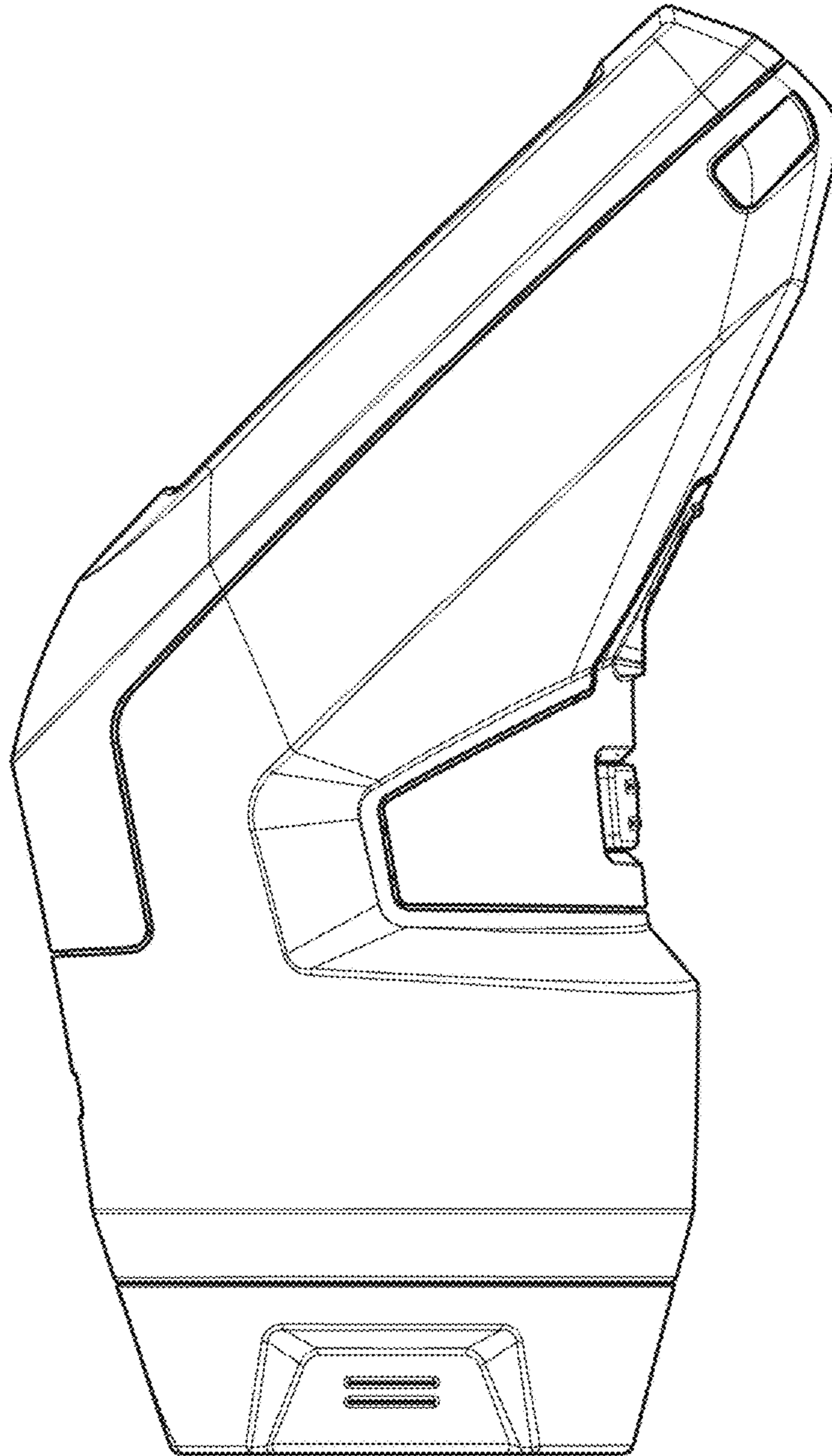


FIG. 7

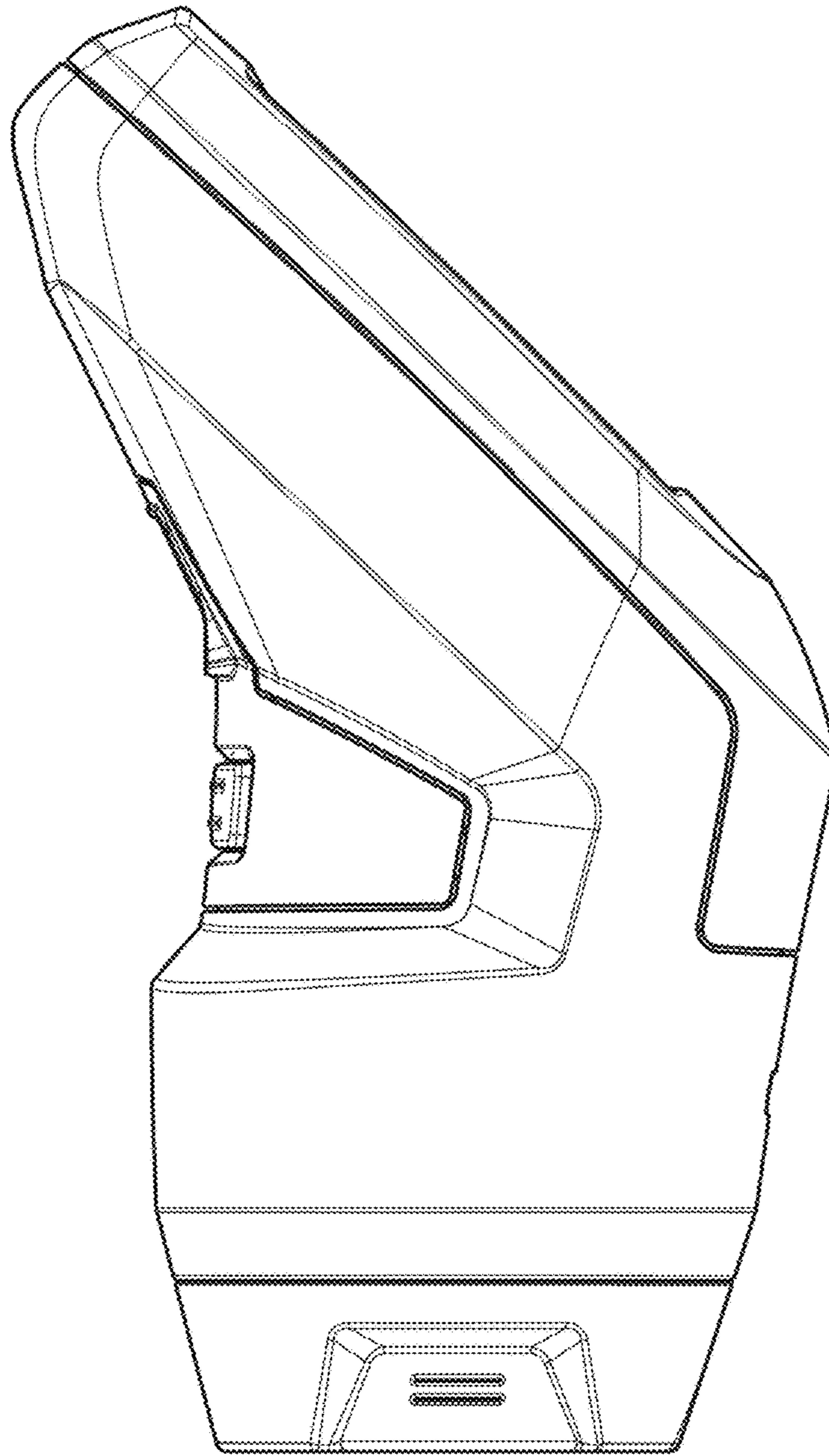


FIG. 8

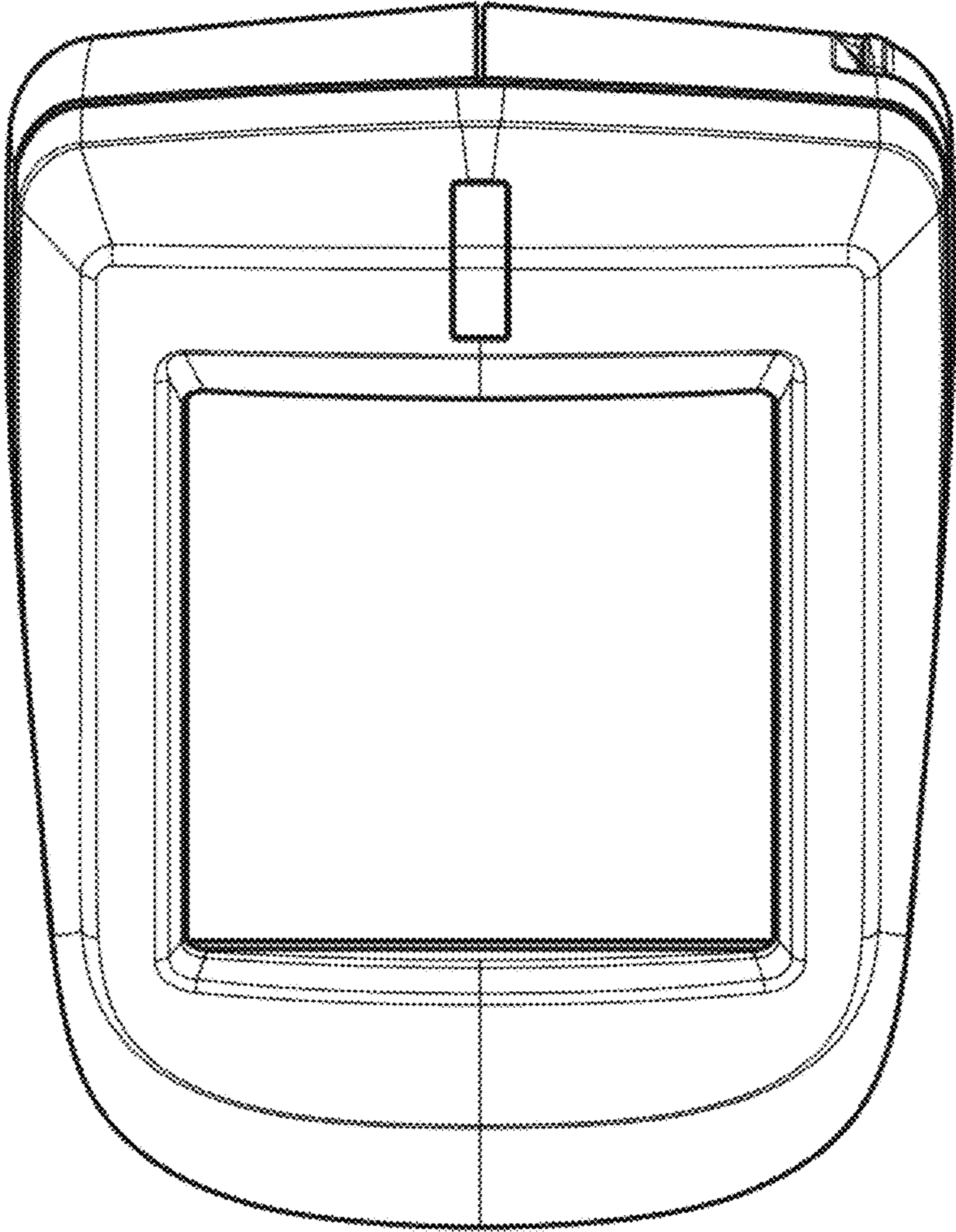


FIG. 9

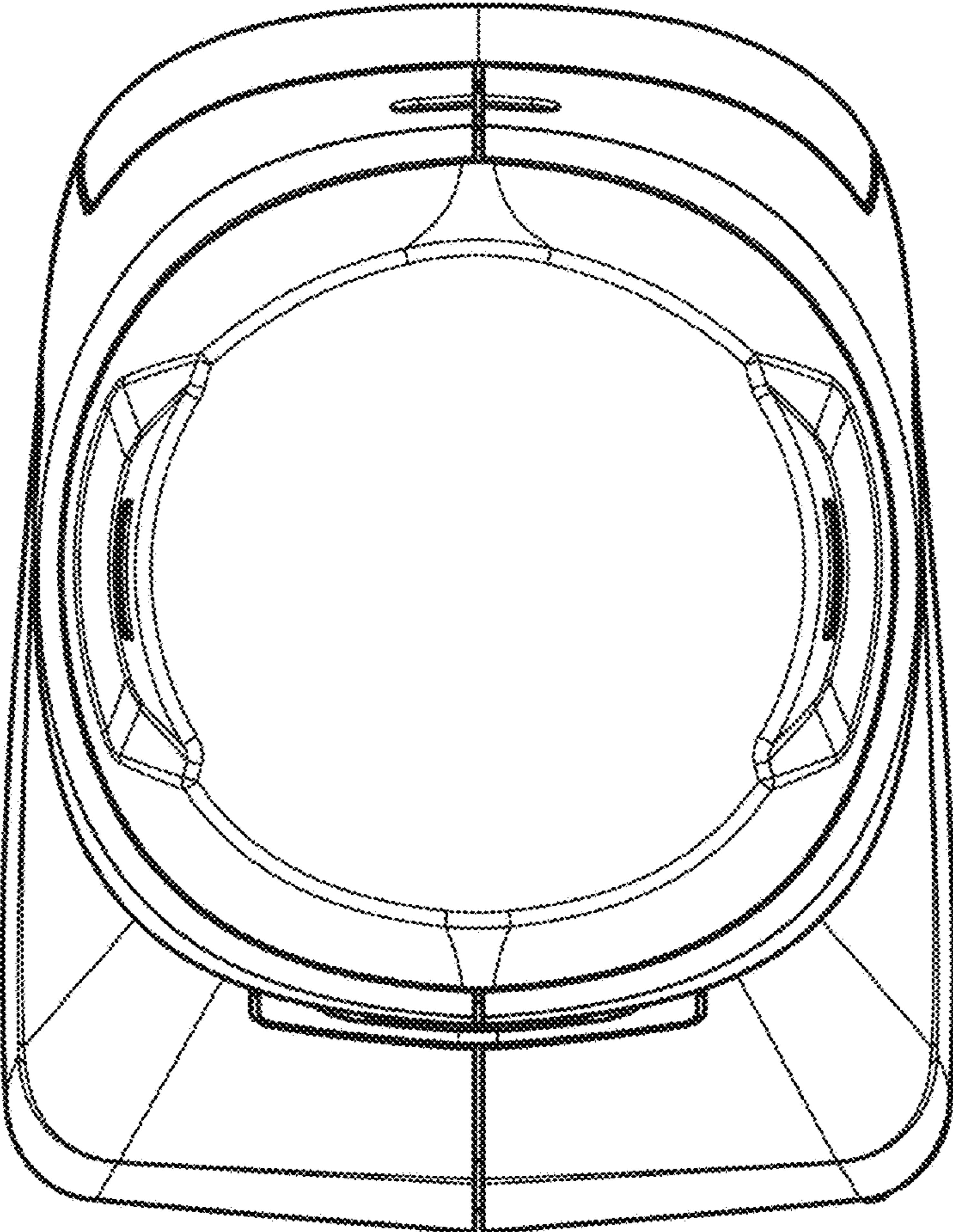


FIG. 10