

US00D846412S

(12) **United States Design Patent**
Hong

(10) **Patent No.:** **US D846,412 S**

(45) **Date of Patent:** **** Apr. 23, 2019**

(54) **SPIRIT LEVEL**

(71) Applicant: **Zhejiang MGS Level Industry Co., Ltd.**, Jinhua, Zhejiang (CN)

(72) Inventor: **Qi Hong**, Zhejiang (CN)

(73) Assignee: **Zhejiang MGS Level Industry Co., Ltd.**, Jinhua (CN)

(**) Term: **15 Years**

(21) Appl. No.: **29/622,858**

(22) Filed: **Oct. 20, 2017**

(30) **Foreign Application Priority Data**

Apr. 21, 2017 (CN) 2017 3 0137538

(51) **LOC (11) Cl.** **10-04**

(52) **U.S. Cl.**
USPC **D10/69**

(58) **Field of Classification Search**
USPC D10/69
CPC ... G01C 9/24; G01C 9/26; G01C 9/28; G01C 9/30; G01C 9/32; G01C 9/34; G01C 9/36
See application file for complete search history.

(56) **References Cited**

U.S. PATENT DOCUMENTS

D537,000 S * 2/2007 Kim D10/69
D598,308 S * 8/2009 Gofer D10/69
D646,596 S * 10/2011 Allemand D10/69

D751,429 S * 3/2016 Johnson D10/69

* cited by examiner

Primary Examiner — Antoine Duval Davis

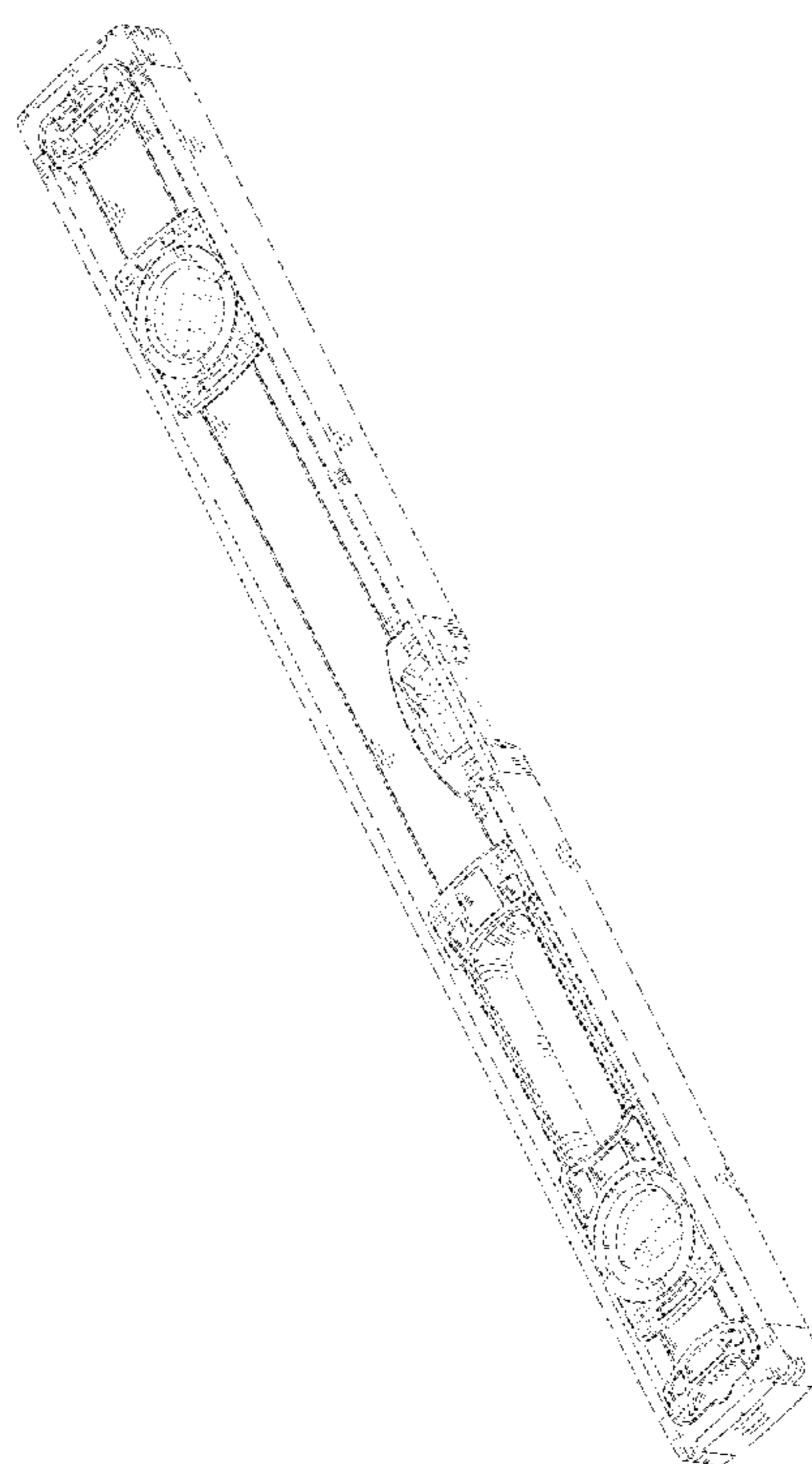
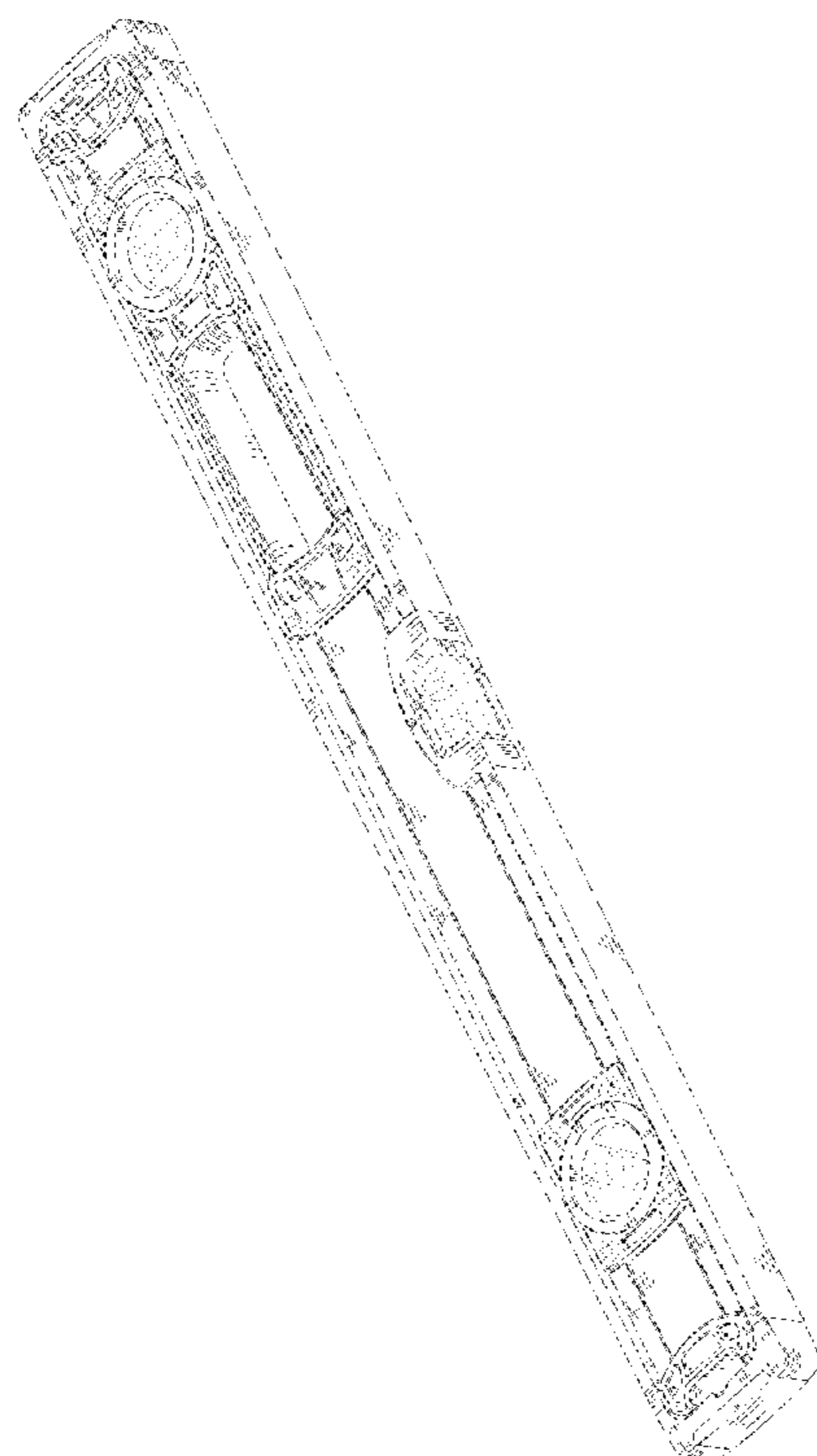
(57) **CLAIM**

The ornamental design for a spirit level, as shown and described.

DESCRIPTION

FIG. 1 is a bottom, front and right side perspective view of a spirit level showing my new design; FIG. 2 is a top, rear and right side perspective view thereof; FIG. 3 is a front elevational view thereof; FIG. 4 is a rear elevational view thereof; FIG. 5 is a left side view thereof; FIG. 6 is a right side view thereof; FIG. 7 is a top plan view thereof; FIG. 8 is a bottom plan view thereof; FIG. 9 is an enlarged view of portion 9 of FIG. 7; and, FIG. 10 is an enlarged view of portion 10 of FIG. 8. The broken lines in the drawings illustrate portions of the spirit level which form no part of the claimed design.

1 Claim, 10 Drawing Sheets



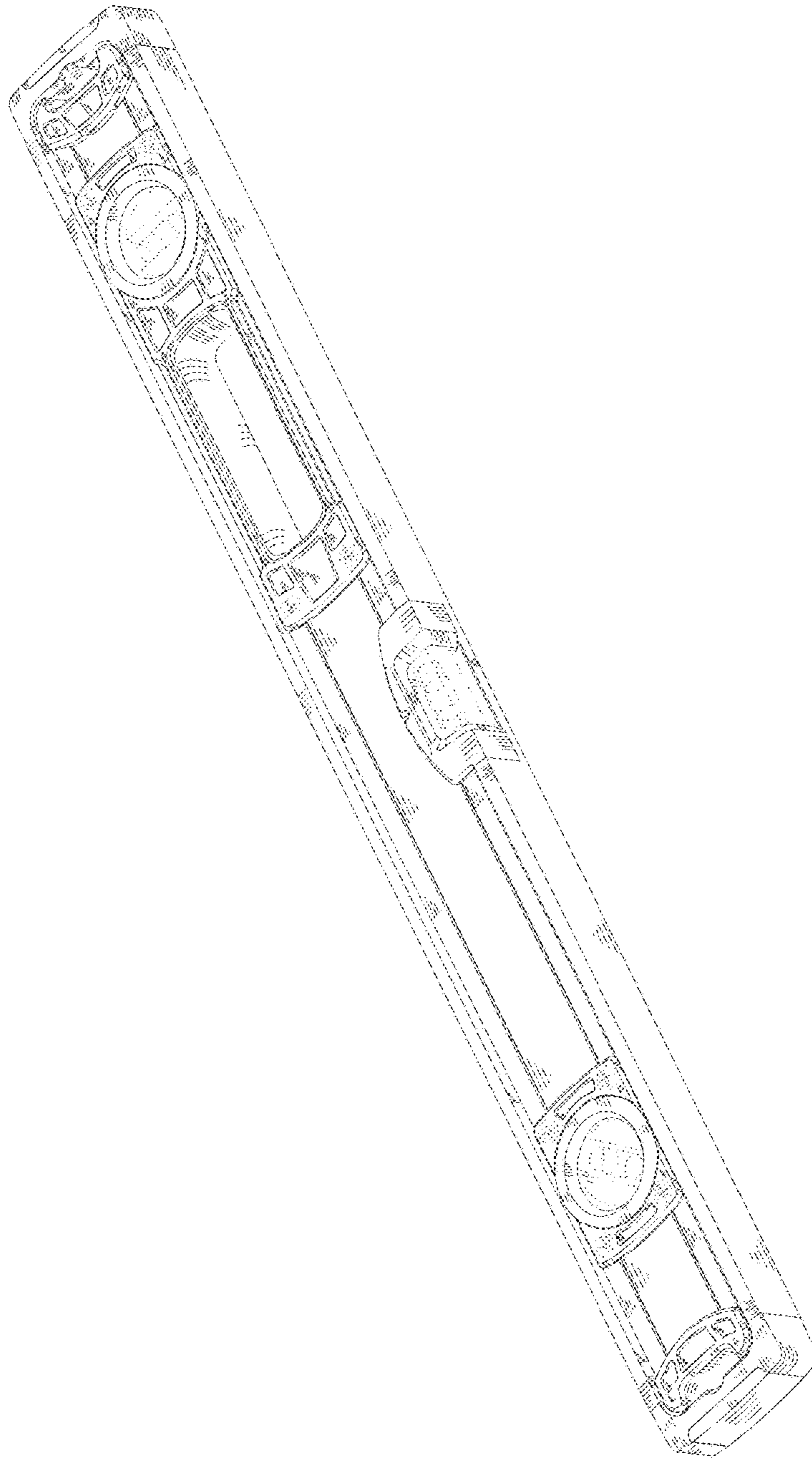


Fig. 1

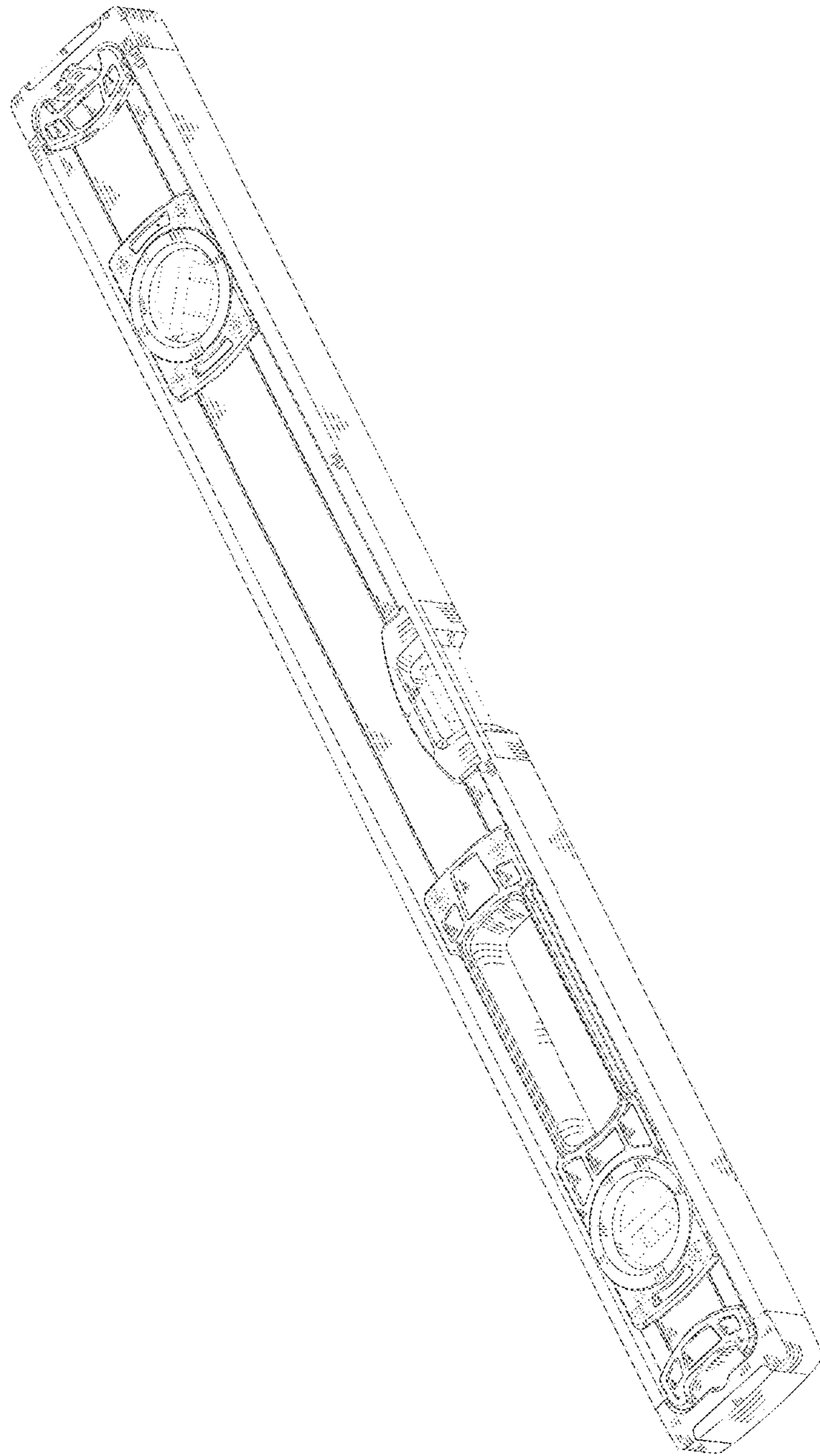


Fig. 2

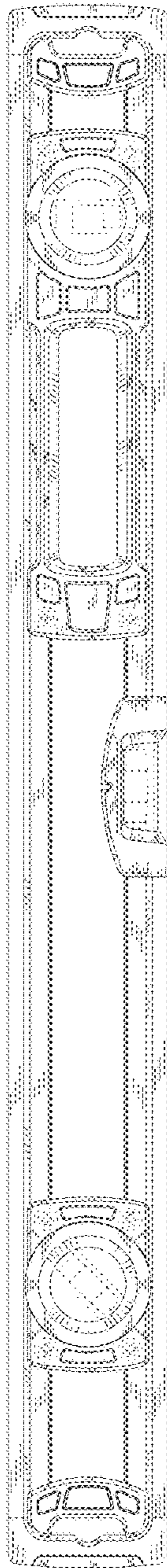


Fig. 3

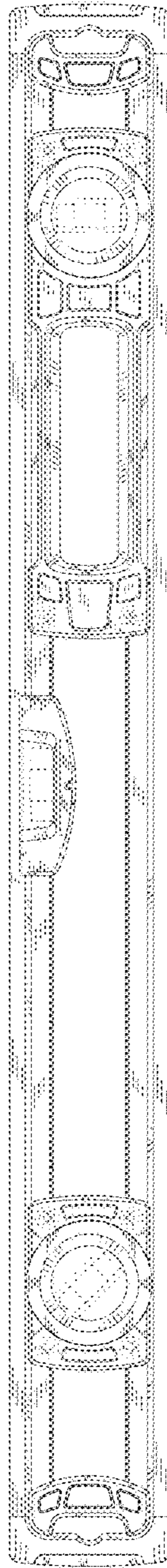


Fig. 4

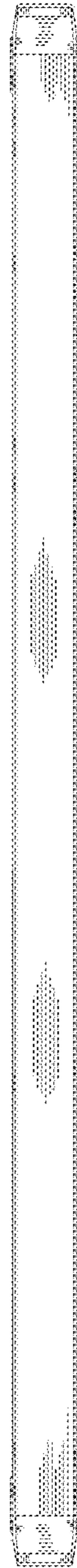


Fig. 5



Fig. 6

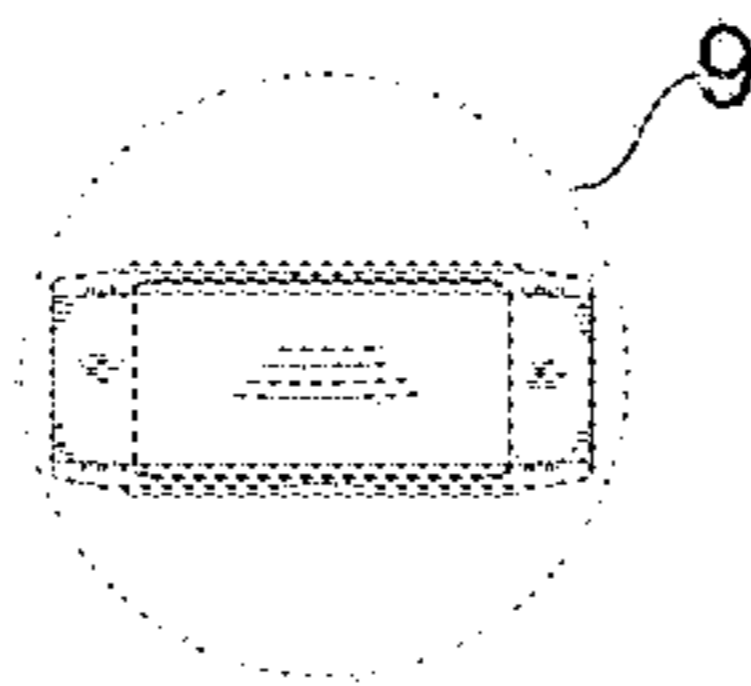


Fig. 7

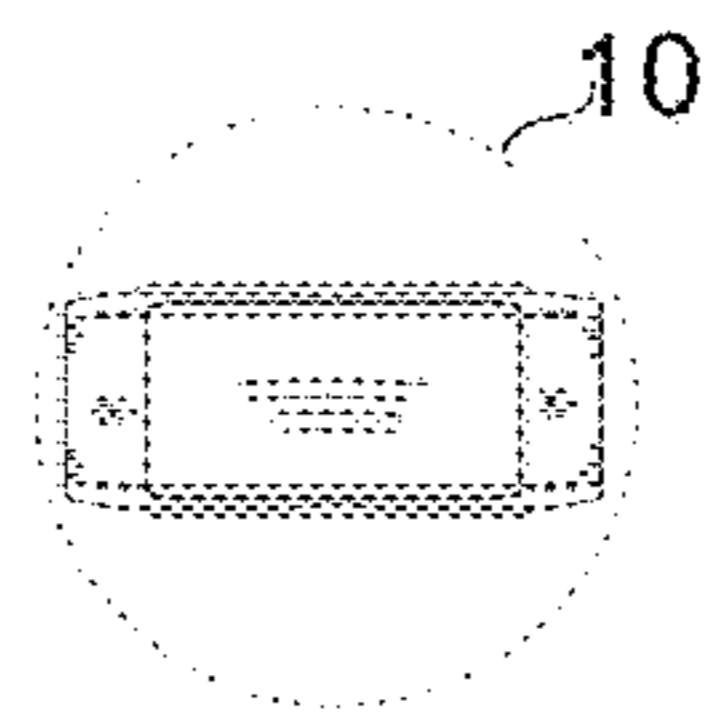


Fig. 8

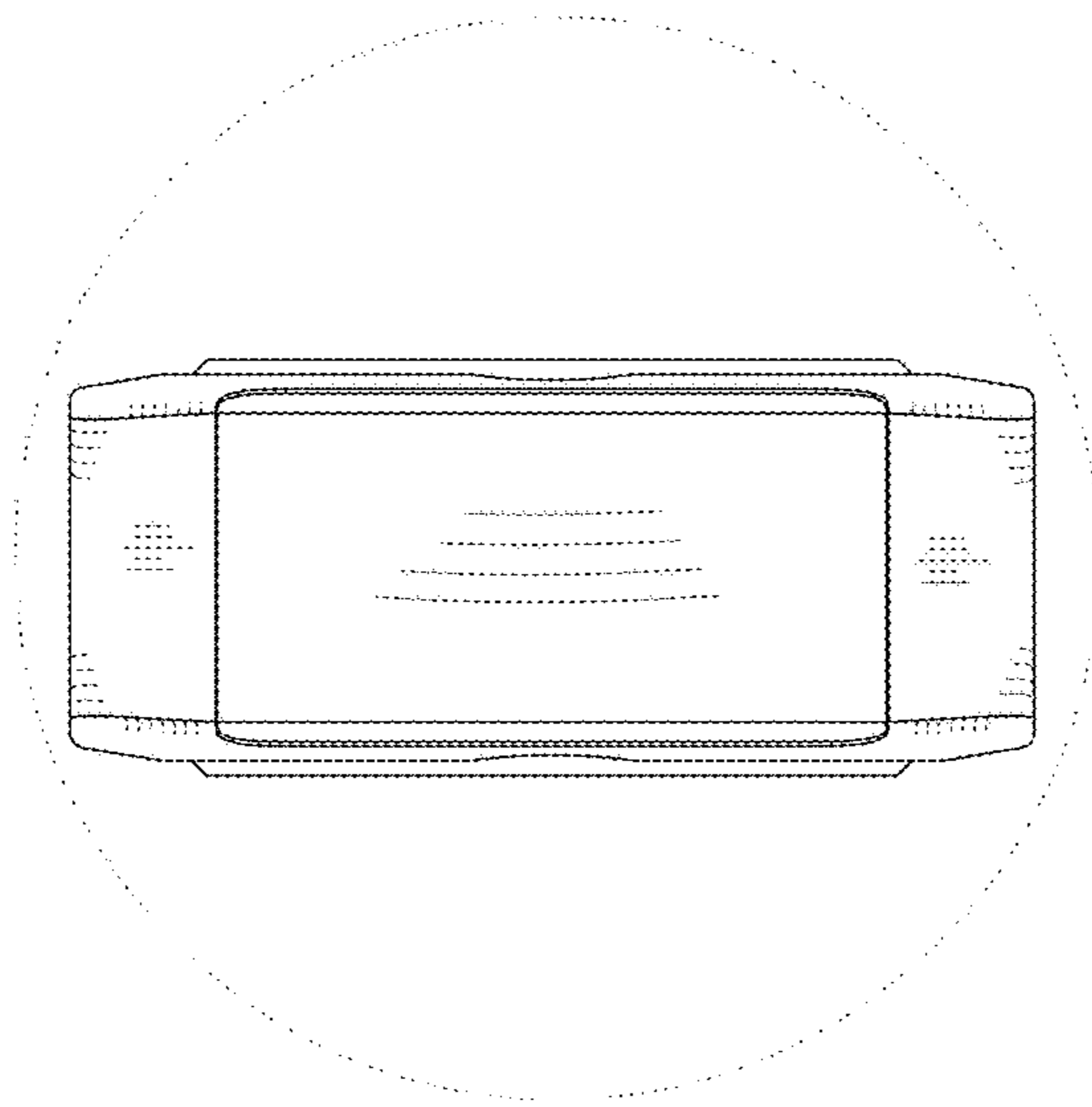


Fig. 9

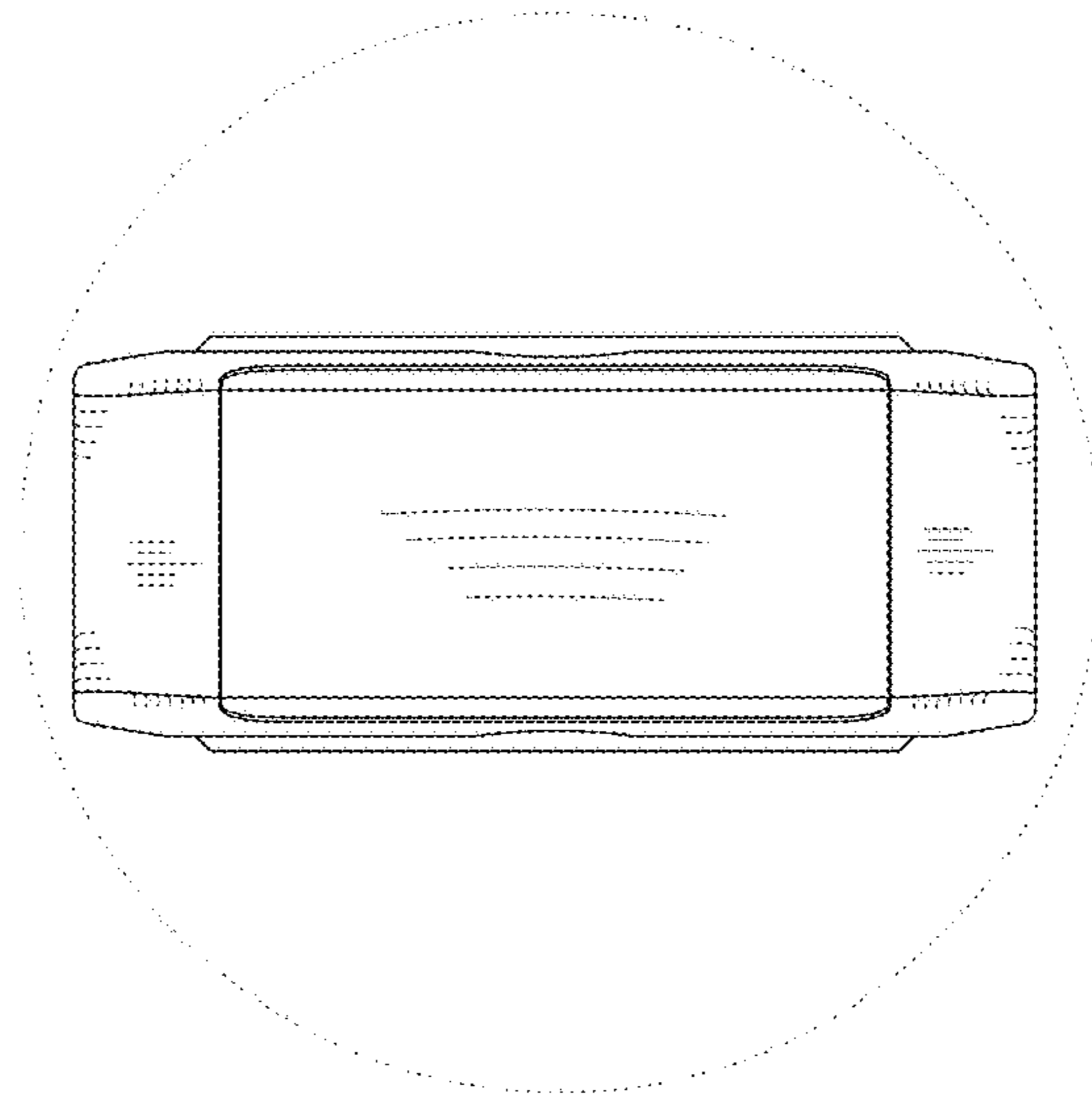


Fig. 10