



US00D846410S

(12) **United States Design Patent** (10) **Patent No.:** **US D846,410 S**  
**Anzalone et al.** (45) **Date of Patent:** **\*\* Apr. 23, 2019**

(54) **MEASURING CUP AND FUNNEL SET**

(71) Applicant: **UT Brands LLC**, Costa Mesa, CA (US)

(72) Inventors: **Christopher Anzalone**, Eagle, ID (US); **Robert Kushner**, Mid Levels (HK)

(73) Assignee: **UT Brands LLC**, Costa Mesa, CA (US)

(\*\*) Term: **15 Years**

(21) Appl. No.: **29/620,381**

(22) Filed: **Nov. 9, 2016**

(51) **LOC (11) Cl.** ..... **10-04**

(52) **U.S. Cl.**  
 USPC ..... **D10/46.2; D7/700**

(58) **Field of Classification Search**  
 USPC ..... D10/46.2, 46.3; D7/653, 691, 692, D7/316-318, 700  
 CPC ..... G01F 19/00-19/007; A61J 7/0023; A61J 7/0046; A61J 7/00; B65D 21/00; A47G 19/00  
 See application file for complete search history.

D640,101 S \* 6/2011 Clark, Jr. .... D10/46.2  
 D641,266 S \* 7/2011 Tamura ..... D10/46.2  
 D738,169 S \* 9/2015 Weisenbach ..... D7/700  
 D756,246 S \* 5/2016 Kent ..... D10/46.2  
 D758,894 S \* 6/2016 Anzalone ..... D10/46.3  
 D760,607 S \* 7/2016 Anzalone ..... D10/46.3  
 D815,928 S \* 4/2018 Rummel ..... D7/700  
 2010/0243723 A1\* 9/2010 Partington ..... G01F 19/00  
 229/406  
 2015/0160062 A1\* 6/2015 Breit ..... G01F 19/00  
 73/427  
 2015/0160064 A1\* 6/2015 Kushner ..... G01F 19/00  
 73/427

\* cited by examiner

*Primary Examiner* — Brett Miller  
 (74) *Attorney, Agent, or Firm* — Greenberg Traurig, LLP

(57) **CLAIM**

The ornamental design for a measuring cup and funnel set, as shown and described.

**DESCRIPTION**

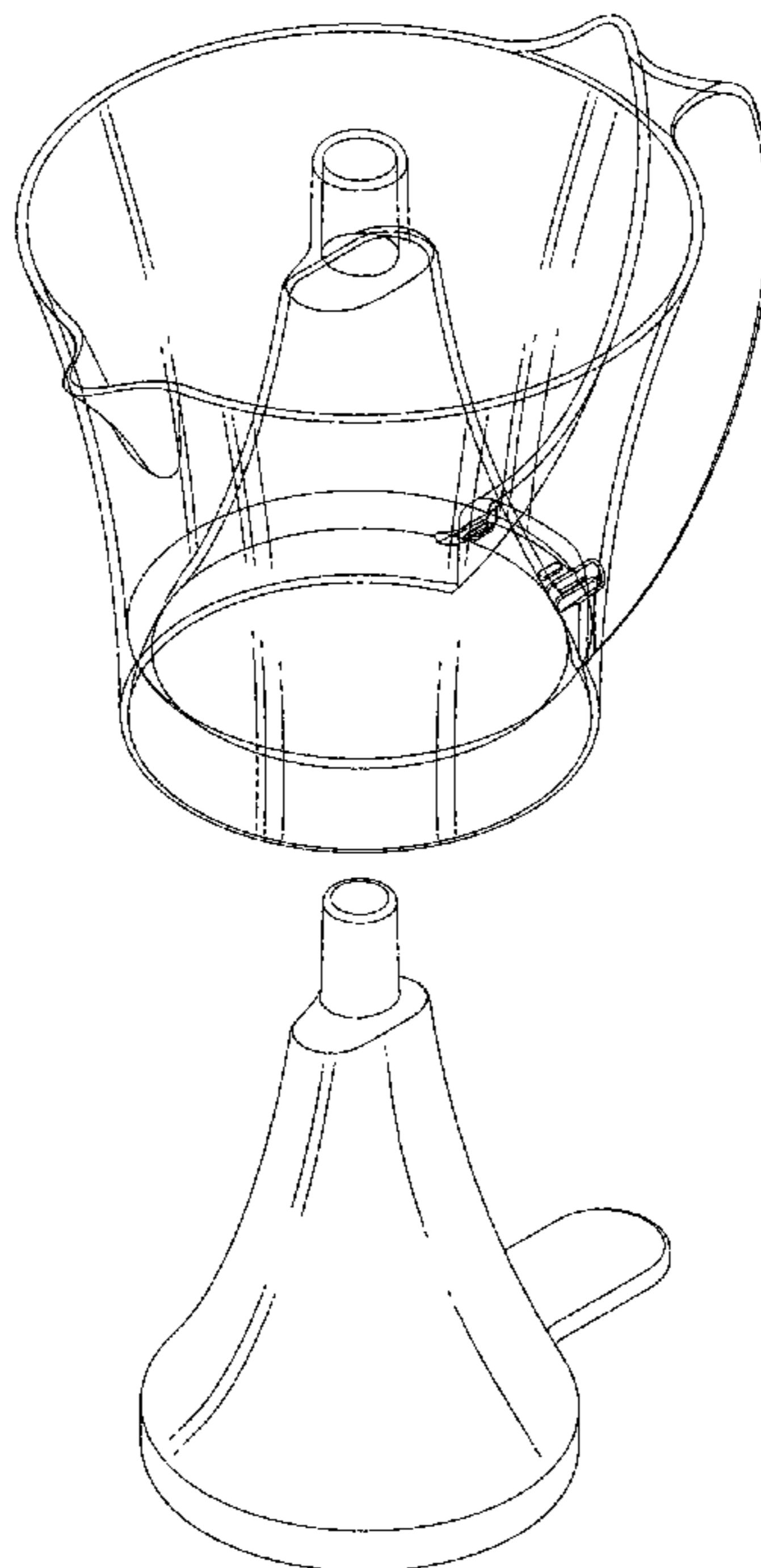
FIG. 1 is a top view of a measuring cup and funnel set of our new design;  
 FIG. 2 is a front view of FIG. 1;  
 FIG. 3 is a side view of FIG. 1;  
 FIG. 4 is a back view of FIG. 1;  
 FIG. 5 is a bottom view of FIG. 1;  
 FIG. 6 is an exploded top, side, and front perspective view of FIG. 1; and,  
 FIG. 7 is an exploded bottom, side, and back perspective view of FIG. 1.

**1 Claim, 7 Drawing Sheets**

(56) **References Cited**

**U.S. PATENT DOCUMENTS**

5,487,486 A \* 1/1996 Meneo ..... A47G 19/127  
 D7/318  
 D559,634 S \* 1/2008 Chan ..... D10/46.2  
 D619,427 S \* 7/2010 Poteet ..... D10/46.2



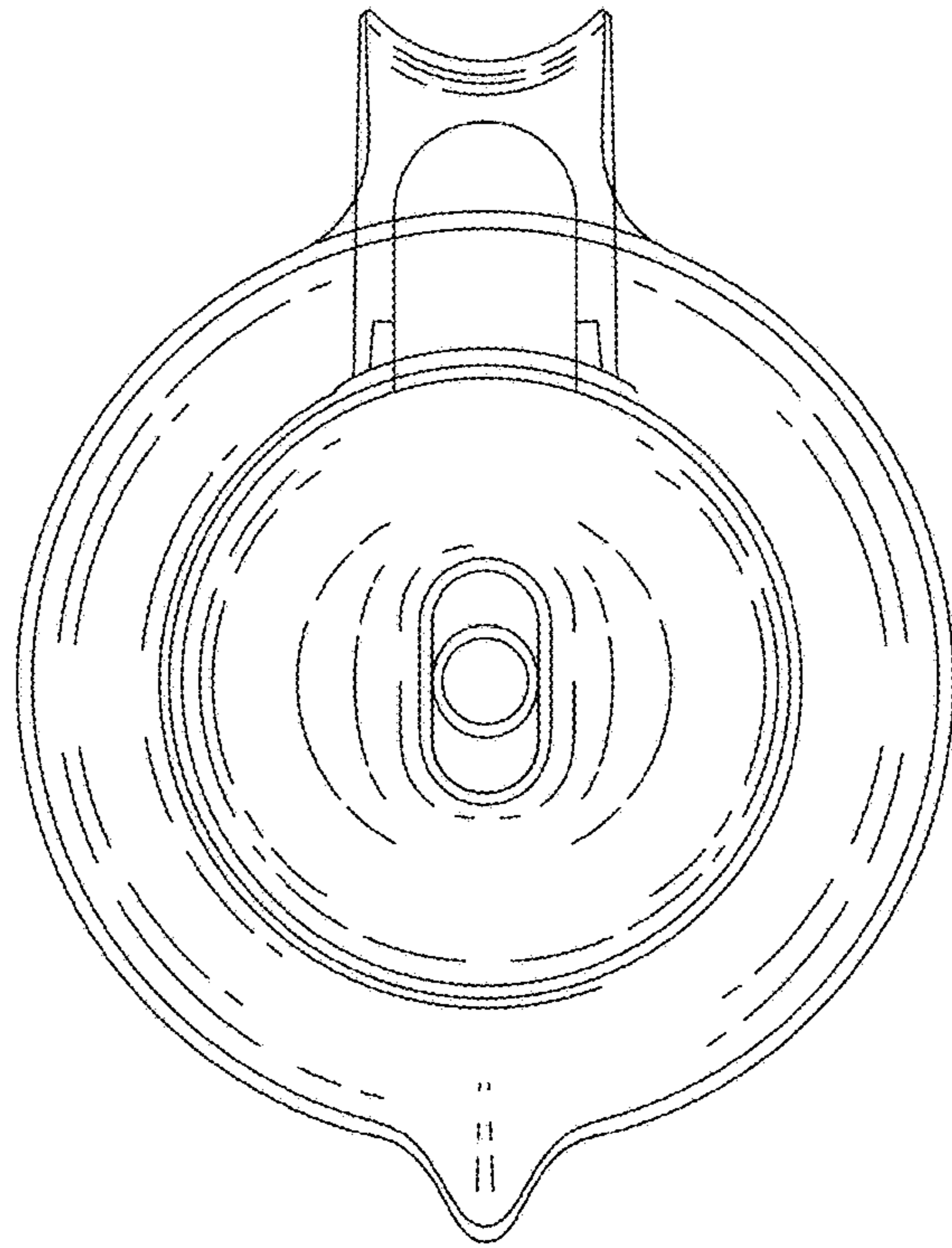


FIG. 1

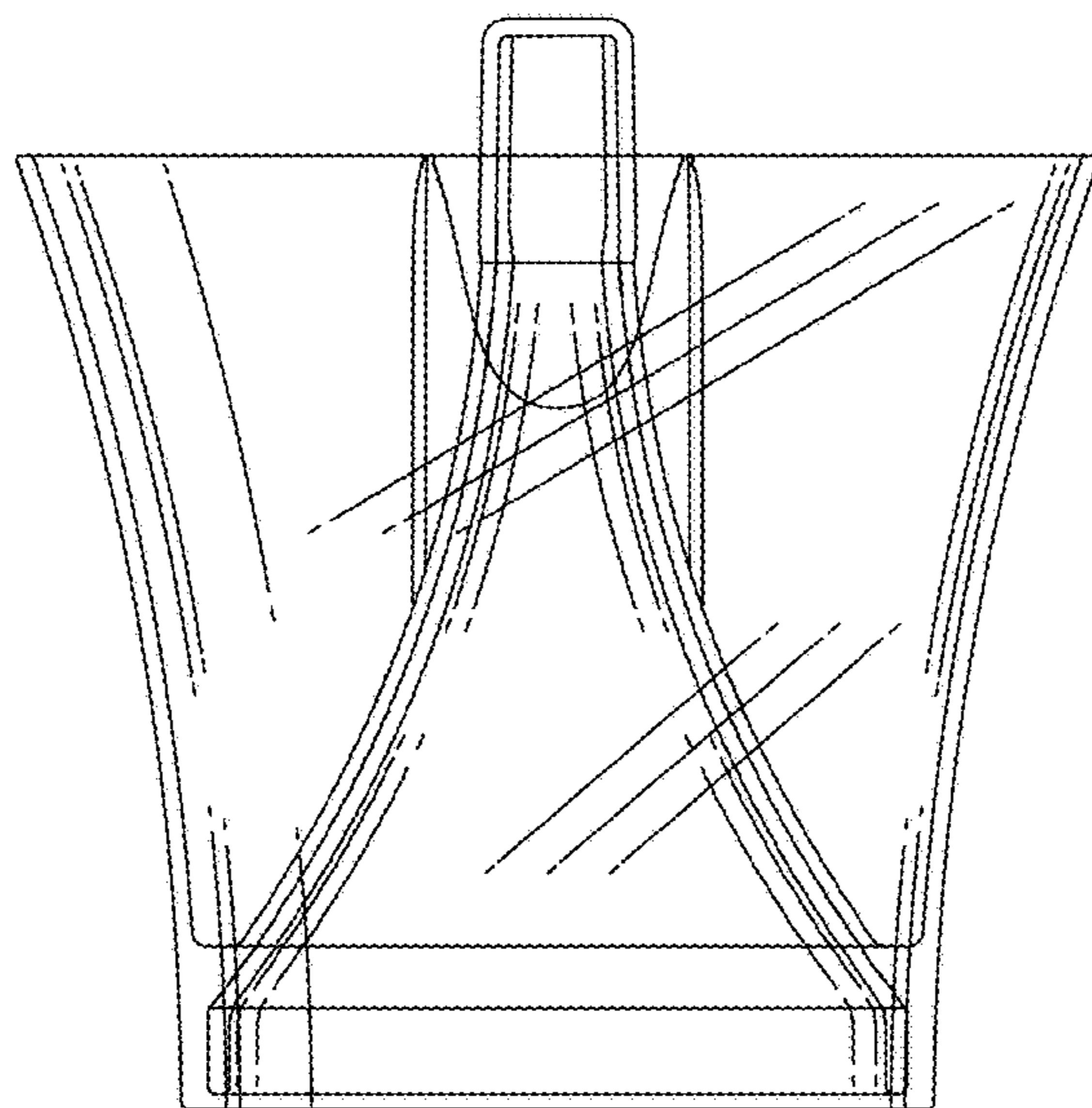


FIG. 2

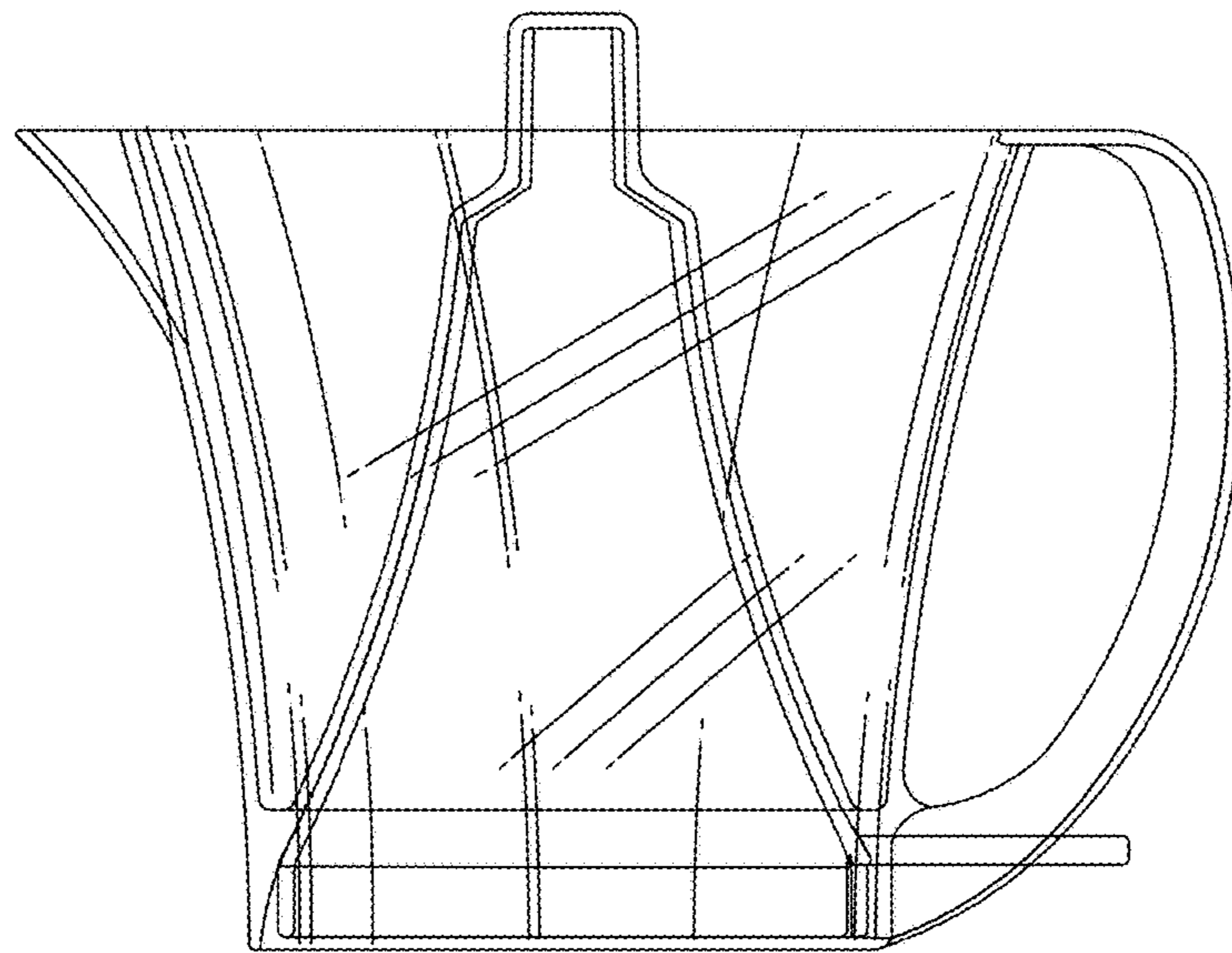


FIG. 3

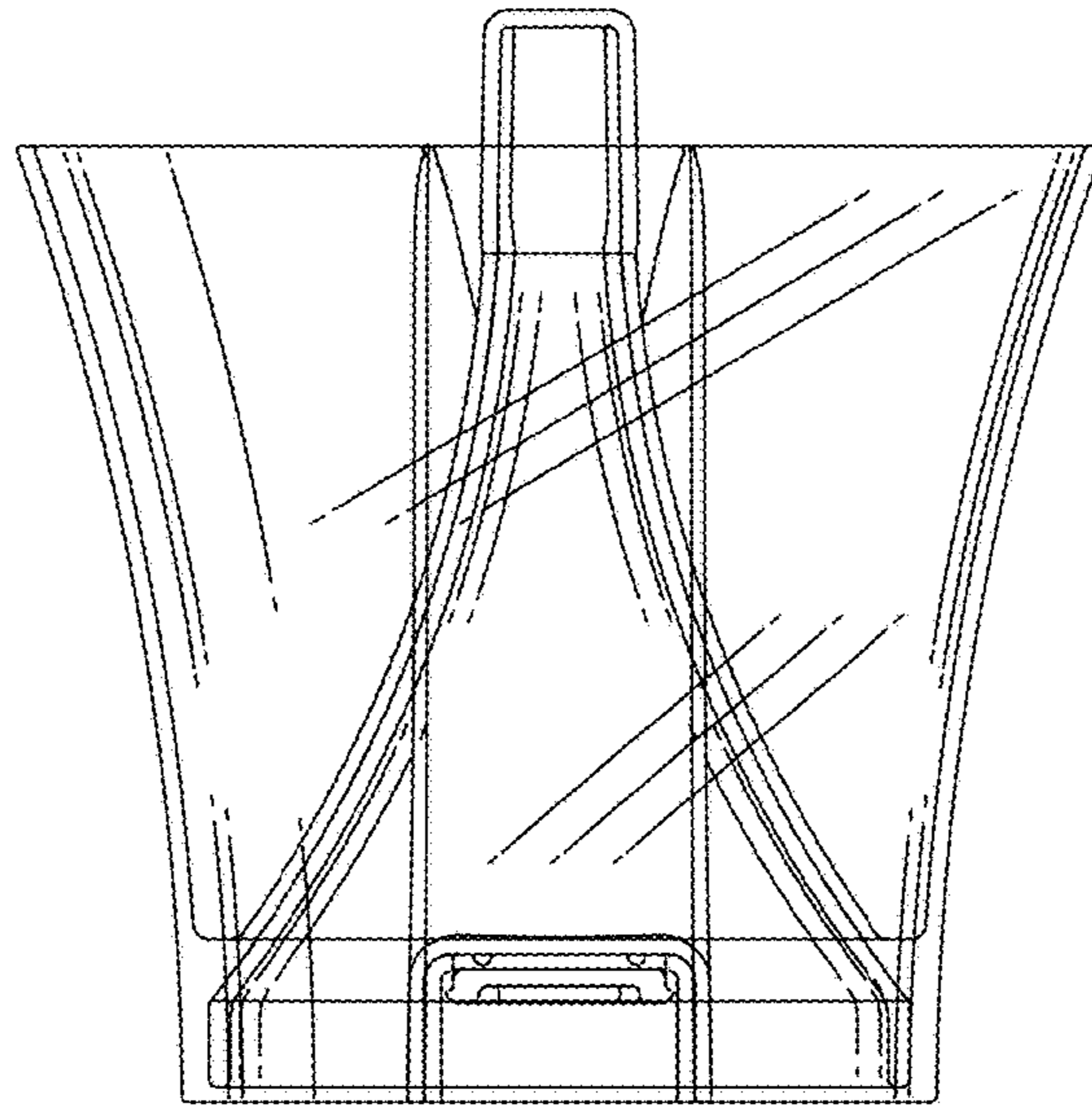


FIG. 4

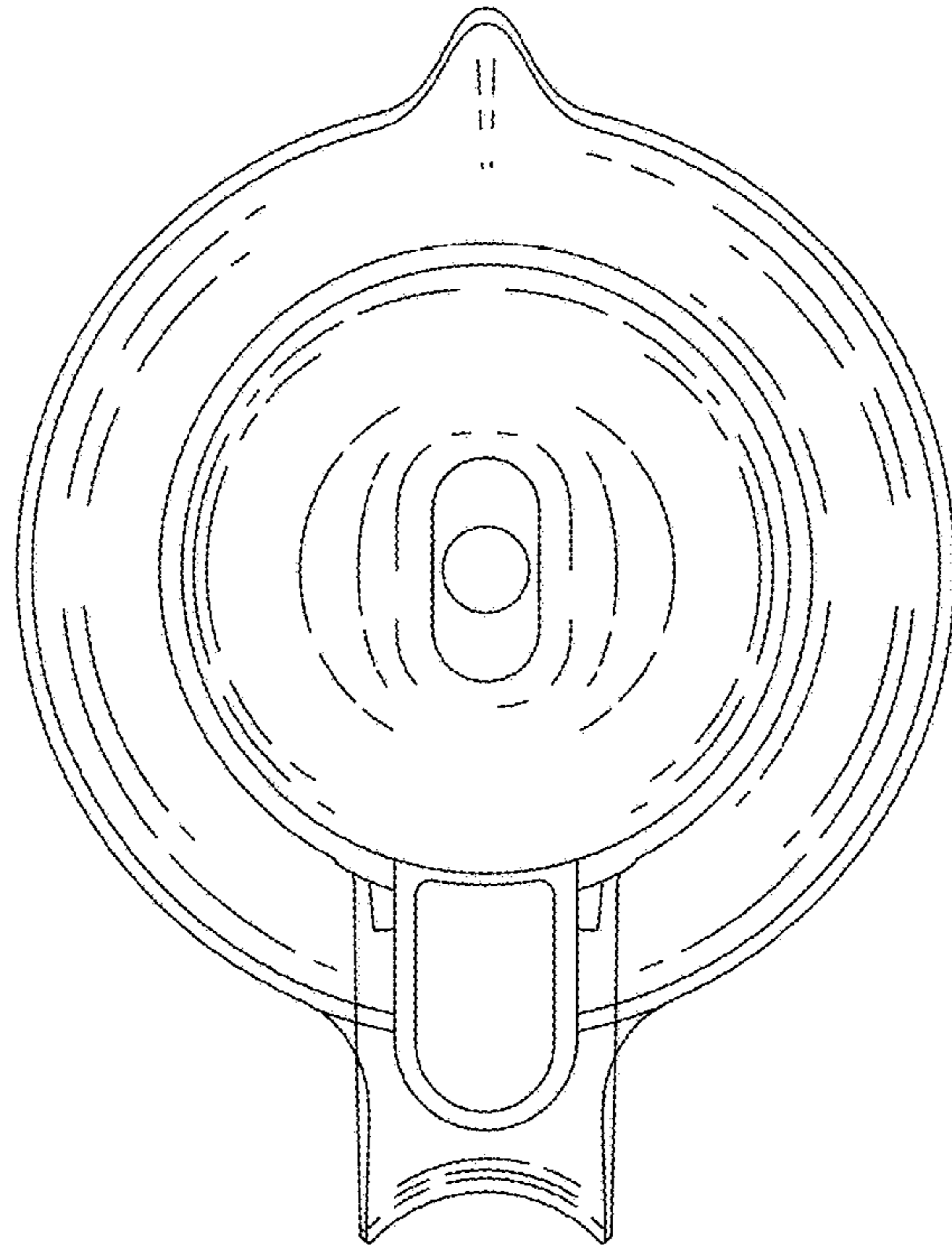


FIG. 5

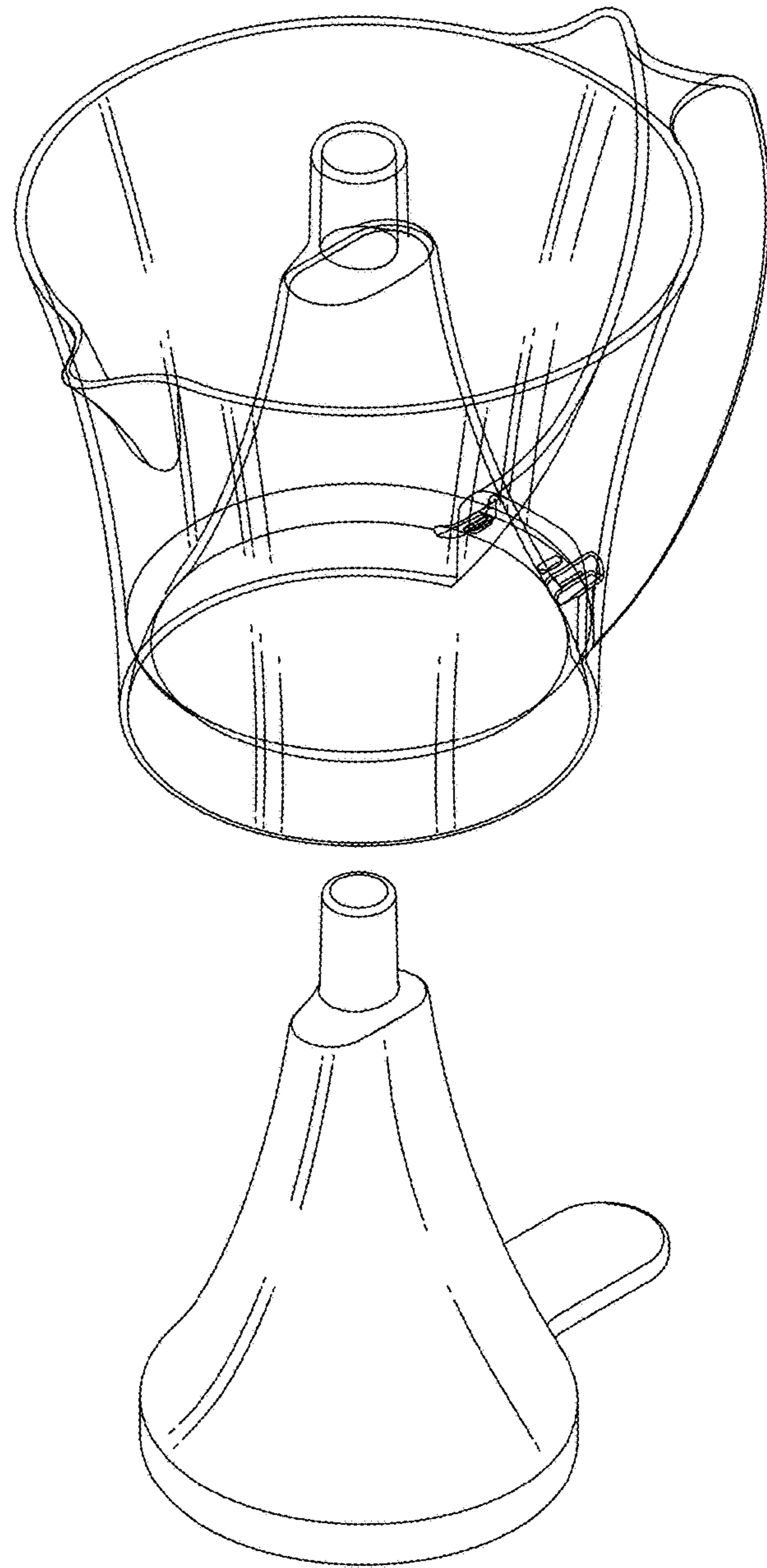


FIG. 6



FIG. 7