



US00D846408S

(12) **United States Design Patent**  
**Rossetti**

(10) **Patent No.:** **US D846,408 S**

(45) **Date of Patent:** **\*\* Apr. 23, 2019**

(54) **MODULAR JAR**

(71) Applicant: **Nicholas Steven Rossetti**, Dracut, MA  
(US)

(72) Inventor: **Nicholas Steven Rossetti**, Dracut, MA  
(US)

(\*\*) Term: **15 Years**

(21) Appl. No.: **29/616,673**

(22) Filed: **Sep. 7, 2017**

(51) **LOC (11) Cl.** ..... **09-01**

(52) **U.S. Cl.**

USPC ..... **D9/738**; D9/552; D9/558

(58) **Field of Classification Search**

USPC ..... D7/300–322, 391–396.2, 509–511, 523,  
D7/589, 598, 612, 615, 619.1; D9/435,  
D9/436, 439, 440, 443, 447, 454, 500,  
D9/503–505, 516–575, 738–747,  
D9/763–783; 215/40–55, 316–354,  
215/370–385; 220/574–575; D4/116;  
D6/515–519, 542–545; D28/7, 57, 73,  
D28/76–91.1

CPC ..... B65D 1/00; B65D 1/02; B65D 1/0223;  
B65D 1/023; B65D 1/0276

See application file for complete search history.

(56) **References Cited**

**U.S. PATENT DOCUMENTS**

D222,961	S	*	2/1972	Edwards	.....	229/400
D223,691	S	*	5/1972	Newman	.....	D28/76
D484,061	S	*	12/2003	Quinn	.....	D7/511
6,776,549	B2	*	8/2004	Gueret	.....	A45D 34/042
						401/126
D539,480	S	*	3/2007	Kostow	.....	D28/76
D539,655	S	*	4/2007	Kipperman	.....	D9/529
D605,529	S	*	12/2009	Holtrop	.....	D9/454
D629,657	S	*	12/2010	Carreno	.....	D7/629
D666,061	S	*	8/2012	Ying	.....	D7/629
8,286,647	B2	*	10/2012	Bae	.....	A45D 33/006
						132/305

D739,083	S	*	9/2015	Ho	.....	D28/85
D766,668	S	*	9/2016	Garcia	.....	D7/608
D773,848	S	*	12/2016	Yang	.....	D6/542
D794,475	S	*	8/2017	Now	.....	D9/738
D799,266	S	*	10/2017	Schroedter	.....	D7/507
D801,077	S	*	10/2017	Stelmarski	.....	D6/542
D801,078	S	*	10/2017	Snell	.....	D6/542
D807,181	S	*	1/2018	Xie	.....	D9/504
2002/0003983	A1	*	1/2002	Gueret	.....	A45D 33/00
						401/130
2017/0113836	A1	*	4/2017	Labedzki	.....	B65D 11/04
2017/0202342	A1	*	7/2017	Won	.....	A45D 40/24

**OTHER PUBLICATIONS**

“Modular Jar.” thingiverse.com. Sep. 21, 2016. Accessed Nov. 20, 2018. Available online at URL: <<https://www.thingiverse.com/thing:1782234>> (Year: 2016).\*

\* cited by examiner

*Primary Examiner* — Cathron C Brooks

*Assistant Examiner* — Christian P. McLean

(57) **CLAIM**

The ornamental design for a modular jar, as shown and described.

**DESCRIPTION**

FIG. 1 is a top perspective view of a modular jar showing my new design;

FIG. 2 is a bottom perspective view thereof;

FIG. 3 is a front view thereof;

FIG. 4 is a back view thereof;

FIG. 5 is a left view thereof;

FIG. 6 is a right view thereof;

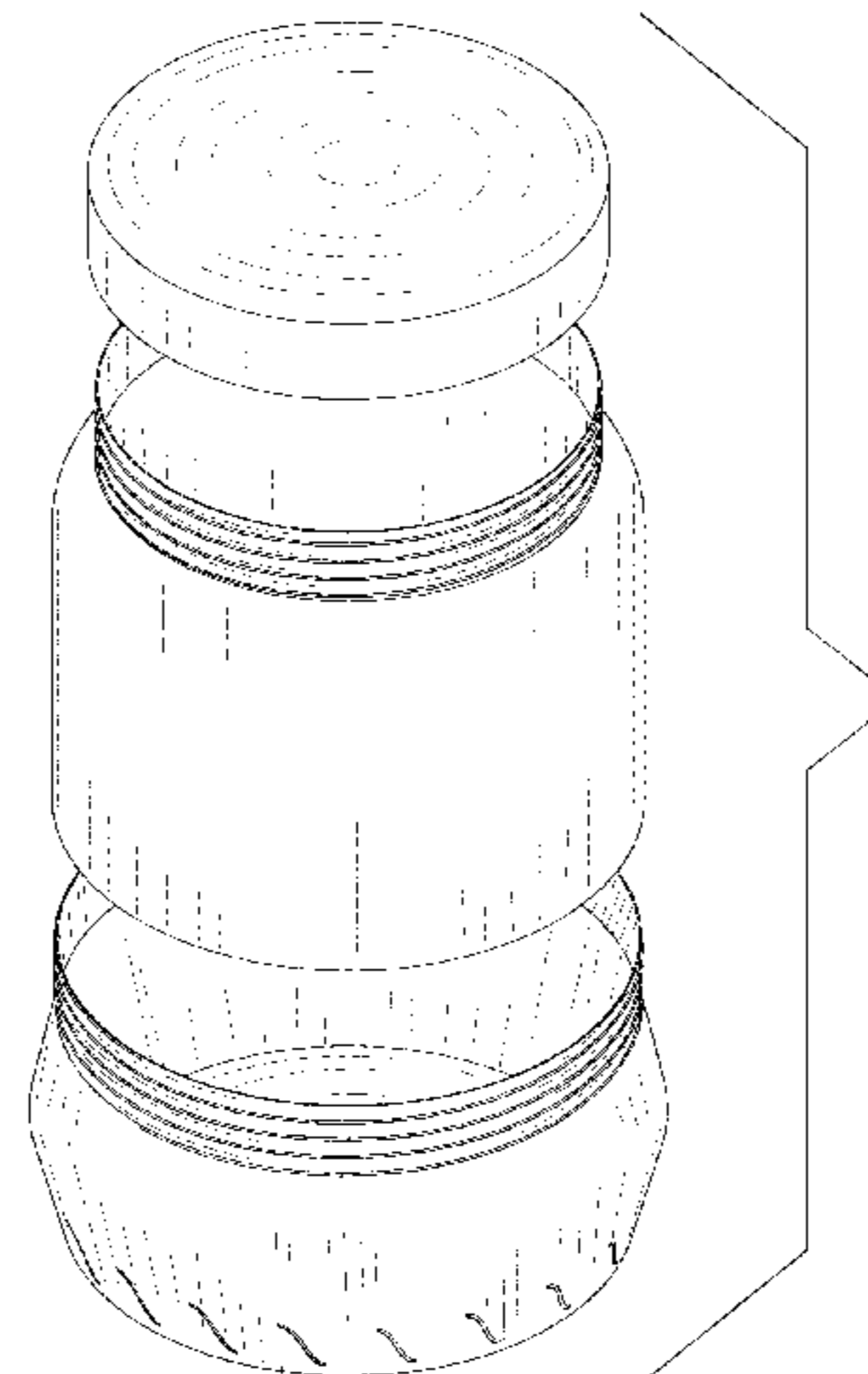
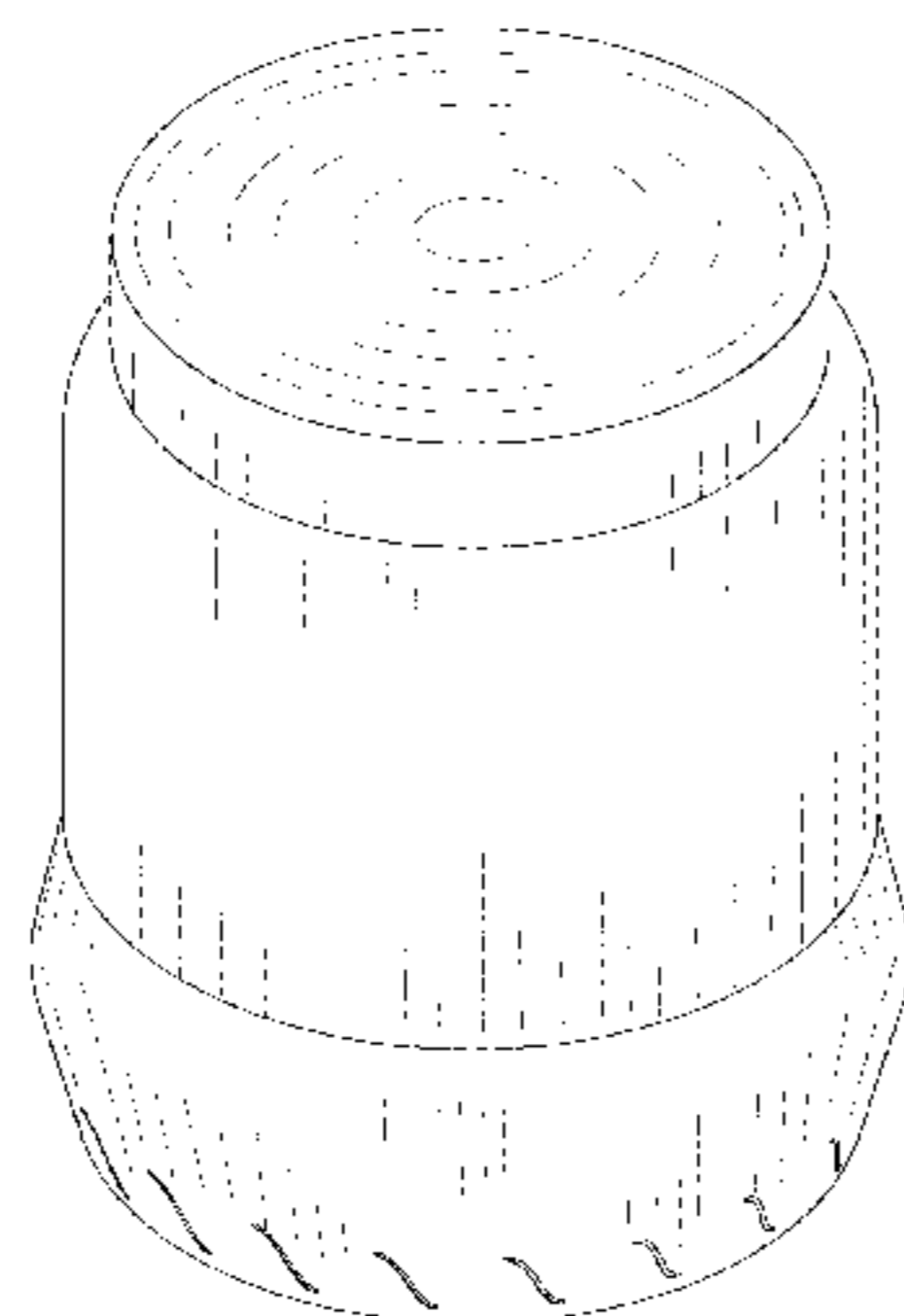
FIG. 7 is a top view thereof;

FIG. 8 is a bottom view thereof;

FIG. 9 is a top perspective exploded view thereof; and,

FIG. 10 is a bottom perspective exploded view thereof.

**1 Claim, 10 Drawing Sheets**



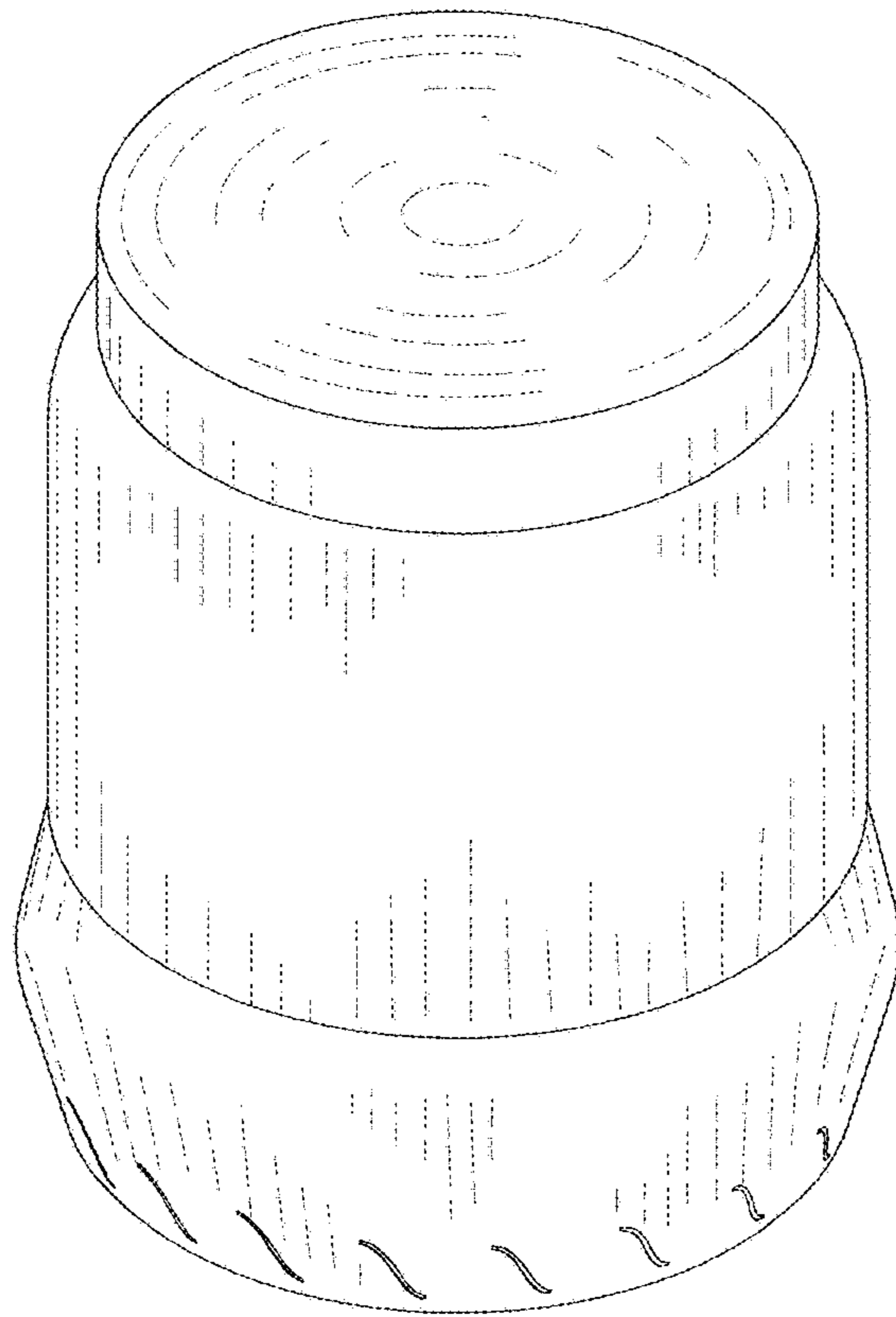


FIG. 1

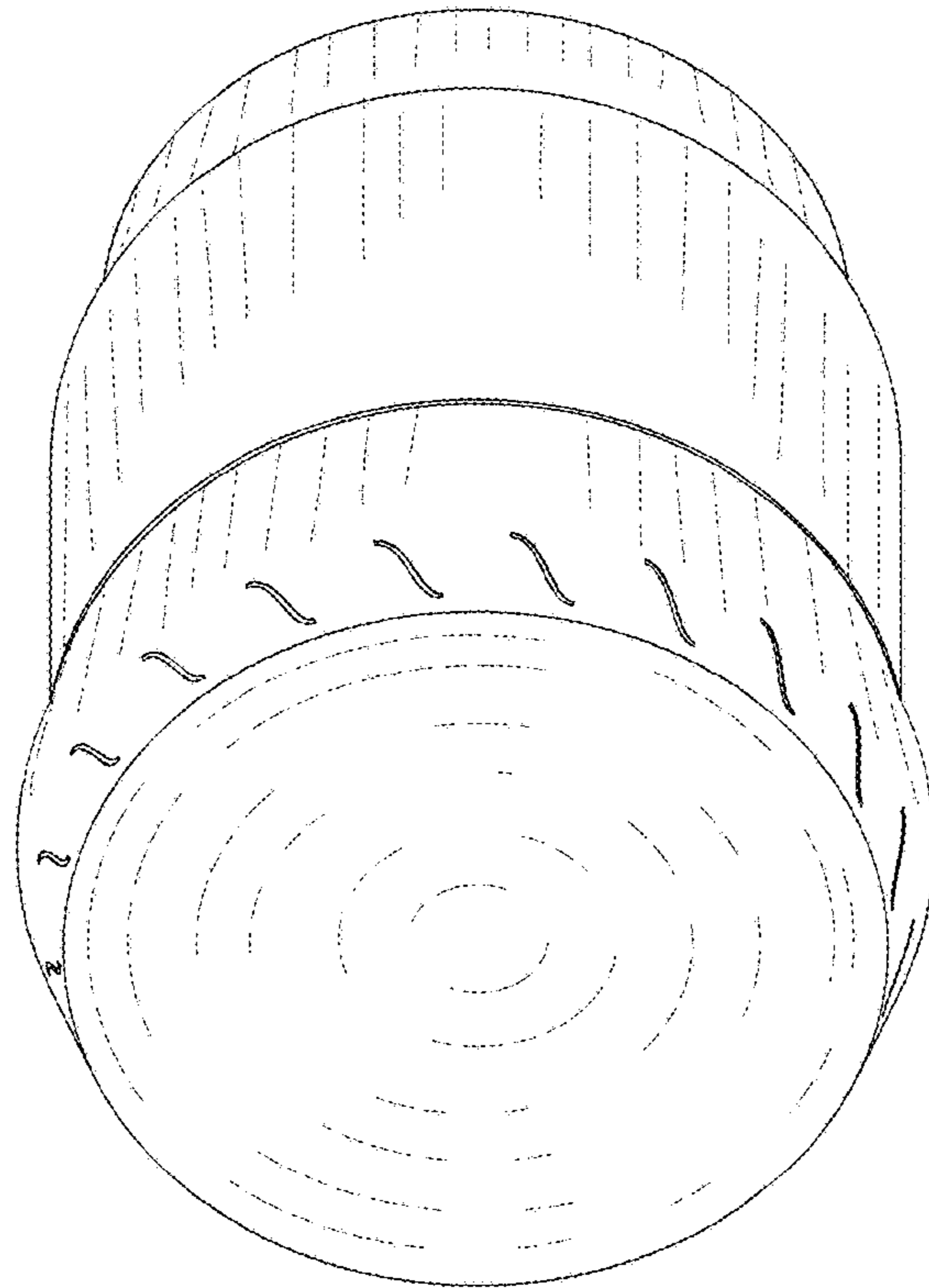


FIG. 2

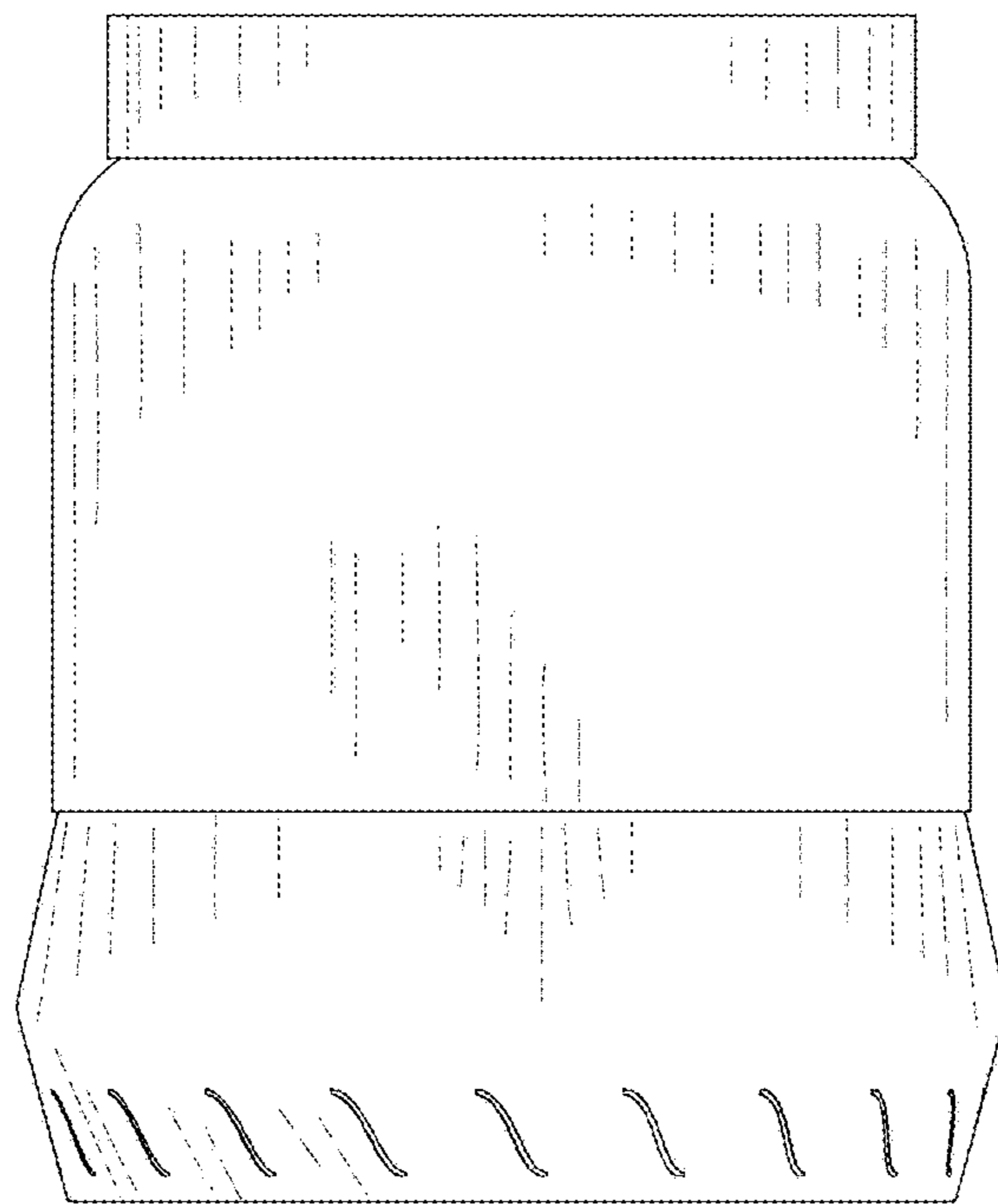


FIG. 3

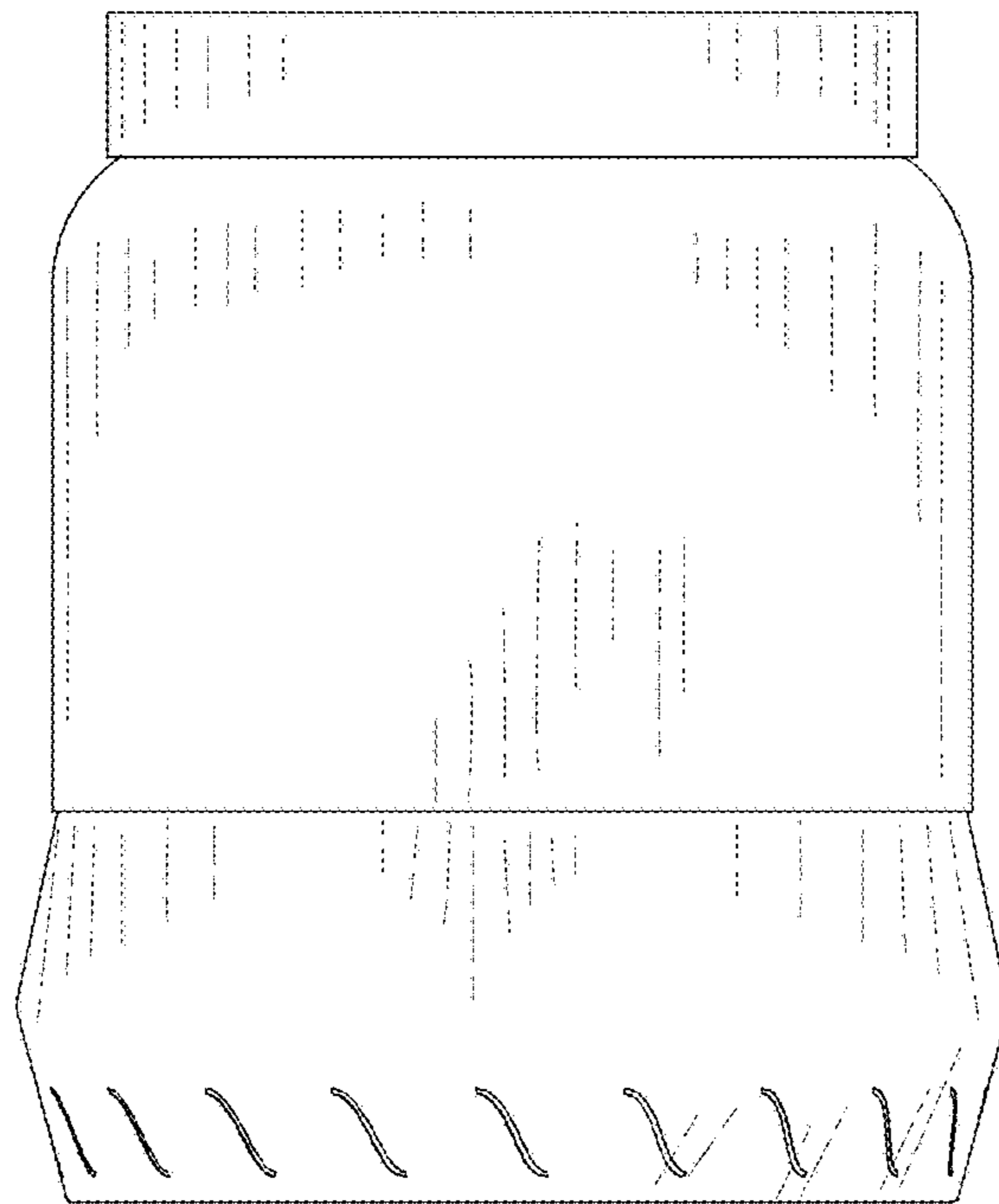


FIG. 4

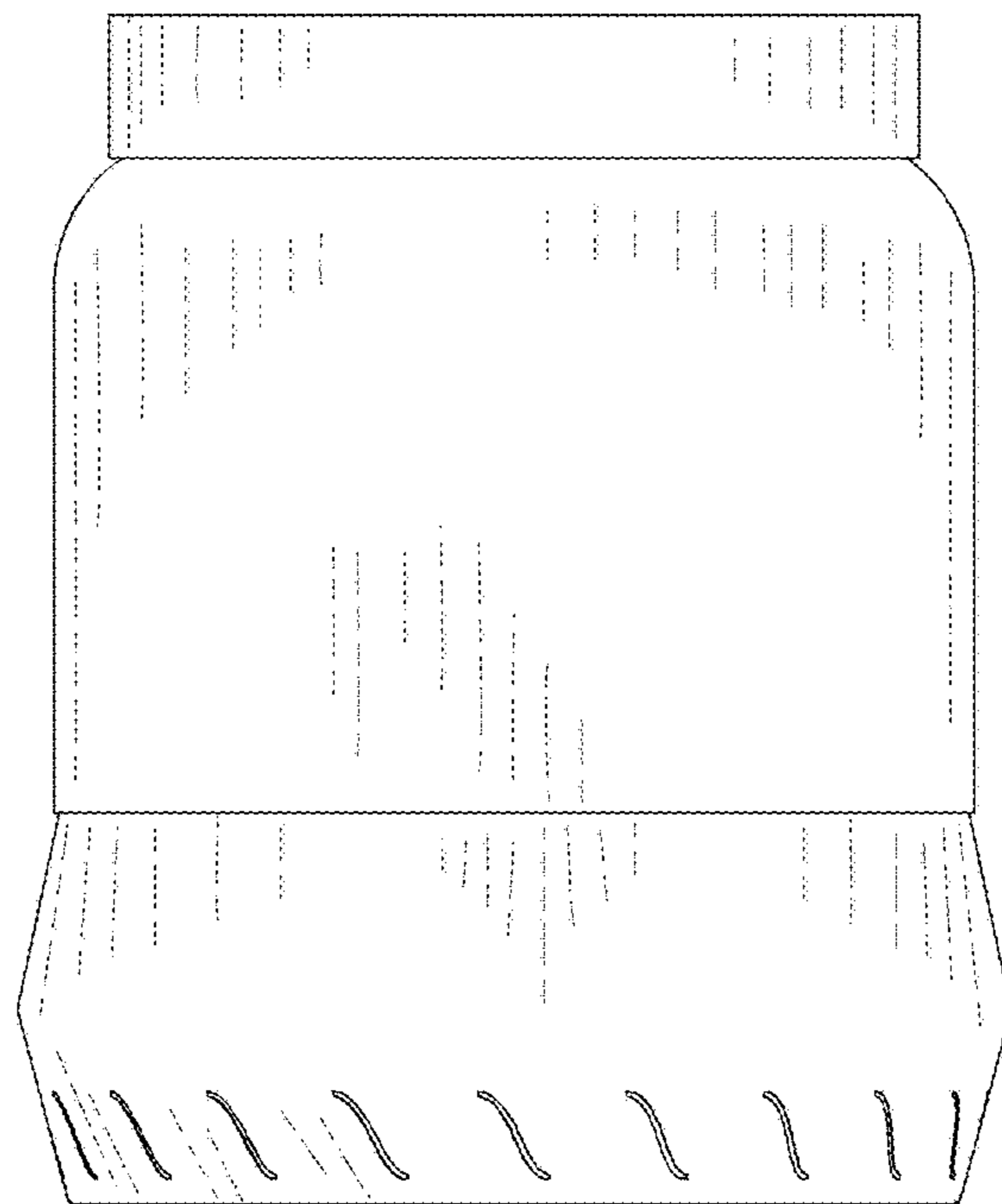


FIG. 5

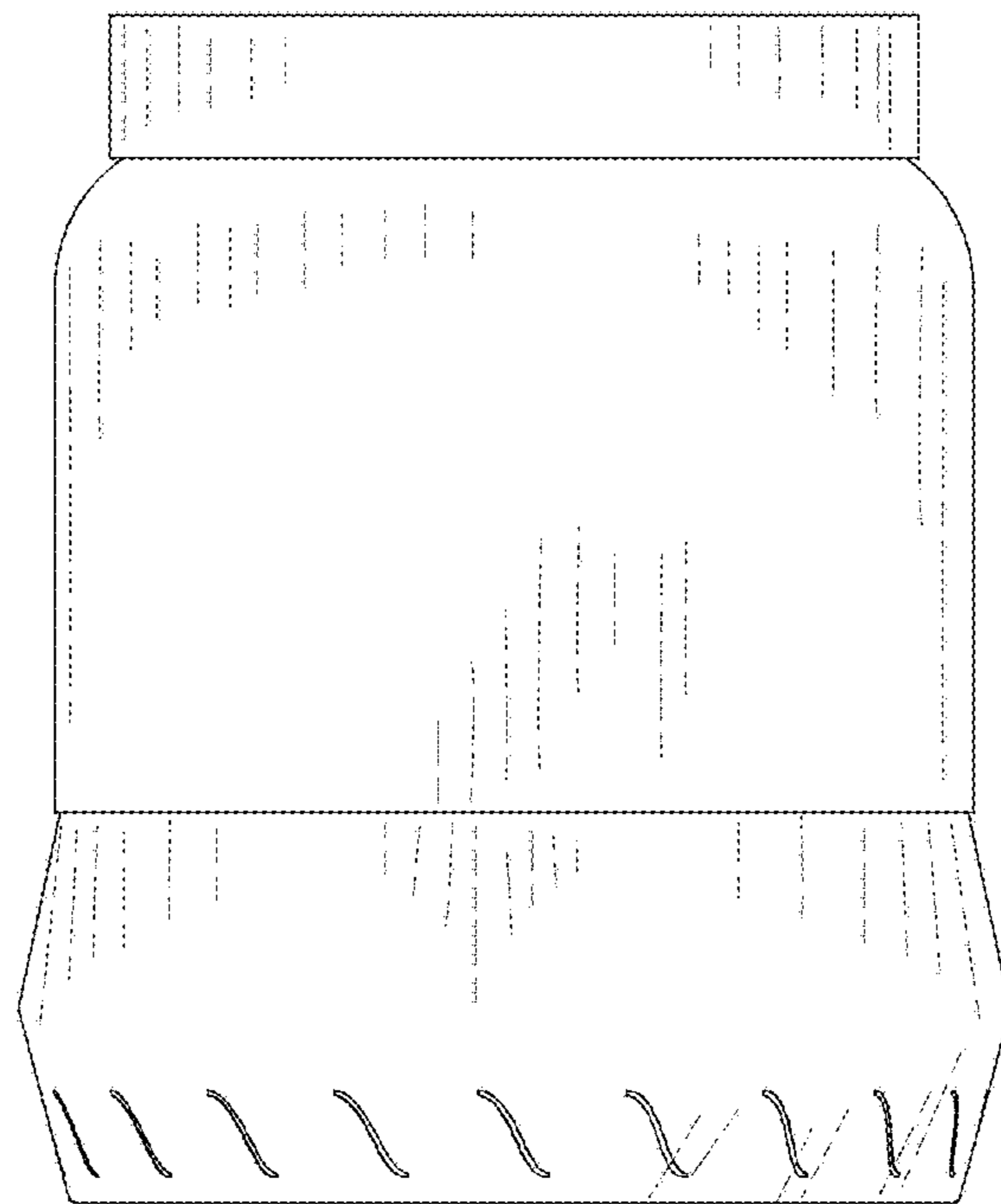


FIG. 6

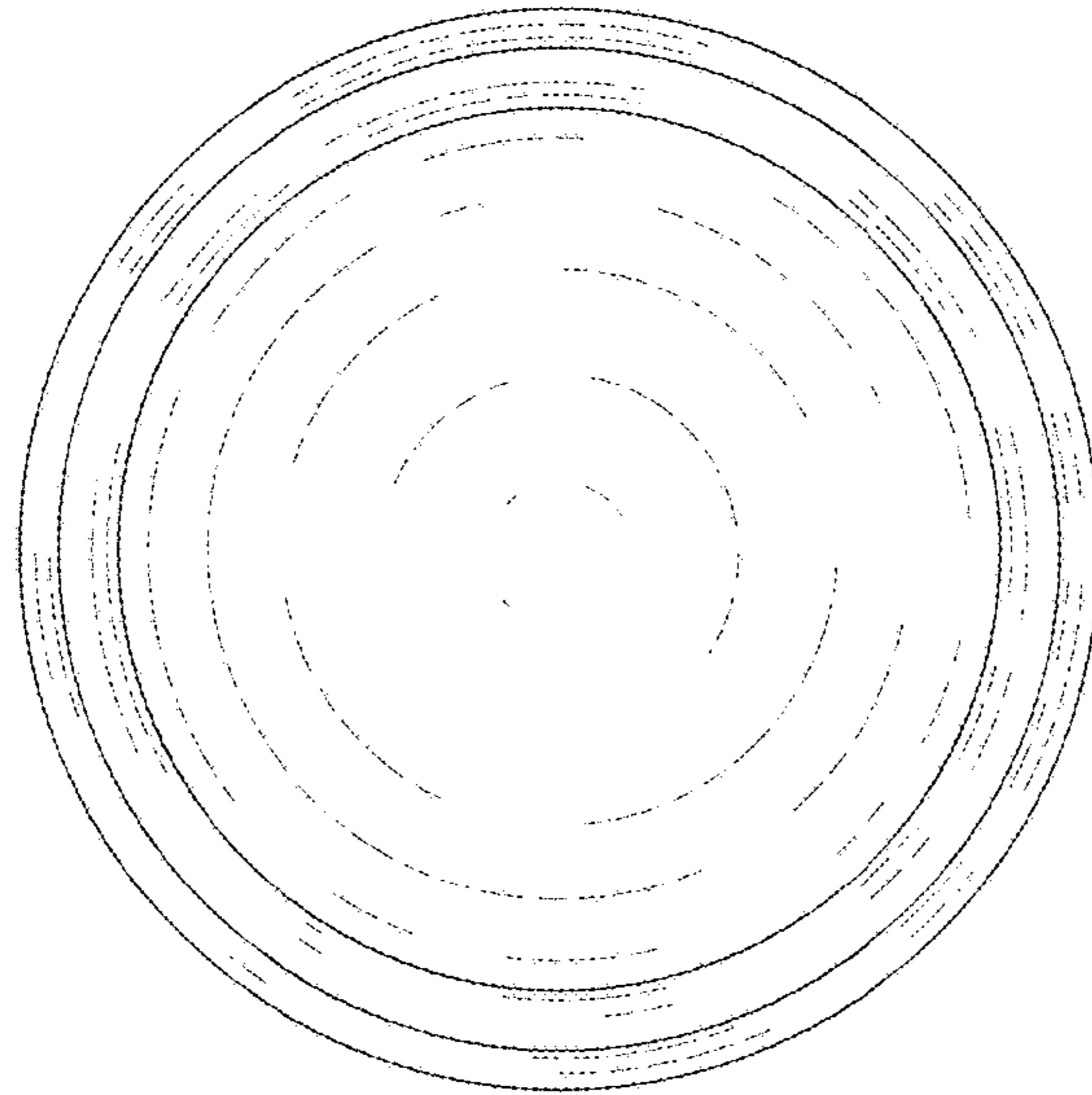


FIG. 7



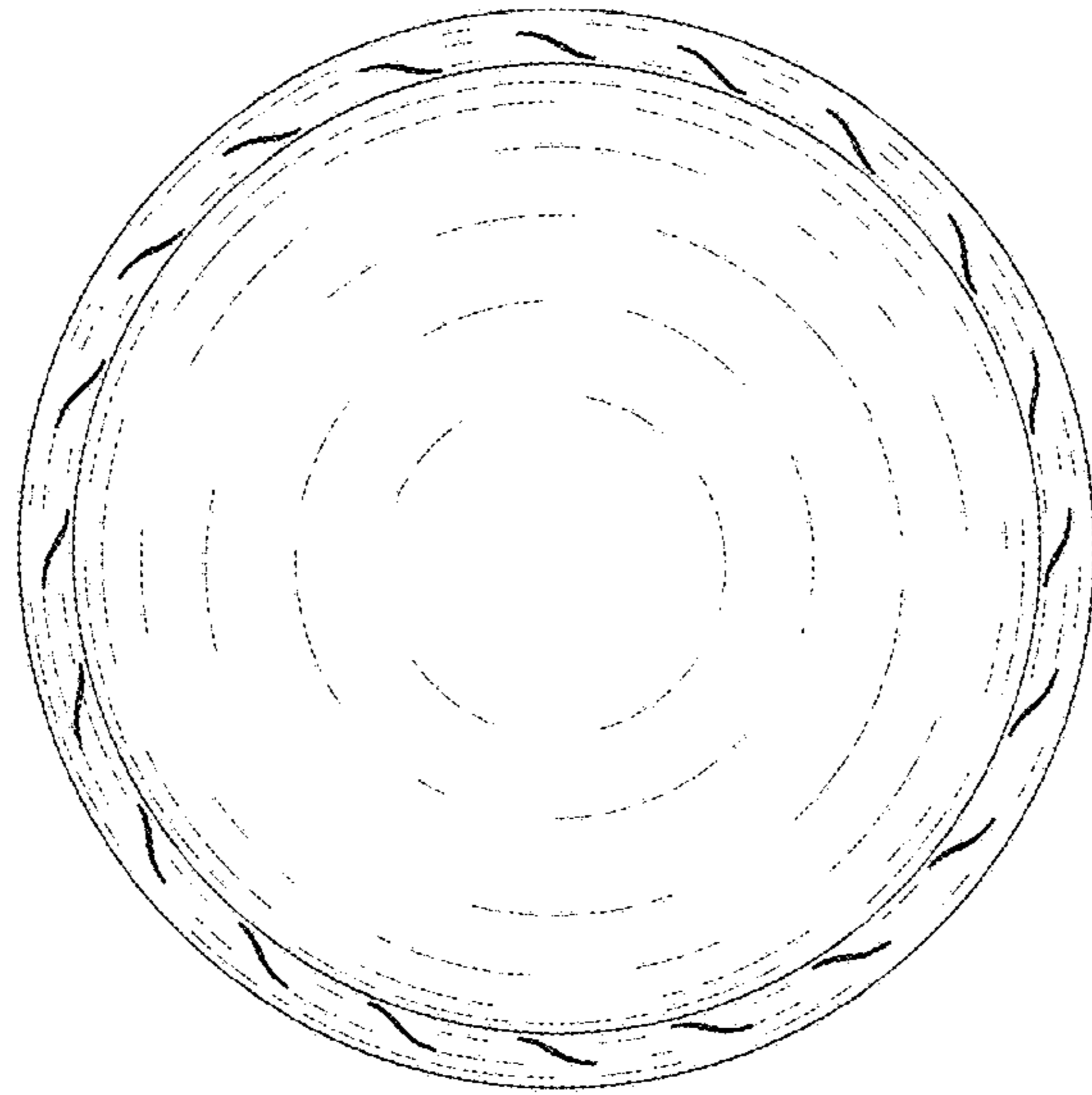


FIG. 8

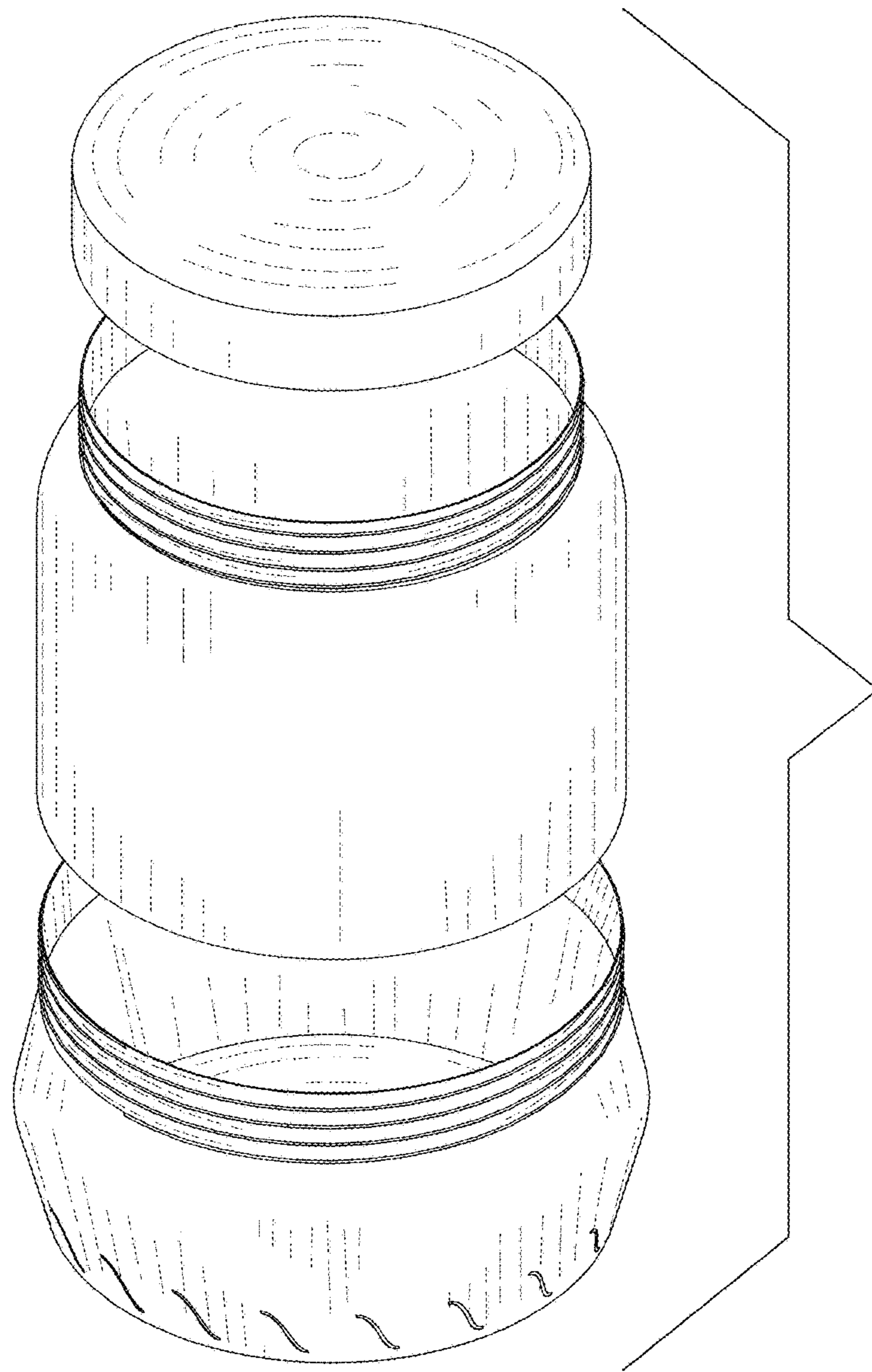


FIG. 9

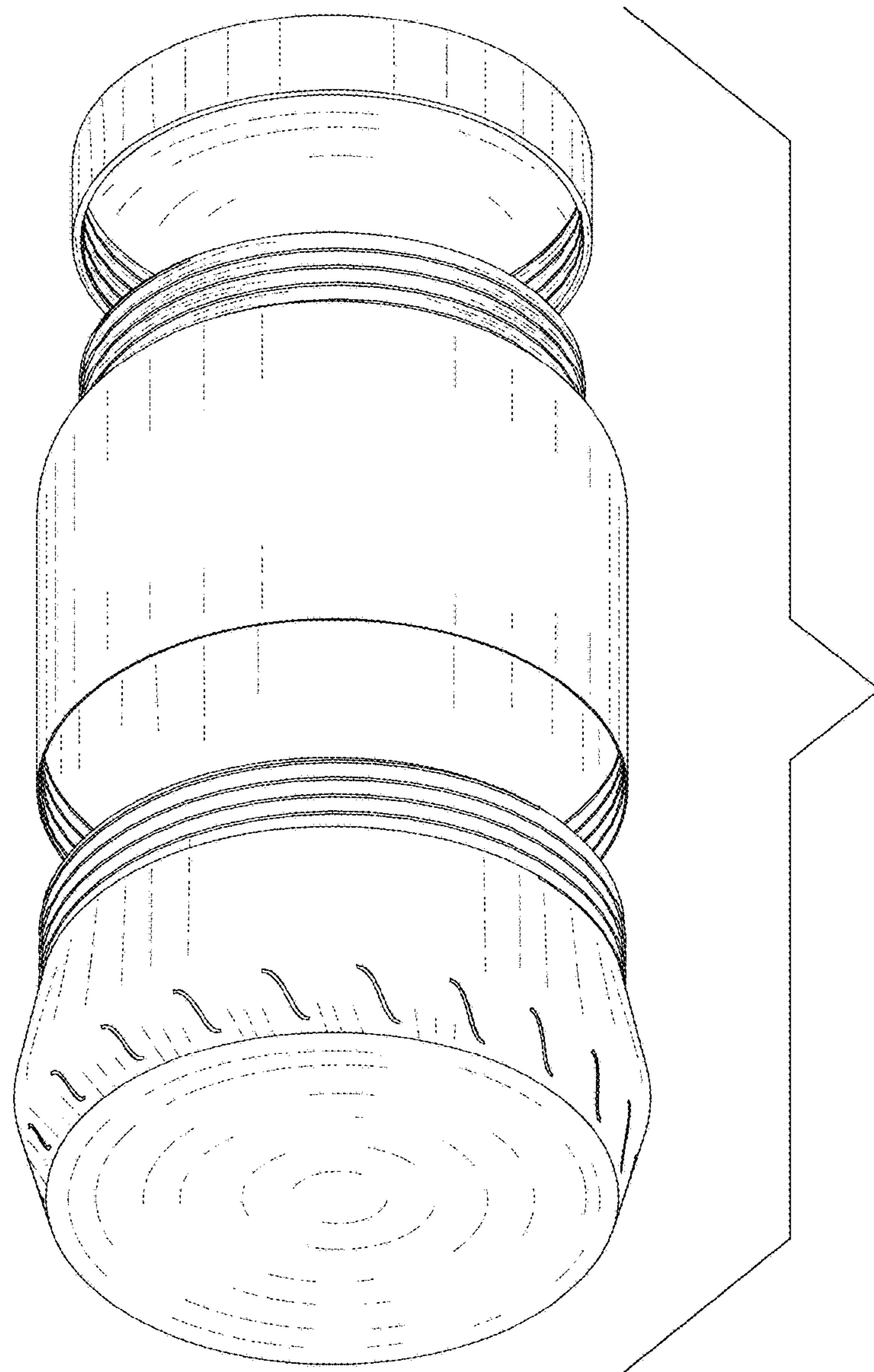


FIG. 10