



US00D846406S

(12) **United States Design Patent**
Caponegri et al.

(10) **Patent No.:** **US D846,406 S**

(45) **Date of Patent:** **** Apr. 23, 2019**

(54) **FLASK WITH CAP**

11/12; A45D 34/00; A45D 34/02; A45D
2034/005; A45D 2034/007; A45D
2200/054–2200/057

(71) Applicant: **Natura Cosméticos S.A.**, São Paulo
(BR)

See application file for complete search history.

(72) Inventors: **Rafael Aparecido Caponegri**, São
Paulo (BR); **Flávio Barão Di Sarno**,
São Paulo (BR); **Edenilson Aldo Fadel**,
Jundiaí (BR); **Eduardo de Mattos**
Egydio, São Paulo (BR)

(56) **References Cited**

U.S. PATENT DOCUMENTS

D100,366	S	*	7/1936	Fuerst	D9/550
D104,474	S	*	5/1937	Roehrich	D9/567
D120,265	S	*	4/1940	Higgins	D9/571
D215,817	S	*	11/1969	Gorman et al.	D9/687
D266,961	S	*	11/1982	Ballerud	D28/5
4,371,087	A	*	2/1983	Saujet	A45D 34/02 215/12.1

(73) Assignee: **NATURA COSMÉTICOS S.A.**, São
Paulo—SP (BR)

(**) Term: **15 Years**

(Continued)

(21) Appl. No.: **29/604,435**

Primary Examiner — Catherine A Tuttle

(22) Filed: **May 17, 2017**

(74) *Attorney, Agent, or Firm* — B. Aaron Schulman,
Esq.; Stites & Harbison, PLLC

(30) **Foreign Application Priority Data**

(57) **CLAIM**

The ornamental design for a flask with cap, as shown and
described.

Nov. 17, 2016 (BR) 302016005309-0

DESCRIPTION

(51) **LOC (11) Cl.** **09-01**

(52) **U.S. Cl.**
USPC **D9/694**

(58) **Field of Classification Search**
USPC D9/682–694, 715, 719, 516, 517, 521,
D9/529, 544–546, 550, 553, 554, 556,
D9/557, 558, 559, 560, 562, 563, 566,
D9/567, 569, 570, 571–575, 434–436,
D9/444, 448; D28/76, 77, 91.1

CPC . B05B 11/00; B05B 11/0005; B05B 11/0027;
B05B 11/0035; B05B 11/0037; B05B
11/0054; B05B 11/0056; B05B 11/0097;
B05B 11/30; B05B 11/3001; B05B
11/3052; B65D 83/14; B65D 83/20;
B65D 83/205; B65D 83/22; B65D 83/38;
B65D 83/384; B65D 83/386; B65D
83/40; B65D 11/10; B65D 11/105; B65D

FIG. 1 is a perspective view showing the new design for the
flask with cap;

FIG. 2 is a front view of the flask with cap shown in FIG.
1;

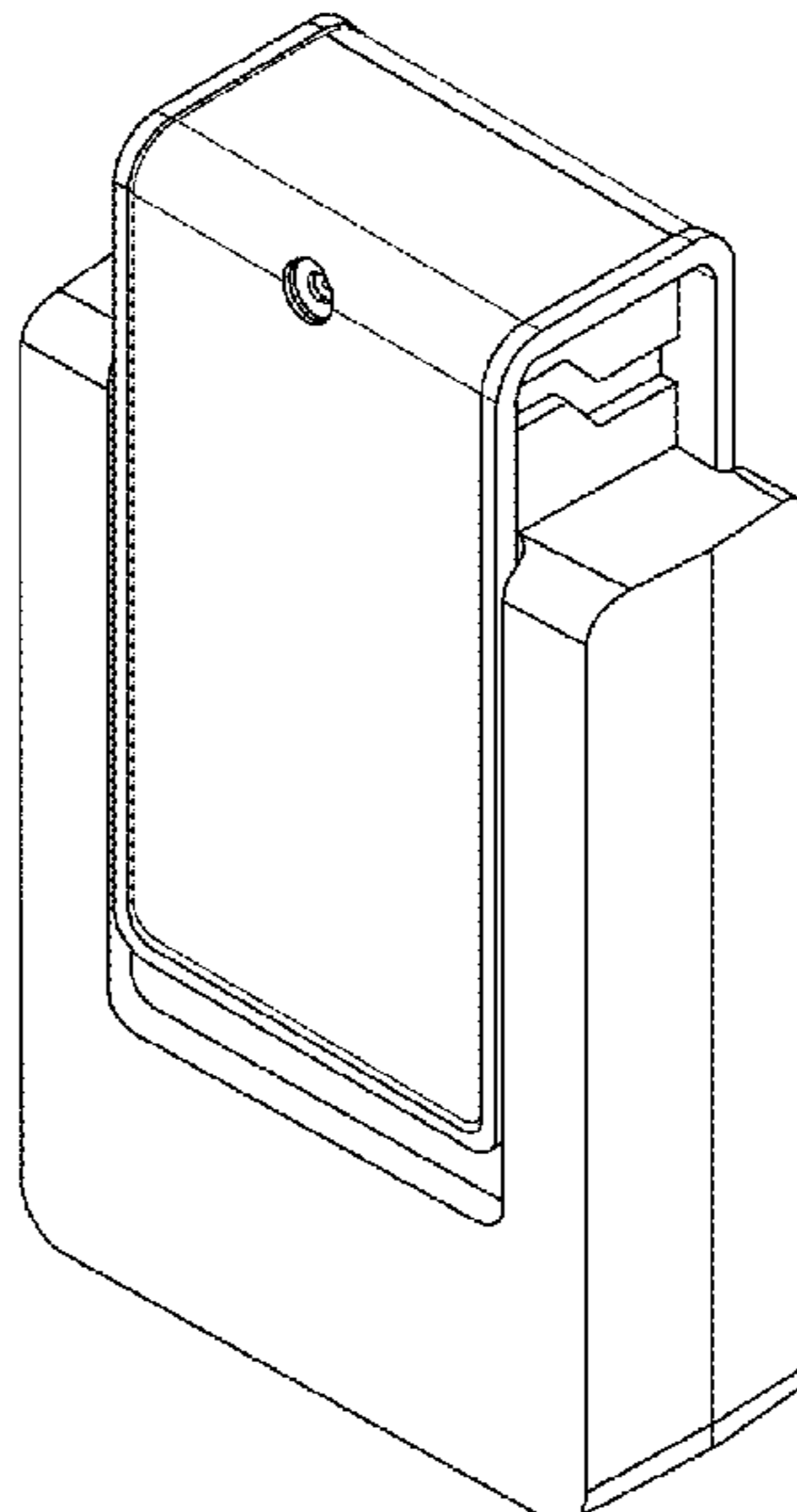
FIG. 3 is a rear view of the flask with cap shown in FIG. 1;
FIG. 4 is a right side view of the flask with cap shown in
FIG. 1;

FIG. 5 is a top view of the flask with cap shown in FIG. 1;
FIG. 6 is a left side view of the flask with cap shown in FIG.
1; and,

FIG. 7 is a bottom view of the flask with cap shown in FIG.
1.

The broken line shown in FIG. 7 is included for the purpose
of illustrating the portion of the bottom surface that forms no
part of the claimed design.

1 Claim, 2 Drawing Sheets



(56)

References Cited

U.S. PATENT DOCUMENTS

D270,864 S * 10/1983 Martinez D28/5
D271,245 S * 11/1983 Martinez D28/5
4,662,541 A * 5/1987 Fossati A45D 34/02
222/135
D290,341 S * 6/1987 Durand D9/544
5,169,029 A * 12/1992 Behar B05B 11/3084
128/200.23
D352,891 S * 11/1994 Lalique D9/544
5,927,548 A * 7/1999 Villaveces A45F 5/02
222/175
D437,232 S * 2/2001 Jones D9/435
6,349,855 B1 * 2/2002 Borri A45D 34/02
222/182
D463,264 S * 9/2002 De Baschmakoff D9/687
D466,403 S * 12/2002 Haas D9/687
D593,420 S * 6/2009 Augenbraun D9/529
D715,155 S * 10/2014 Meyers D9/687
2004/0076462 A1 * 4/2004 Grandmottet A45D 34/02
401/55
2008/0023575 A1 * 1/2008 Trumble B05B 11/0037
222/135
2009/0032550 A1 * 2/2009 Touron B05B 11/0005
222/39
2009/0057331 A1 * 3/2009 Fryan A47K 10/32
221/96
2011/0289890 A1 * 12/2011 Floyd B65D 83/205
53/492
2018/0133734 A1 * 5/2018 Caponegri B05B 11/3052

* cited by examiner

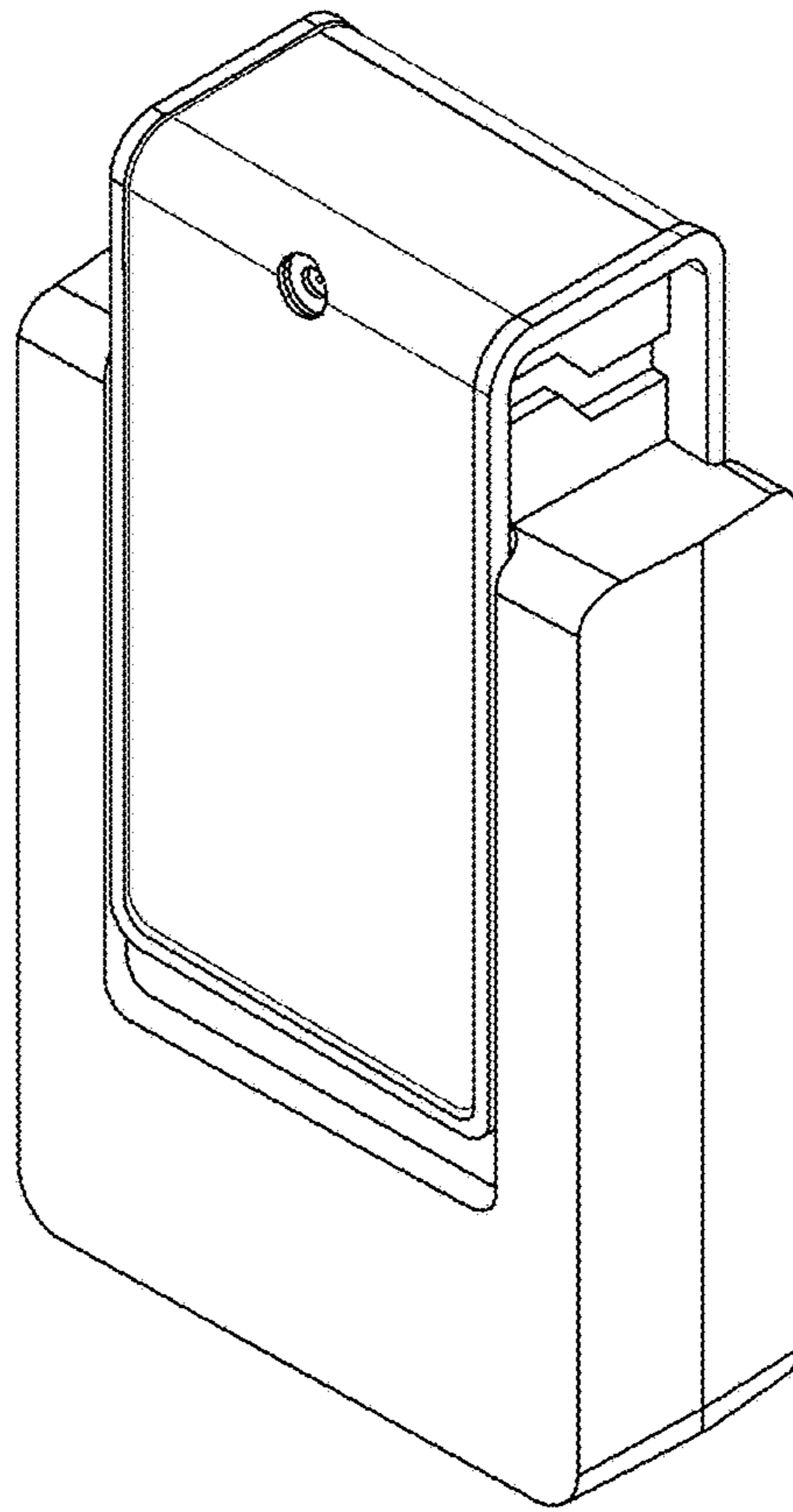


FIG. 1

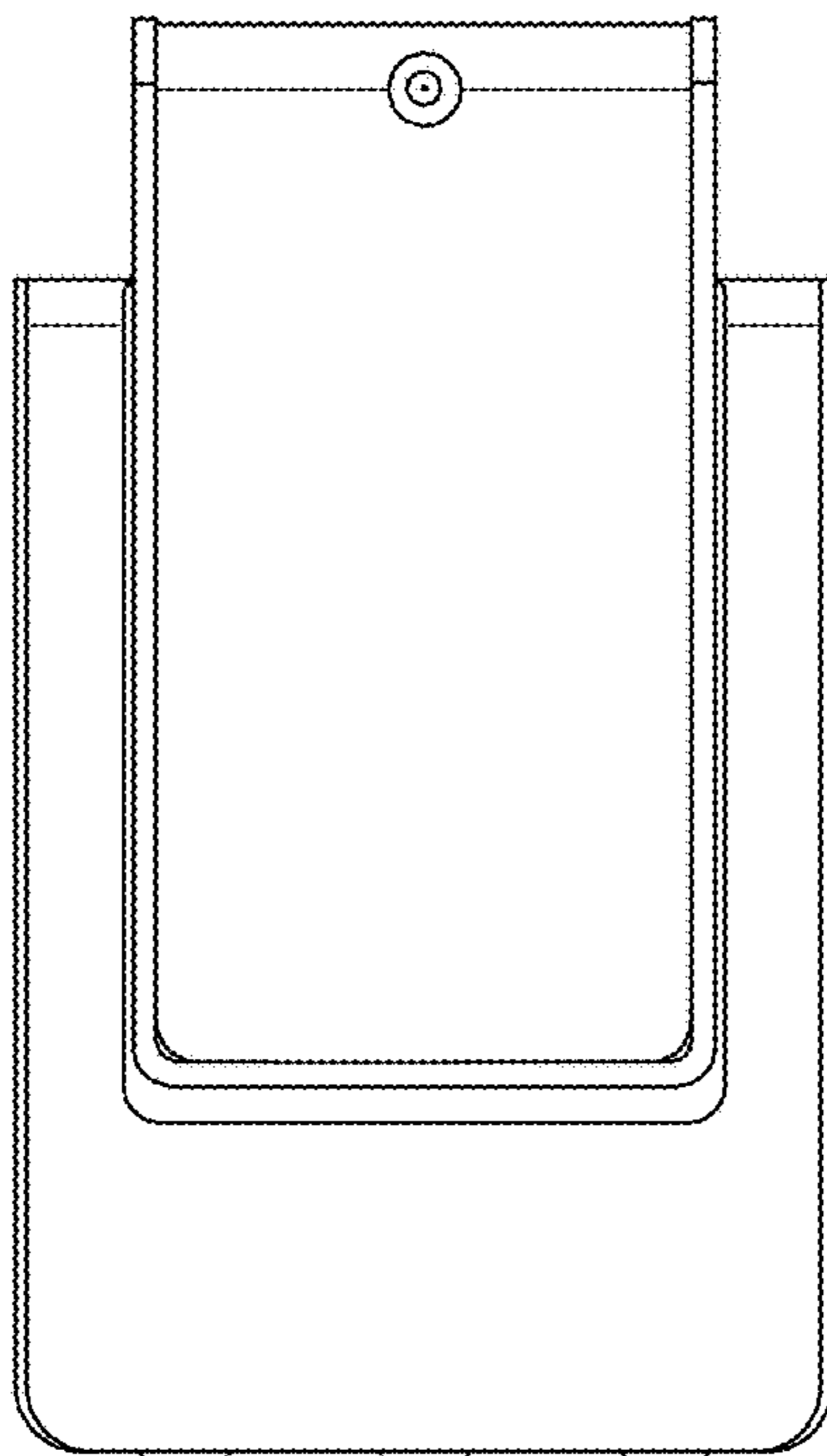


FIG. 2

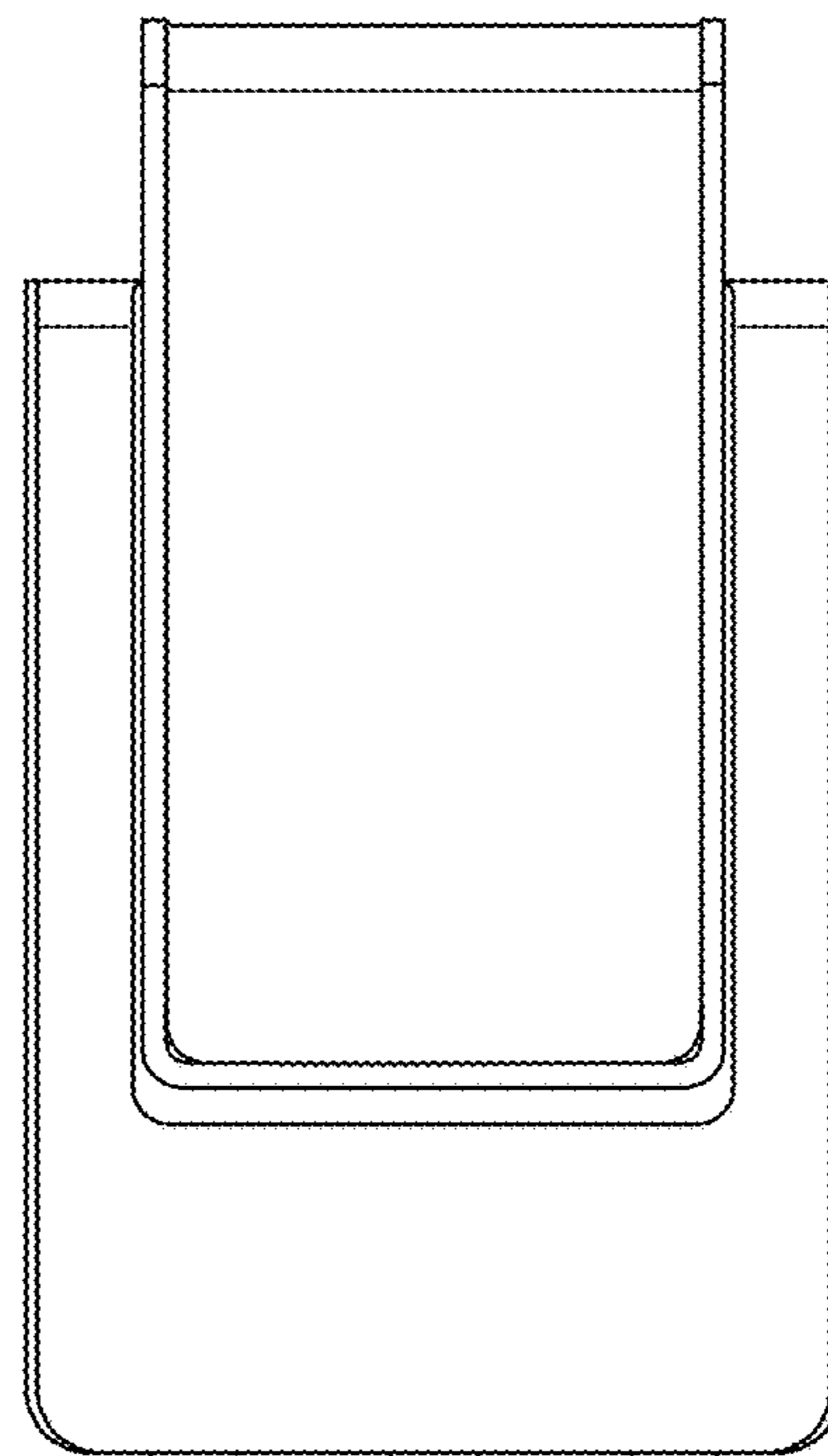


FIG. 3

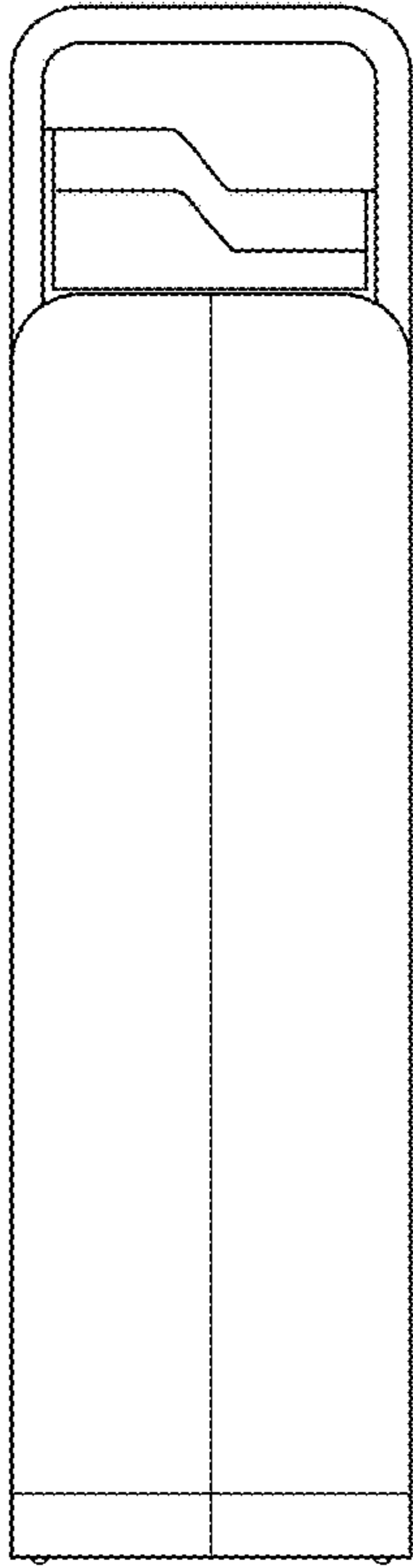


FIG. 4

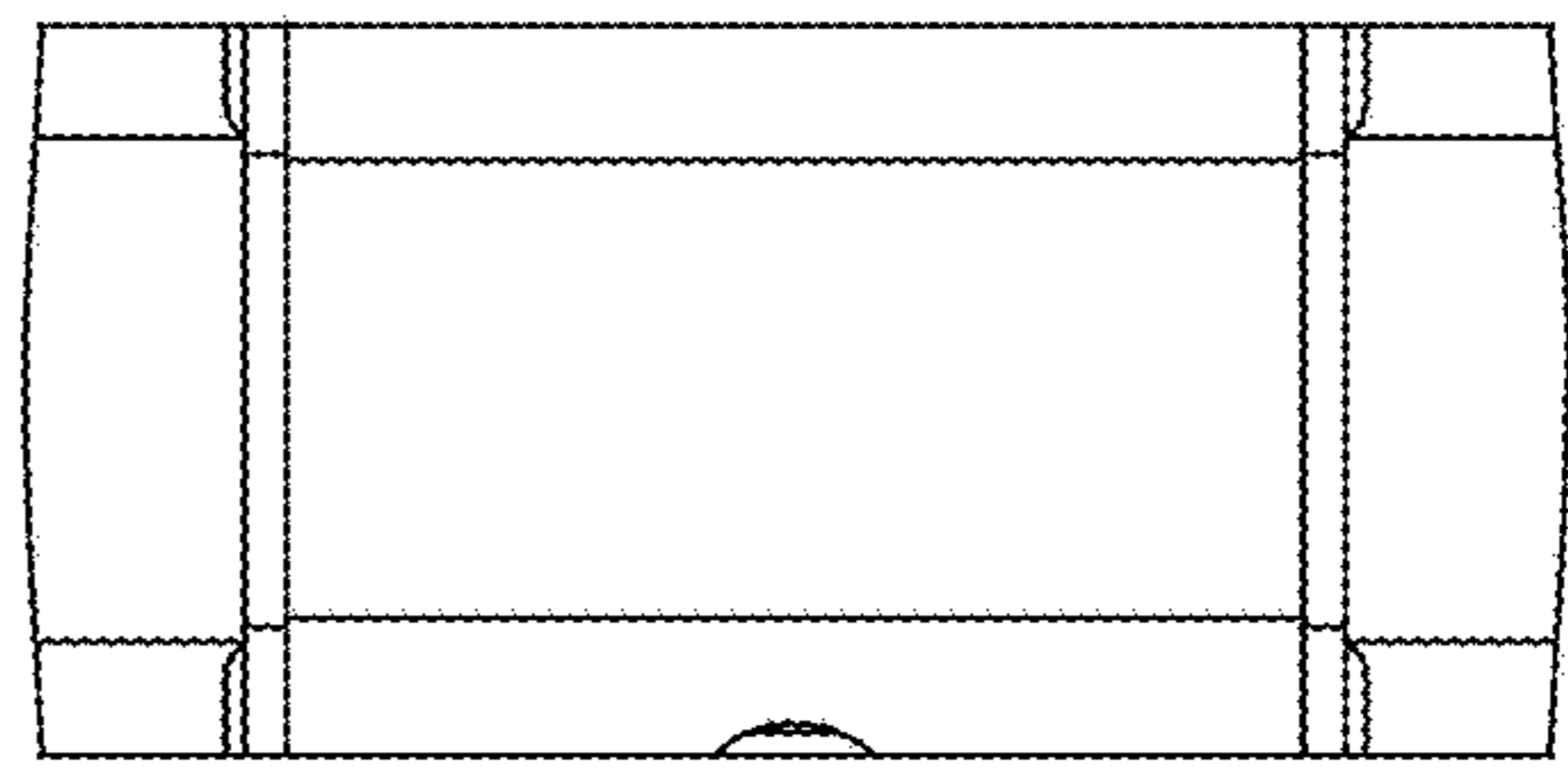


FIG. 5

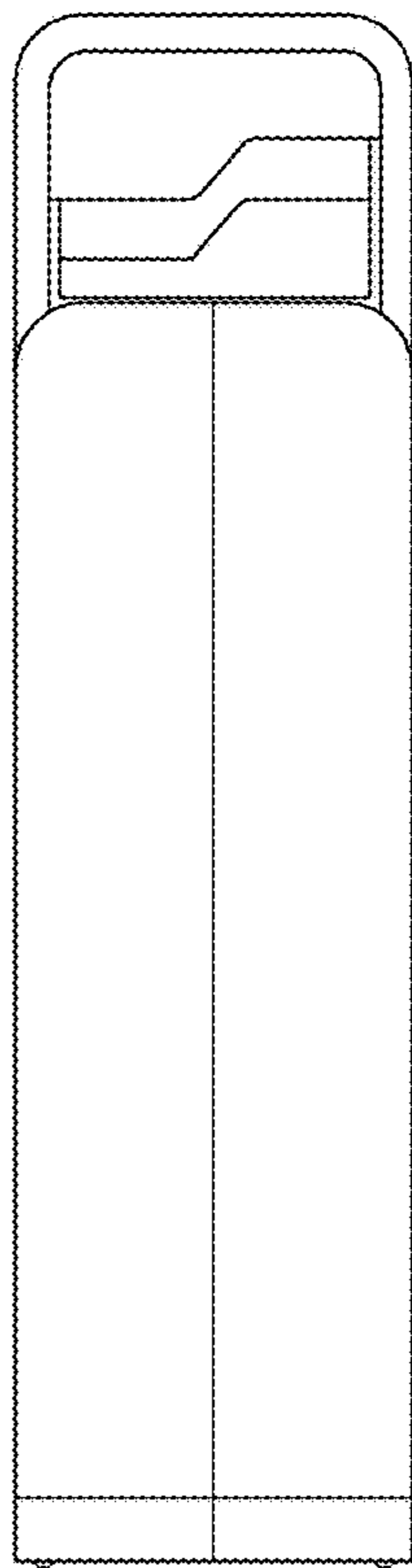


FIG. 6

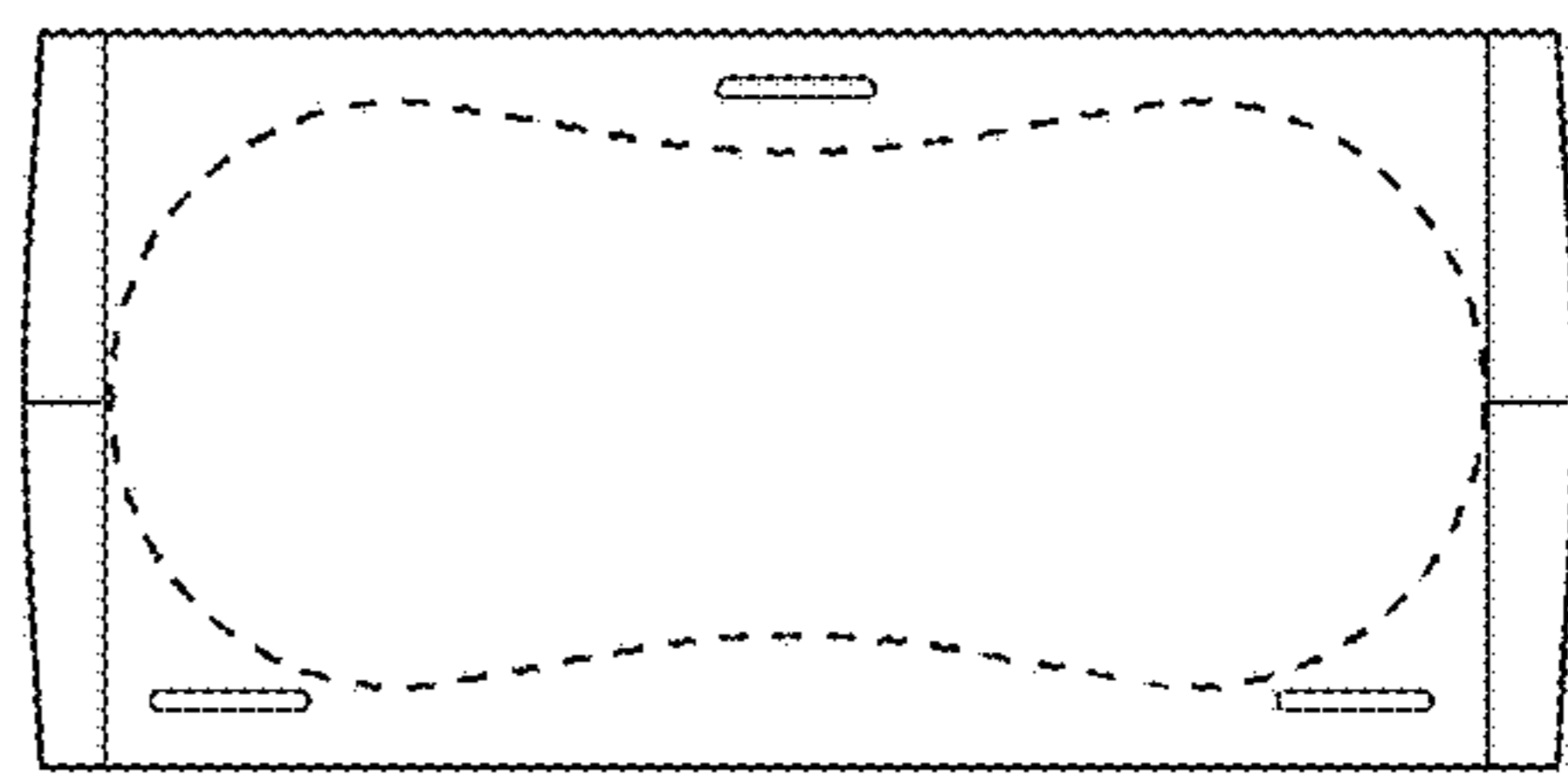


FIG. 7