

US00D846399S

(12) **United States Design Patent** (10) **Patent No.:** **US D846,399 S**  
**Hockenbury et al.** (45) **Date of Patent:** **\*\* Apr. 23, 2019**

- (54) **BOTTLE**
- (71) Applicant: **Jasper Products, L.L.C.**, Joplin, MO (US)
- (72) Inventors: **Joel David Hockenbury**, Joplin, MO (US); **Kenneth D. Haubein**, Joplin, MO (US)
- (73) Assignee: **Jasper Products, L.L.C.**, Joplin, MO (US)
- (\*\*) Term: **15 Years**
- (21) Appl. No.: **29/613,061**
- (22) Filed: **Aug. 7, 2017**
- (51) **LOC (11) Cl.** ..... **09-01**
- (52) **U.S. Cl.**  
USPC ..... **D9/560; D9/574**
- (58) **Field of Classification Search**  
USPC ..... D9/516, 520, 544, 546, 559, 560, 563, D9/574, 715, 719, 770, 776, 782; D7/300, 601, 602, 619.1  
CPC . B65D 1/00; B65D 1/02; B65D 1/023; B65D 1/0223; B65D 1/0276  
See application file for complete search history.

- D278,973 S 5/1985 Harris
  - D280,385 S 9/1985 Dinand
  - D318,612 S 7/1991 Brooks
  - D350,901 S 9/1994 Pellew-Harvey
  - D371,969 S 7/1996 Cabo et al.
  - D384,586 S \* 10/1997 Peek ..... D9/520
  - D384,887 S 10/1997 Rafflin
  - D409,497 S 5/1999 Daraut
  - D419,452 S 1/2000 DeVore
  - D427,908 S 7/2000 Bae
  - D436,033 S \* 1/2001 Croft ..... D9/541
  - D445,672 S 7/2001 Sherman et al.
  - D448,306 S \* 9/2001 de Giovellina ..... D9/560
  - D483,677 S 12/2003 Zhou
- (Continued)

**FOREIGN PATENT DOCUMENTS**

- GB 3009297 2/2003
  - WO 055635 5/2000
- (Continued)

*Primary Examiner* — Ian Simmons  
*Assistant Examiner* — Keith Frank  
(74) *Attorney, Agent, or Firm* — Hovey Williams LLP

(57) **CLAIM**

The ornamental design for a bottle, as shown and described.

**DESCRIPTION**

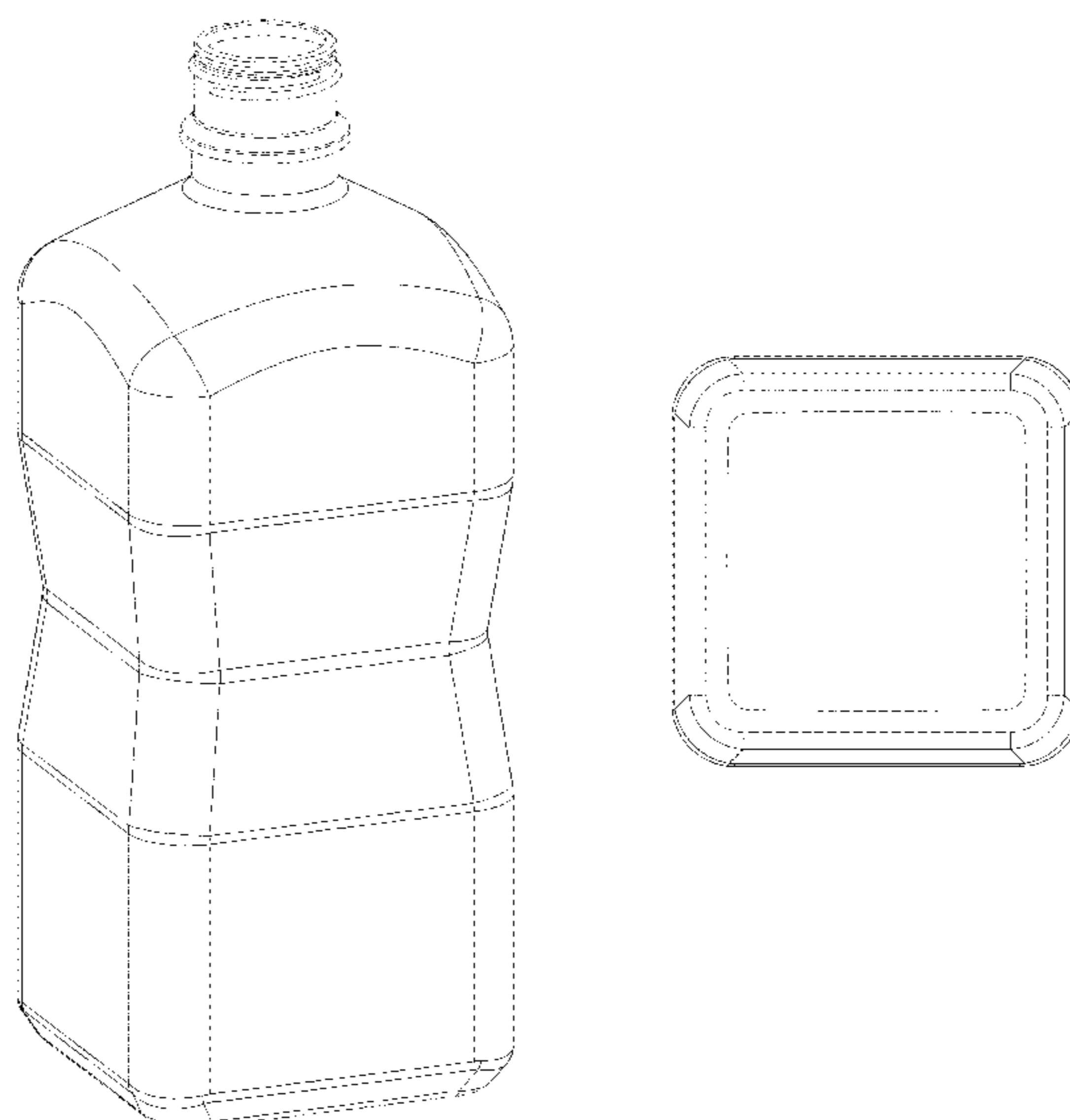
FIG. 1 is a top perspective view of a bottle showing the new design;  
FIG. 2 is a front, elevation view thereof;  
FIG. 3 is a top plan view thereof; and,  
FIG. 4 is a bottom plan view thereof.  
The broken lines in the drawings illustrate the portions of the bottle that form no part of the claimed design. The broken lines at the bottom of FIG. 1 and FIG. 2 and the outermost broken line in FIG. 4 define the bounds of the claimed design and form no part thereof.

**1 Claim, 3 Drawing Sheets**

(56) **References Cited**

**U.S. PATENT DOCUMENTS**

- D19,107 S 5/1889 Gulden
- D53,324 S \* 5/1919 Vaughn ..... D7/300
- D148,078 S 12/1947 Lelong
- D157,488 S 2/1950 Graf
- D163,105 S 5/1951 Ellena
- D211,978 S 8/1968 Douglas
- 3,536,500 A \* 10/1970 Cleereman ..... B65D 1/0223  
215/382
- 3,823,032 A 7/1974 Ukai
- D243,442 S 2/1977 Montgomery
- D259,920 S 7/1981 Honeos



(56)

References Cited

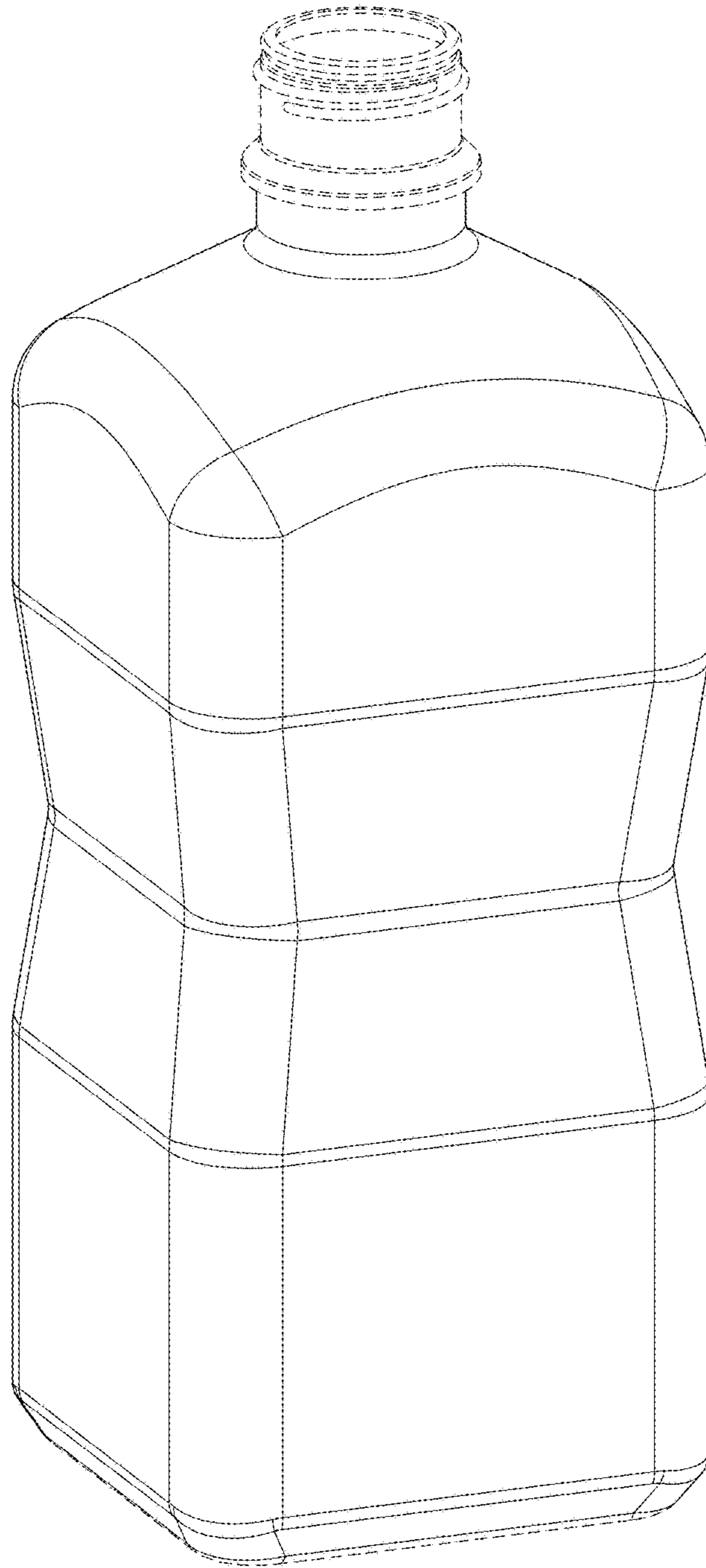
U.S. PATENT DOCUMENTS

D494,854	S	8/2004	Matauch	
6,769,561	B2	8/2004	Futral et al.	
7,055,706	B2	6/2006	Kurs	
D529,805	S	10/2006	Cadena	
D530,202	S	10/2006	Herald et al.	
D556,050	S *	11/2007	Gottlieb .....	D9/566
D558,054	S	12/2007	Melrose et al.	
D572,134	S	7/2008	Bourne	
D577,601	S	9/2008	Kao	
D581,274	S	11/2008	Xanthos	
D598,772	S *	8/2009	Yourist .....	D9/541
D603,715	S *	11/2009	Serrano Diaz .....	D9/544
D620,363	S	7/2010	Barsoumian	
D620,369	S *	7/2010	Servaire .....	D9/435
D632,182	S *	2/2011	Russell .....	D9/560
D633,793	S *	3/2011	Reagan .....	D9/500
D633,805	S *	3/2011	Servaire .....	D9/435
D640,560	S	6/2011	Snyder	
D655,181	S *	3/2012	Kraft .....	D9/560
D739,759	S *	9/2015	Warner .....	D9/560
D752,443	S *	3/2016	Schlies .....	D9/530
D784,821	S *	4/2017	Kuzma .....	D9/560
D805,903	S *	12/2017	Warner .....	D9/502
2005/0023185	A1	2/2005	Ramet	
2009/0057263	A1 *	3/2009	Barker .....	B65D 1/44 215/381
2010/0270259	A1 *	10/2010	Russell .....	B65D 1/0246 215/382
2015/0001172	A1 *	1/2015	Geithmann .....	B65D 1/0246 215/42

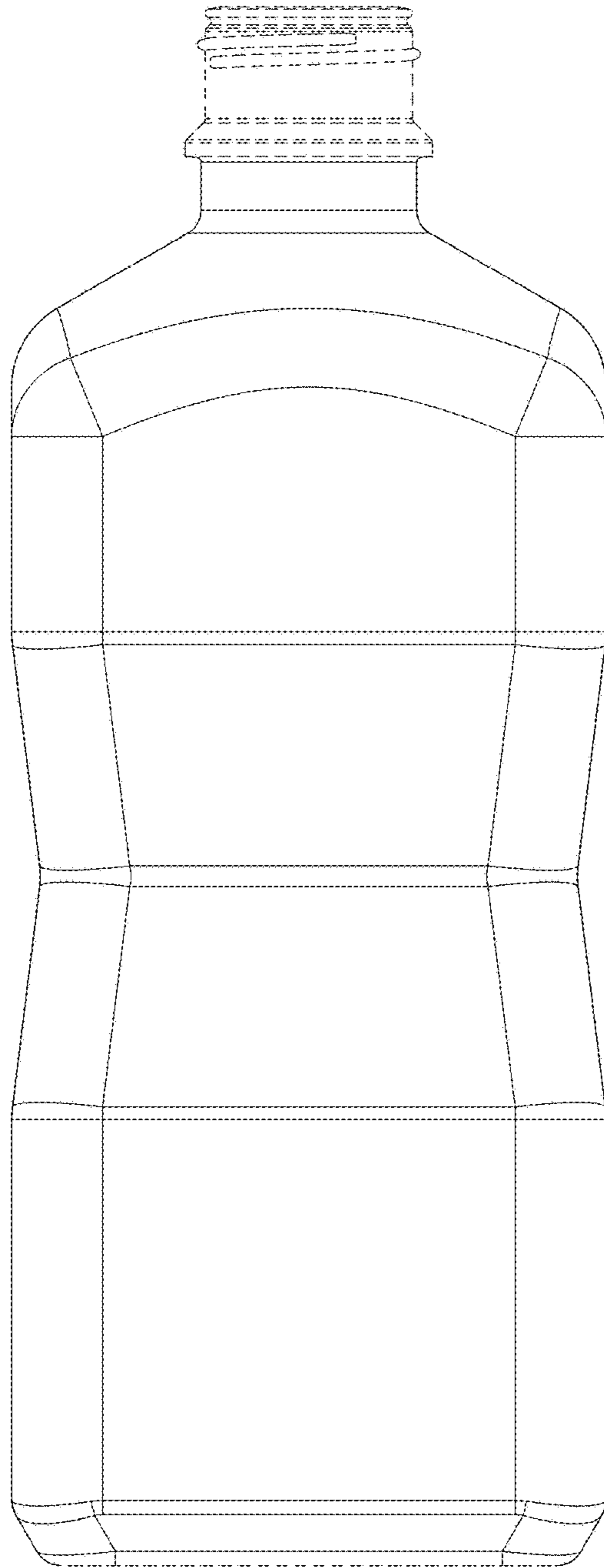
FOREIGN PATENT DOCUMENTS

WO	059325	7/2001
WO	059693	2/2002

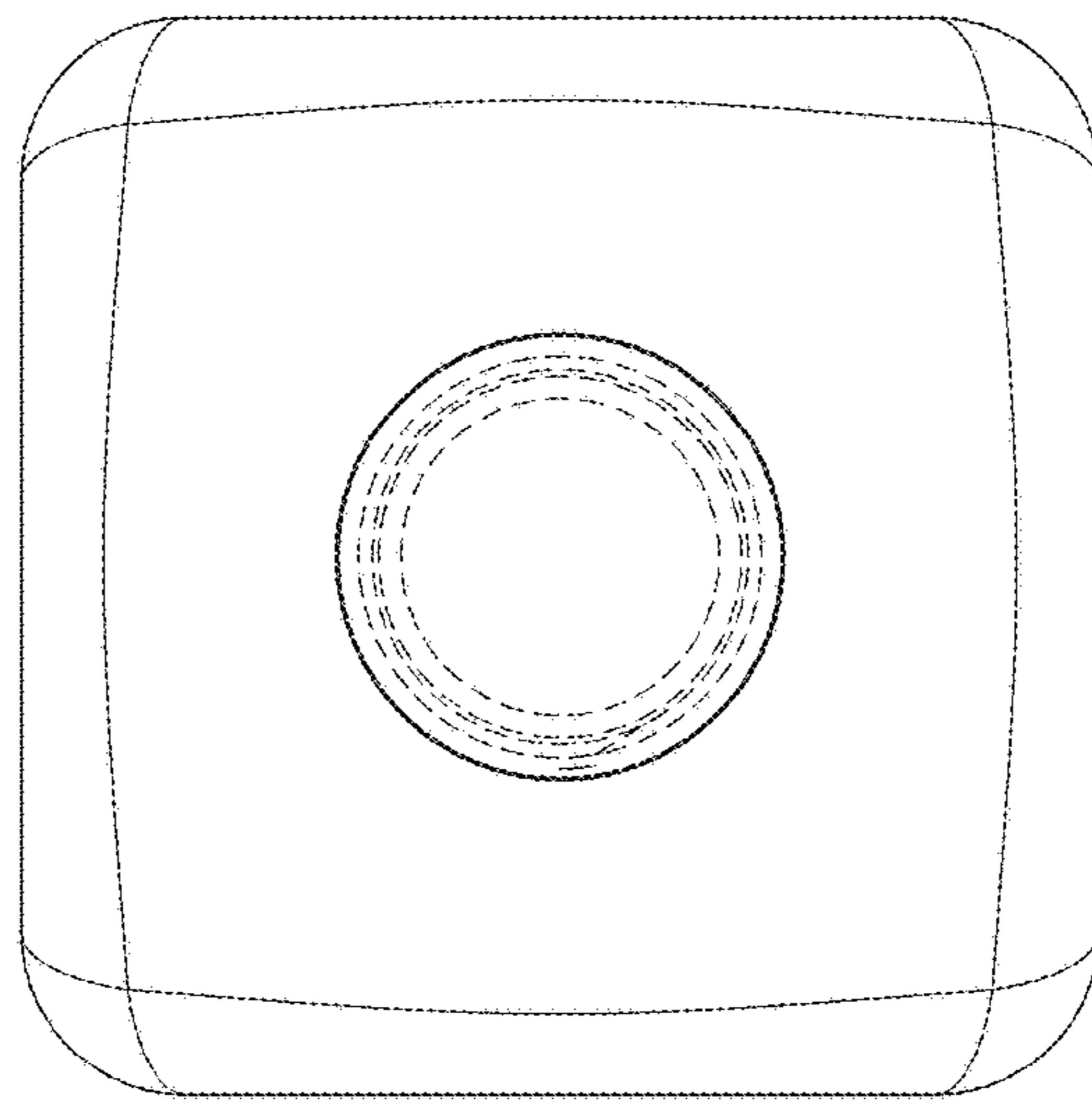
\* cited by examiner



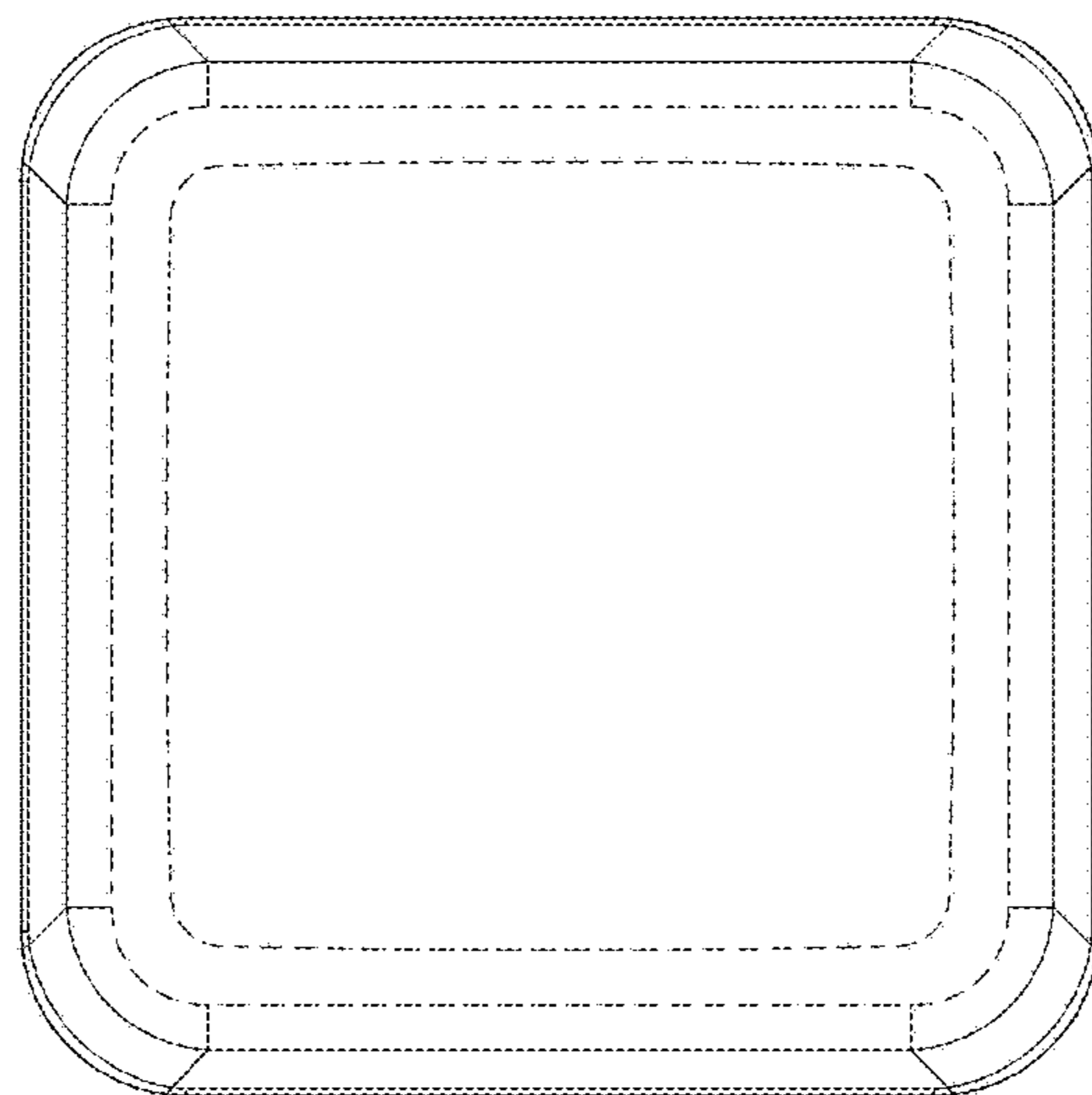
*Fig. 1.*



*Fig. 2.*



*Fig. 3.*



*Fig. 4.*