



US00D846398S

(12) **United States Design Patent**  
**Wilson et al.**

(10) **Patent No.: US D846,398 S**

(45) **Date of Patent: \*\* Apr. 23, 2019**

(54) **CONTAINER WITH THREE DOOR LID**

(71) Applicant: **MCCORMICK & COMPANY, INCORPORATED**, Hunt Valley, MD (US)

(72) Inventors: **Tracie L. C. Wilson**, Westminster, MD (US); **Darin Pugne**, Carnegie, PA (US); **Adam Beaty**, Lebanon, TN (US); **Don Ankney**, Stanford, KY (US); **Ron Myers**, Jackson, TN (US); **Thomas Koll Porter Gieske**, Lutherville, MD (US)

(73) Assignee: **MCCORMICK & COMPANY, INCORPORATED**, Hunt Valley, MD (US)

(\*\*) Term: **15 Years**

(21) Appl. No.: **29/578,130**

(22) Filed: **Sep. 19, 2016**

(51) **LOC (11) Cl. .... 09-01**

(52) **U.S. Cl.**  
USPC ..... **D9/529**; D9/449; D9/560; D9/575

(58) **Field of Classification Search**  
USPC ..... D9/414, 421, 518, 520, 524, 529, 560, D9/563, 572, 575, 715, 741, 763, 779, D9/780  
CPC ..... B65D 2543/00194; B65D 2543/00805; B65D 2543/00694; B65D 43/163; B65D 83/06

See application file for complete search history.

(56) **References Cited**

**U.S. PATENT DOCUMENTS**

844,640 A 2/1907 West  
961,991 A 6/1910 Ullrich  
1,134,427 A 4/1915 Ullrich  
1,141,535 A 6/1915 Freundt

(Continued)

*Primary Examiner* — Ian Simmons

*Assistant Examiner* — Keith Frank

(74) *Attorney, Agent, or Firm* — Greenblum & Bernstein, P.L.C.

(57) **CLAIM**

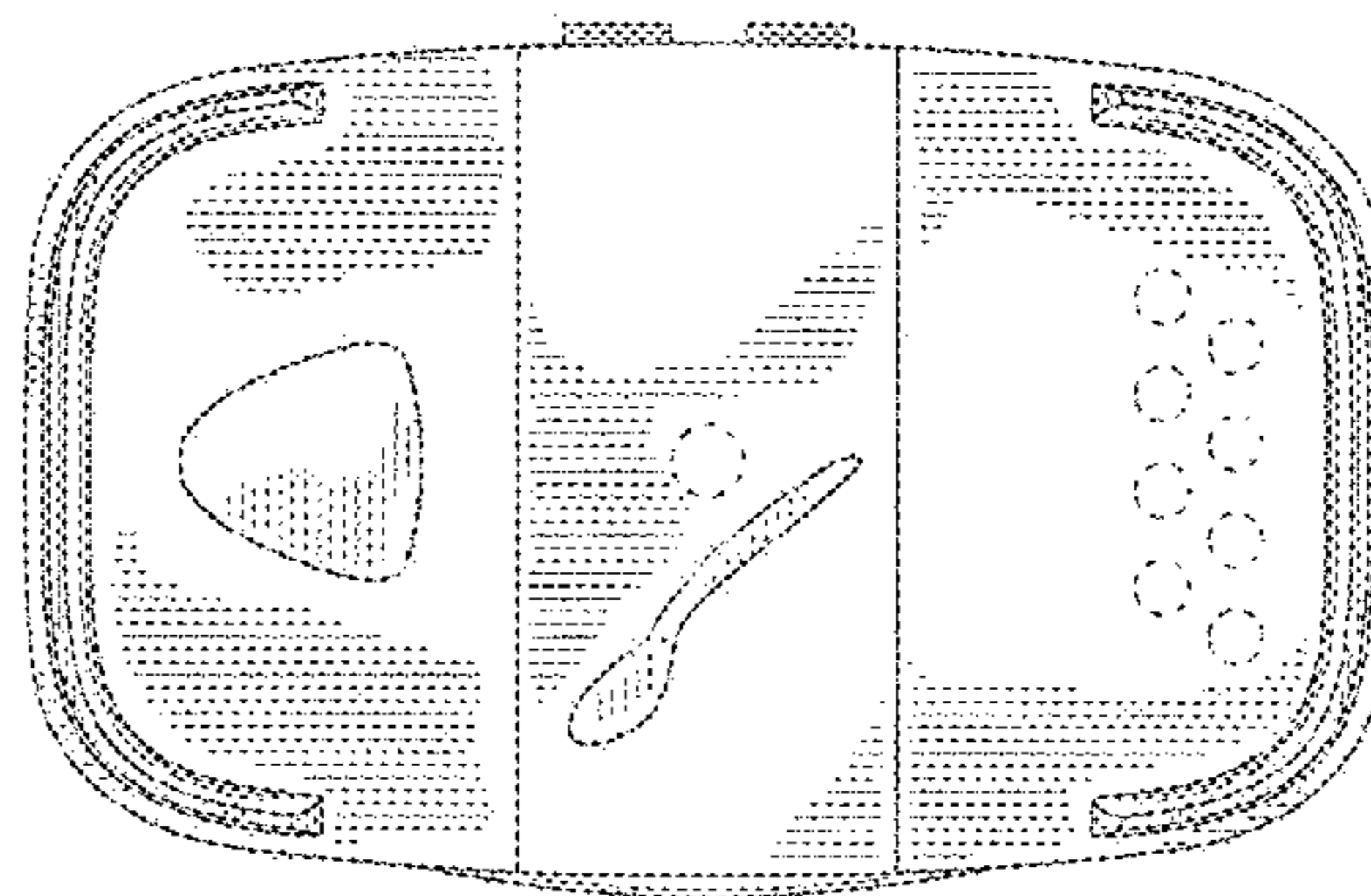
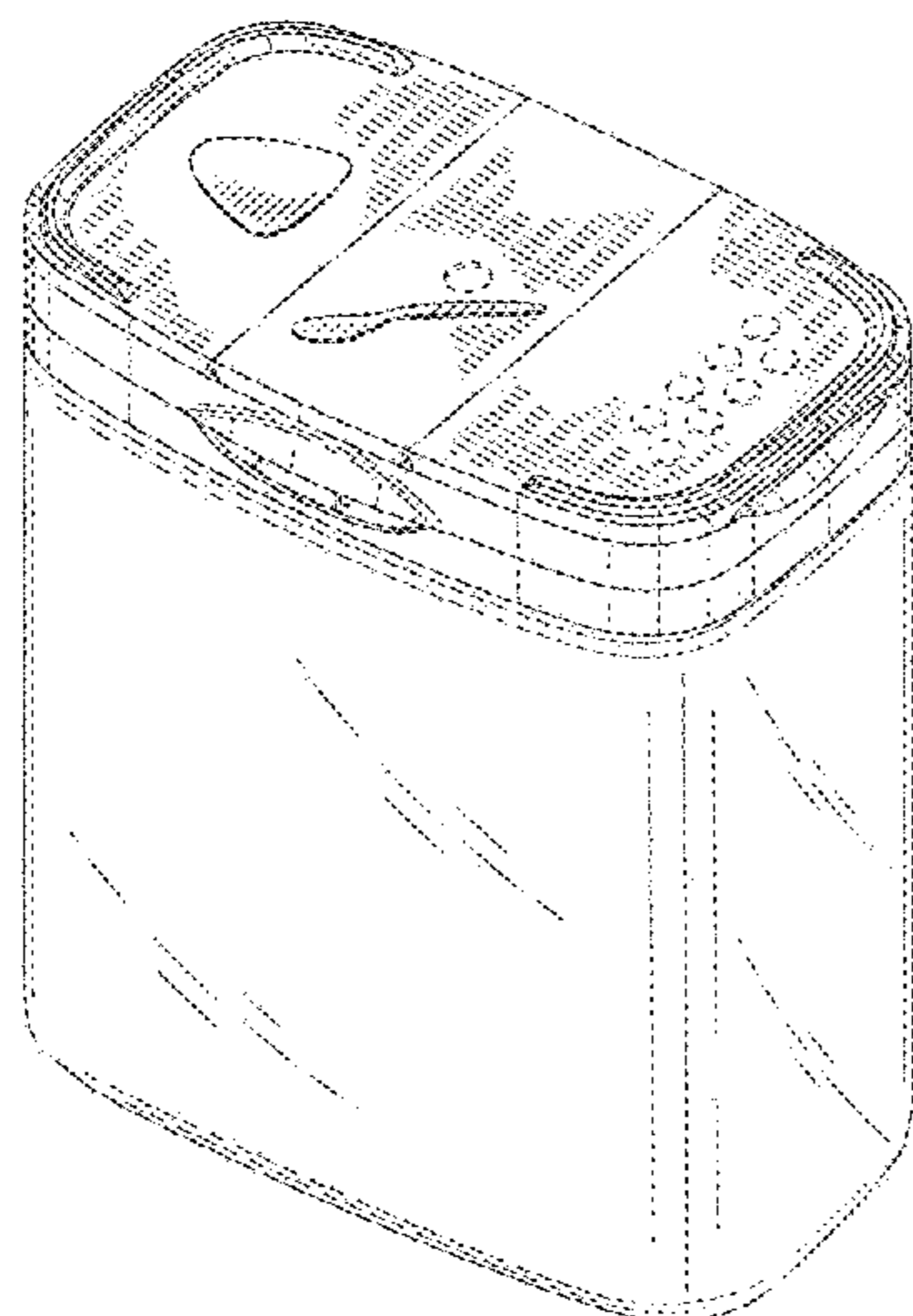
We claim the ornamental design for a container with three door lid, as shown and described.

**DESCRIPTION**

FIG. 1 is a front top right side perspective view of our new container with a three door lid;  
FIG. 2 is a front elevation view thereof;  
FIG. 3 is a rear elevation view thereof;  
FIG. 4 is a right side elevation view thereof;  
FIG. 5 is a left side elevation view thereof;  
FIG. 6 is a top plan view thereof;  
FIG. 7 is a bottom plan view thereof;  
FIG. 8 is a front elevation view of the container with the three door lid of FIG. 1 with the lid main door shown open 90 degrees;  
FIG. 9 is a rear elevation view thereof;  
FIG. 10 is a right elevation view thereof;  
FIG. 11 is a top plan view thereof;  
FIG. 12 is a front elevation view of FIG. 1 with two side lid doors shown open 90 degrees;  
FIG. 13 is a rear elevation view thereof;  
FIG. 14 is a right elevation view thereof;  
FIG. 15 is a left elevation view thereof;  
FIG. 16 is a top plan view thereof; and,  
FIG. 17 is a front elevation view of a second embodiment of a container with three door lid. FIG. 17 depicts a symbolic break in the container with three door lid and any portion of the article between the break lines forms no part of the claimed design.

The broken lines in the drawings showing the container with three door lid illustrate the portions of the container with three door lid that form no part of the claimed design.

**1 Claim, 17 Drawing Sheets**



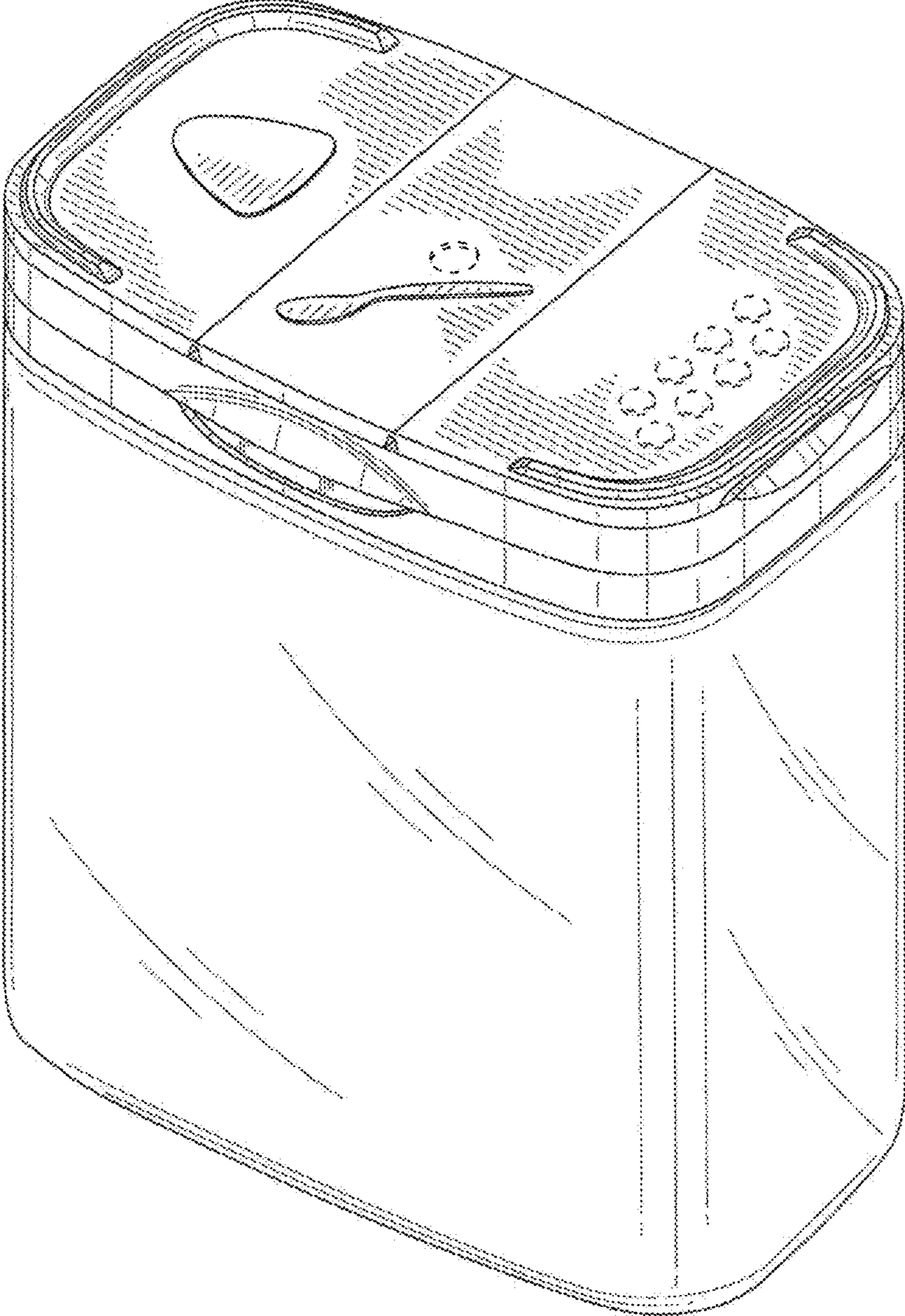
(56)

References Cited

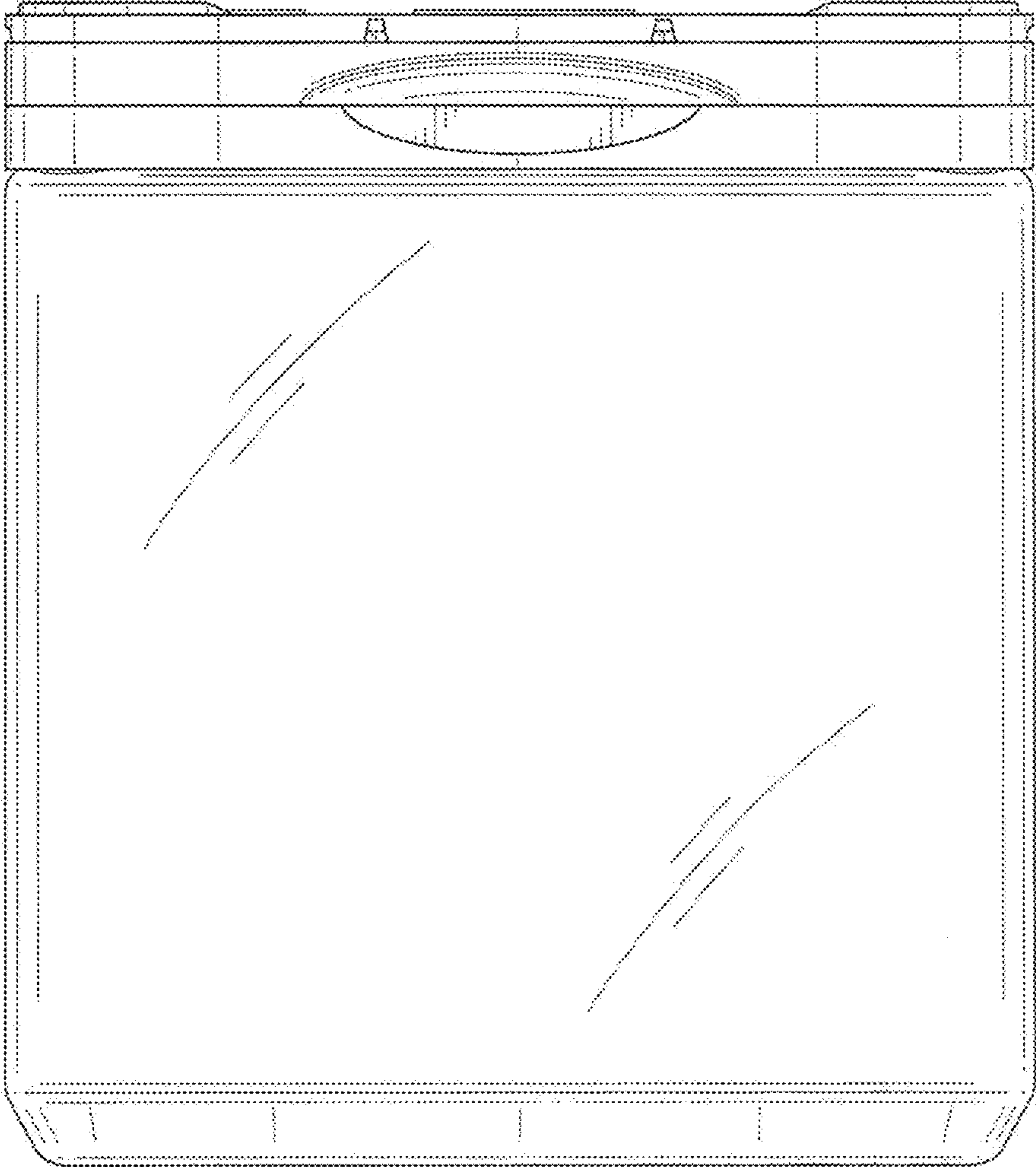
U.S. PATENT DOCUMENTS

1,184,549 A	5/1916	McClung	5,353,946 A	10/1994	Behrend
1,295,997 A	3/1919	Mennen	5,482,172 A	1/1996	Braddock
1,658,348 A	2/1928	Leonard	5,636,732 A	6/1997	Gilels
1,767,781 A	6/1930	Aubach	5,730,785 A	3/1998	Idol
1,803,799 A	5/1931	Charles	5,897,036 A	4/1999	Decoster
1,894,575 A	1/1933	Sherman	6,068,153 A	5/2000	Young
1,959,874 A	5/1934	Mills	6,196,412 B1	3/2001	Cattell
2,045,855 A	6/1936	Hovey	D442,086 S	5/2001	Mozes
2,046,929 A	7/1936	Charles	D446,722 S *	8/2001	Morrow ..... D7/596
2,108,045 A	2/1938	Dirker	6,341,720 B1	1/2002	Schmit
2,162,999 A	6/1939	Emil	D456,713 S	5/2002	Bried
2,167,574 A	7/1939	Lee	6,422,411 B1	7/2002	Gray
2,190,676 A	2/1940	Perry	D470,765 S	2/2003	Baker
2,235,987 A	3/1941	Emil	D473,792 S	4/2003	Diefenbach
2,241,435 A	5/1941	White	D474,402 S	5/2003	Baerenwald
2,273,998 A	2/1942	Rueger	6,561,391 B1	5/2003	Baker
2,273,999 A	2/1942	Rueger	6,575,323 B1	6/2003	Martin
2,283,245 A	5/1942	White	D491,065 S *	6/2004	Solowiejko ..... D9/435
2,287,747 A	6/1942	Frank	D492,200 S *	6/2004	Solowiejko ..... D9/416
2,310,271 A	2/1943	Ziehmer	D494,469 S *	8/2004	Solowiejko ..... D9/435
2,324,499 A	7/1943	Erb	D494,812 S	8/2004	Tremblay
2,346,847 A	4/1944	Larson	D495,256 S *	8/2004	Solowiejko ..... D9/435
2,878,971 A	3/1959	Malachick	D497,106 S *	10/2004	Solowiejko ..... D9/518
3,127,052 A	3/1964	Mayers	6,877,631 B1	4/2005	Thomspson et al.
3,129,860 A	4/1964	Foster	6,899,245 B1	5/2005	Nelson
3,169,671 A	2/1965	Edward	D530,606 S *	10/2006	Liebe ..... D9/440
3,187,964 A	6/1965	Foster	7,114,627 B2 *	10/2006	Solowiejko ..... B65D 21/022 220/254.2
3,251,509 A	5/1966	Foster	D538,664 S	3/2007	Solowiejko
3,255,928 A	6/1966	Foster	D539,647 S	4/2007	Solowiejko
3,370,757 A	2/1968	Foster	7,258,255 B2 *	8/2007	Vogel ..... B65D 47/0847 215/237
3,589,572 A	6/1971	Hannon	D557,979 S	11/2007	Charriez
3,737,066 A	6/1973	Ames	D567,582 S	4/2008	Blum
3,817,420 A	6/1974	Heisler	D592,966 S *	5/2009	Nissen ..... D9/560
3,872,996 A	3/1975	Dogliotti	D599,203 S	9/2009	Wilson
4,144,985 A	3/1979	Kinslow	D604,161 S	11/2009	Wilson
4,253,587 A	3/1981	Otterson	D615,862 S	5/2010	Wilson
4,369,901 A	1/1983	Hidding	8,464,886 B2 *	6/2013	Fisher ..... B65D 43/161 220/254.2
4,471,881 A *	9/1984	Foster ..... B65D 43/168 220/828	8,793,968 B2 *	8/2014	Cronin ..... B65D 43/14 156/69
4,494,679 A	1/1985	Cleevely	2001/0011649 A1	8/2001	Fujie
D278,675 S *	5/1985	Tardif ..... D7/629	2001/0035424 A1 *	11/2001	Combe ..... B29C 45/14336 220/835
4,526,291 A	7/1985	Margulies	2002/0009524 A1	1/2002	Deering
4,592,480 A	6/1986	Hart	2004/0079757 A1	4/2004	Cicccone
4,621,744 A	11/1986	Foster	2004/0079765 A1	4/2004	Gallo
4,634,019 A	1/1987	Pherigo	2005/0040168 A1	2/2005	Solowiejko
4,658,980 A	4/1987	Lindstrom	2005/0145628 A1	7/2005	Schwarz
4,723,693 A	2/1988	Decoster	2006/0144874 A1 *	7/2006	Solowiejko ..... B65D 21/022 222/480
4,724,977 A	2/1988	Cleevely	2007/0000887 A1	1/2007	Caldwell
4,724,979 A	2/1988	Cleevely	2007/0000953 A1	1/2007	Ranney
4,934,554 A	6/1990	Edwards	2007/0056972 A1	3/2007	Solowiejko
4,934,557 A	6/1990	Smith	2007/0131639 A1	6/2007	Nakaya
5,002,197 A	3/1991	Ponsi	2007/0170192 A1	7/2007	Blum
5,085,331 A	2/1992	Groya	2009/0101645 A1	4/2009	Wilson
5,103,989 A	4/1992	Druesne	2009/0101647 A1	4/2009	Newberry
5,123,561 A	6/1992	Gross	2009/0101674 A1	4/2009	Newberry
5,145,088 A	9/1992	Goujon	2010/0084399 A1	4/2010	Shieh
5,195,645 A	3/1993	Schuermann	2011/0139783 A1	6/2011	Fisher
5,211,301 A	5/1993	Groya	2011/0192847 A1	8/2011	Vandamme
5,219,087 A	6/1993	Christensson	2011/0239597 A1 *	10/2011	Wilson ..... B65D 47/0828 53/485
5,219,100 A	6/1993	Beck			
5,301,827 A	4/1994	Valyi			
5,303,839 A	4/1994	Blumenschein			
5,307,948 A	5/1994	Blackburn			

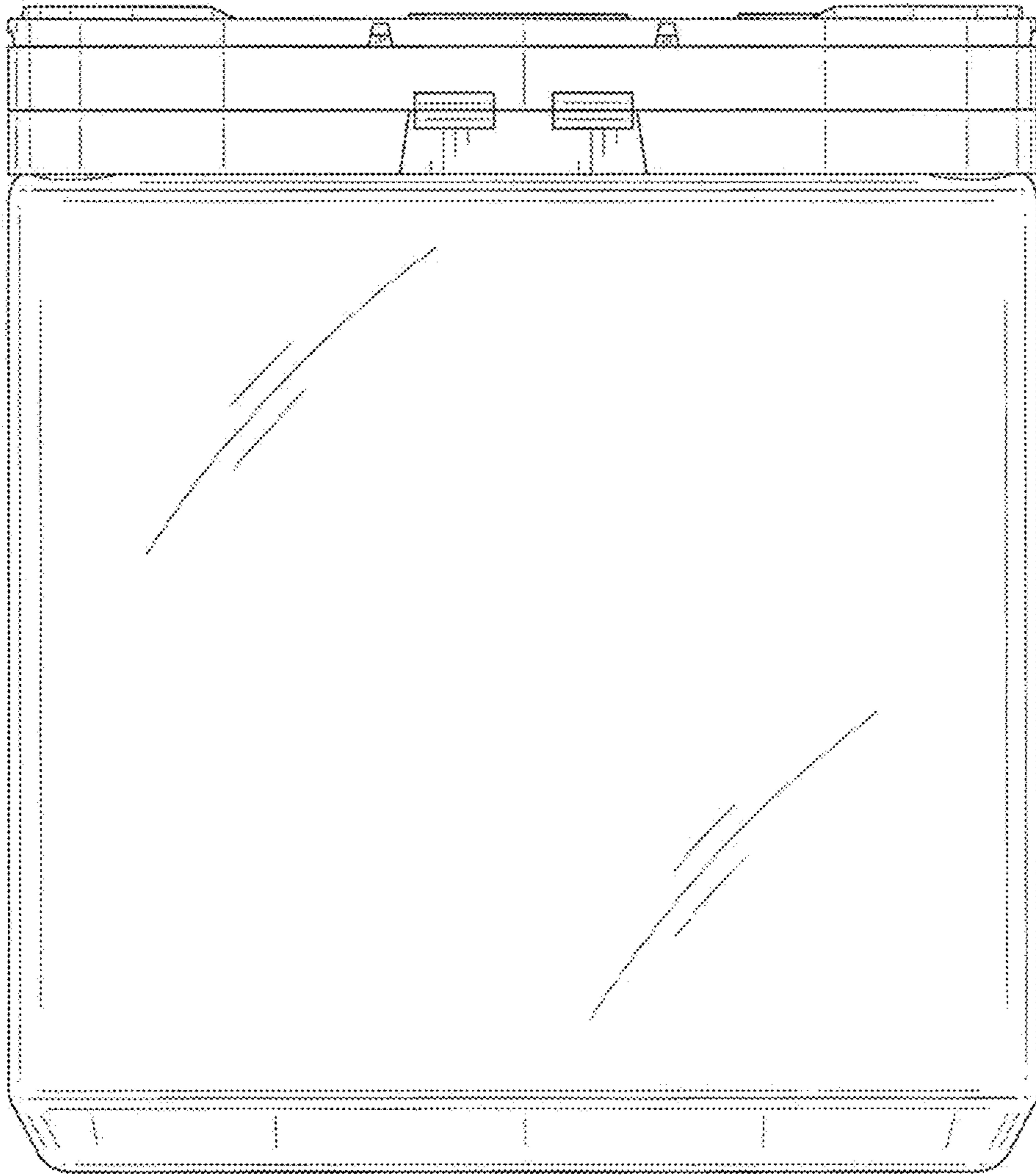
\* cited by examiner



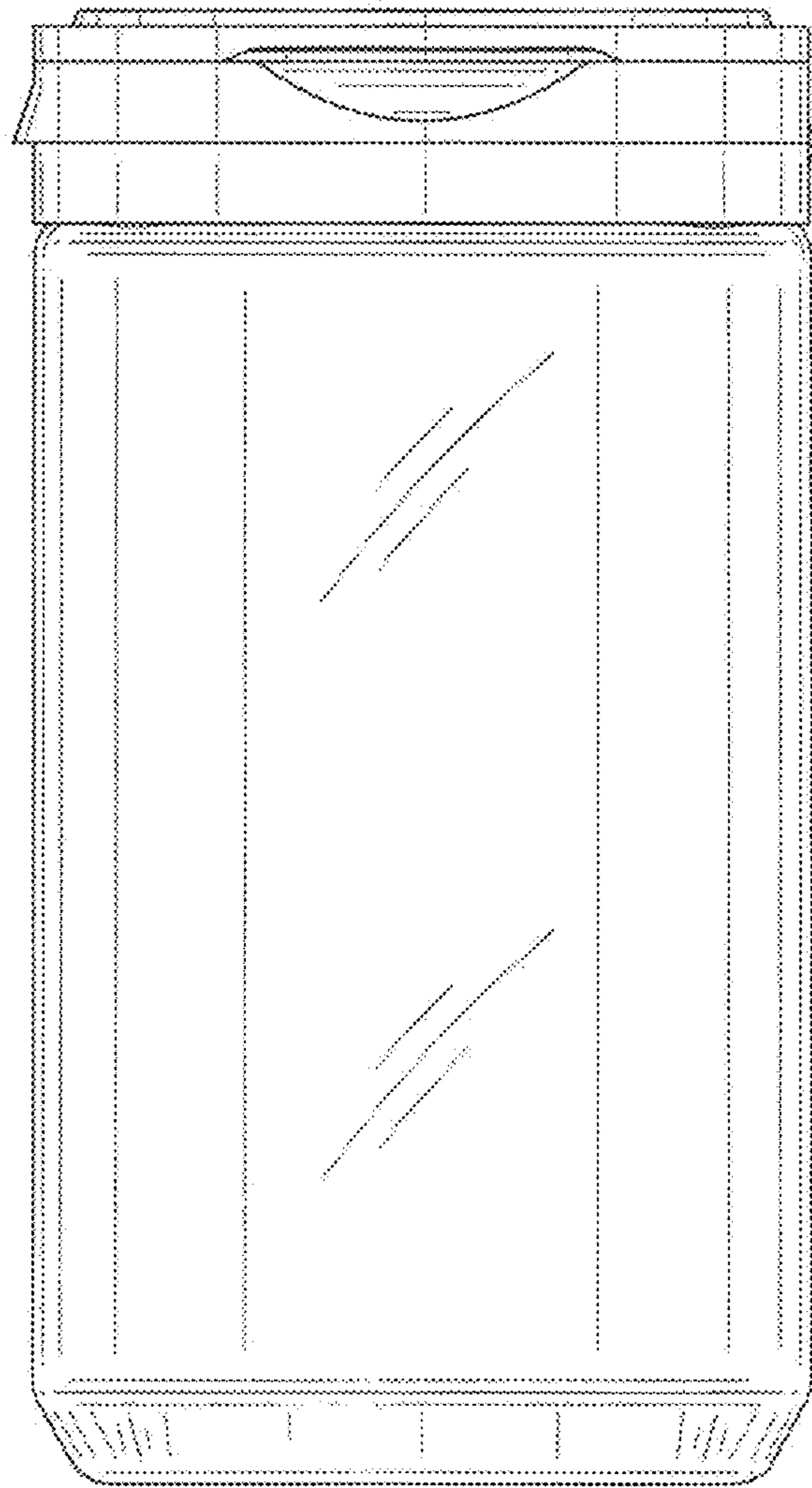
**FIG. 1**



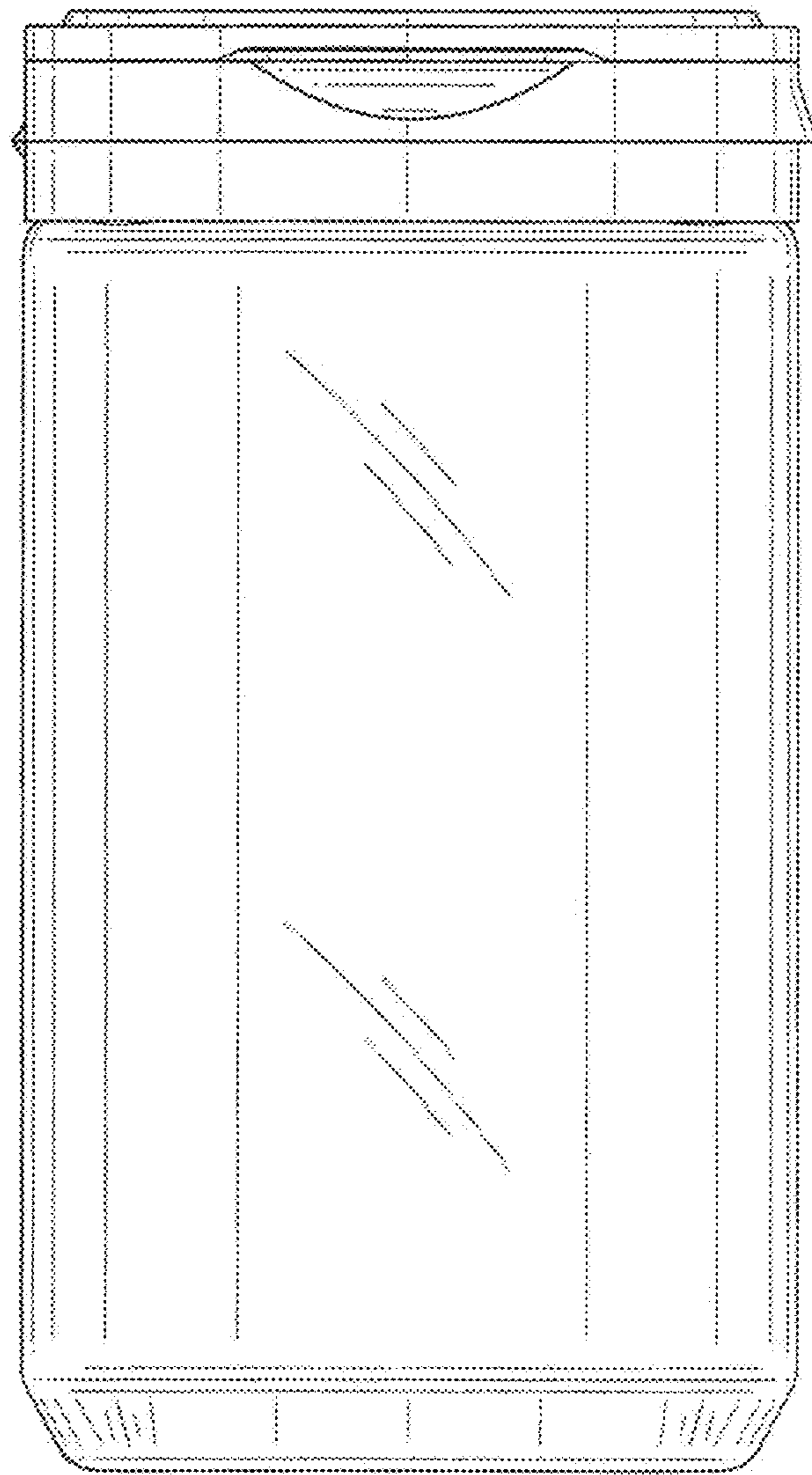
**FIG. 2**



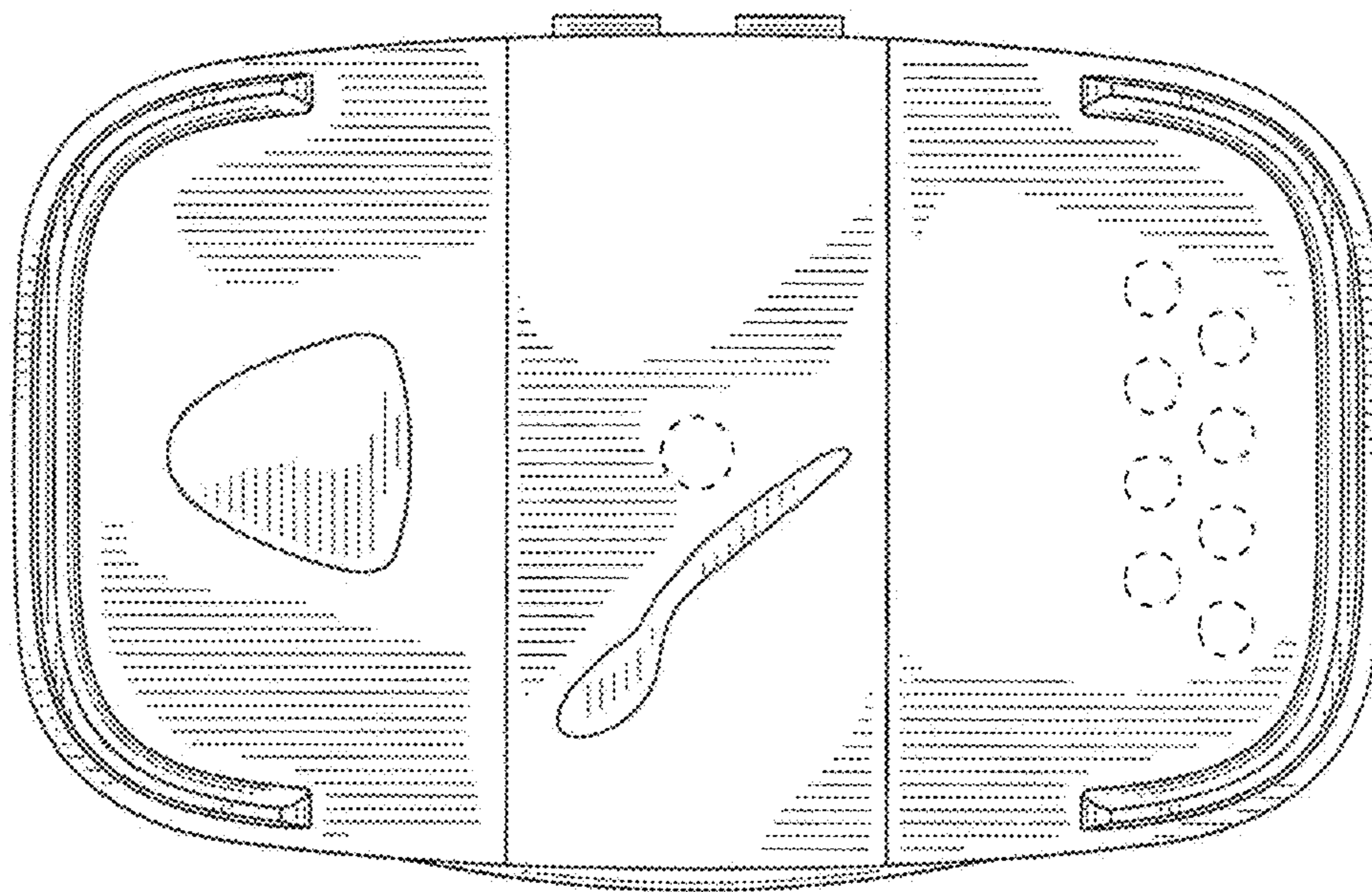
**FIG. 3**



**FIG. 4**

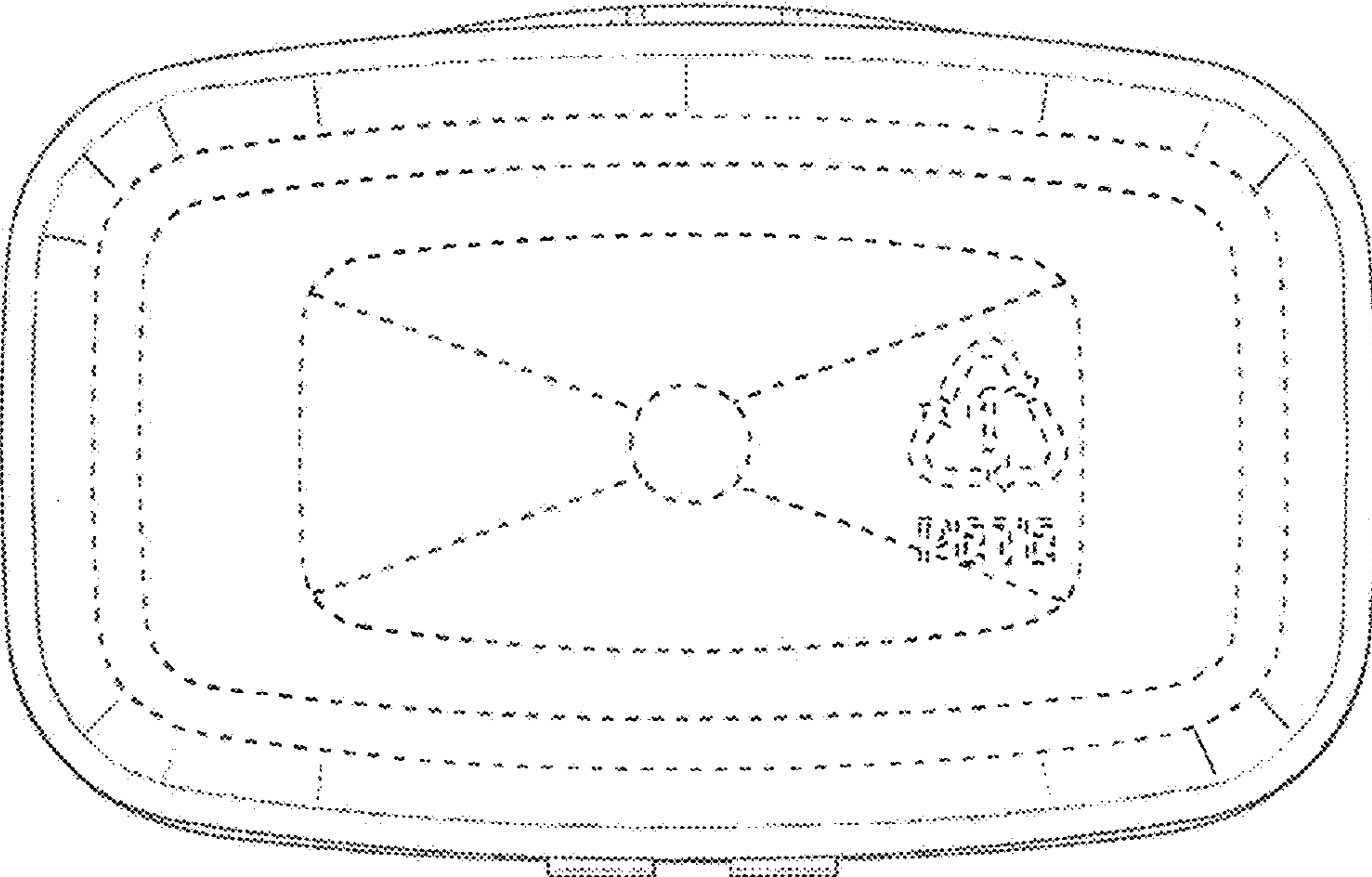


**FIG. 5**

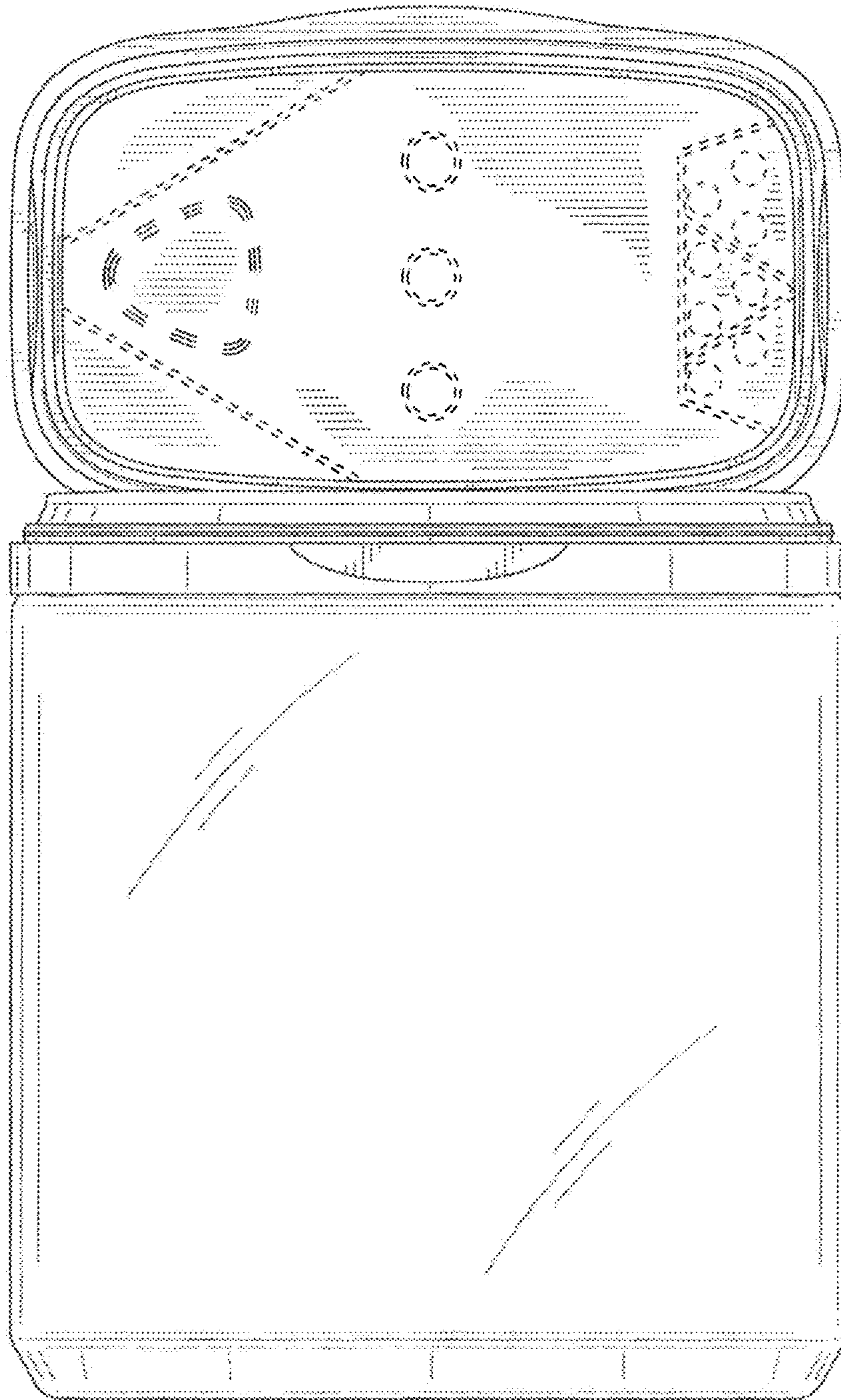


**FIG. 6**

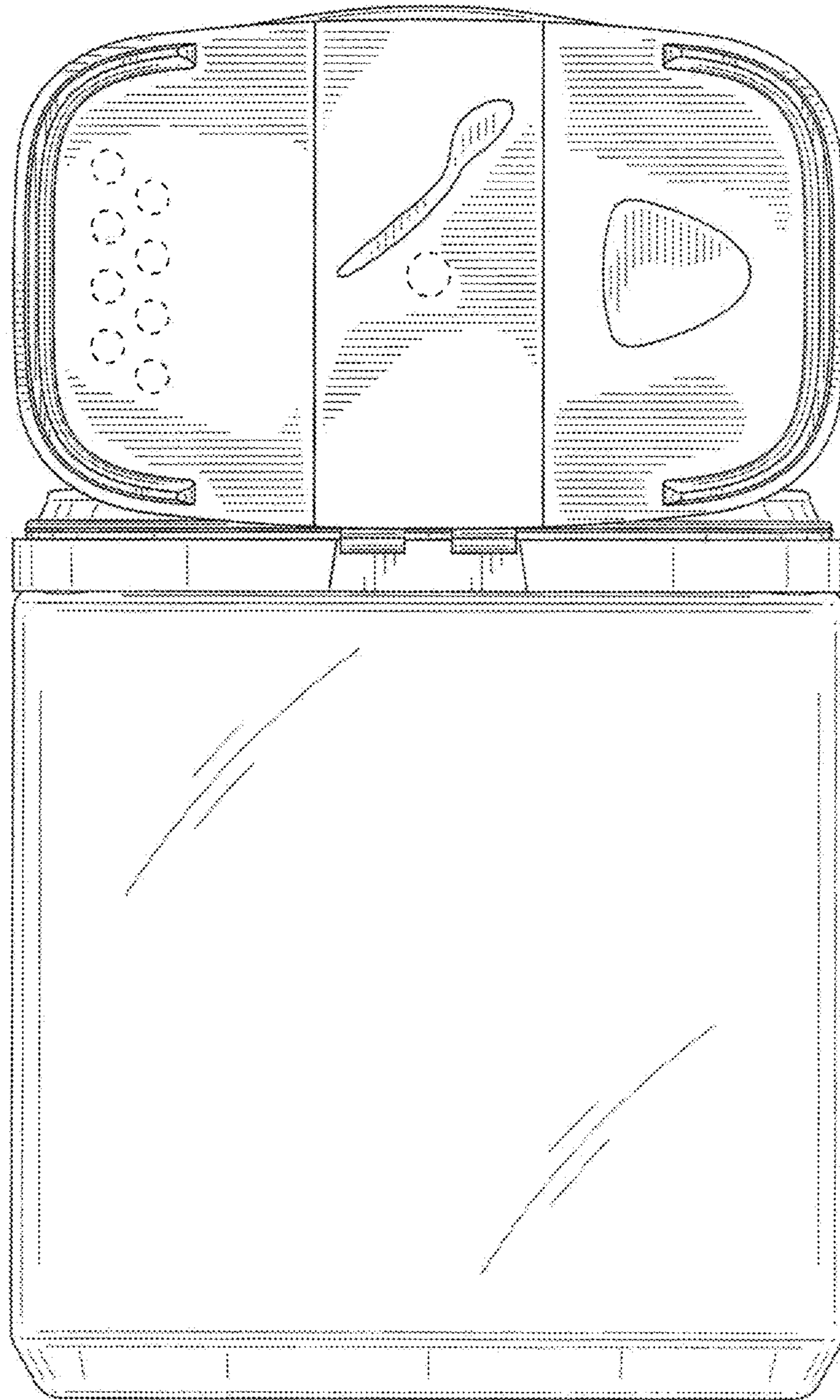




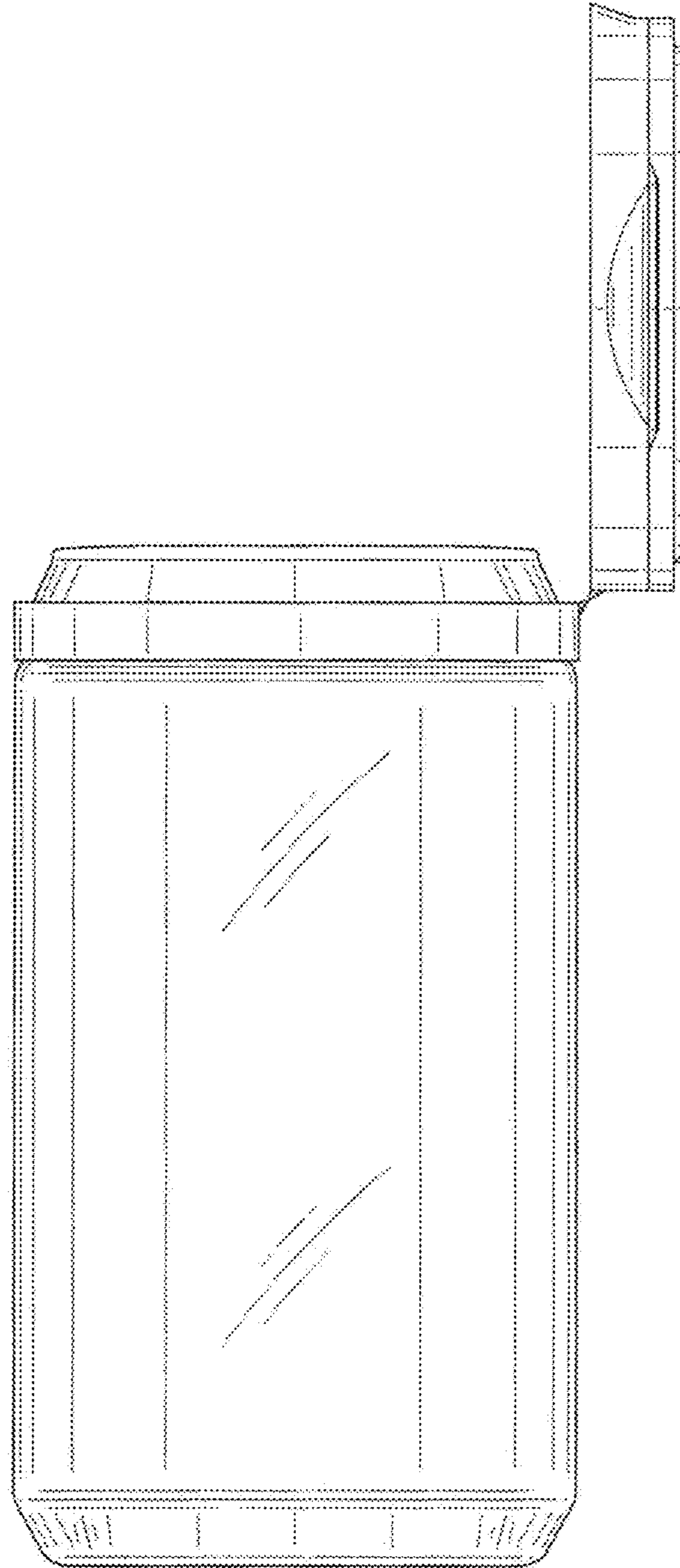
**FIG. 7**



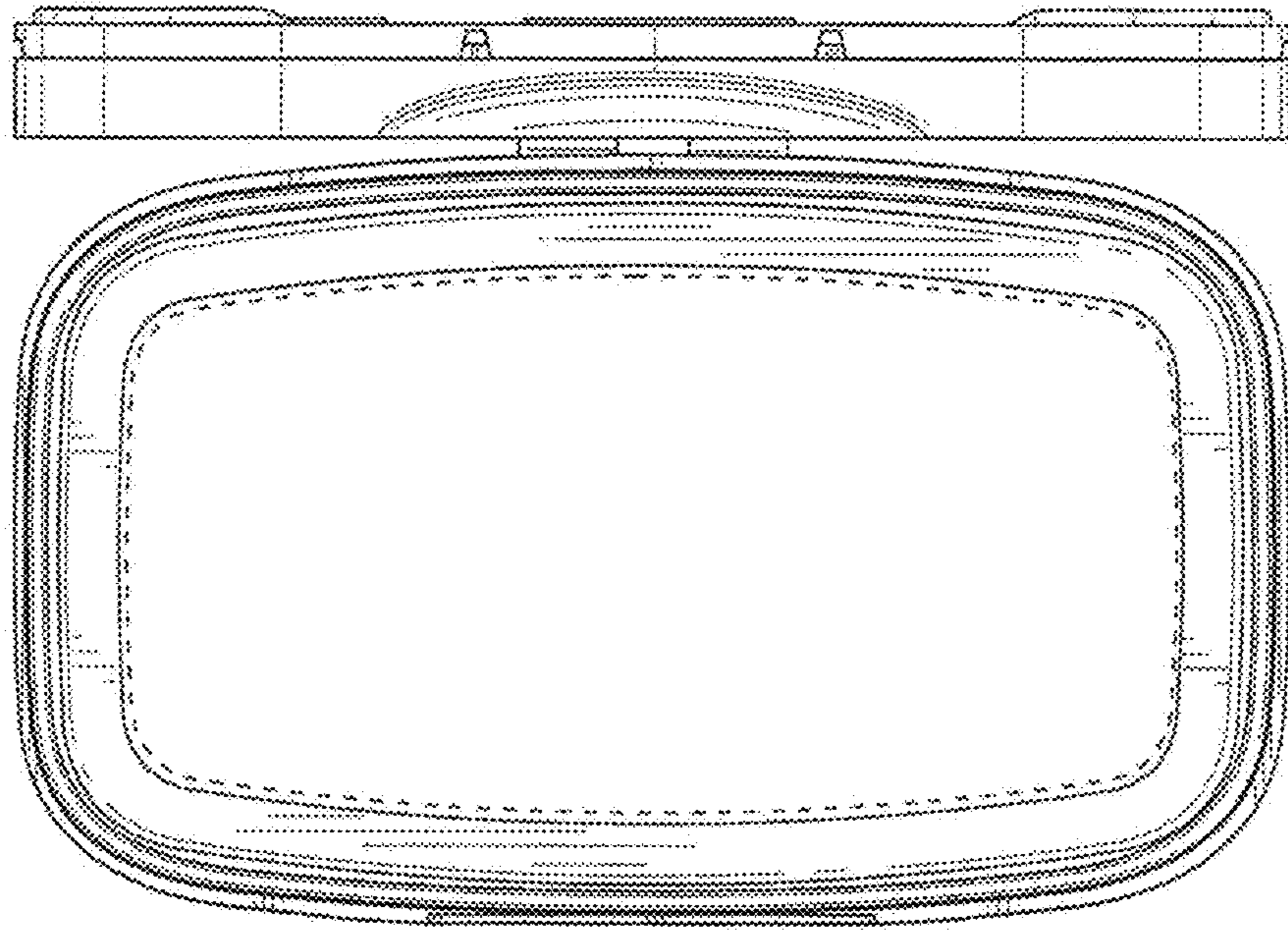
**FIG. 8**



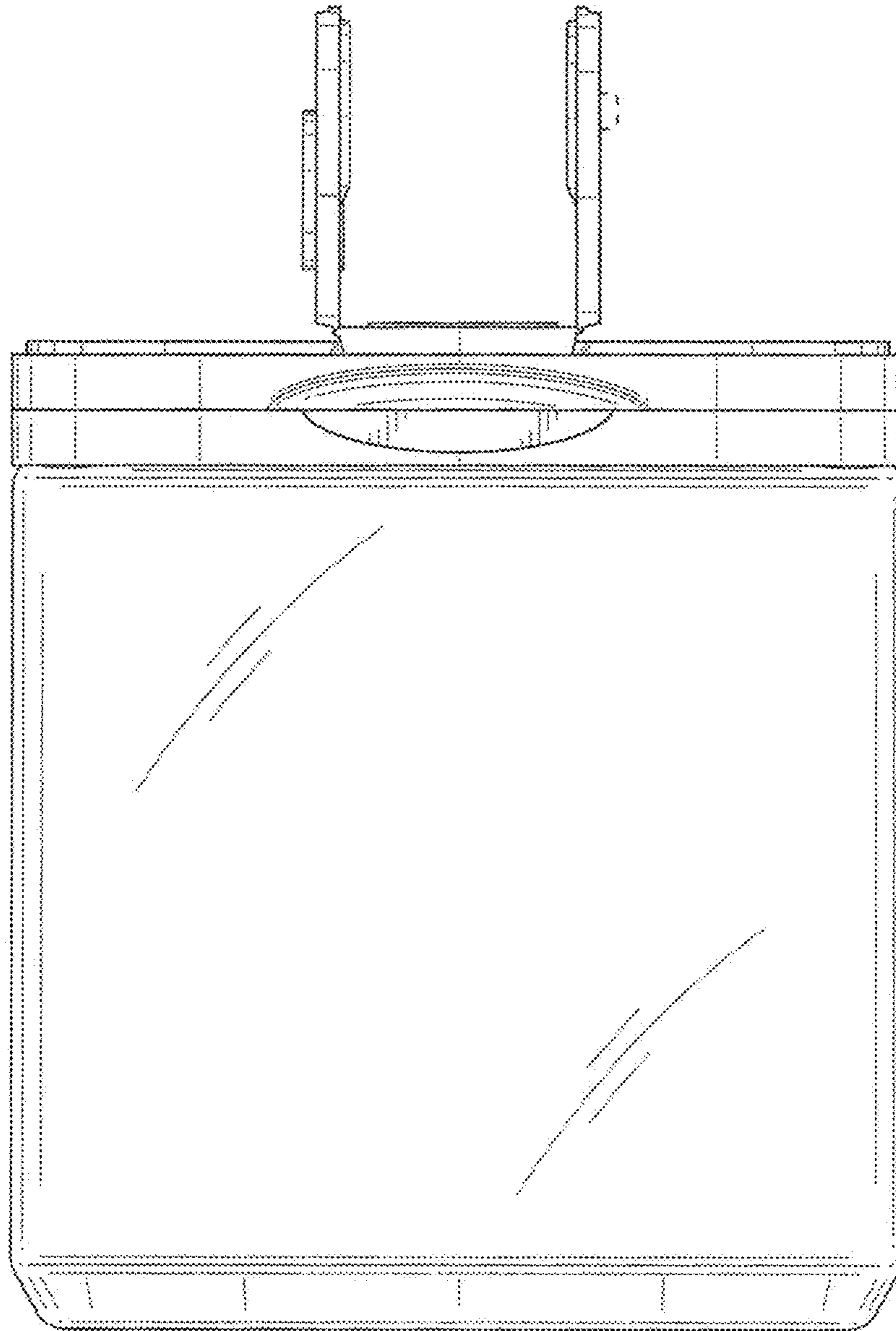
**FIG. 9**



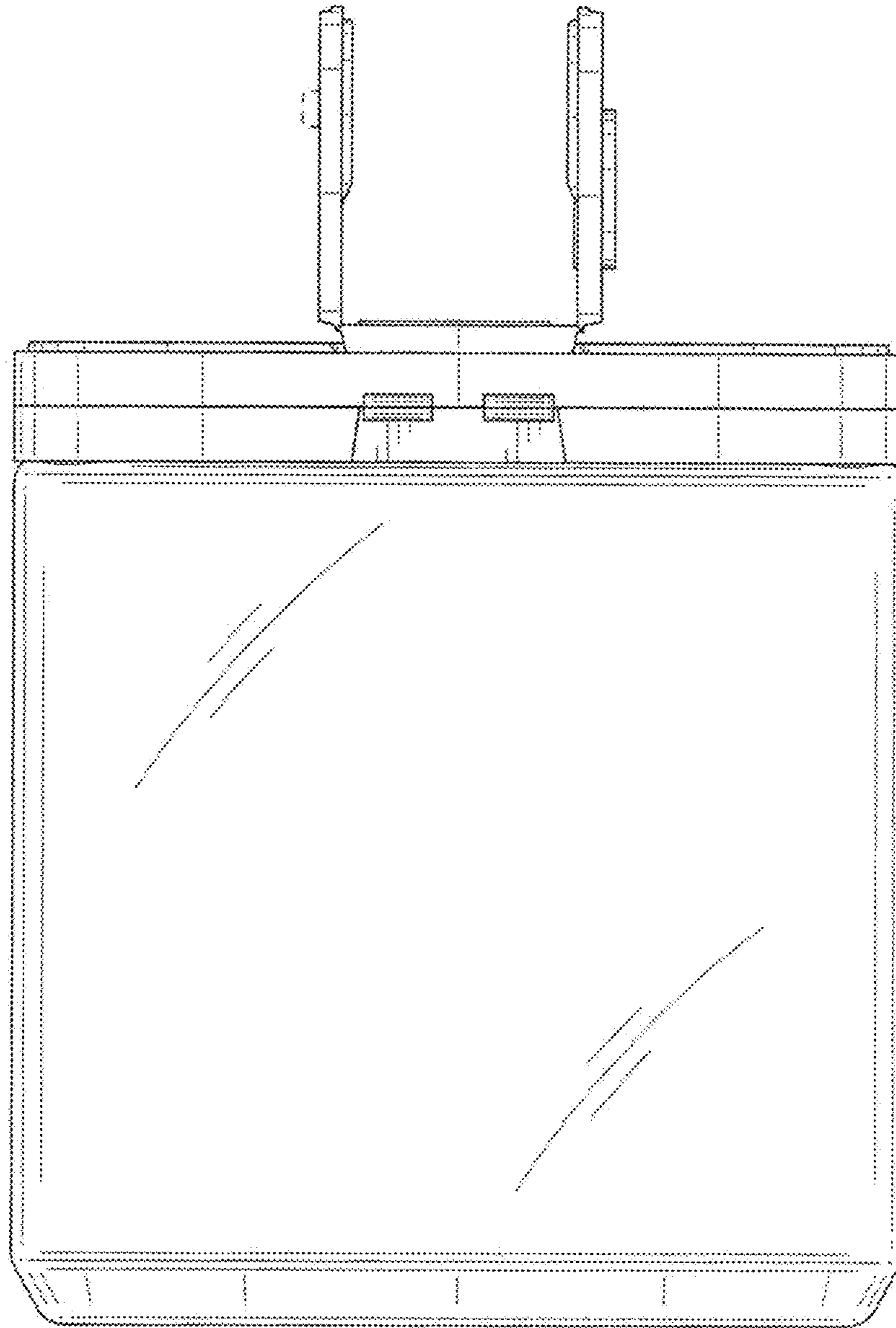
**FIG. 10**



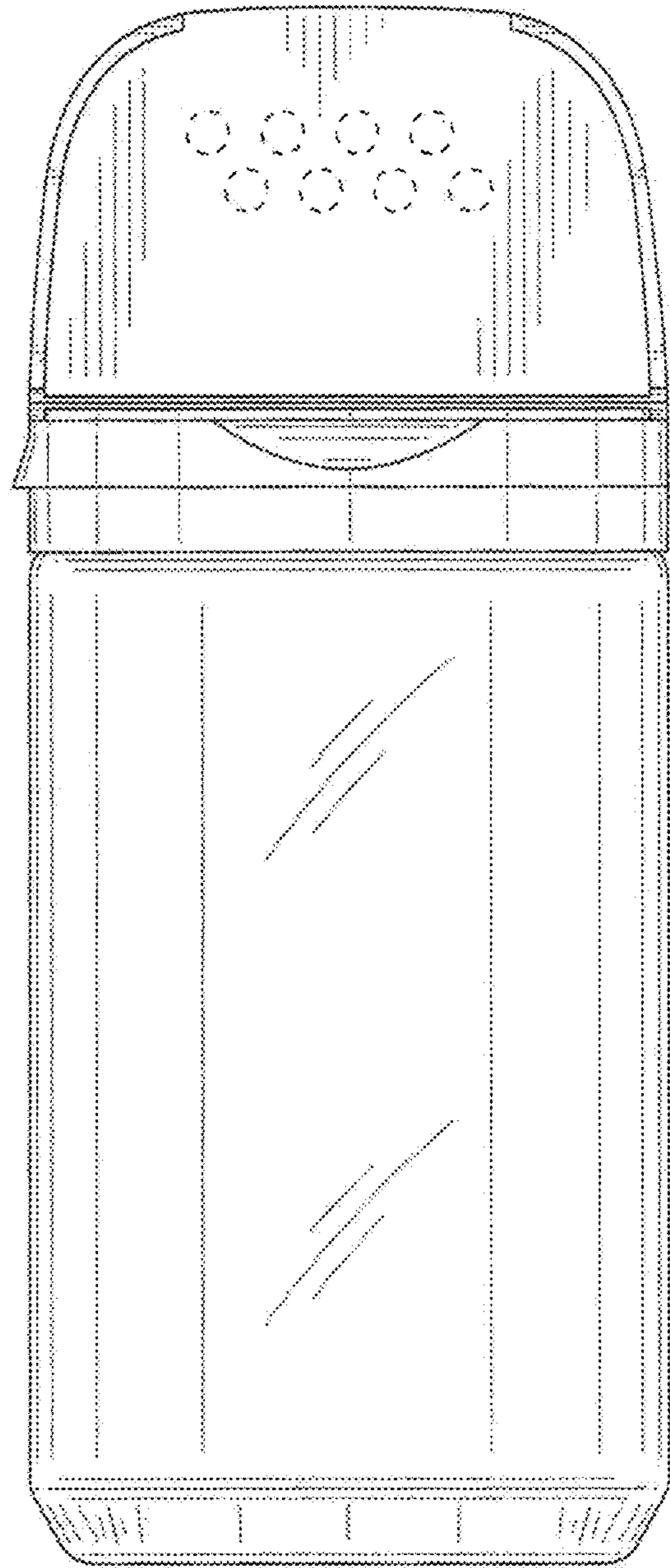
**FIG. 11**



**FIG. 12**

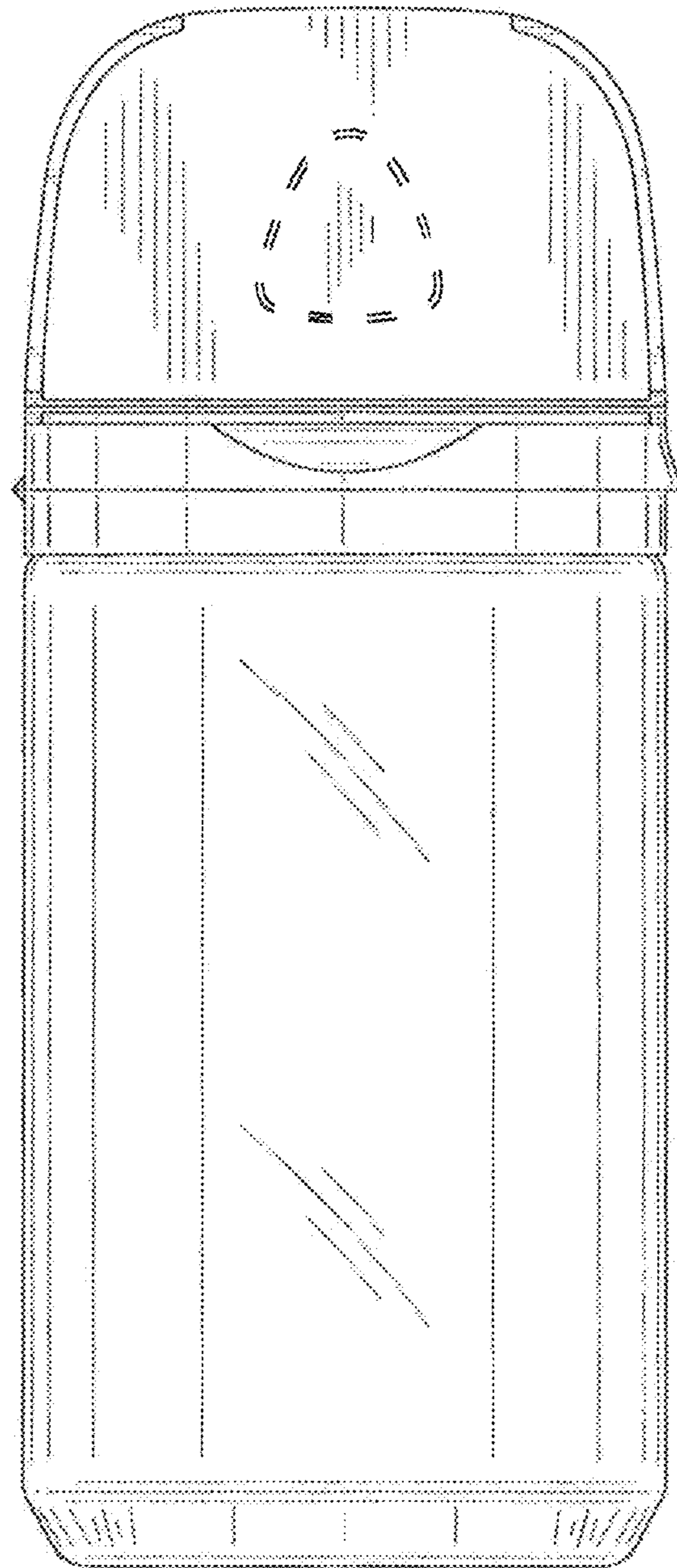


**FIG. 13**

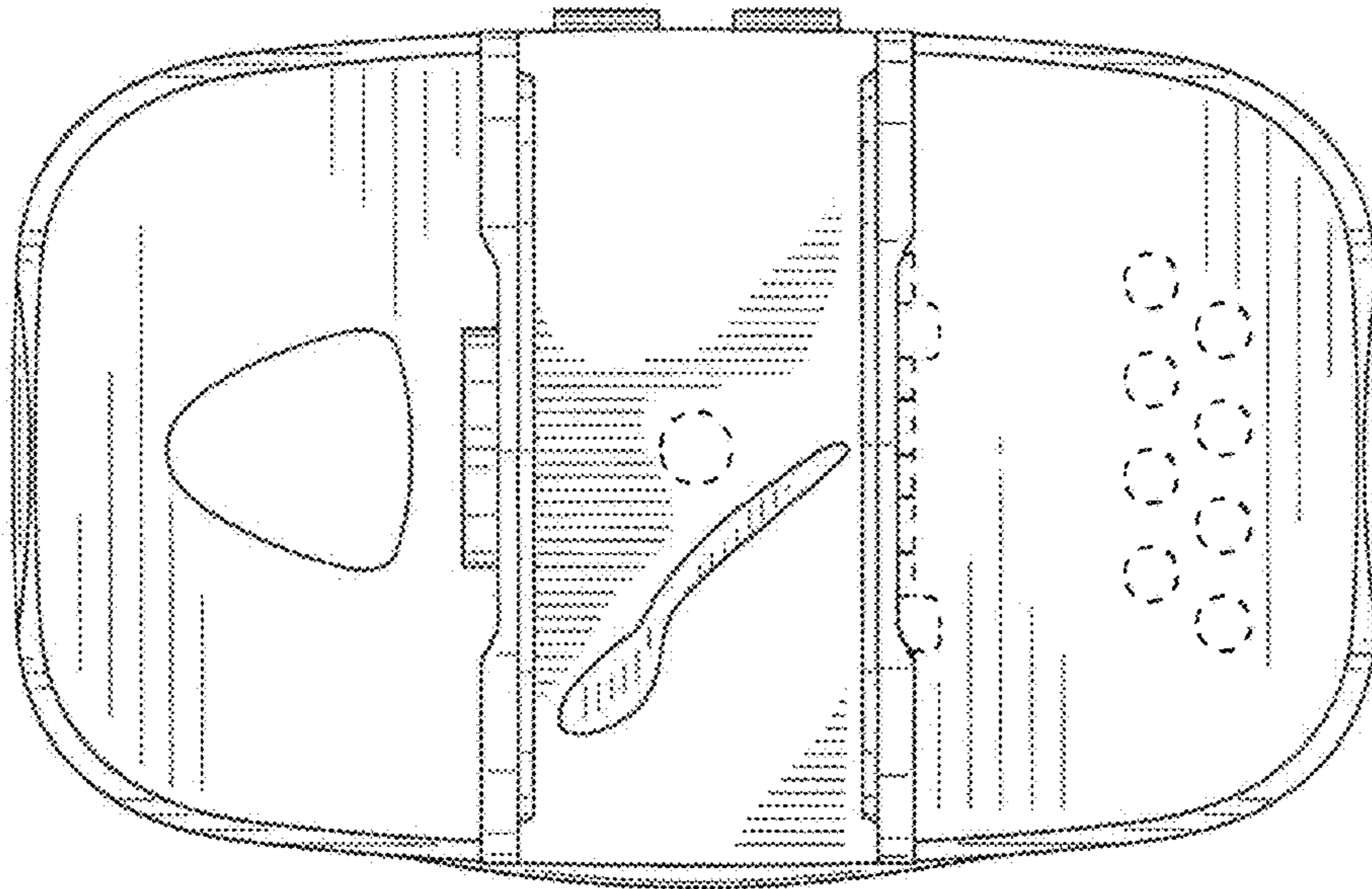


**FIG. 14**

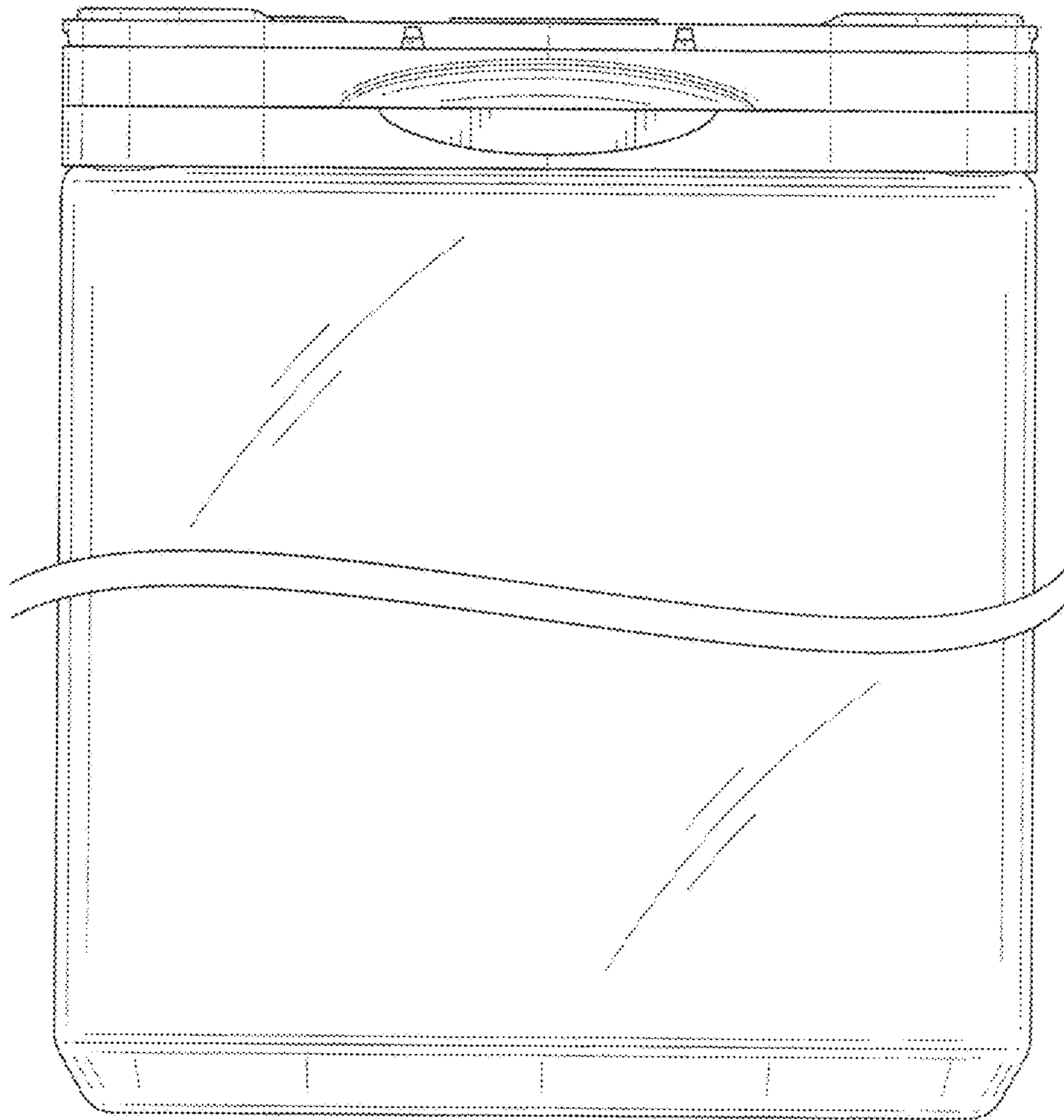




**FIG. 15**



**FIG. 16**



**FIG. 17**