



US00D846396S

(12) **United States Design Patent** (10) **Patent No.:** **US D846,396 S**
Robling et al. (45) **Date of Patent:** **** Apr. 23, 2019**

(54) **CONTAINER**

(71) Applicant: **THE FOLGER COFFEE COMPANY**, Orrville, OH (US)

(72) Inventors: **Darren Robling**, Seville, OH (US); **Jeffrey Kissinger**, Wadsworth, OH (US); **James Christopher Dorn**, Sterling, OH (US)

(73) Assignee: **THE FOLGER COFFEE COMPANY**, Orrville, OH (US)

(**) Term: **15 Years**

(21) Appl. No.: **29/593,230**

(22) Filed: **Feb. 7, 2017**

(51) **LOC (11) Cl.** **09-01**

(52) **U.S. Cl.**
USPC **D9/516; D9/542**

(58) **Field of Classification Search**
USPC D3/202; D24/121; D7/396.2, 598;
D9/516, 542, 549, 550, 551, 552, 557,
D9/558, 572, 573, 715

(Continued)

(56) **References Cited**

U.S. PATENT DOCUMENTS

D211,156 S 5/1968 Wilson et al.
D237,853 S 12/1975 Katz

(Continued)

FOREIGN PATENT DOCUMENTS

CA 142447 5/2012
CA 142448 5/2012

(Continued)

OTHER PUBLICATIONS

Office Action dated Oct. 31, 2017 in corresponding Canadian Patent Application No. 174375.

(Continued)

Primary Examiner — Ian Simmons

(74) *Attorney, Agent, or Firm* — Michael A. Olshavsky; Christopher L. Smith

(57) **CLAIM**

We claim an ornamental design for a container, as shown and described.

DESCRIPTION

FIG. 1 is a front/left/top perspective view of a container according to a first exemplary embodiment; FIG. 2 is a front elevation view thereof, with the rear elevation view being identical; FIG. 3 is a right side elevation view thereof, the left side elevation being identical; FIG. 4 is a top plan view thereof; and FIG. 5 is a bottom plan view thereof. FIG. 6 is a front/left/top perspective view of a container according to a second exemplary embodiment (the container according FIG. 1 with the lid removed); FIG. 7 is a front elevation view thereof, with the rear elevation view being identical; FIG. 8 is a right side elevation view thereof, the left side elevation being identical; FIG. 9 is a top plan view thereof; and FIG. 10 is a bottom plan view thereof. FIG. 11 is a front/left/top perspective view of a container according to a third exemplary embodiment; FIG. 12 is a front elevation view thereof, with the rear elevation view being identical; FIG. 13 is a right side elevation view thereof, the left side elevation being identical; FIG. 14 is a top plan view thereof; and FIG. 15 is a bottom plan view thereof. FIG. 16 is a front/left/top perspective view of a container according to a fourth exemplary embodiment (the container according FIG. 11 with the lid removed); FIG. 17 is a front elevation view thereof, with the rear elevation view being identical; FIG. 18 is a right side elevation view thereof, the left side elevation being identical; FIG. 19 is a top plan view thereof; and

(Continued)

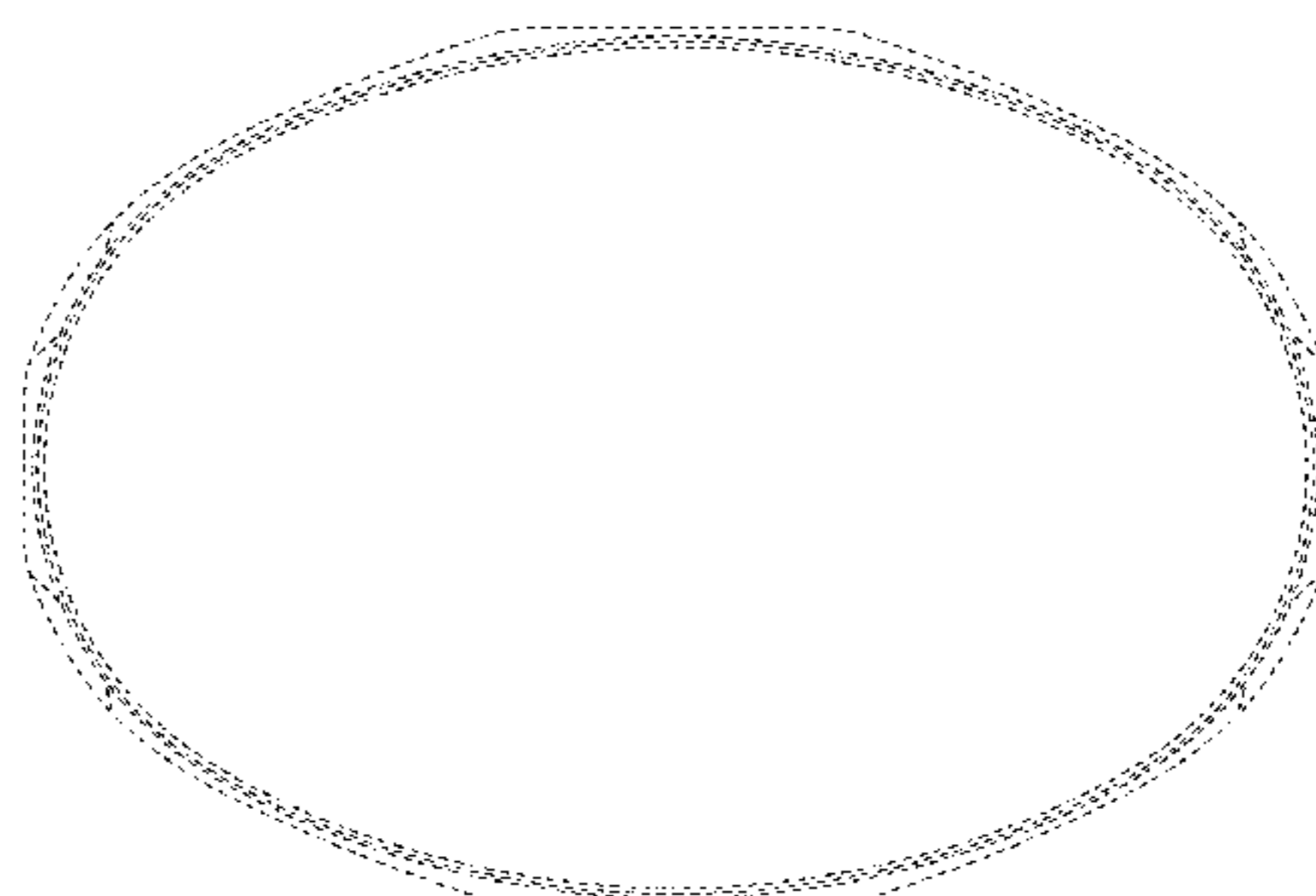
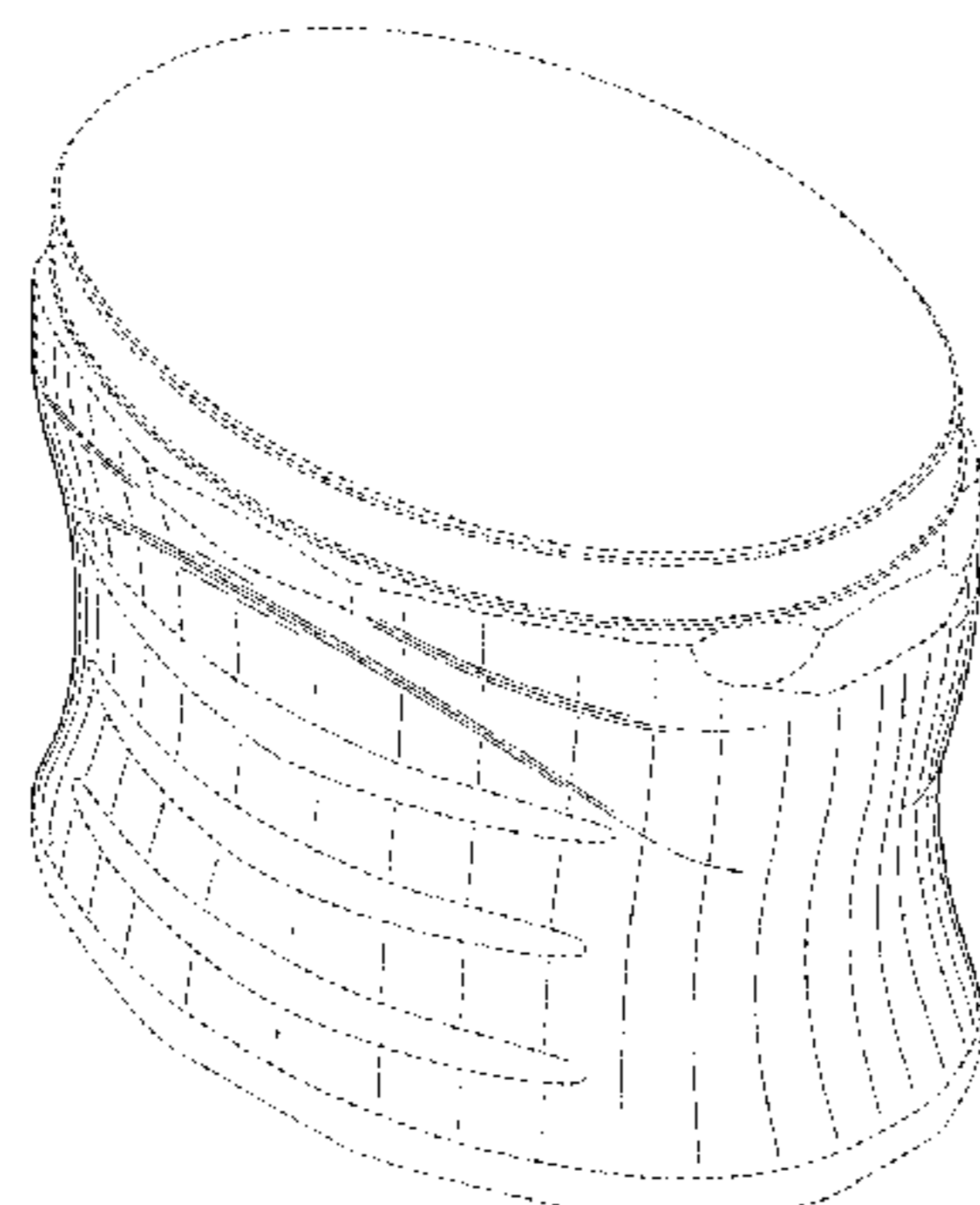


FIG. 20 is a bottom plan view thereof.
 FIG. 21 is a front/left/top perspective view of a container according to a fifth exemplary embodiment;
 FIG. 22 is a front elevation view thereof, with the rear elevation view being identical;
 FIG. 23 is a right side elevation view thereof, the left side elevation being identical;
 FIG. 24 is a top plan view thereof; and
 FIG. 25 is a bottom plan view thereof.
 FIG. 26 is a front/left/top perspective view of a container according to a sixth exemplary embodiment (the container according FIG. 21 with the lid removed);
 FIG. 27 is a front elevation view thereof, with the rear elevation view being identical;
 FIG. 28 is a right side elevation view thereof, the left side elevation being identical;
 FIG. 29 is a top plan view thereof; and,
 FIG. 30 is a bottom plan view thereof.
 The broken lines immediately adjacent the shaded areas represent the bounds of the claimed designs, while all other broken lines are directed to environment and are for illustrative purposes only; the broken lines form no part of the claimed design.

1 Claim, 30 Drawing Sheets

(58) **Field of Classification Search**

CPC B65D 1/0223; B65D 1/10; B65D 1/14;
 B65D 2501/0081; B65D 2543/00101;
 B65D 2543/00194

See application file for complete search history.

(56) **References Cited**

U.S. PATENT DOCUMENTS

D254,831	S	4/1980	Smith	
D287,573	S	1/1987	Tyler	
5,032,823	A	7/1991	Bower et al.	
D359,451	S	6/1995	Dees	
D413,231	S	8/1999	Loew et al.	
6,032,823	A	3/2000	Bacon	
D468,203	S	1/2003	Gittins et al.	
D473,140	S	4/2003	Gilliam et al.	
D478,819	S	8/2003	Pfaeffli et al.	
6,722,514	B2	4/2004	Renz	
D504,318	S	4/2005	Lane et al.	
D505,331	S	5/2005	Lane et al.	
6,889,866	B2	5/2005	Gilliam et al.	
D537,366	S	2/2007	Pedersen	
D543,860	S	6/2007	Pacente et al.	
D553,980	S	10/2007	Verweyst et al.	
D568,739	S	5/2008	Darr	
D576,494	S	9/2008	Bakic	
D582,292	S	12/2008	Short et al.	
D582,783	S	12/2008	Little et al.	
D583,248	S *	12/2008	Little	D9/557
D592,961	S *	5/2009	Short	D9/529

D598,296	S *	8/2009	Serrano Diaz	D9/570
D598,781	S	8/2009	Schwartz et al.	
7,594,588	B2	9/2009	Auer	
D604,502	S	11/2009	Lee et al.	
D606,737	S	12/2009	Lee et al.	
D607,331	S *	1/2010	Booth	540/540
7,644,829	B2	1/2010	Little et al.	
7,694,845	B2	4/2010	Tilton	
D623,064	S	9/2010	Salmon et al.	
D624,817	S	10/2010	Fisher et al.	
7,938,286	B2	5/2011	Vogel et al.	
D643,731	S *	8/2011	Booth	D9/541
8,025,176	B2	9/2011	Little et al.	
D646,577	S	10/2011	Turchi et al.	
D646,966	S	10/2011	Gill et al.	
8,042,704	B2	10/2011	Borowski et al.	
D649,464	S *	11/2011	Kissinger	D9/516
D649,468	S *	11/2011	Kissinger	D9/550
D651,526	S	1/2012	Hu et al.	
D661,197	S *	6/2012	Kissinger	D9/550
D669,778	S	10/2012	Houlton et al.	
D669,788	S	10/2012	Maclean et al.	
D677,564	S	3/2013	Maclean et al.	
D680,424	S	4/2013	Maclean et al.	
D706,131	S *	6/2014	Brooks	D9/428
D710,204	S *	8/2014	James	D9/529
D737,683	S *	9/2015	Staten	D9/541
D743,267	S *	11/2015	Rathbone	D9/543
D743,268	S *	11/2015	Rathbone	D9/543
9,216,840	B2	12/2015	Metzger et al.	
D759,490	S *	6/2016	Cetnar	D9/542
9,505,534	B2 *	11/2016	Mercado	B65D 51/228
9,511,890	B2 *	12/2016	Gill	B65D 1/10
D783,404	S *	4/2017	Fromberg	D9/529
D801,808	S *	11/2017	Irimia	D9/432
D807,170	S *	1/2018	Fisher	D9/428
D814,884	S *	4/2018	Middleton	D7/629
D817,767	S *	5/2018	Arnold	D9/529
D822,494	S *	7/2018	Terrasi	D9/542
2004/0238553	A1 *	12/2004	Lane	B65D 43/169 220/835
2005/0173442	A1	8/2005	Gilliam et al.	
2007/0145001	A1 *	6/2007	Tilton	B65D 51/20 215/383
2008/0173657	A1	7/2008	Perry et al.	
2011/0006066	A1	1/2011	Vandamme et al.	

FOREIGN PATENT DOCUMENTS

CA	ZL201230431077.6	5/2012
CN	ZL201230431077.6	6/2013
MX	38044	2/2013
MX	38444	8/2013

OTHER PUBLICATIONS

Office Action dated Oct. 31, 2017 in corresponding Canadian Patent Application No. 174376.
 Office Action dated Mar. 1, 2018 in corresponding Canadian Patent Application No. 174375.
 Office Action/Restriction Requirement dated Sep. 7, 2018 in corresponding Design U.S. Appl. No. 29/593,232, filed Feb. 7, 2017.

* cited by examiner

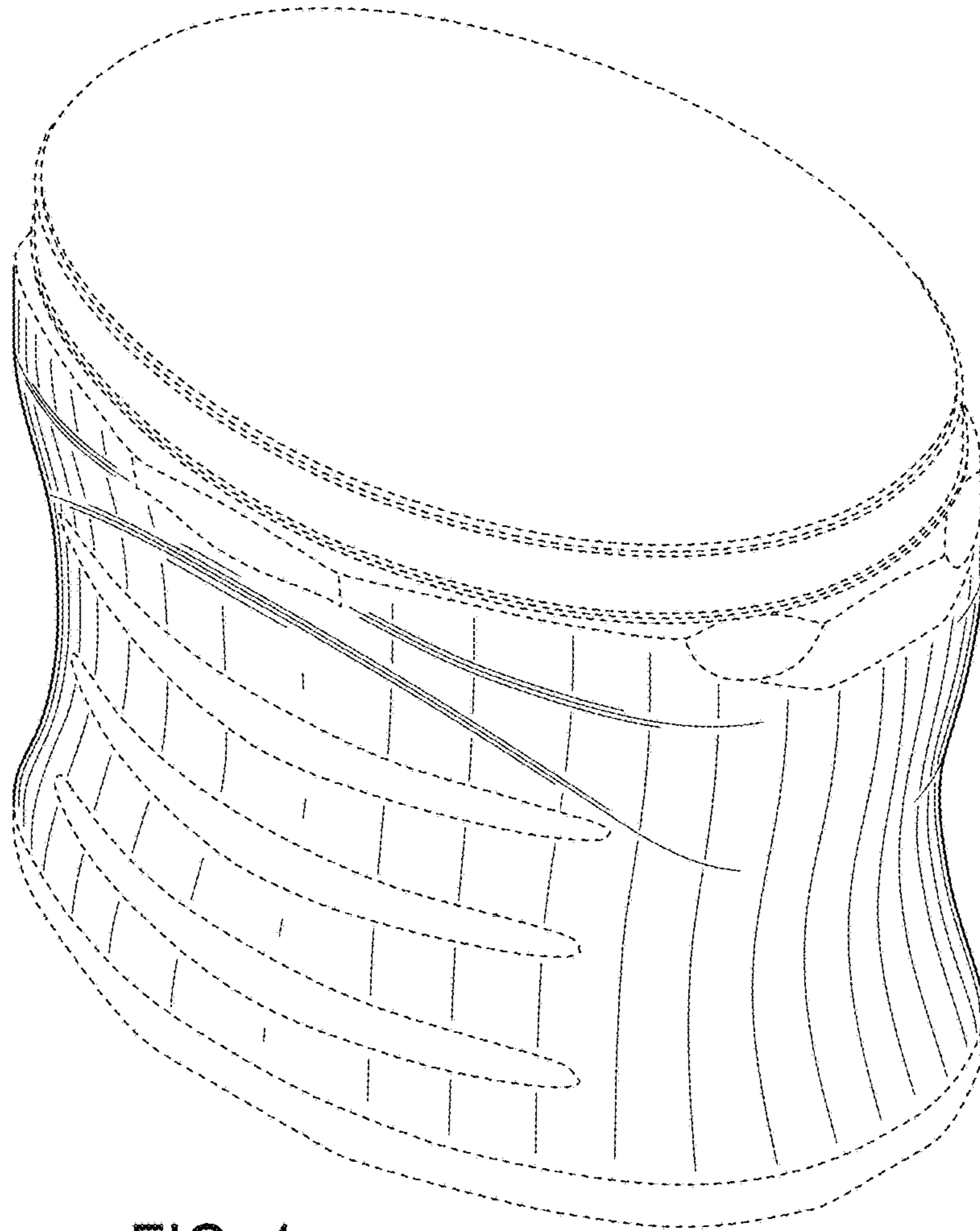


FIG. 1

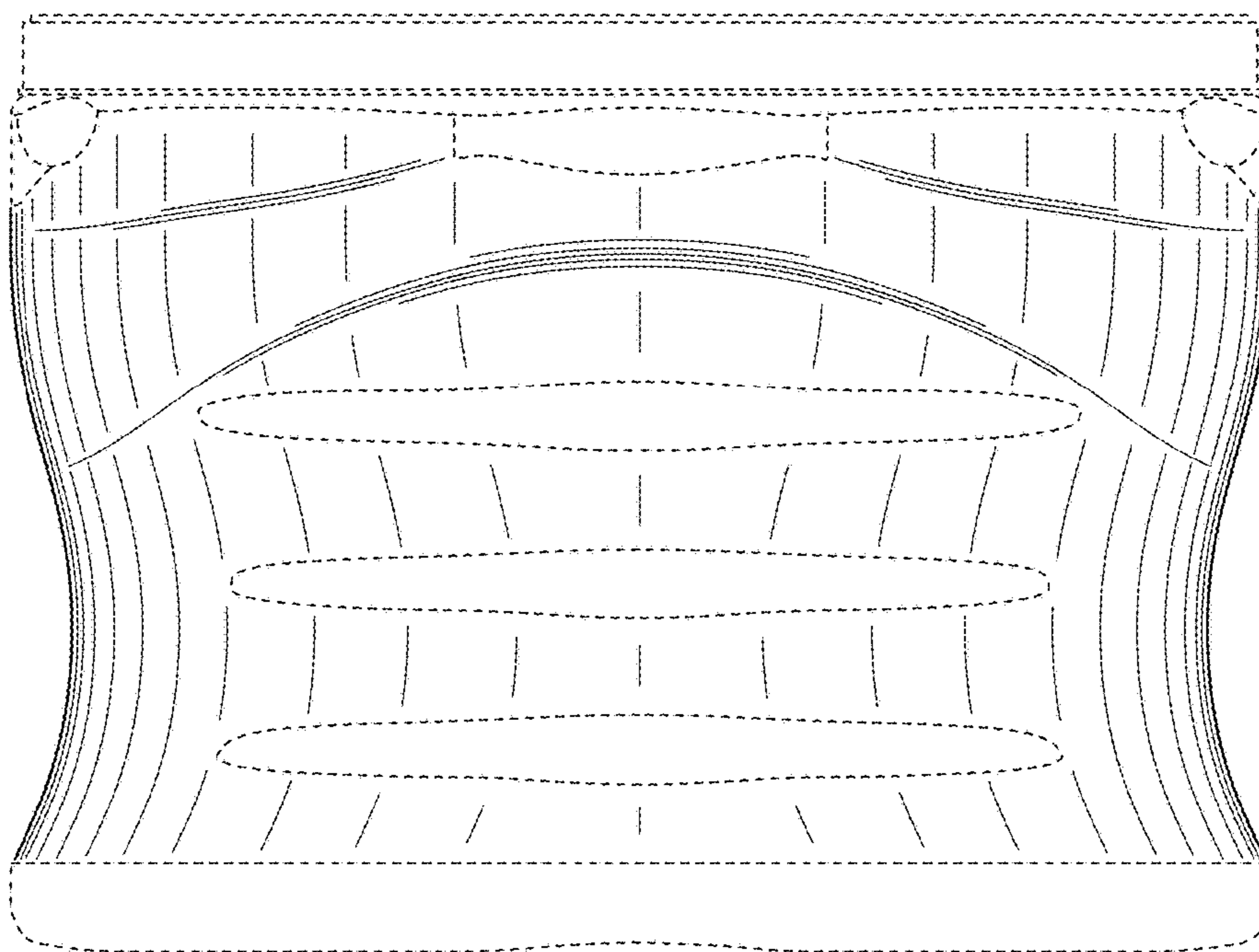


FIG. 2

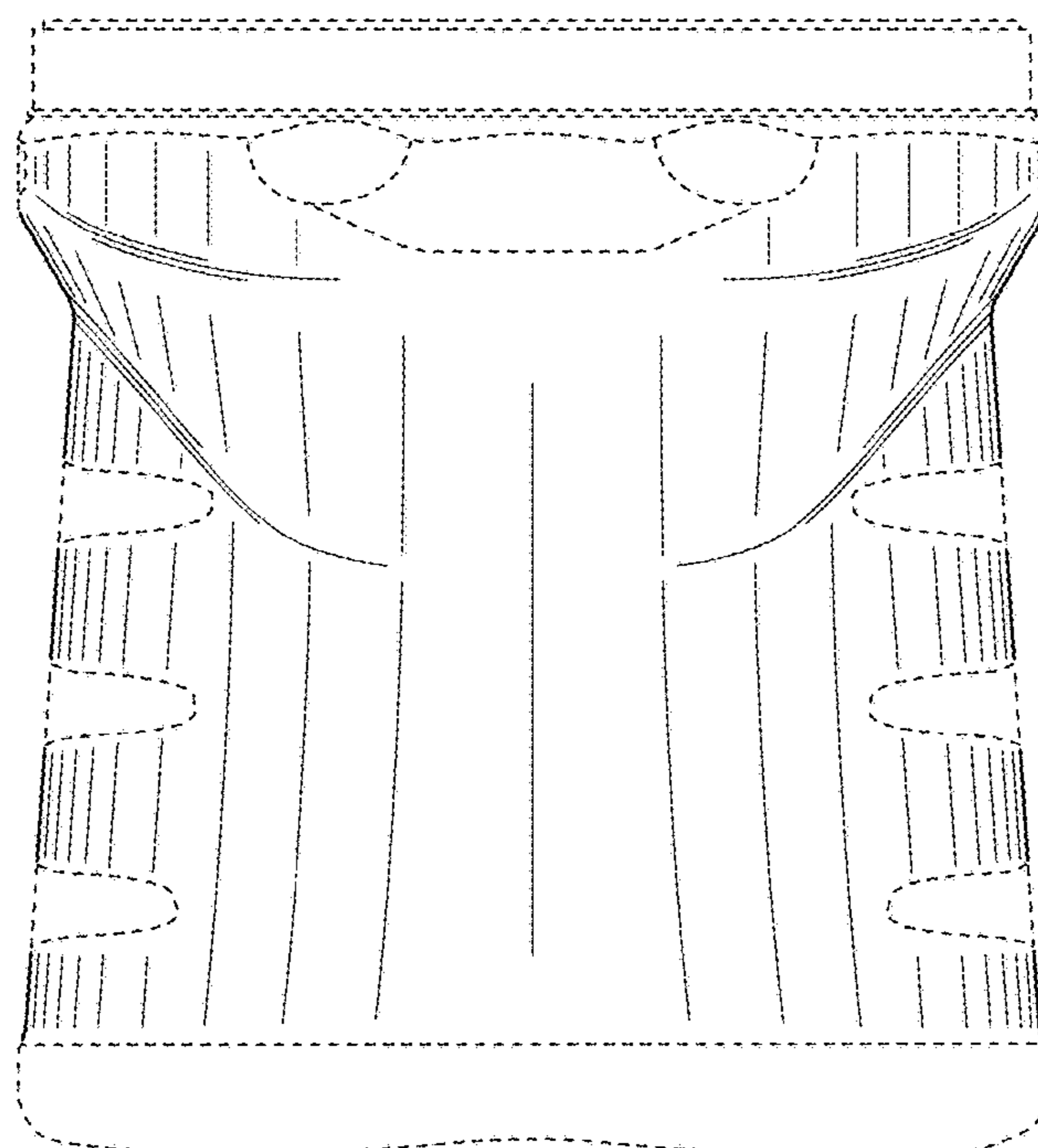


FIG. 3

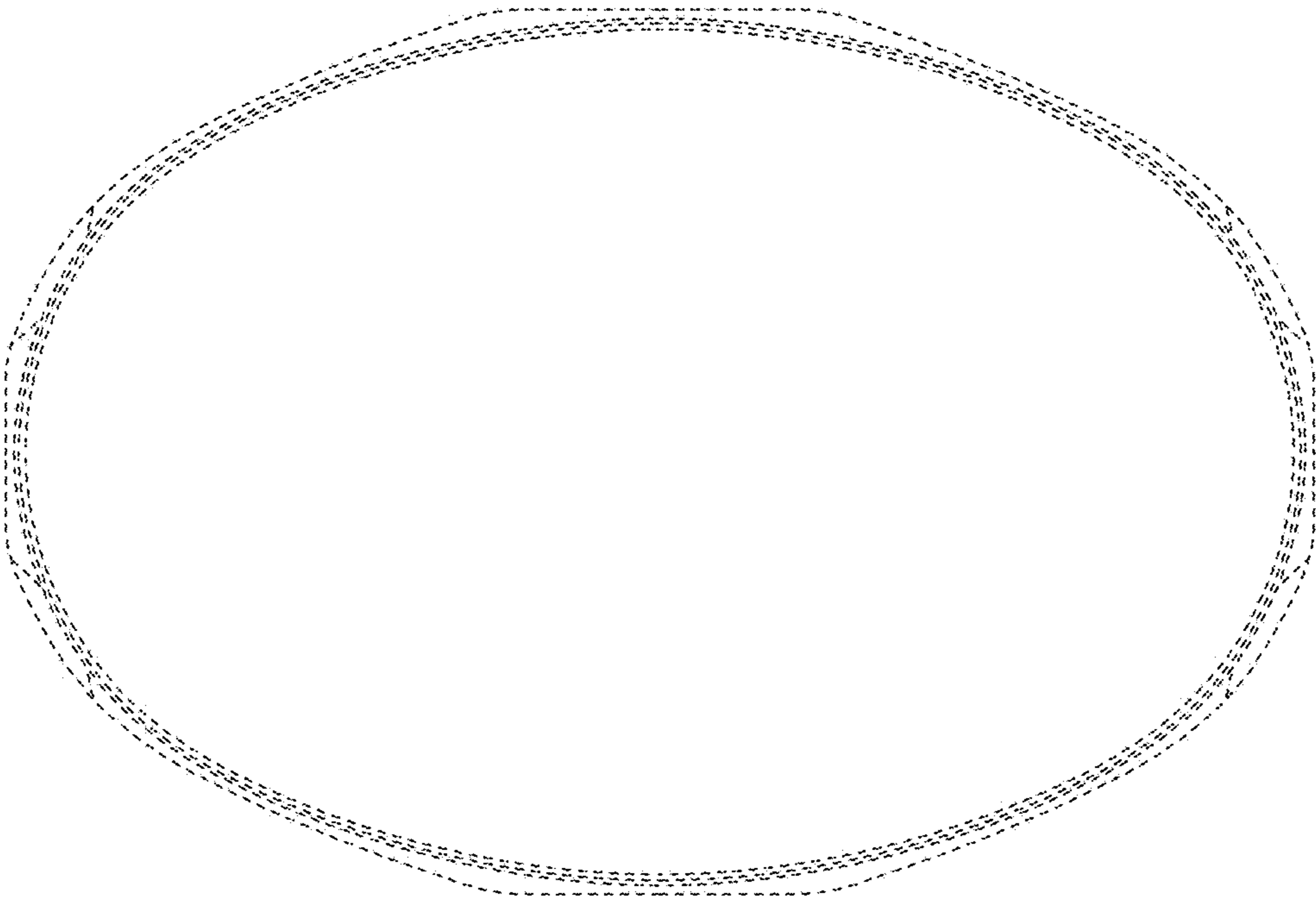


FIG. 4

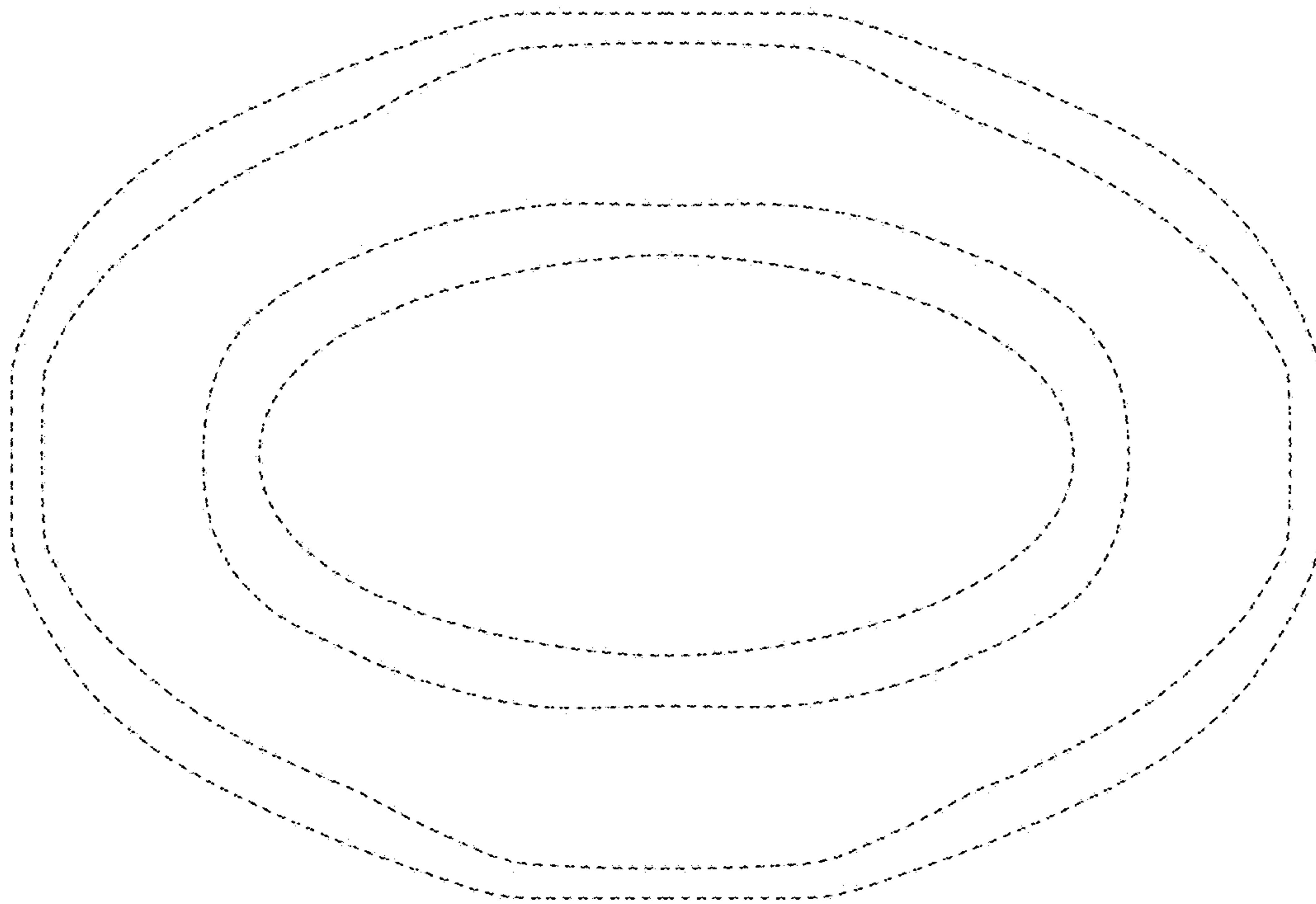


FIG. 5

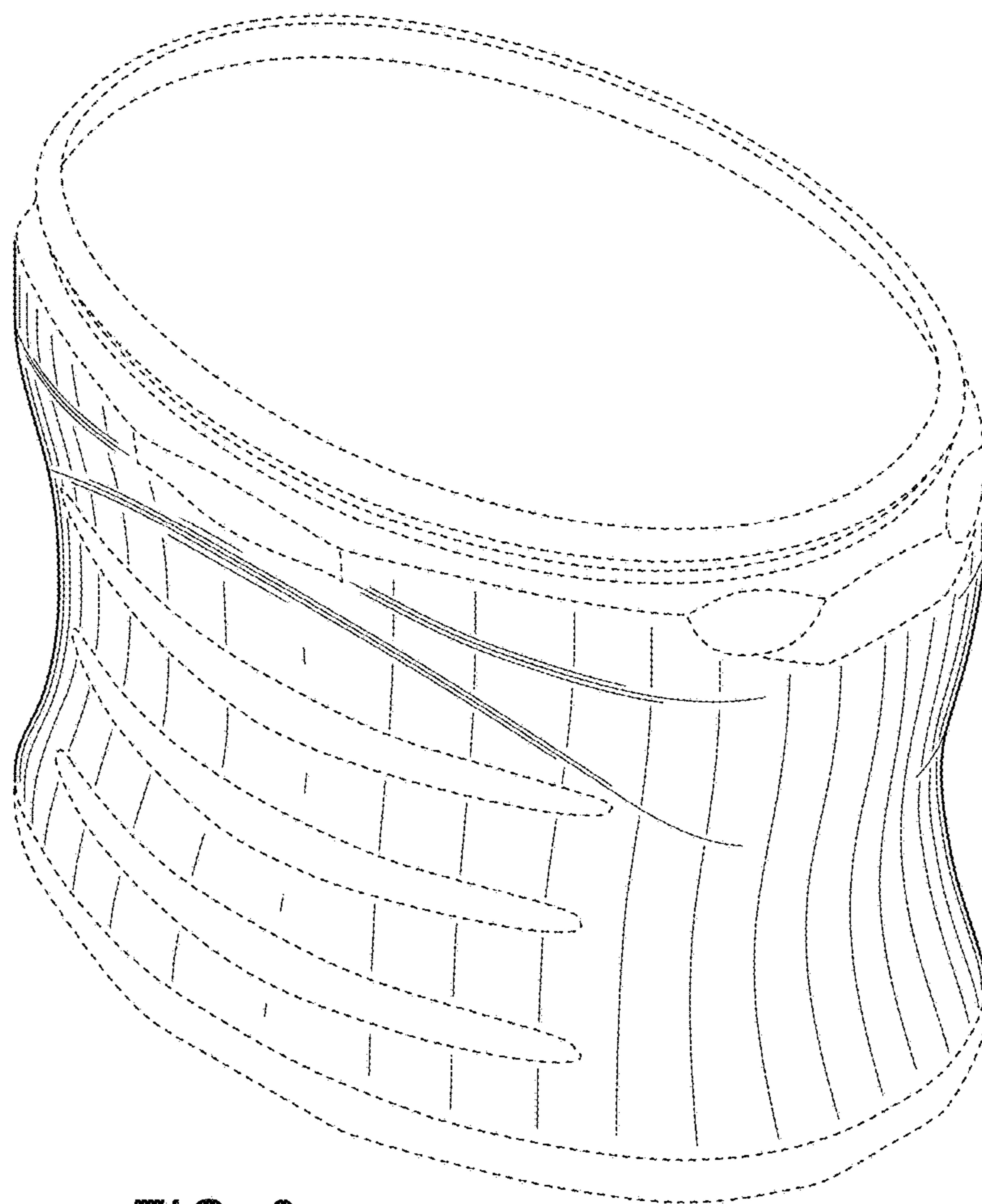


FIG. 6

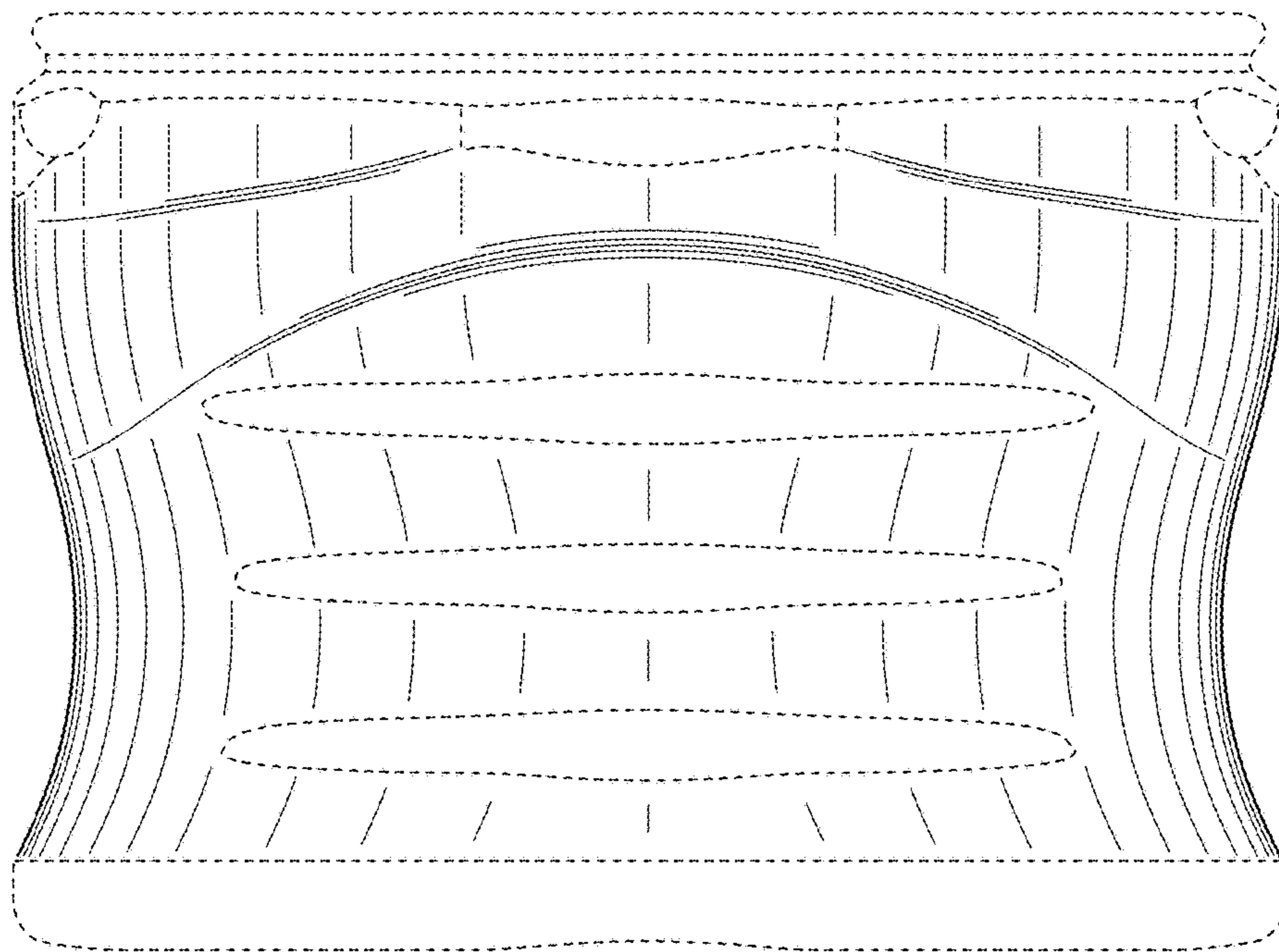


FIG. 7

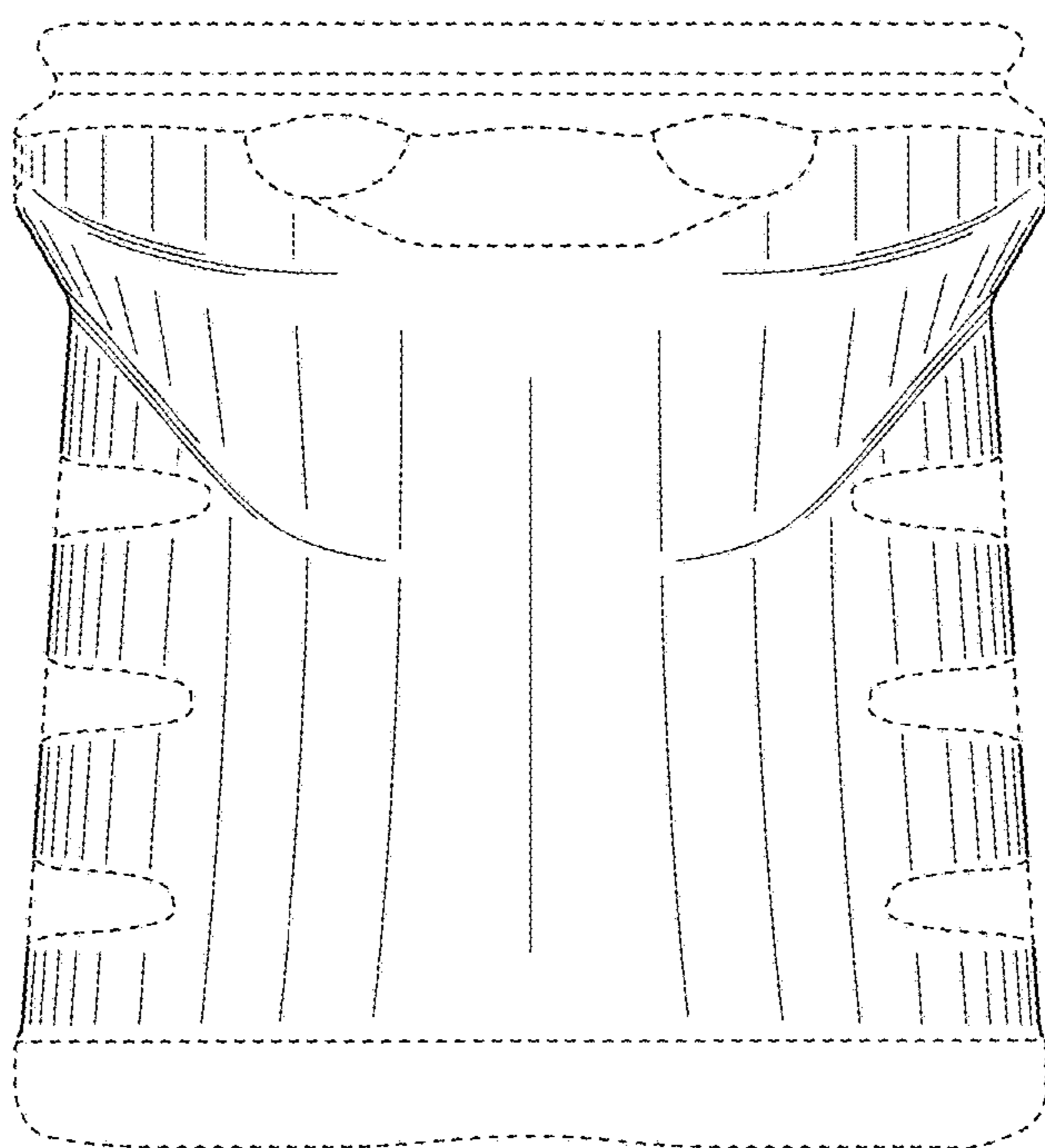


FIG. 8

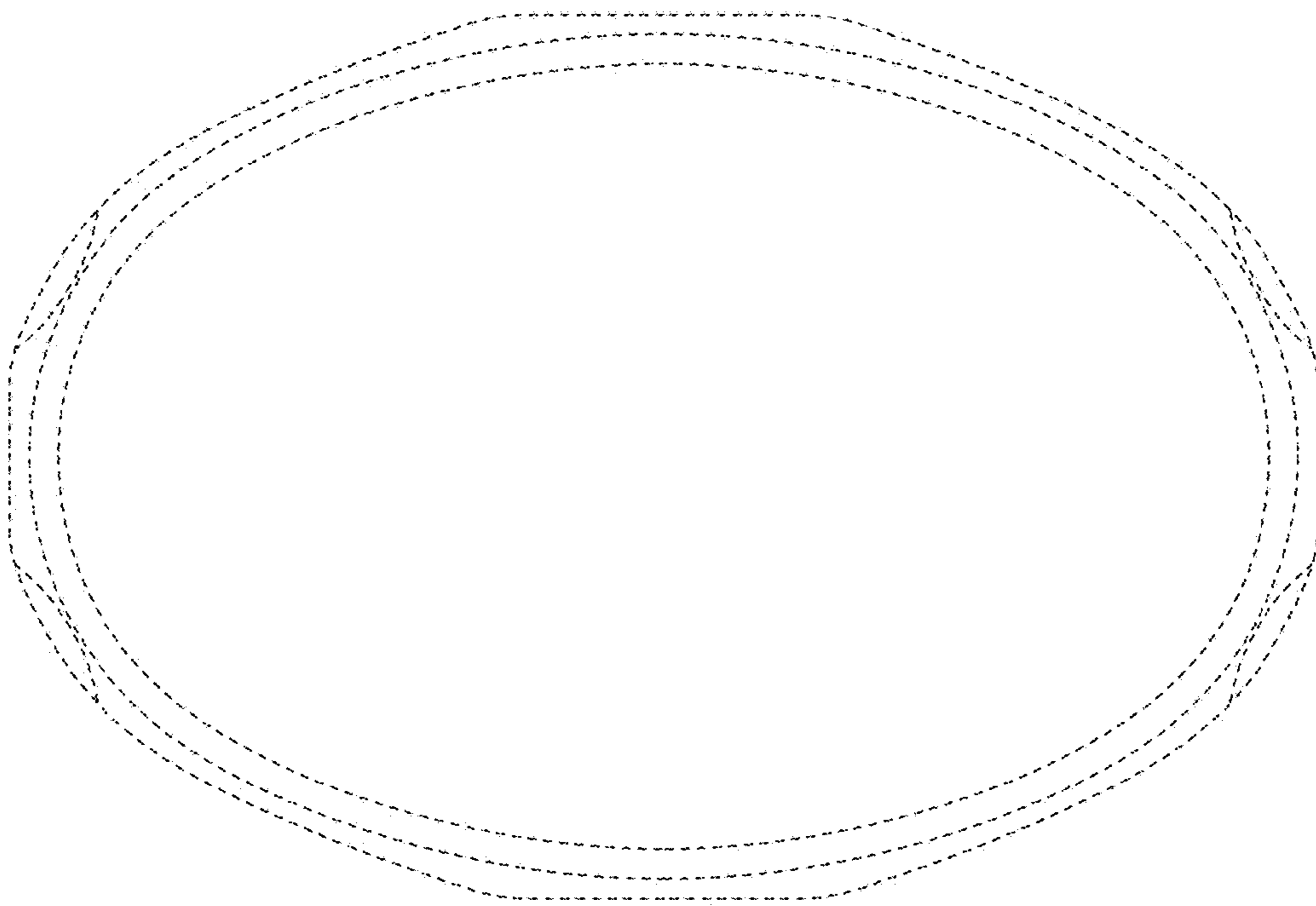


FIG. 9

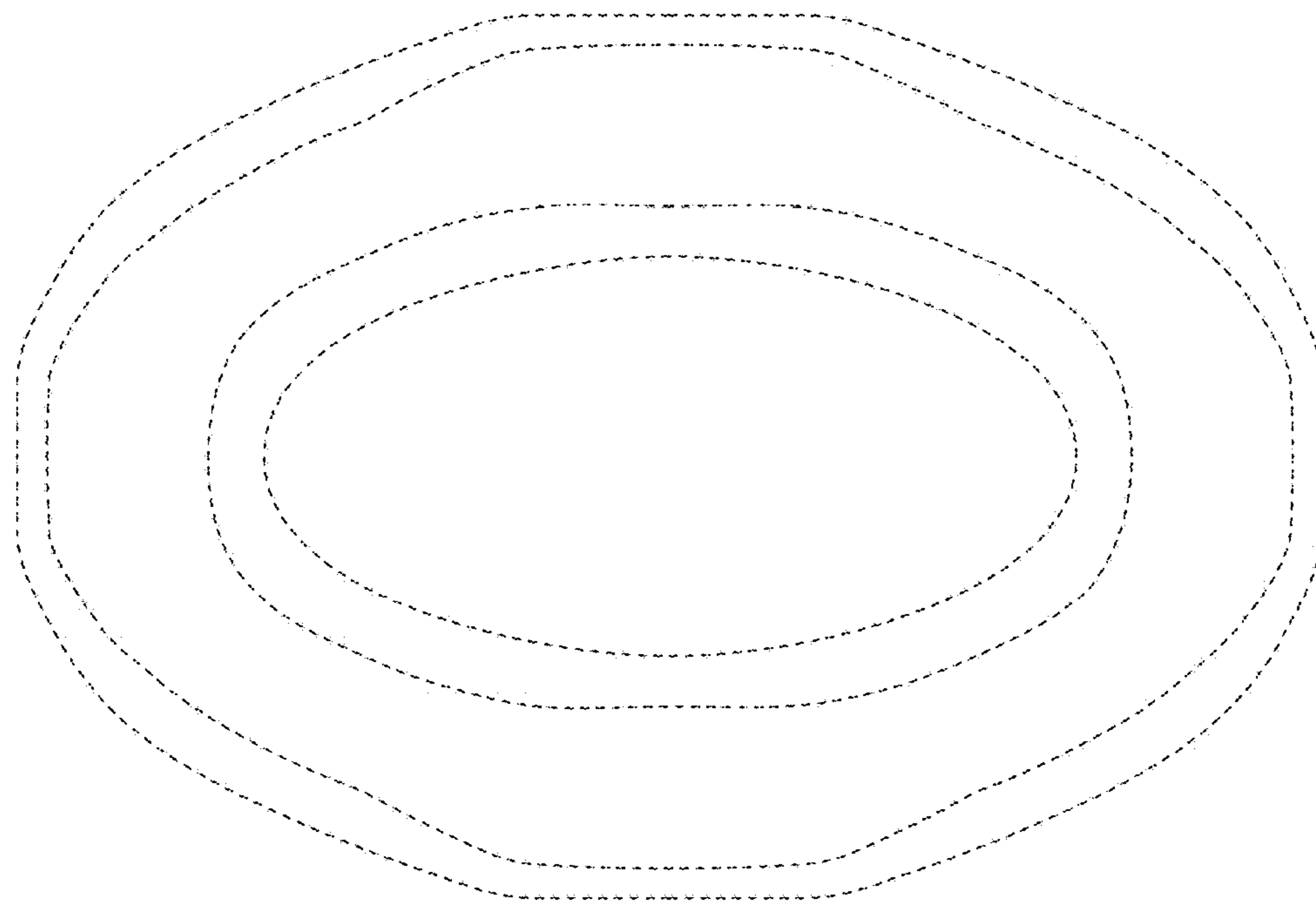


FIG. 10

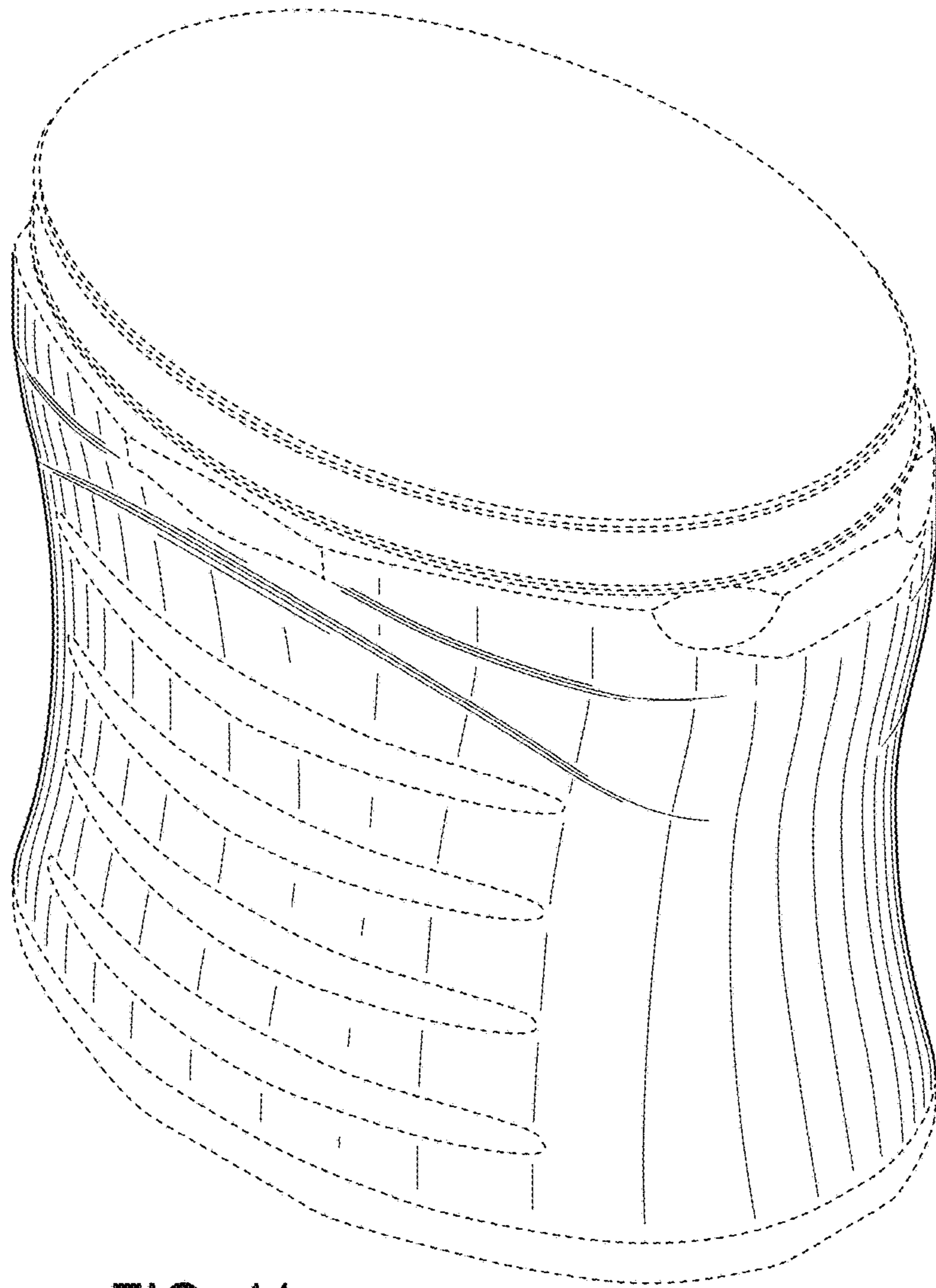


FIG. 11

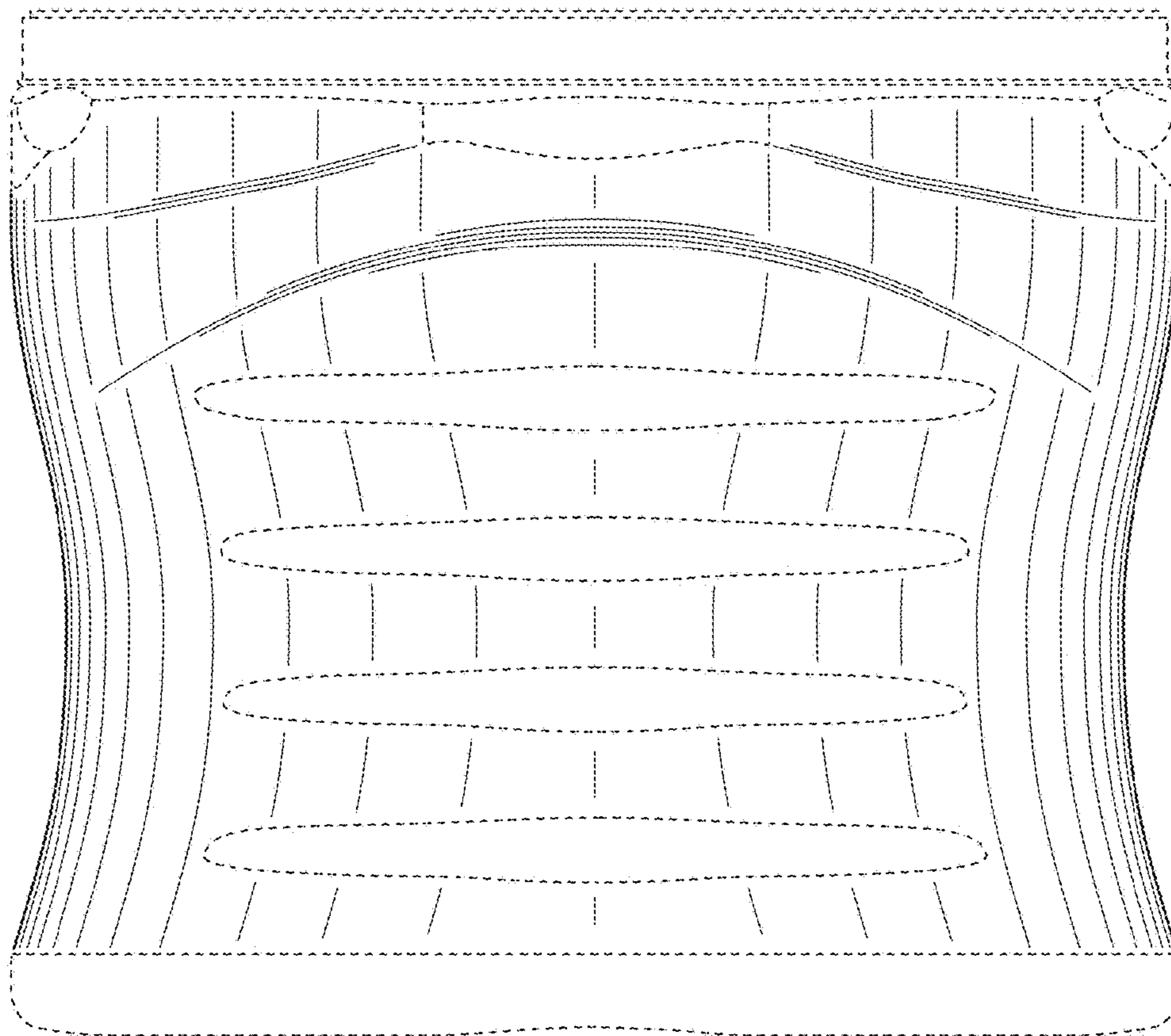


FIG. 12

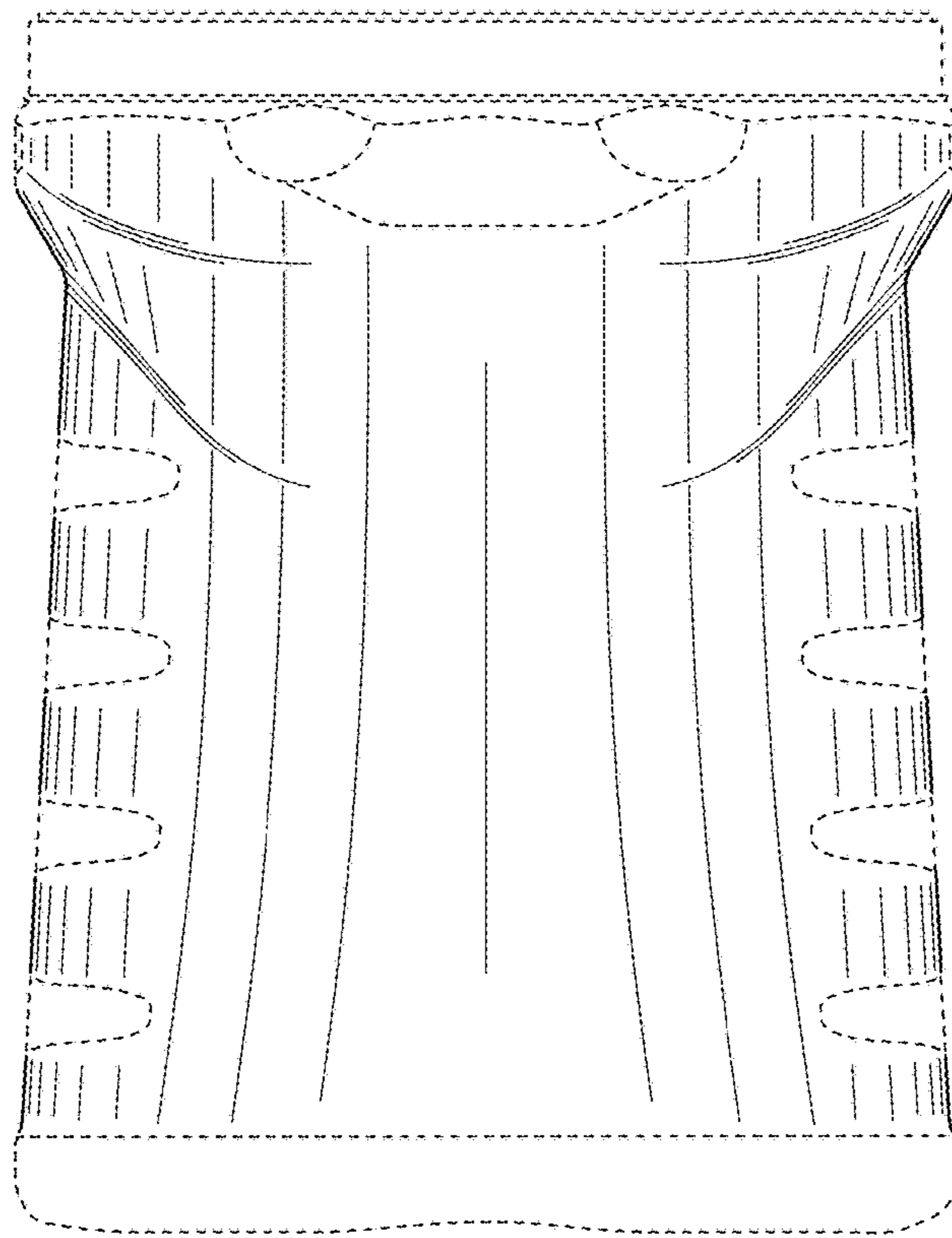


FIG. 13

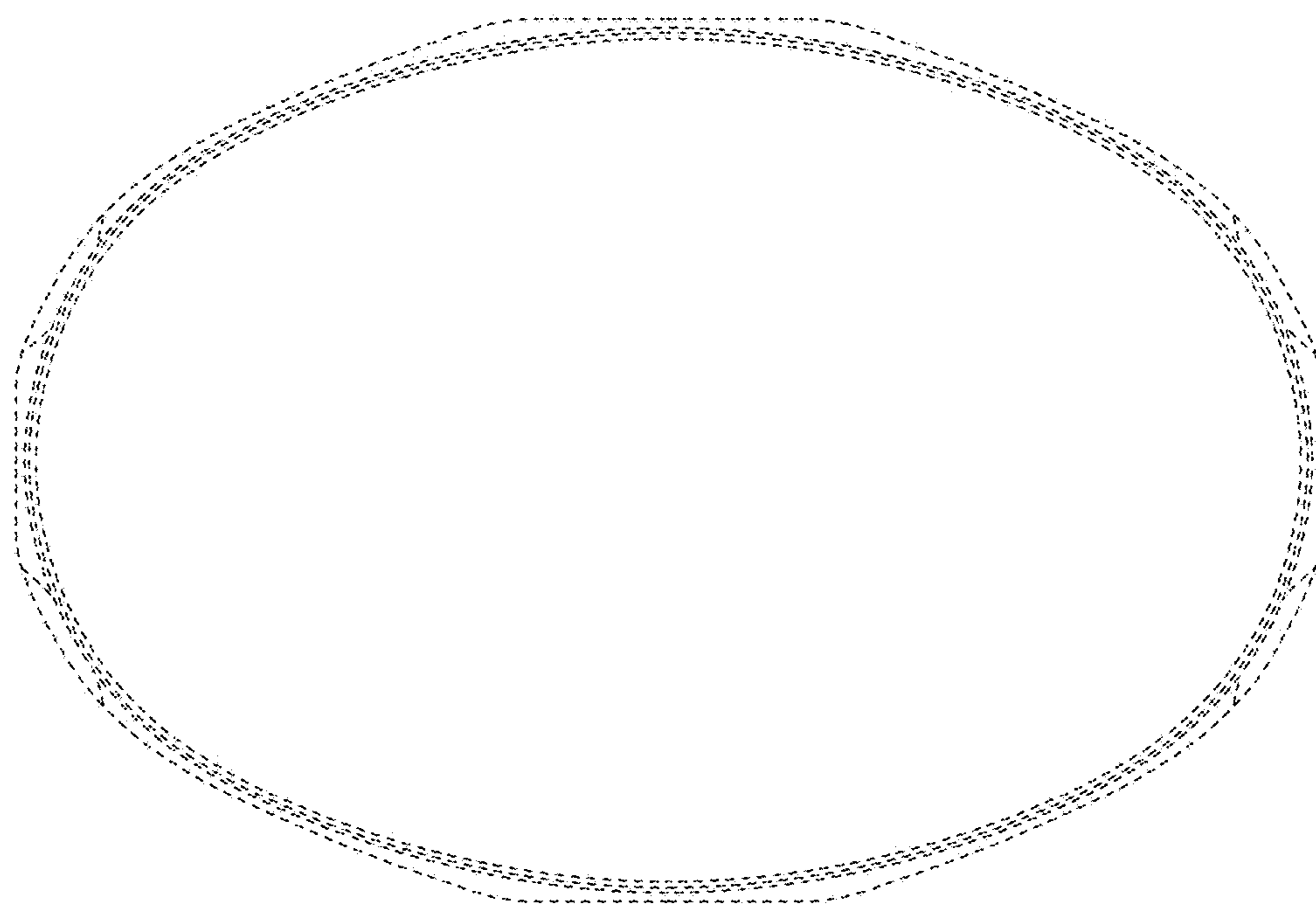


FIG. 14

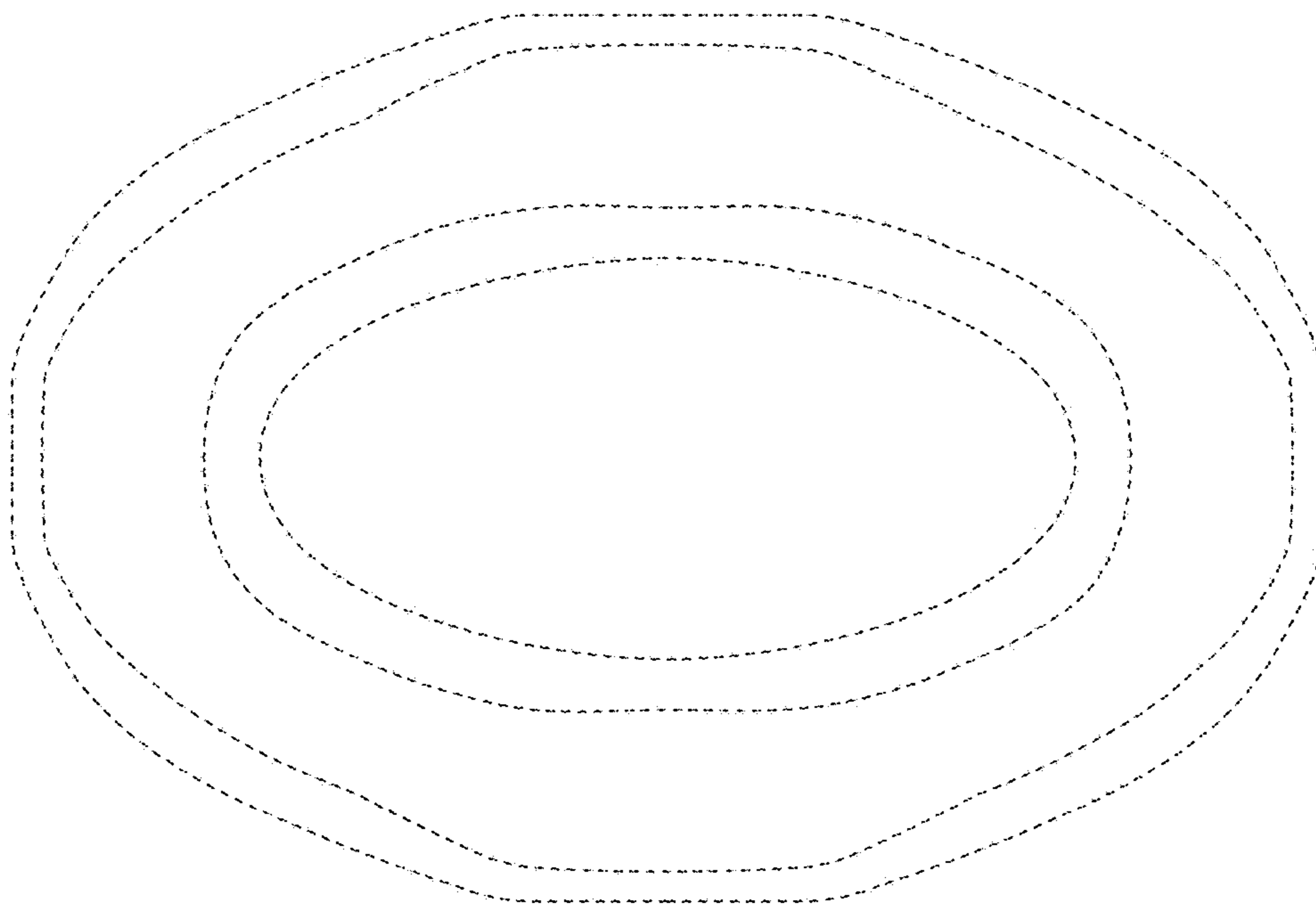


FIG. 15

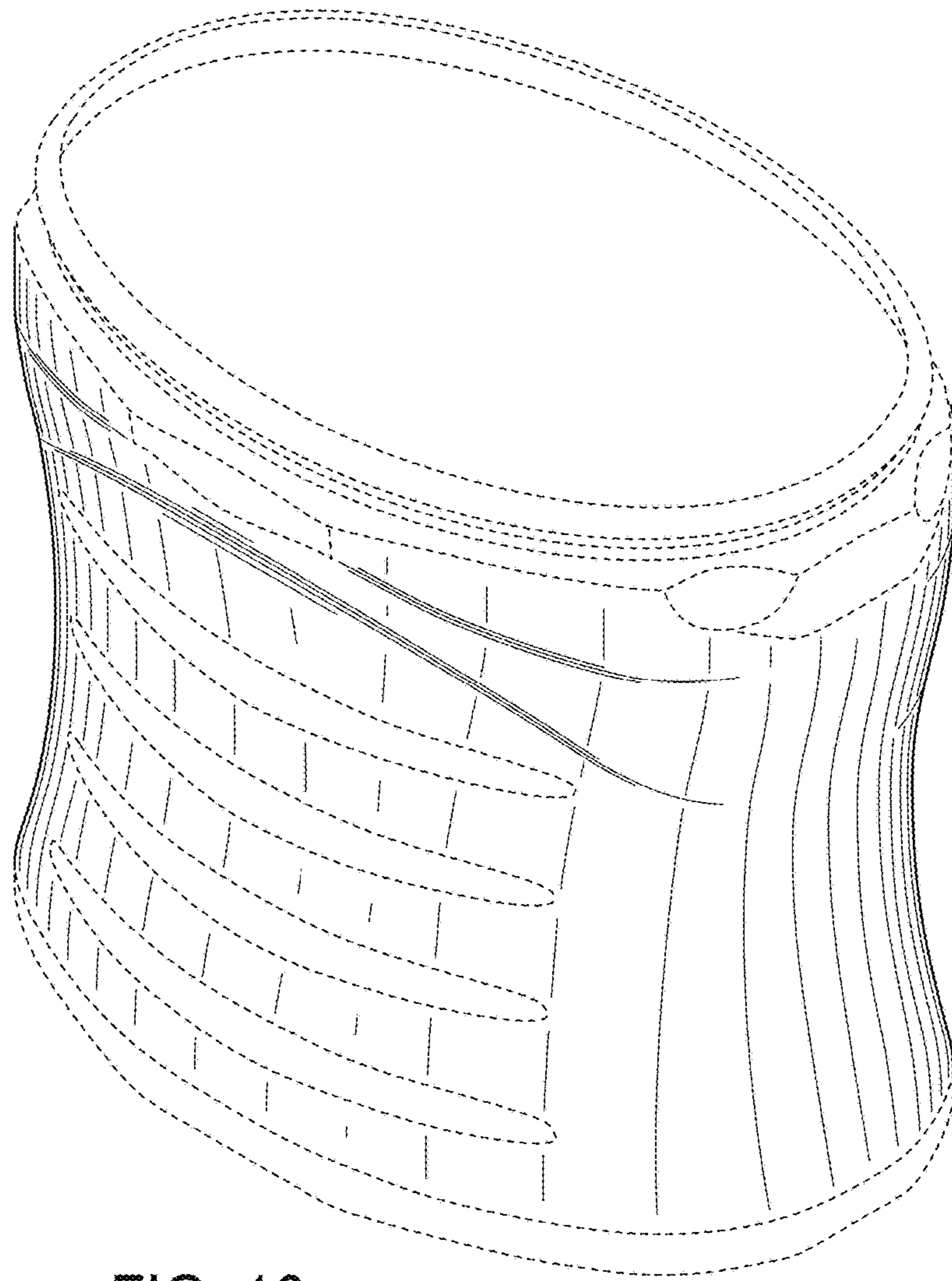


FIG. 16

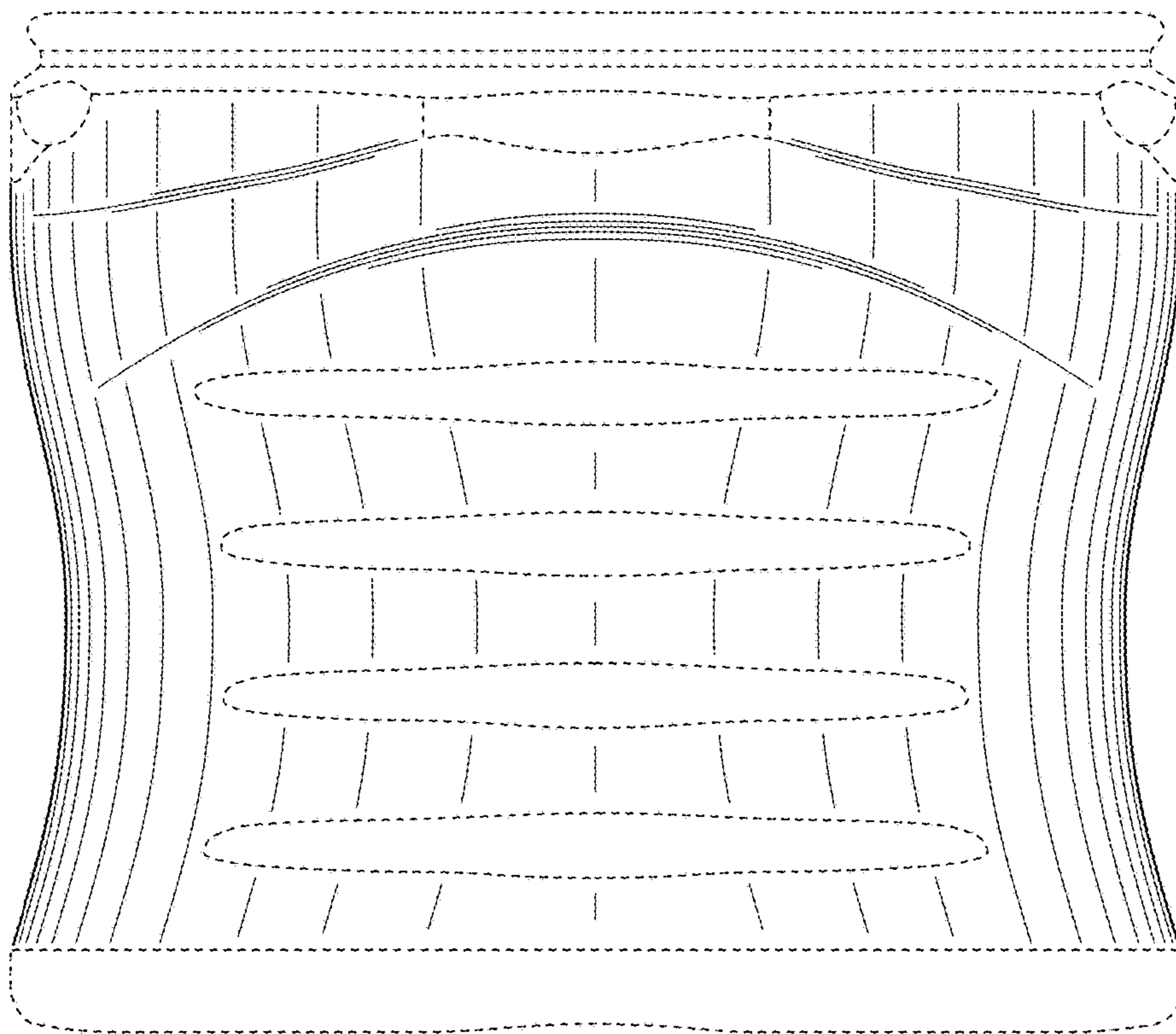


FIG. 17

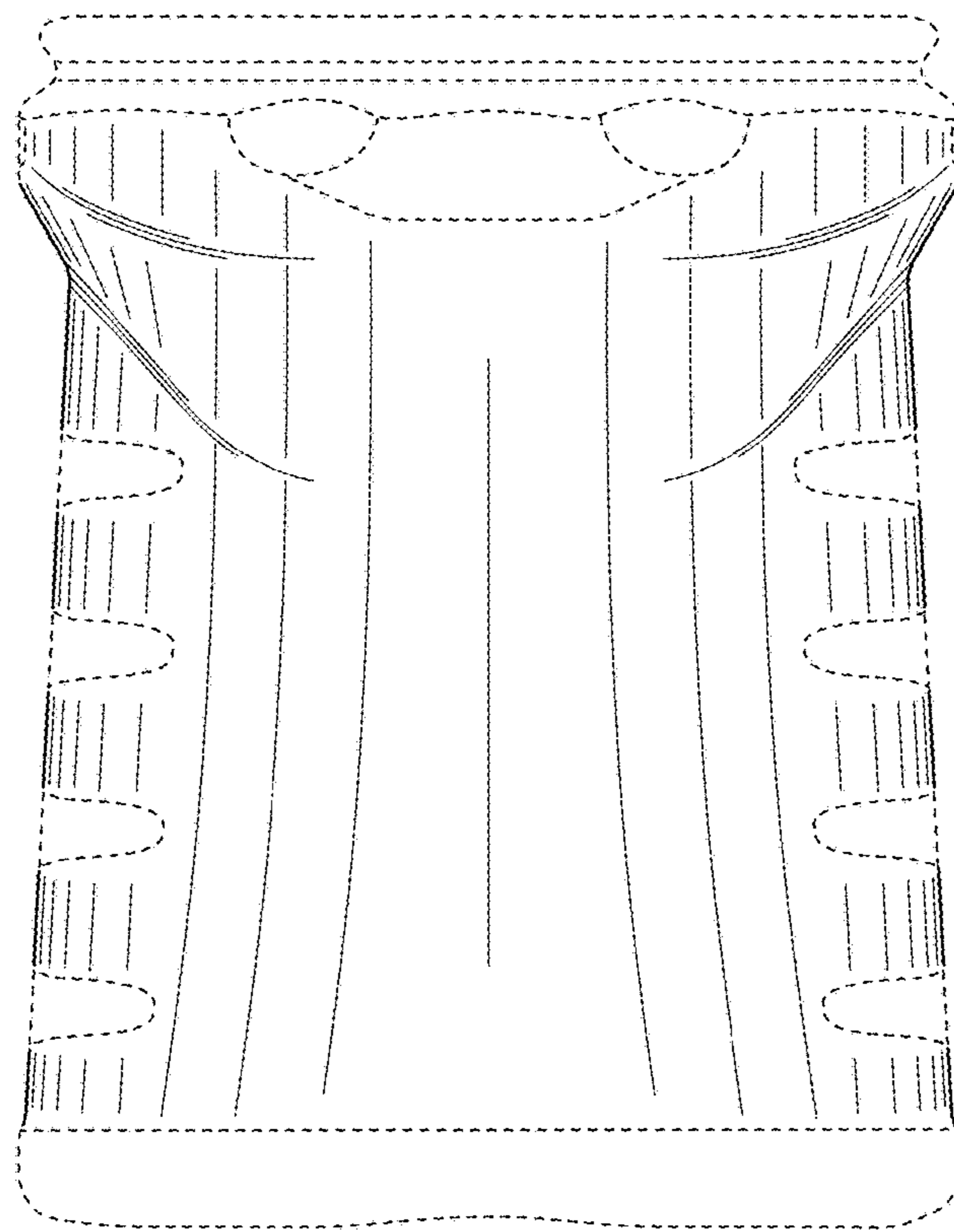


FIG. 18

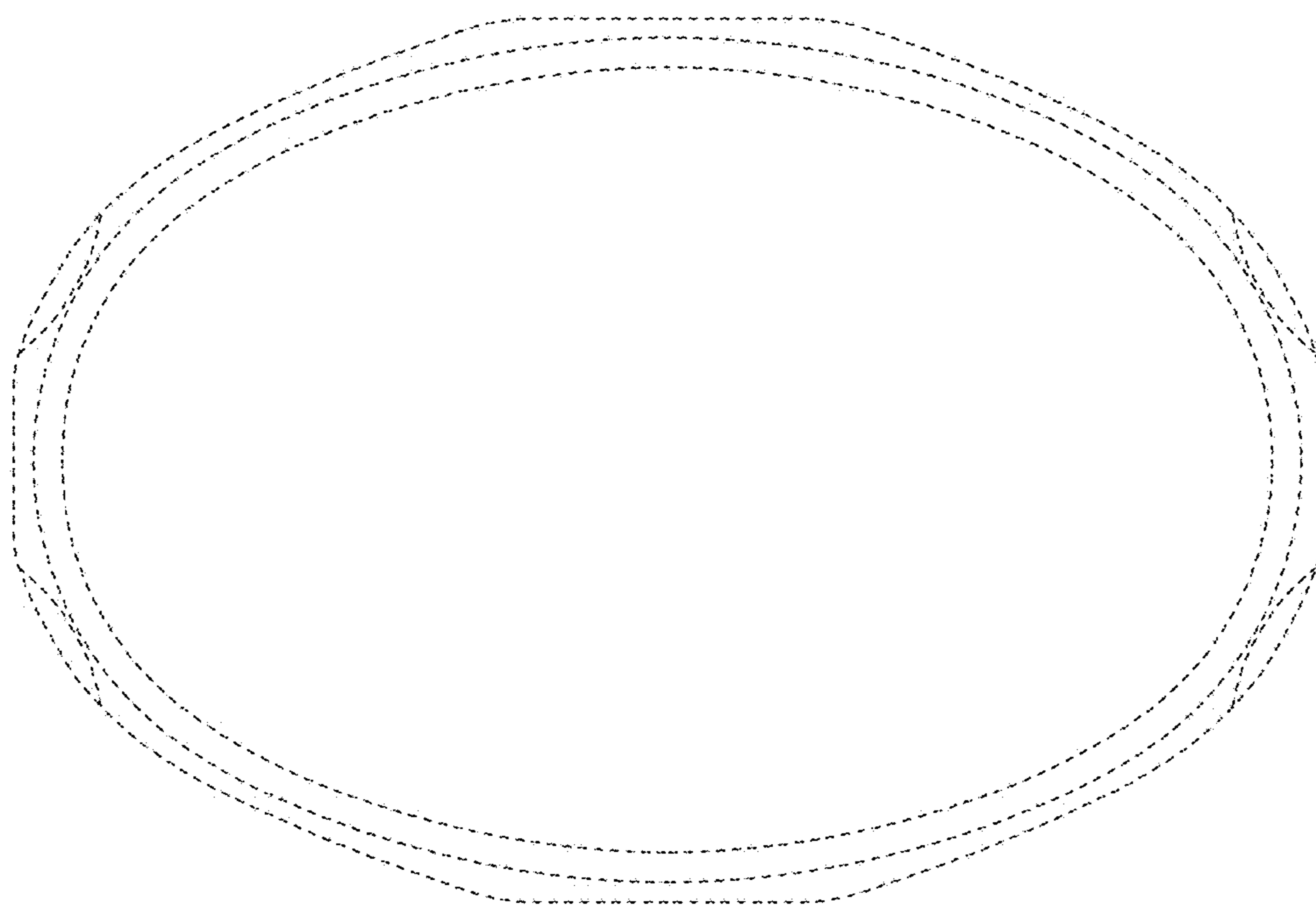


FIG. 19

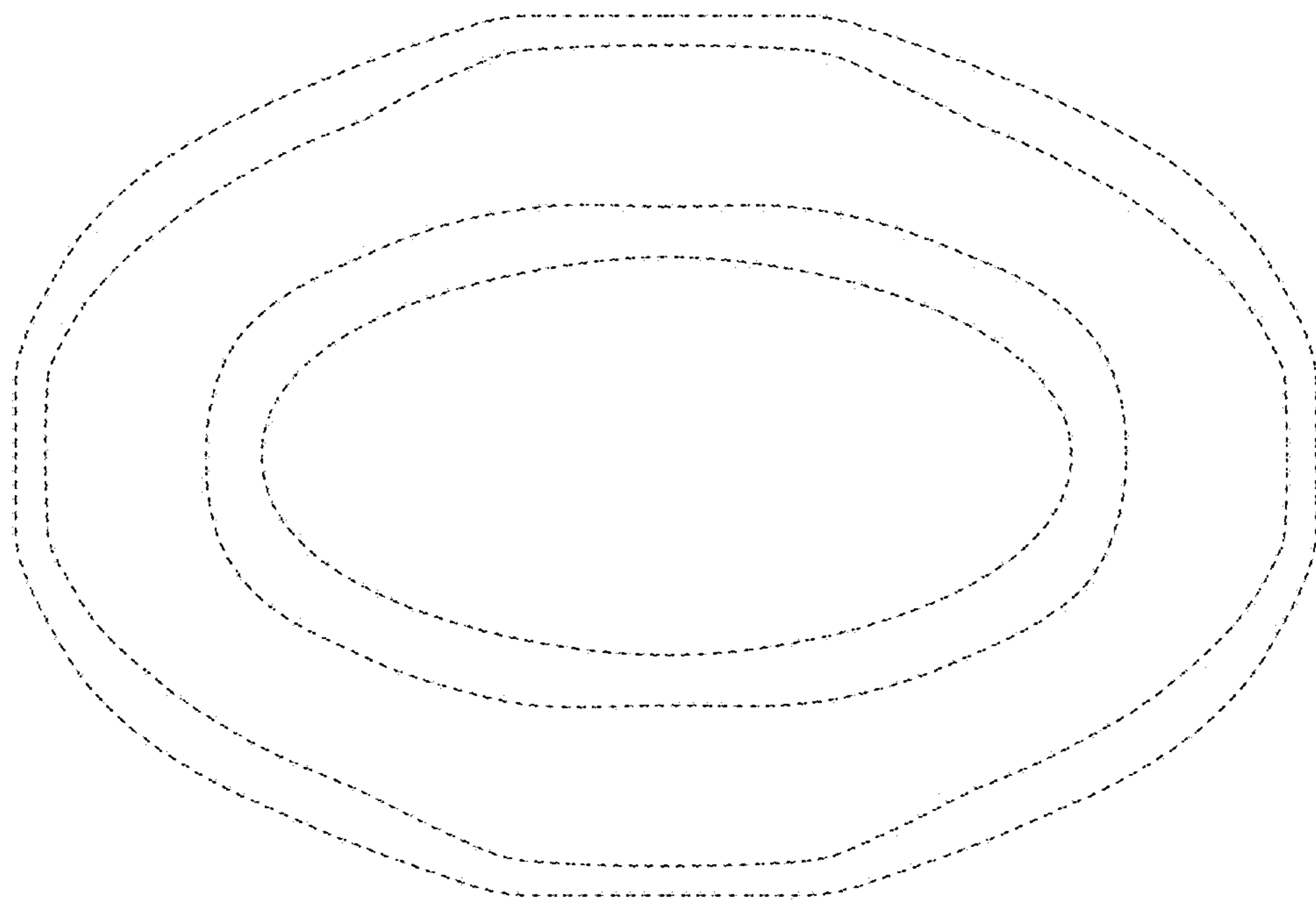


FIG. 20

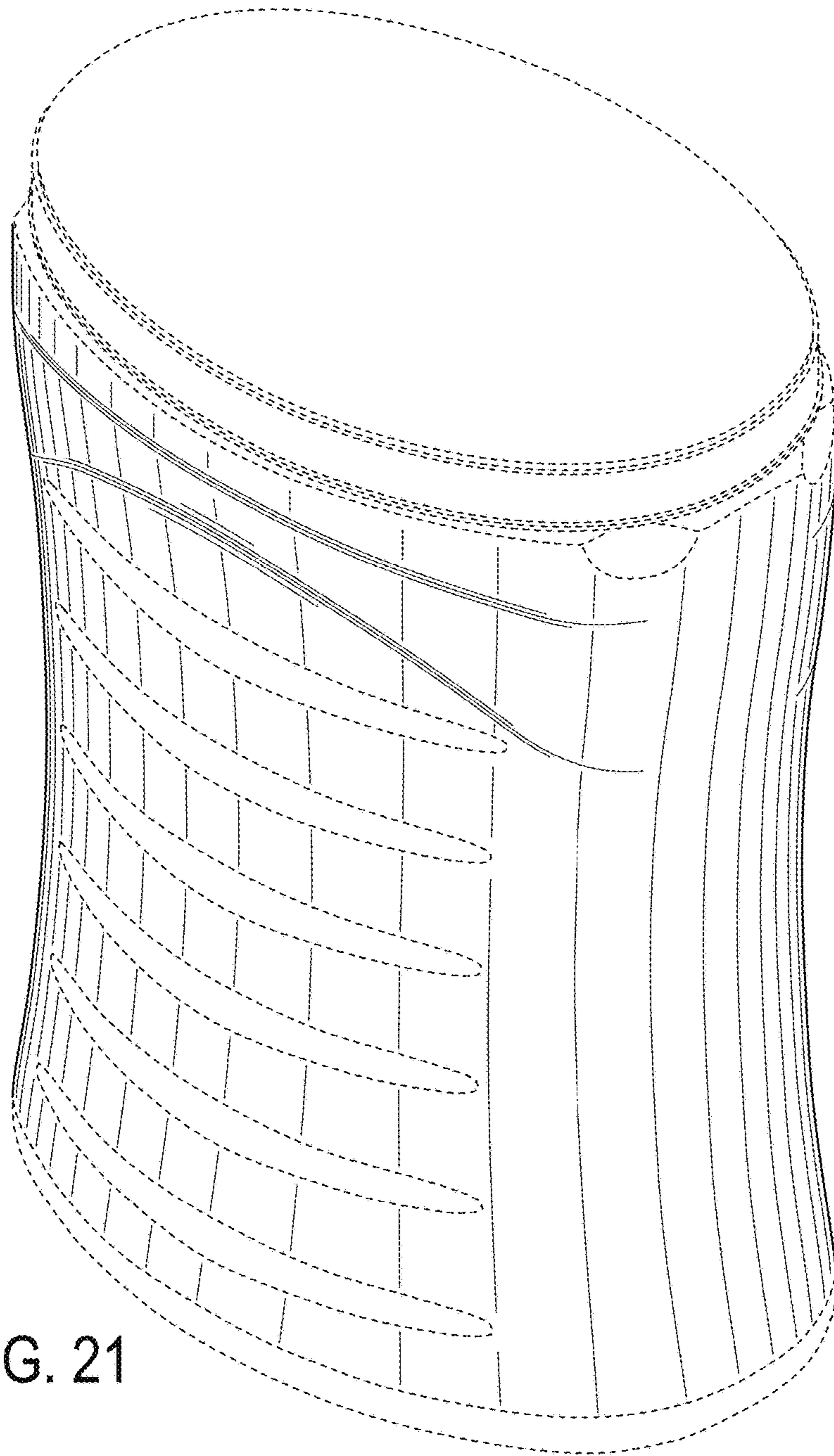


FIG. 21

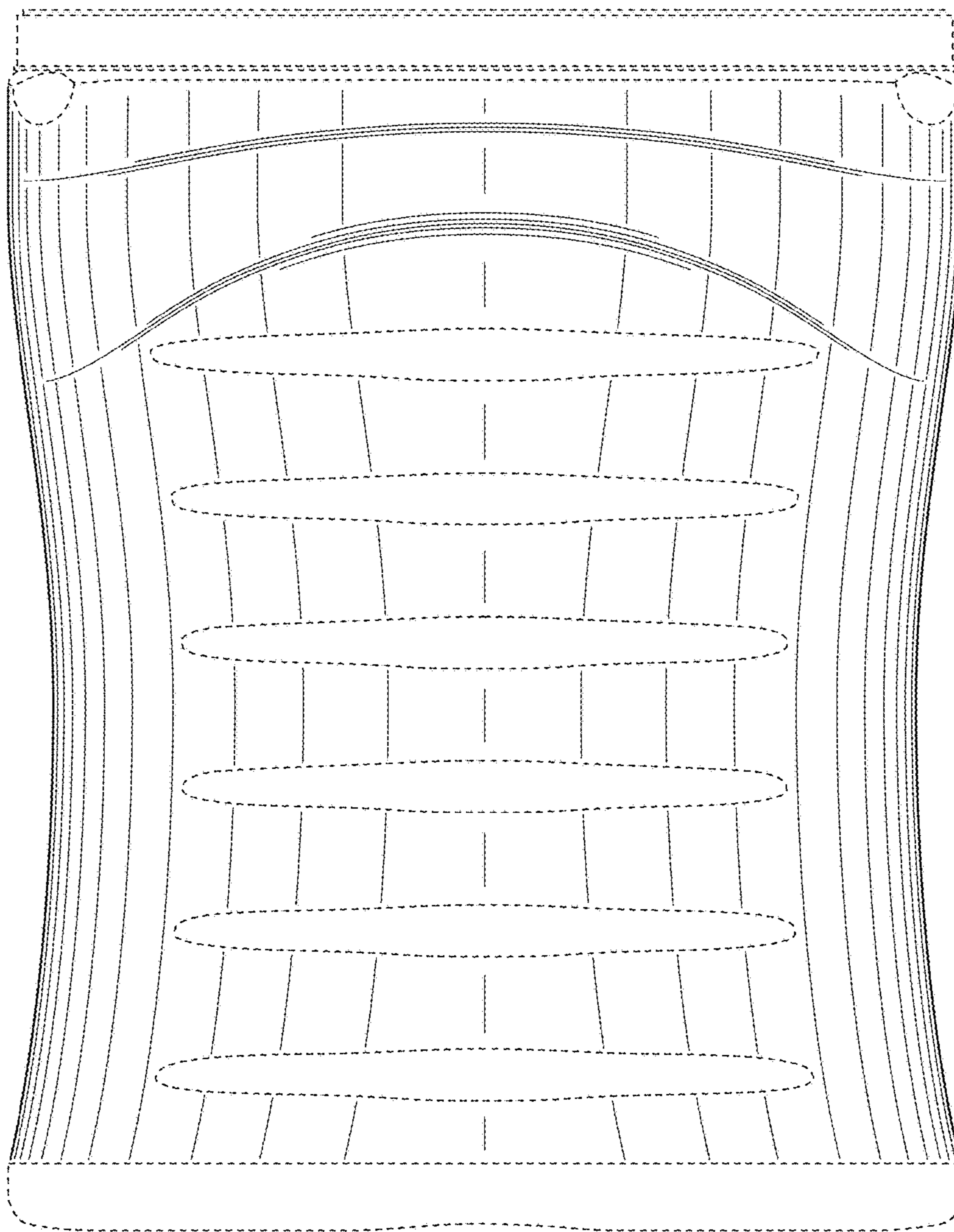


FIG. 22

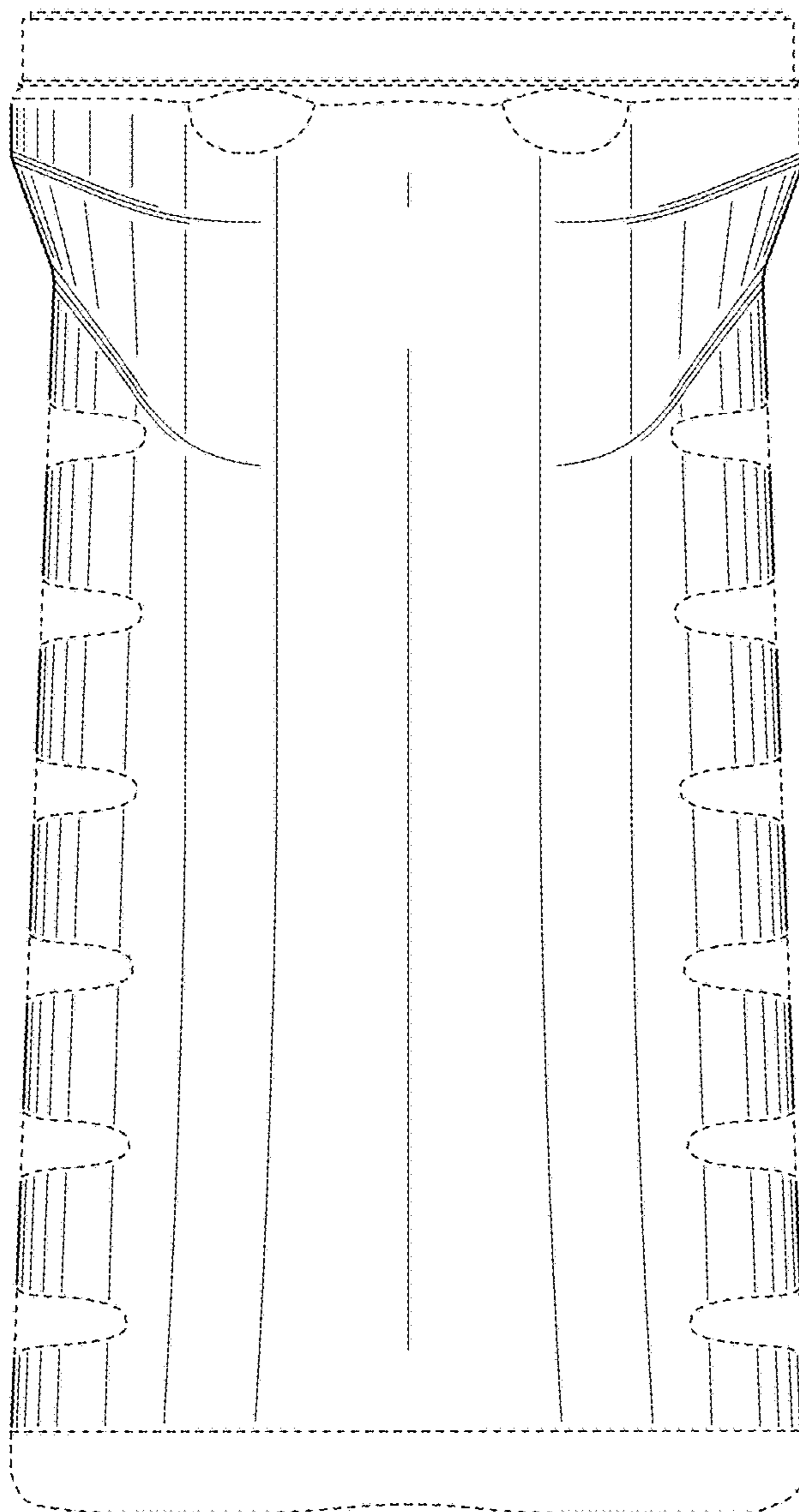


FIG. 23

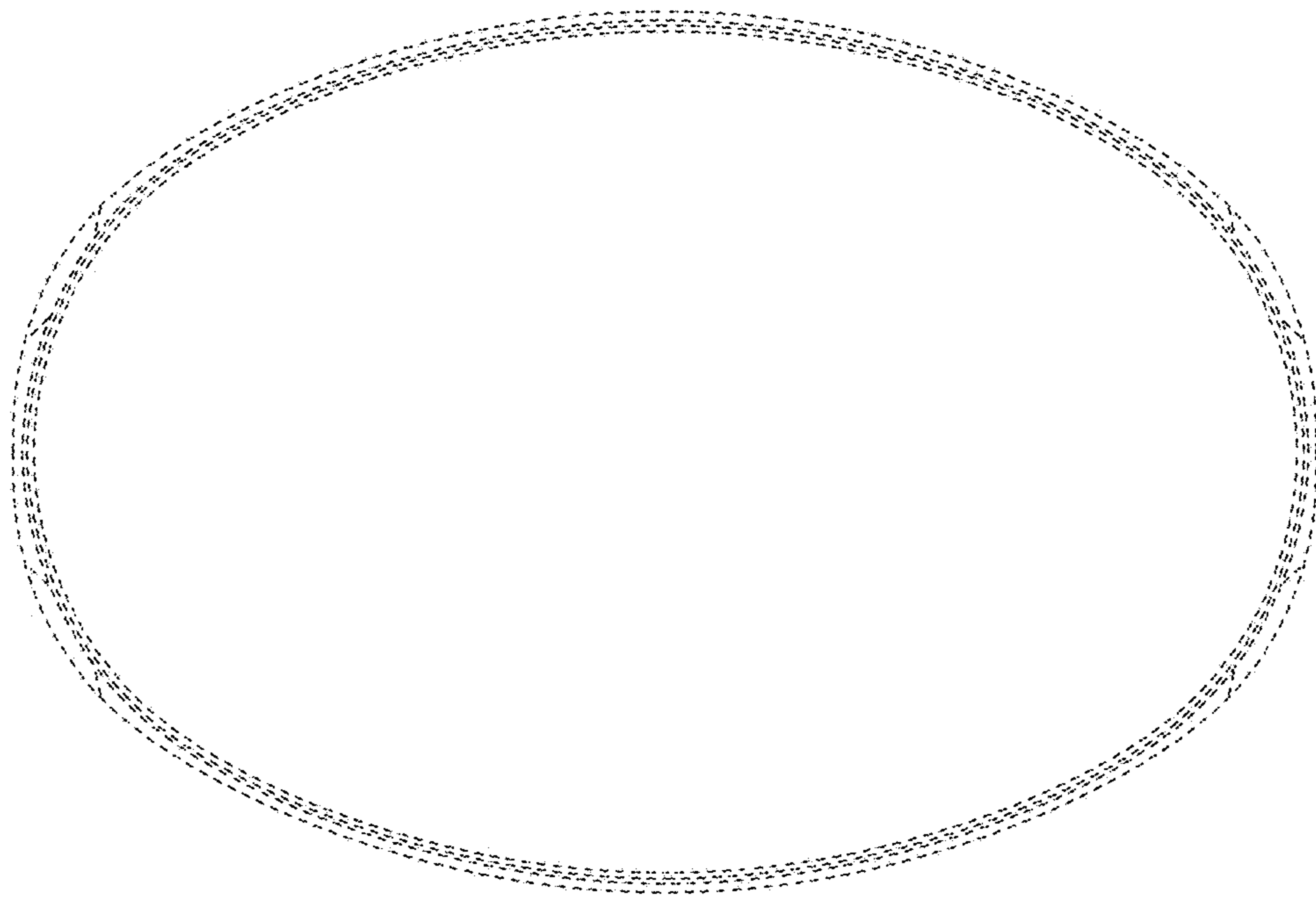


FIG. 24

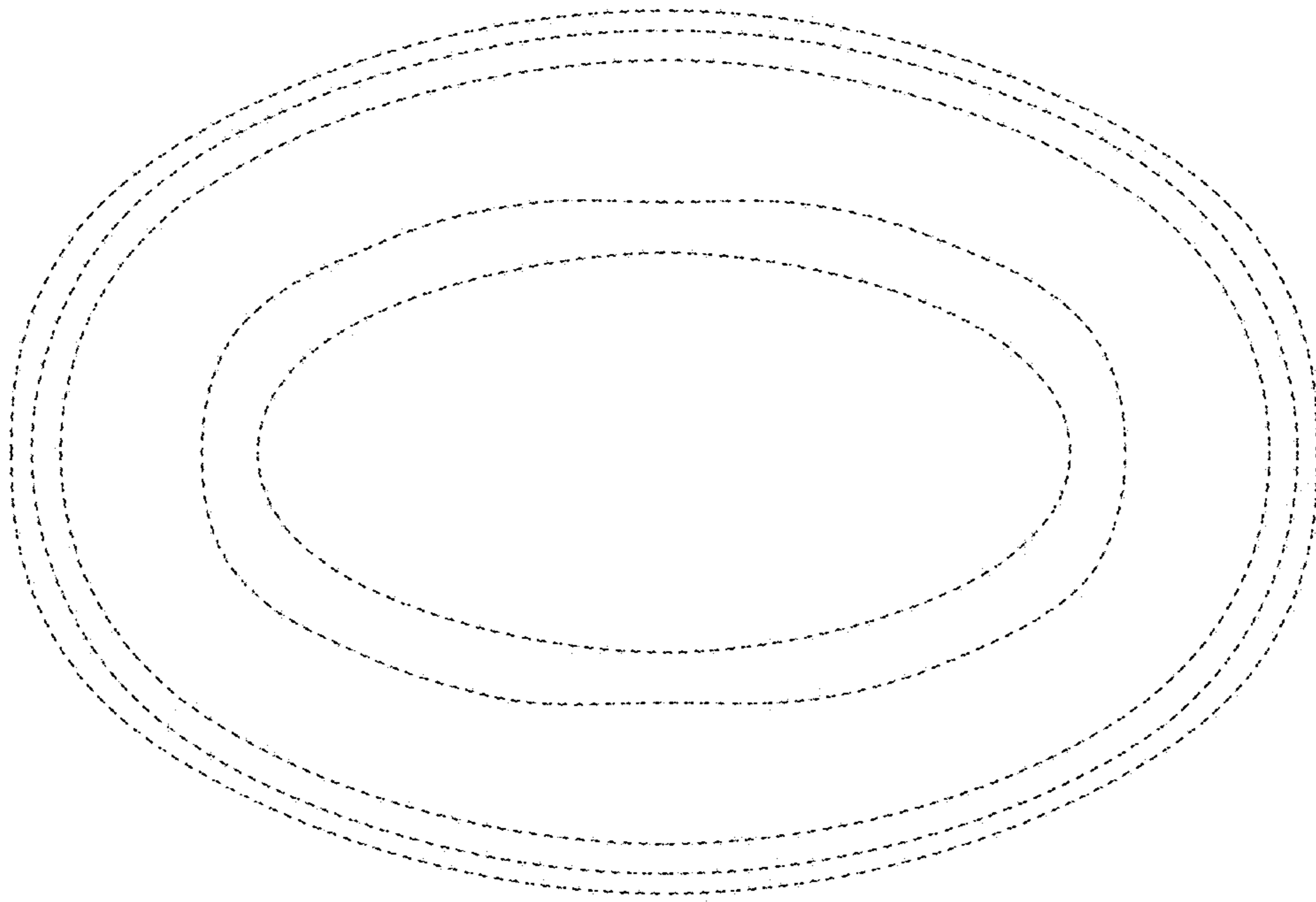


FIG. 25

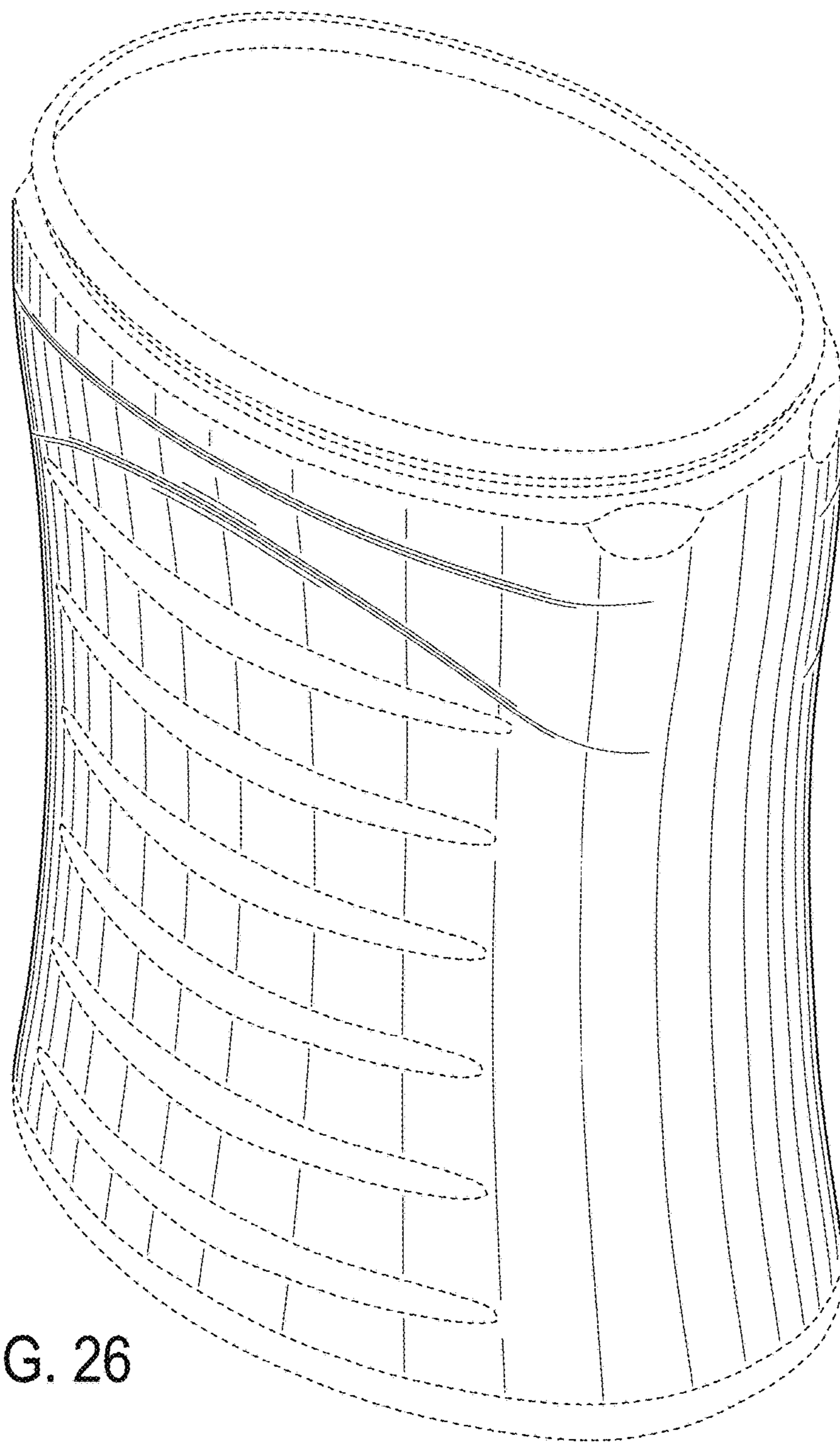


FIG. 26

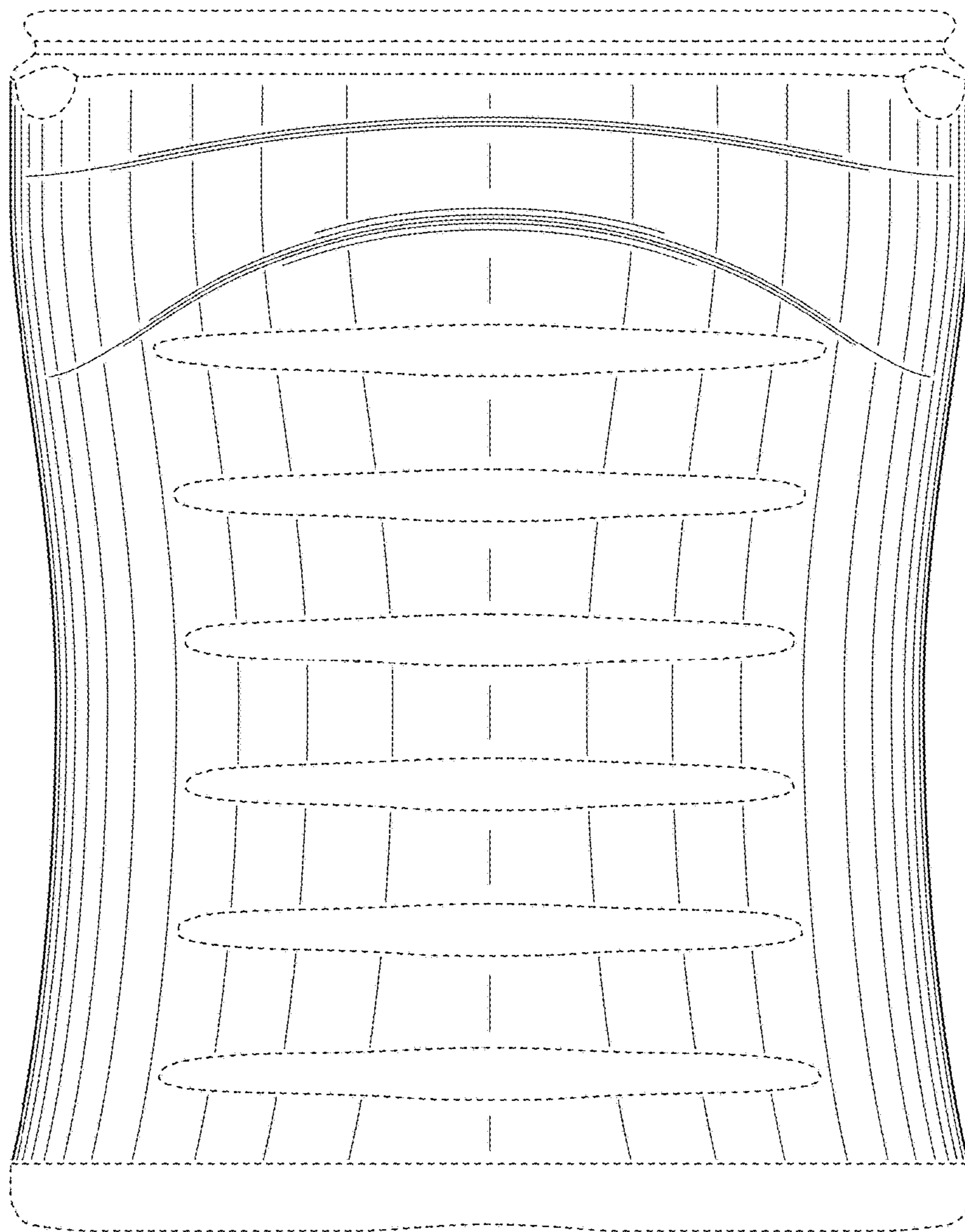


FIG. 27

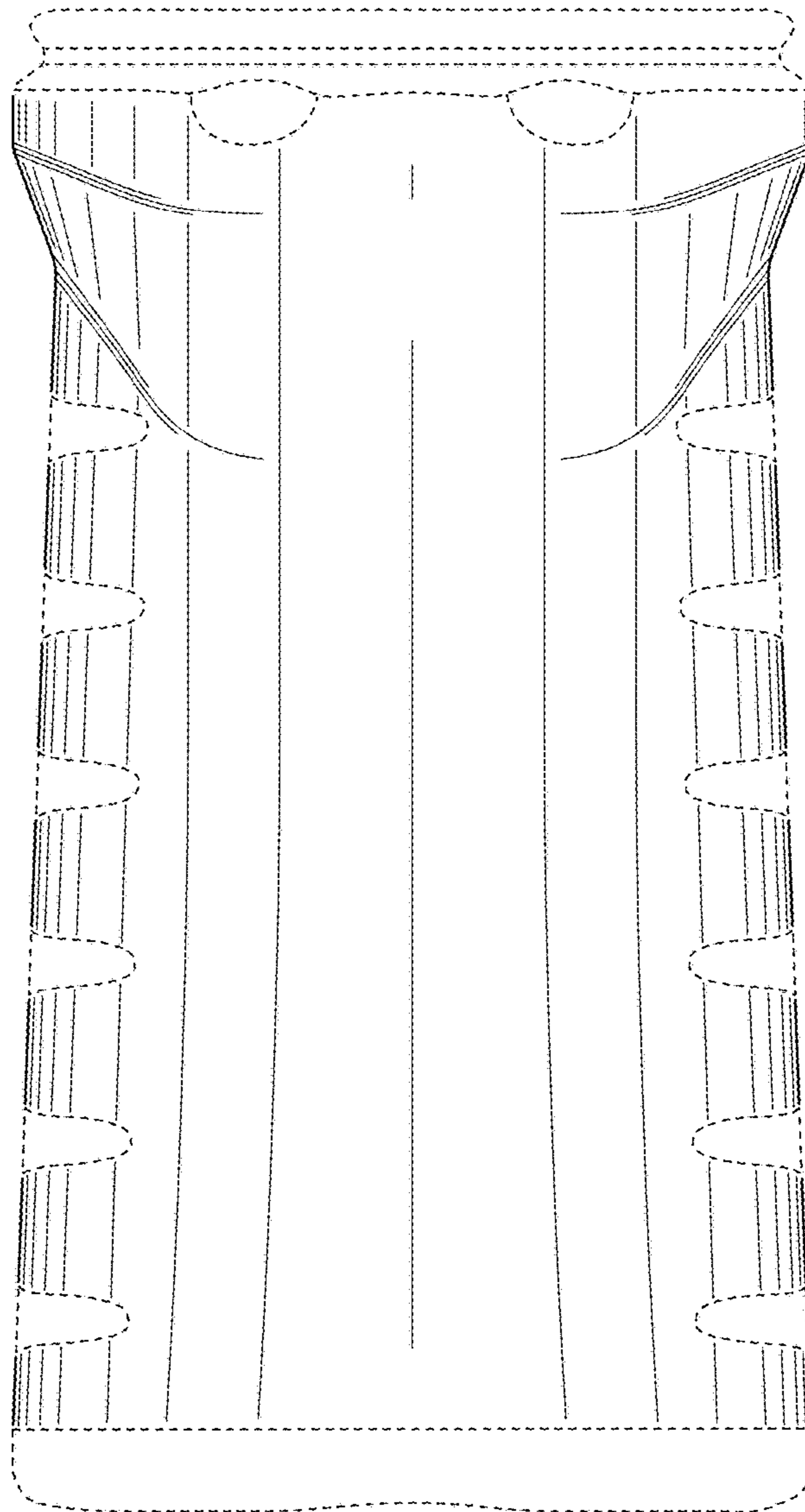


FIG. 28

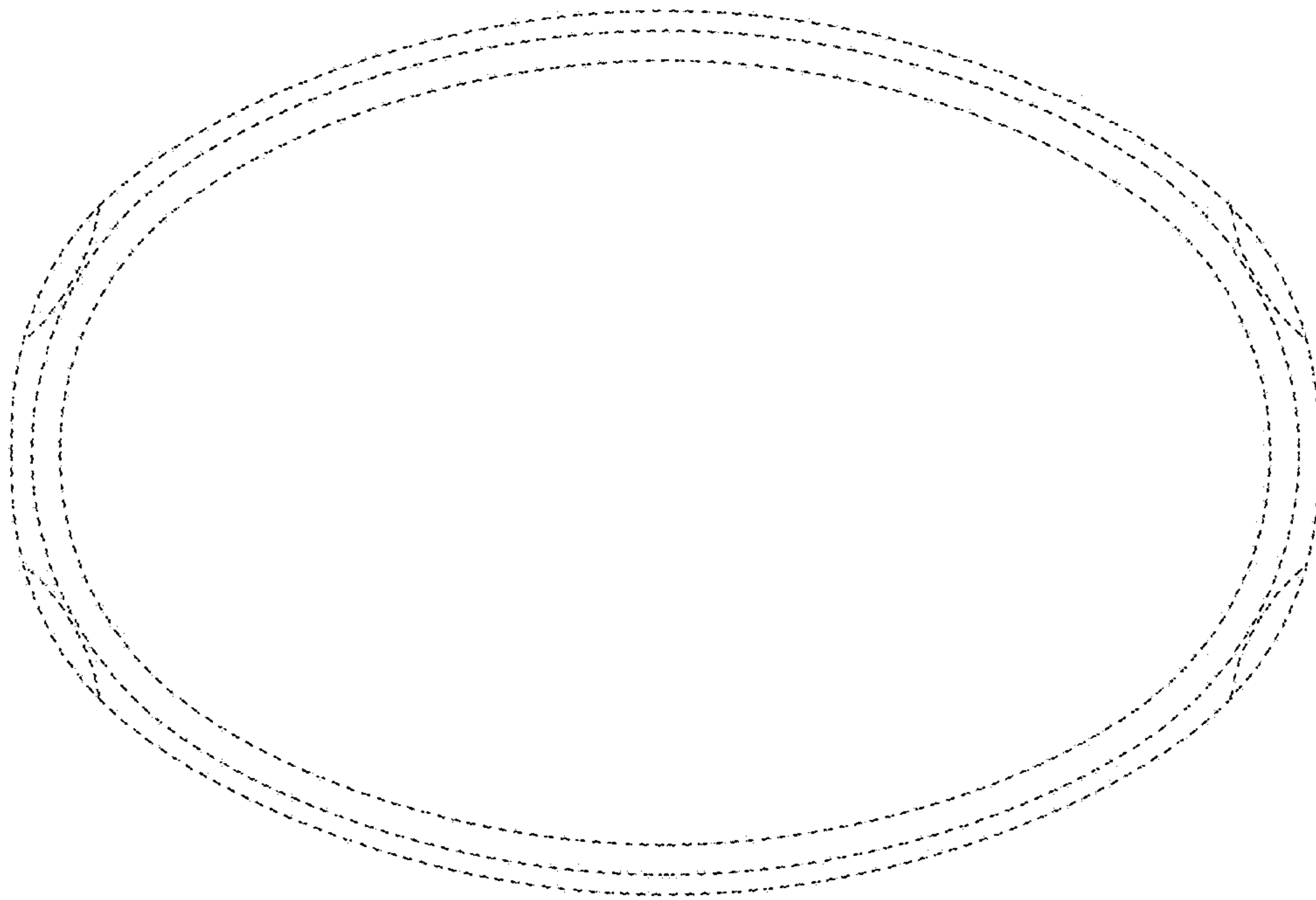


FIG. 29

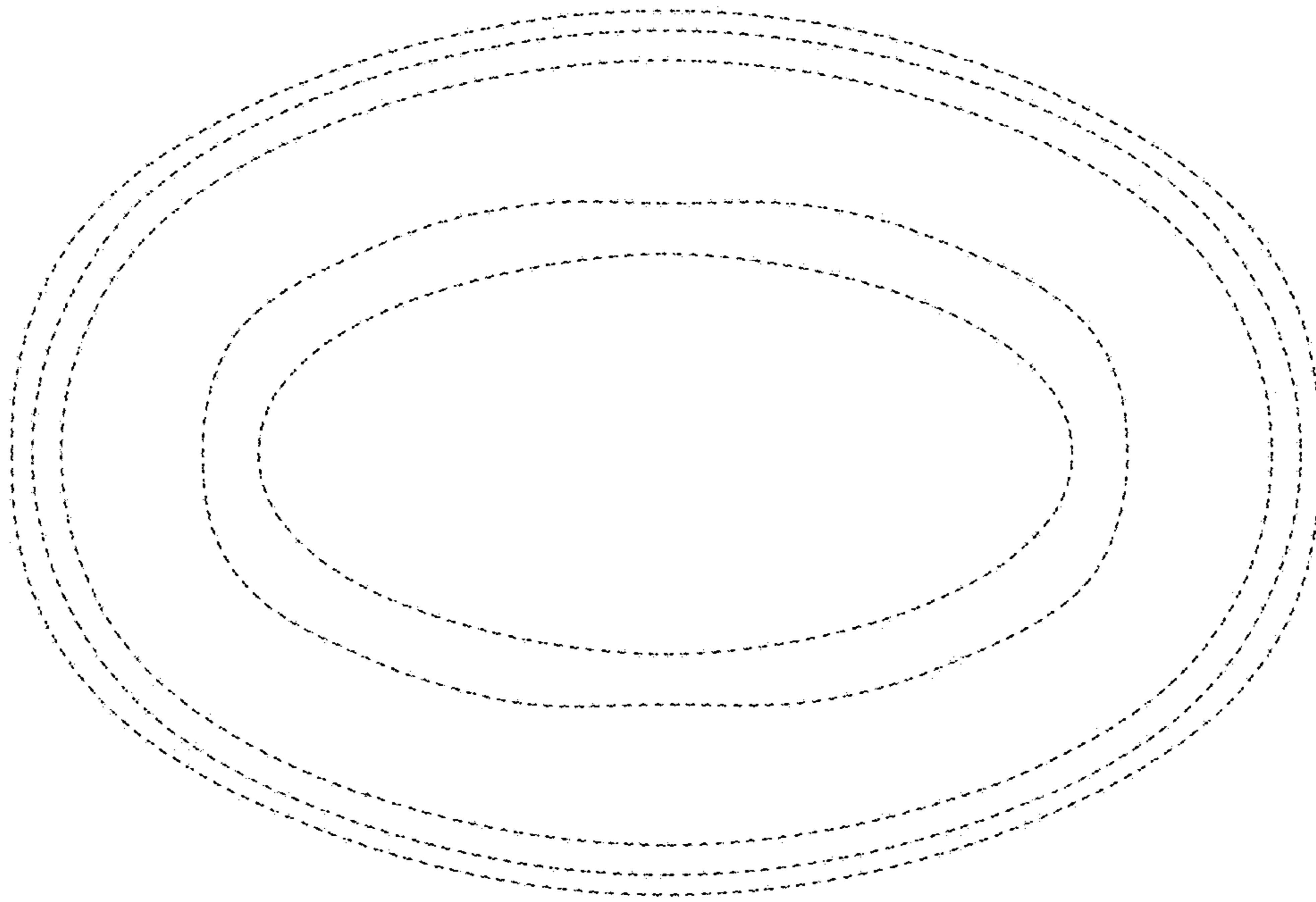


FIG. 30