



US00D846395S

(12) **United States Design Patent** (10) **Patent No.:** **US D846,395 S**
Luu et al. (45) **Date of Patent:** **** Apr. 23, 2019**

(54) **BOTTLE**

(71) Applicant: **LeChat**, Hercules, CA (US)

(72) Inventors: **Newton Luu**, Hercules, CA (US);
Christina Kleppe, Antioch, CA (US)

(73) Assignee: **LeChat**, Hercules, CA (US)

(**) Term: **15 Years**

(21) Appl. No.: **29/626,069**

(22) Filed: **Nov. 14, 2017**

Related U.S. Application Data

(60) Continuation of application No. 29/583,013, filed on Nov. 1, 2016, now Pat. No. Des. 802,420, which is a division of application No. 29/494,524, filed on Jun. 20, 2014, now Pat. No. Des. 770,285.

(51) **LOC (11) Cl.** **09-01**

(52) **U.S. Cl.**
USPC **D9/500**; D9/502

(58) **Field of Classification Search**
USPC D9/434–435, 447, 452, 454, 500,
D9/502–504, 516, 529, 530, 537–539,
D9/548–549, 557–558, 682, 686,
D9/688–692, 723; D4/116; D28/7,
D28/76–77, 88

CPC B65D 1/0002; B65D 1/0223; B65D 23/00;
B65D 81/00; B65D 83/00; B65D
2501/00; B65D 2501/0009; A45D 34/00;
A45D 34/42; A45D 34/45; A45D 34/46;
A45D 34/48; A45D 34/06; A45D
2034/007; A45D 40/0068; A45D 40/0075;
A45D 40/26; A45D 40/262; A45D
40/264; A45D 40/265

See application file for complete search history.

(56) **References Cited**

U.S. PATENT DOCUMENTS

D111,313 S	9/1938	Titze	
D116,813 S	9/1939	Bost	
D117,843 S	11/1939	Smith	
D166,116 S	3/1952	Menefee, Jr.	
2,832,981 A	5/1956	Ernst	
3,337,901 A	8/1967	Schefer	
D208,885 S	10/1967	Roehrich	
D216,250 S	12/1969	Kneapler	
D252,445 S	7/1979	Rhodes	
4,189,245 A	2/1980	Bennett	
4,280,638 A	7/1981	Keihm	
D316,034 S	4/1991	DeGaetano	
D329,592 S	9/1992	Crawford	
D330,859 S	11/1992	Schaeffer	
D344,804 S	3/1994	Muniz	
D379,764 S	6/1997	Litton	
D383,980 S	9/1997	Abfier et al.	
D469,356 S	1/2003	Vo	
D471,108 S *	3/2003	Calderone, Jr.	D9/520
6,966,716 B2	11/2005	Pink	
7,311,457 B2	12/2007	Pink	
D561,027 S	2/2008	Nguyen	
D604,167 S	11/2009	Tran et al.	
D695,121 S	12/2013	Seo	

(Continued)

Primary Examiner — Dana Meyrow

(74) *Attorney, Agent, or Firm* — Aka Chan LLP

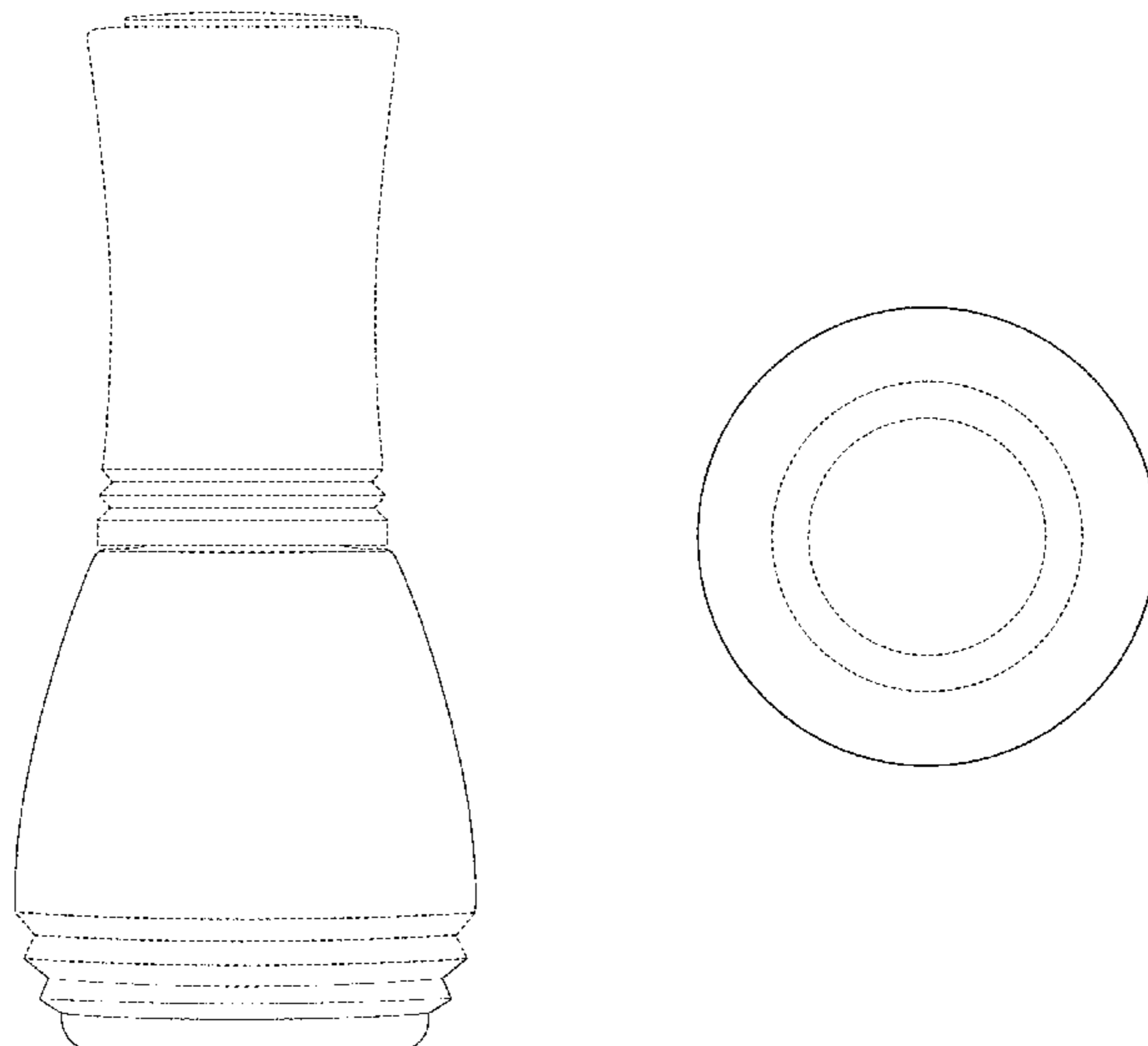
(57) **CLAIM**

The ornamental design for a bottle, as shown and described.

DESCRIPTION

FIG. 1 shows a perspective view of a design for a bottle. FIG. 2 shows a side view of the design. FIG. 3 shows a top view of the design; and, FIG. 4 shows a bottom view of the design. The broken lines in the drawings illustrate the portions of the design that form no part of the claim.

1 Claim, 4 Drawing Sheets



(56)

References Cited

U.S. PATENT DOCUMENTS

D701,124	S	3/2014	O'Hara	
D721,966	S	2/2015	Mathiez	
D758,737	S	6/2016	Tan et al.	
D770,284	S	11/2016	Luu et al.	
D770,285	S	11/2016	Luu et al.	
D770,295	S	11/2016	Luu et al.	
D770,901	S	11/2016	Luu et al.	
D802,420	S *	11/2017	Luu	D9/452
D805,910	S *	12/2017	Luu	D9/560
D817,763	S *	5/2018	Isaksen	D9/500
2002/0039513	A1	4/2002	Pink	
2006/0213863	A1	9/2006	Tran et al.	

* cited by examiner

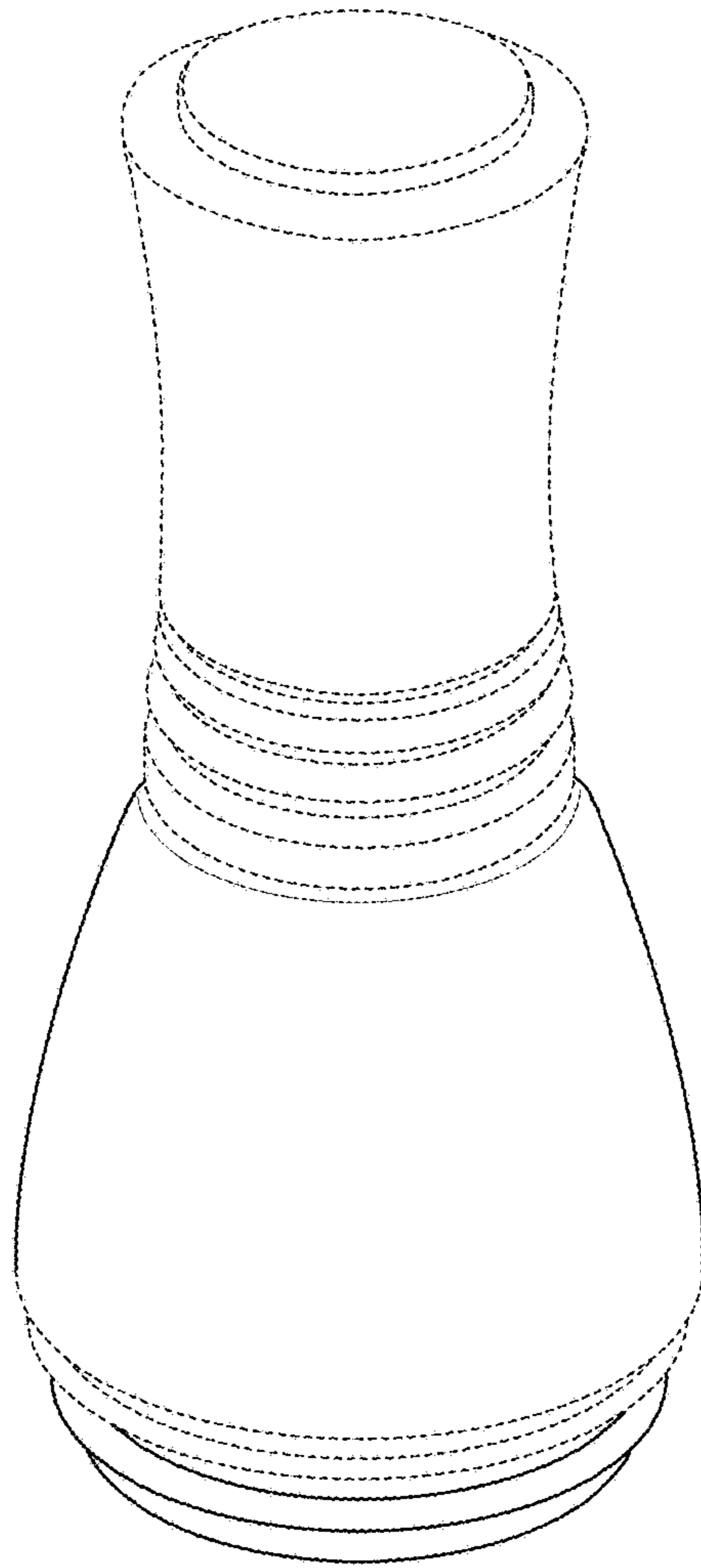


FIG. 1

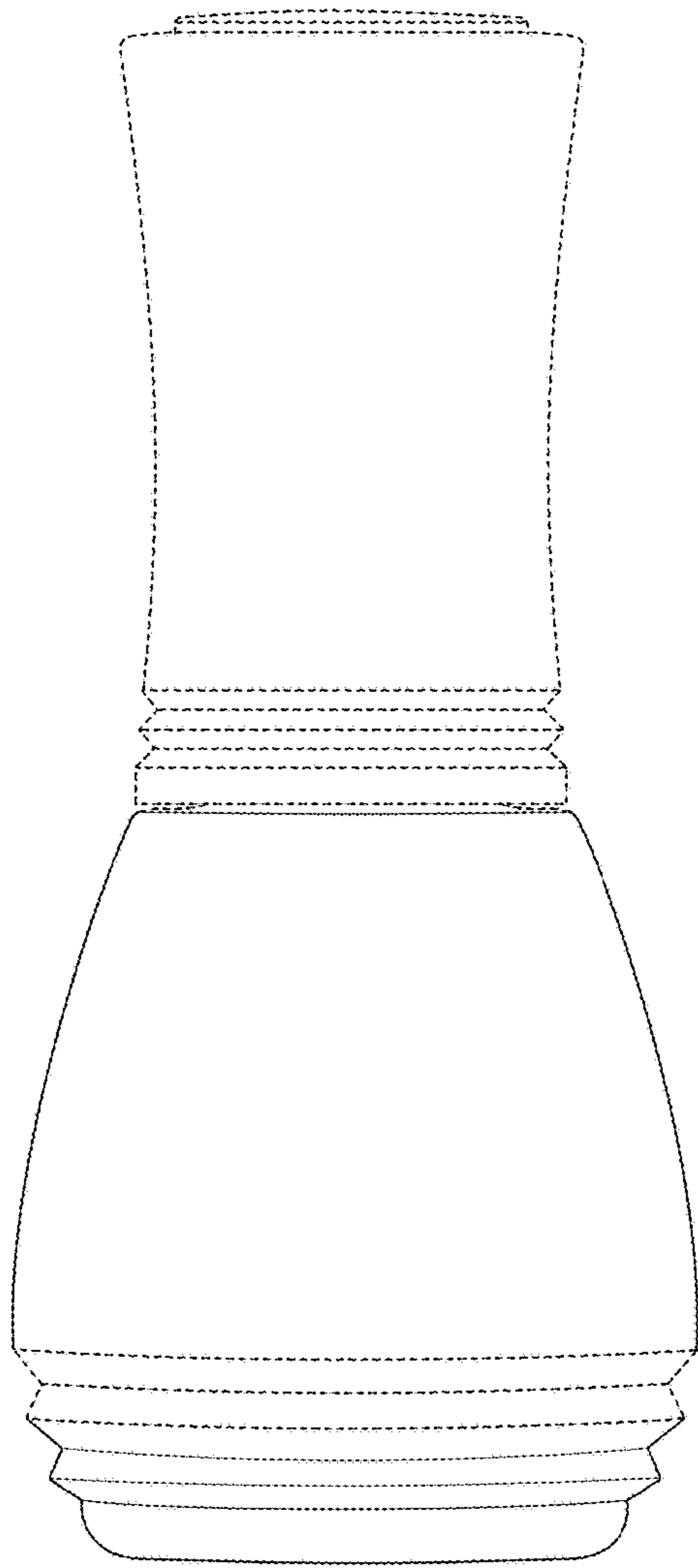


FIG. 2

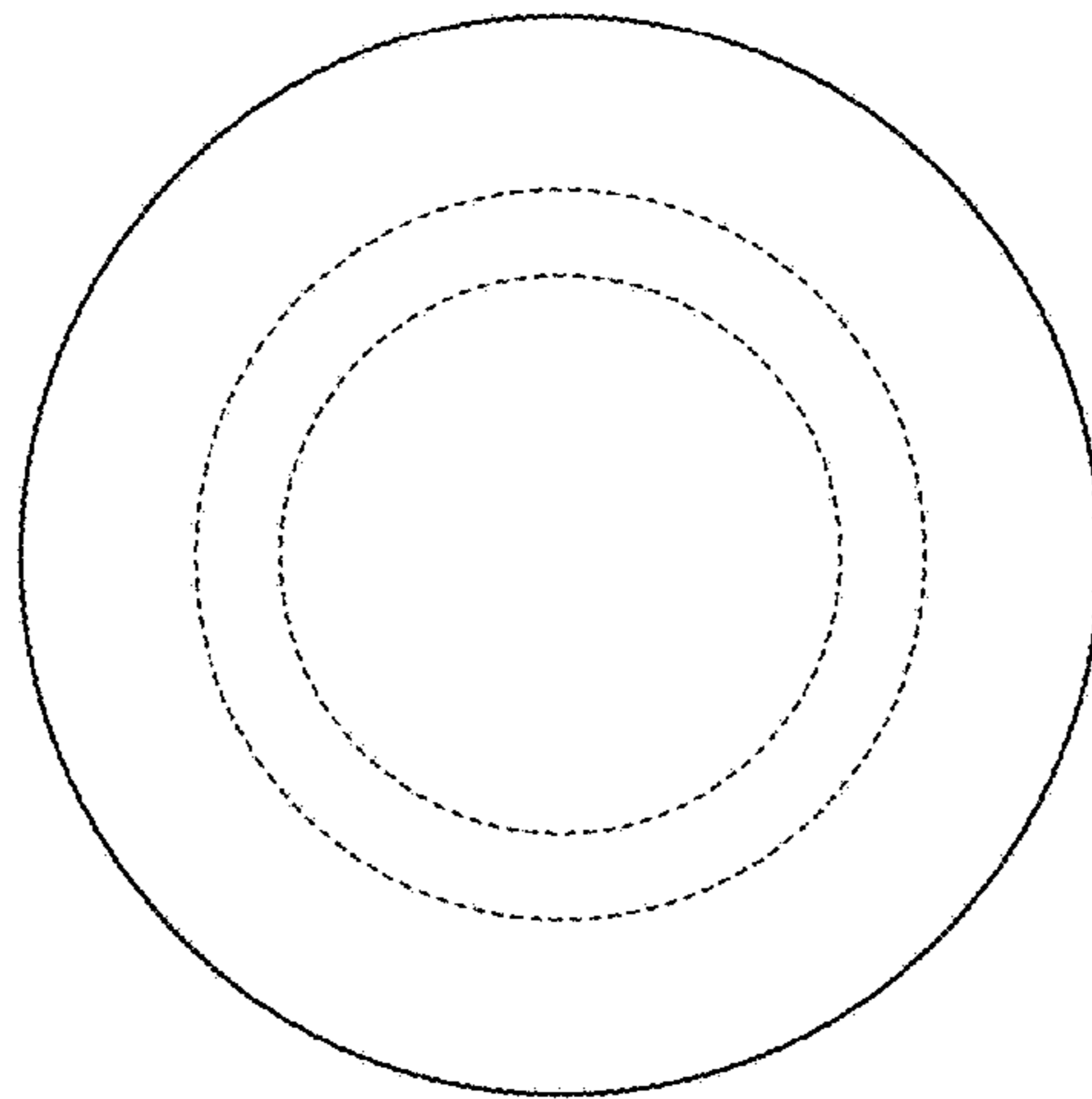


FIG. 3

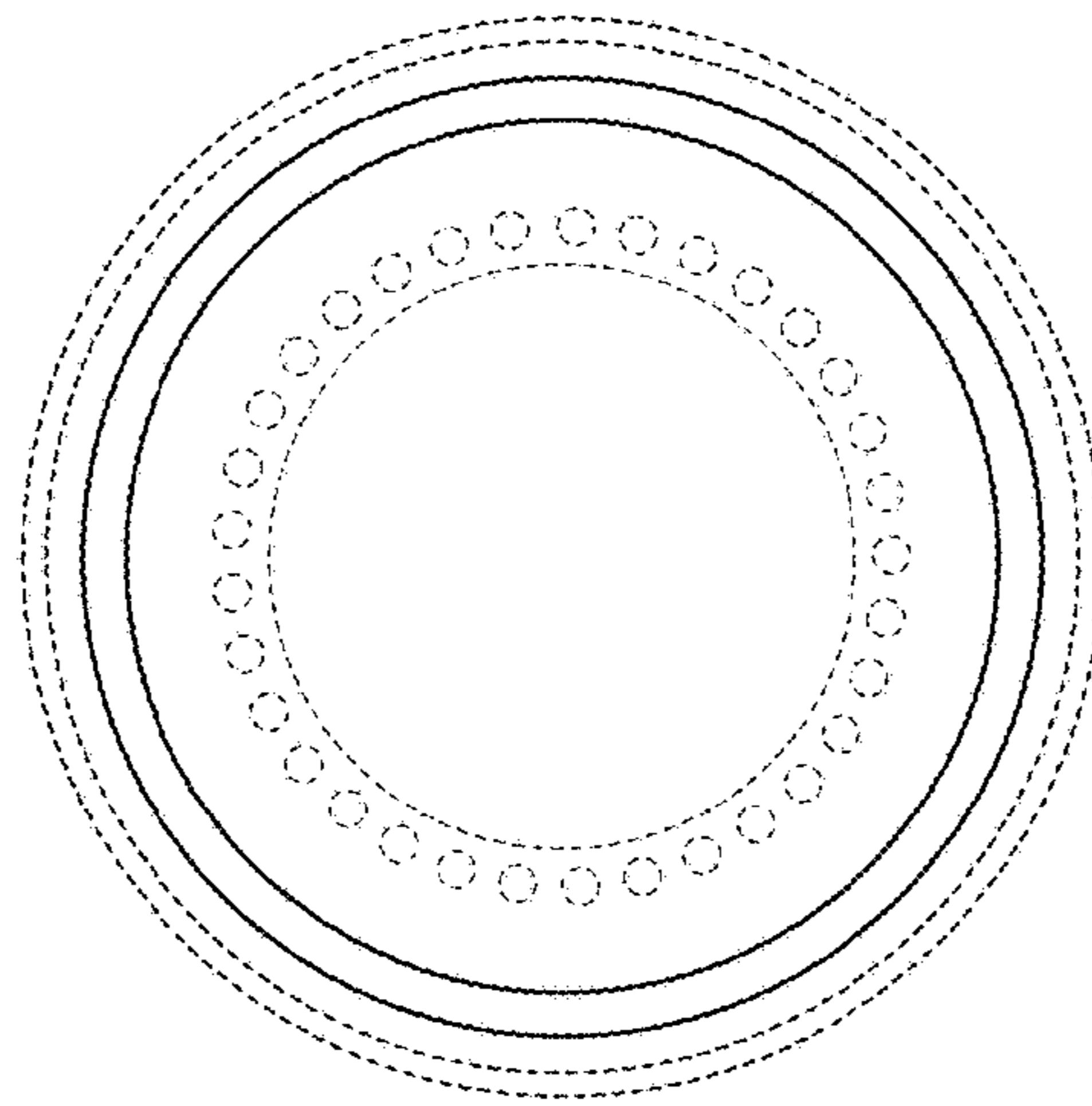


FIG. 4