



US00D846392S

(12) **United States Design Patent**  
**Markey**

(10) **Patent No.:** **US D846,392 S**

(45) **Date of Patent:** **\*\* Apr. 23, 2019**

(54) **LID ASSEMBLY**

(71) Applicant: **Steve Markey**, Spicewood, TX (US)

(72) Inventor: **Steve Markey**, Spicewood, TX (US)

(\*\*) Term: **15 Years**

(21) Appl. No.: **29/598,609**

(22) Filed: **Mar. 31, 2017**

(51) **LOC (11) Cl.** ..... **09-07**

(52) **U.S. Cl.**  
USPC ..... **D9/447**

(58) **Field of Classification Search**

USPC ..... D3/202; D7/300, 300.1, 313, 314, 316,  
D7/387, 393, 396, 396.1, 396.2, 397, 398,  
D7/401.1, 509, 510, 511, 523, 525, 526,  
D7/527, 528, 538, 900; D9/434, 435,  
D9/436, 437, 438, 440, 443, 446, 447,  
D9/448, 449, 452, 453, 454, 686, 688,  
D9/690, 723, 24, 763, 772  
CPC ..... B65D 39/00; B65D 39/0047; B65D  
39/0005; B65D 39/02; B65D 39/08;  
B65D 39/14; B65D 39/19; B65D 50/00;  
B65D 50/041; B65D 2543/00092; B65D  
2543/00351; B65D 2543/00555; B65D  
2543/00685; B65D 2543/00796; B65D  
2543/00296; B65D 2543/00416; B65D  
2543/00638; B65D 2543/00731; B65D  
21/0228; B65D 51/02; B65D 51/04;  
B65D 51/18; B65D 51/28; B65D 51/242;  
B65D 51/2814; B65D 51/2821; B65D  
47/0895; B65D 47/148; B65D 47/36;  
B65D 43/02; B65D 43/14; B65D 43/16;  
B65D 43/26; B65D 43/0202; B65D  
43/0208; B65D 41/0483; B65D 41/0421;  
B65D 41/0485; B65D 41/3428; B65D  
41/48; B65D 41/485; B65D 41/045;  
B65D 71/00; B65D 5/503; B65D 5/36;  
B65D 41/16; B65D 41/17; B65D 41/26;  
B65D 41/32; B65D 41/0492; B65D  
41/0471; B65D 41/0428; B65D 41/0414;  
B65D 41/026; B65D 41/023; B65D

41/003; B65D 41/02; B65D 41/00; B65D  
53/00; B65D 53/02; B65D 53/04; B65D  
2251/0018; B65D 2251/0081; B65D  
2251/0026; B65D 2251/009; B65D 25/00;  
B65D 25/40; B65D 25/42; B65D 25/46;  
B65D 25/48; B65D 25/77; B65D 23/08;  
(Continued)

(56) **References Cited**

U.S. PATENT DOCUMENTS

3,820,692 A \* 6/1974 Swett ..... B65D 47/0895  
222/547  
D682,612 S \* 5/2013 Rzepecki ..... D7/392.1  
(Continued)

*Primary Examiner* — Jennifer Rivard  
*Assistant Examiner* — Catherine S Posthauer  
(74) *Attorney, Agent, or Firm* — Larkin Hoffman Daly &  
Lindgren; Todd R. Fronck

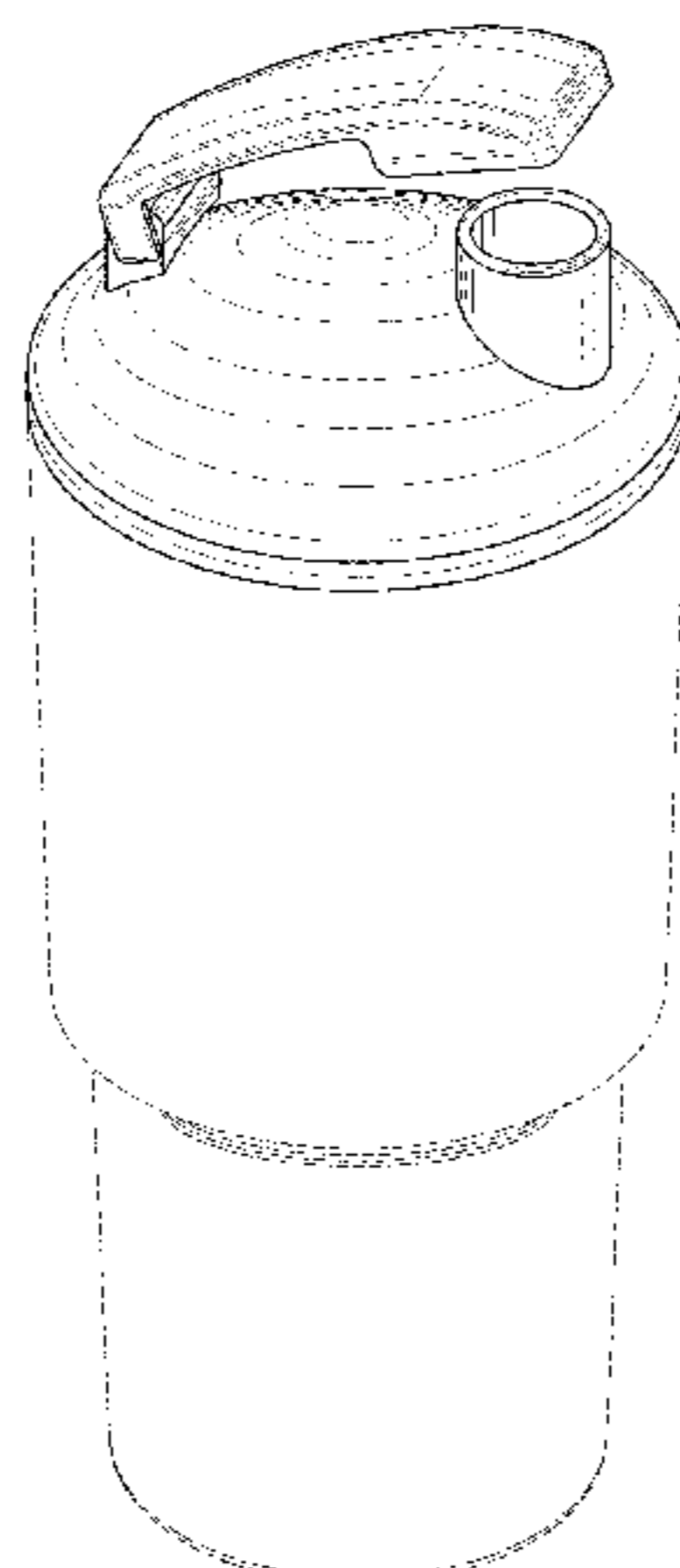
(57) **CLAIM**

The ornamental design for a lid assembly, as shown and described.

**DESCRIPTION**

FIG. 1 is a front perspective view of the lid assembly of the present design positioned within a tumbler;  
FIG. 2 is a front perspective view of the lid assembly, removed from the tumbler for clarity of details;  
FIG. 3 is a left side elevation view thereof;  
FIG. 4 is a right side elevation view thereof;  
FIG. 5 is a front elevation view thereof;  
FIG. 6 is a rear elevation view thereof;  
FIG. 7 is a top plan view thereof;  
FIG. 8 is a bottom plan view thereof; and,  
FIG. 9 is an exploded front perspective view thereof.  
The broken lines are shown for the purpose of illustrating environmental subject matter and parts of the article that form no part of the claim.

**1 Claim, 5 Drawing Sheets**



(58) **Field of Classification Search**

CPC .... B65D 83/40; B65D 83/205; B65D 83/206;  
 B65D 83/345; B65D 2255/00; B65D  
 47/08; B65D 47/265; B65D 41/005;  
 B65D 41/025; B65D 55/02; B65D  
 55/024; A47J 43/27; A47J 36/06; A47J  
 36/10; A47J 36/14; A47G 19/22; A47G  
 19/2205; A47G 19/2222; A47G 19/2266;  
 A47G 19/2272; A47G 19/2294; A45D  
 40/081; A45D 40/0093; A45D 40/27;  
 A45D 34/00; B65B 11/0032; B65B  
 11/0056; B65B 11/3059; B65B 11/3097;  
 A61J 2205/50

See application file for complete search history.

(56)

**References Cited**

U.S. PATENT DOCUMENTS

D702,489 S \* 4/2014 Steel ..... D7/392  
 8,695,830 B2 \* 4/2014 Meyers ..... B65D 51/242  
 215/228

D739,674 S \* 9/2015 Bergstrom ..... D7/300.1  
 D747,624 S \* 1/2016 Walker ..... D7/392.1  
 D748,430 S \* 2/2016 Sorensen ..... D7/392.1  
 D748,478 S \* 2/2016 Sorensen ..... D9/443  
 D751,344 S \* 3/2016 Charlton ..... D7/300.1  
 D752,390 S \* 3/2016 Ksiazek ..... D7/300.1  
 D758,127 S \* 6/2016 Zhao ..... D7/392.1  
 D766,029 S \* 9/2016 Lin ..... D7/300.1  
 D779,872 S \* 2/2017 Bergstrom ..... D7/392.1  
 D796,256 S \* 9/2017 Stover ..... D7/396.2  
 D802,362 S \* 11/2017 Spivey ..... D7/396.2  
 2012/0061398 A1 \* 3/2012 Nilsson ..... A47J 43/27  
 220/568  
 2015/0108079 A1 \* 4/2015 Cetera ..... B65D 41/0485  
 215/329  
 2015/0329255 A1 \* 11/2015 Rzepecki ..... B65D 43/16  
 222/189.06  
 2016/0264312 A1 \* 9/2016 Choltco-Devlin .....  
 B65D 47/0895

\* cited by examiner

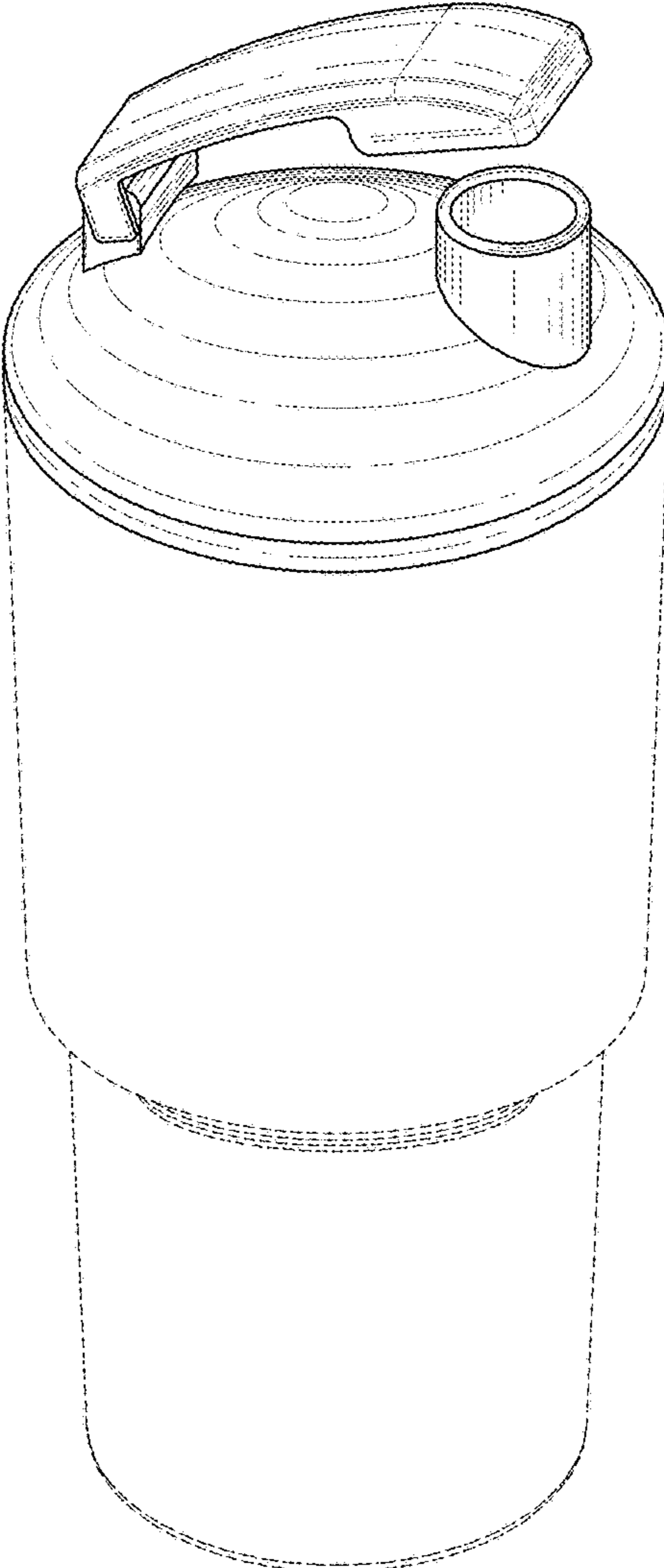


FIG. 1

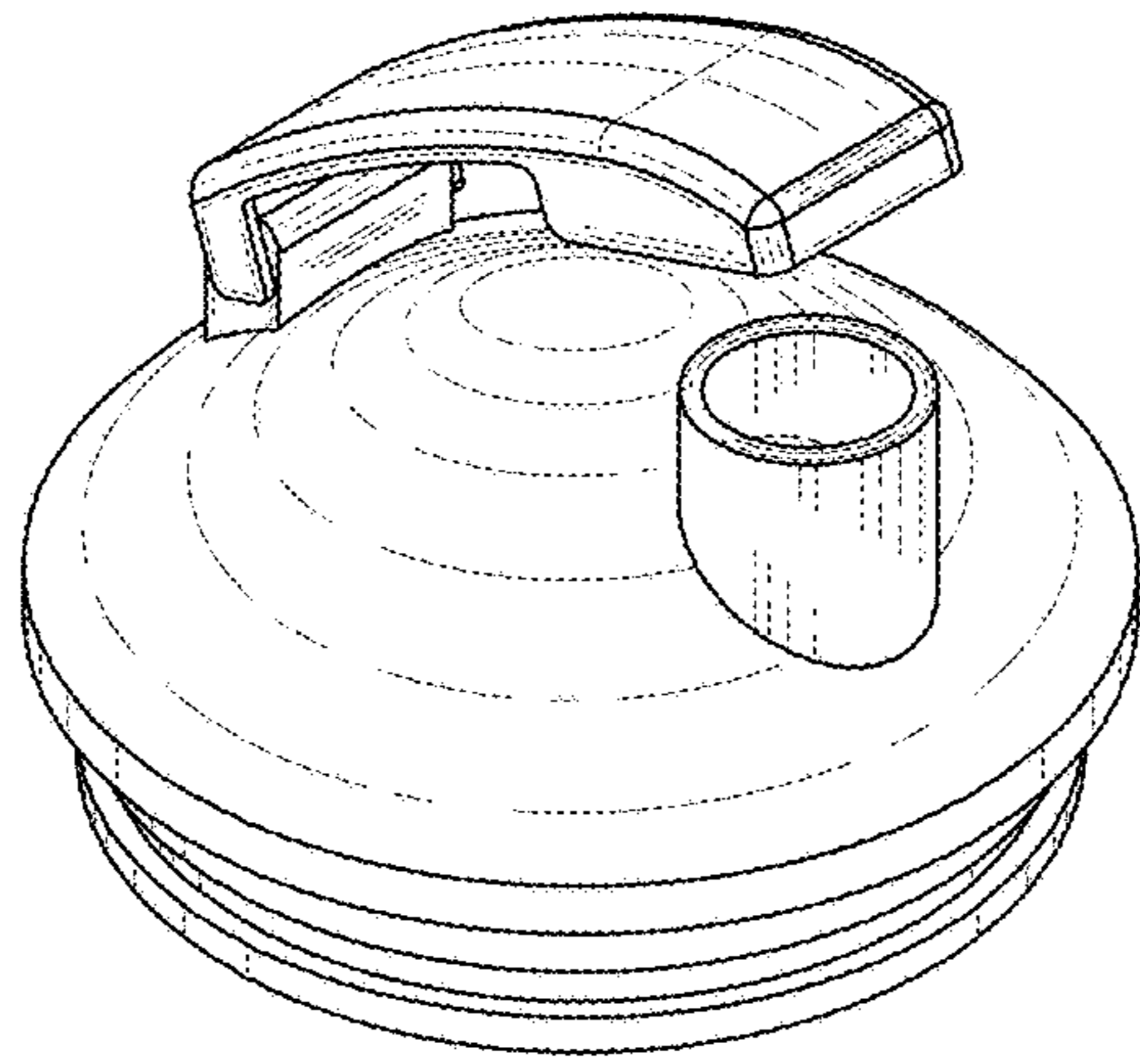


FIG. 2

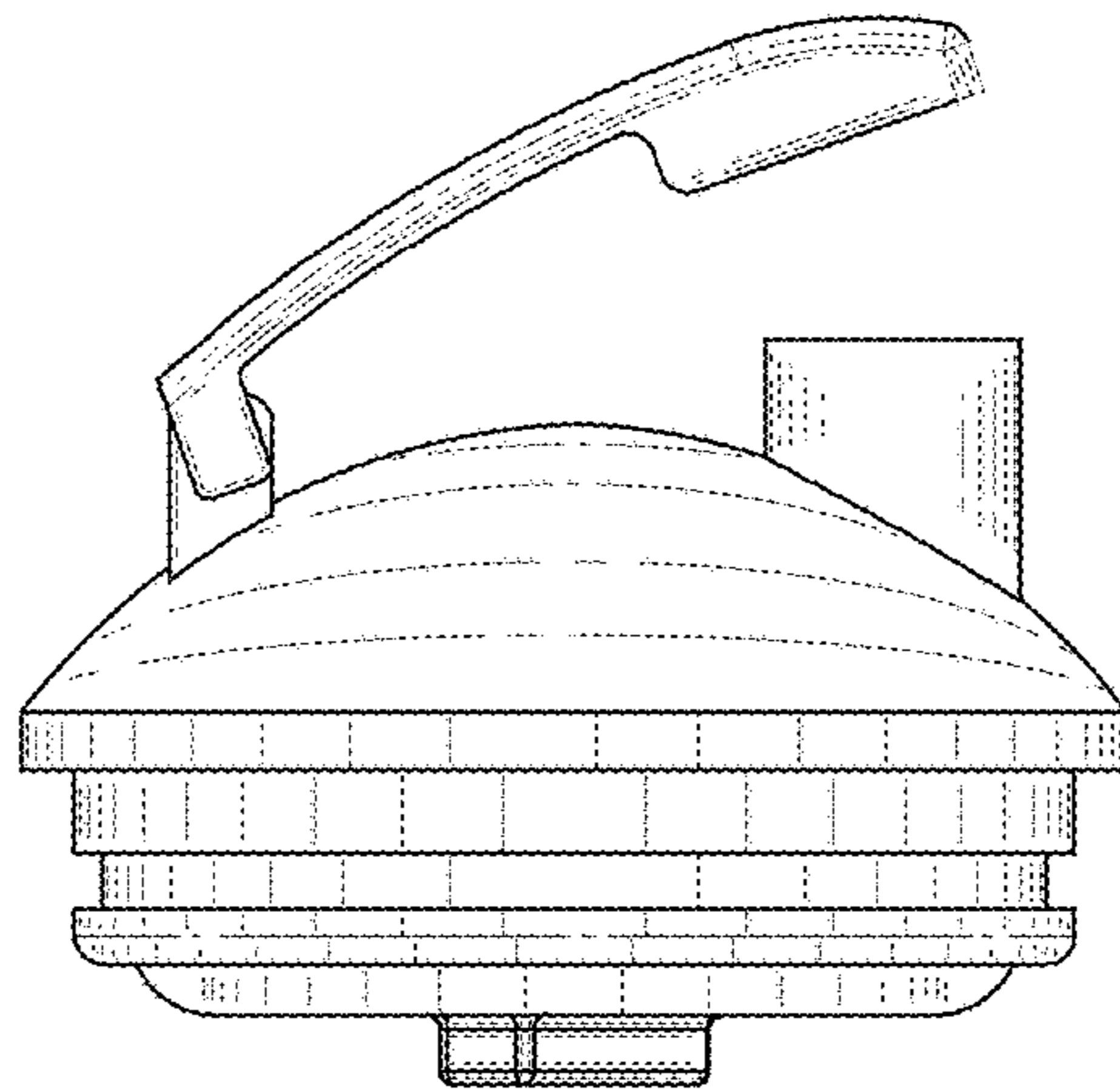


FIG. 3

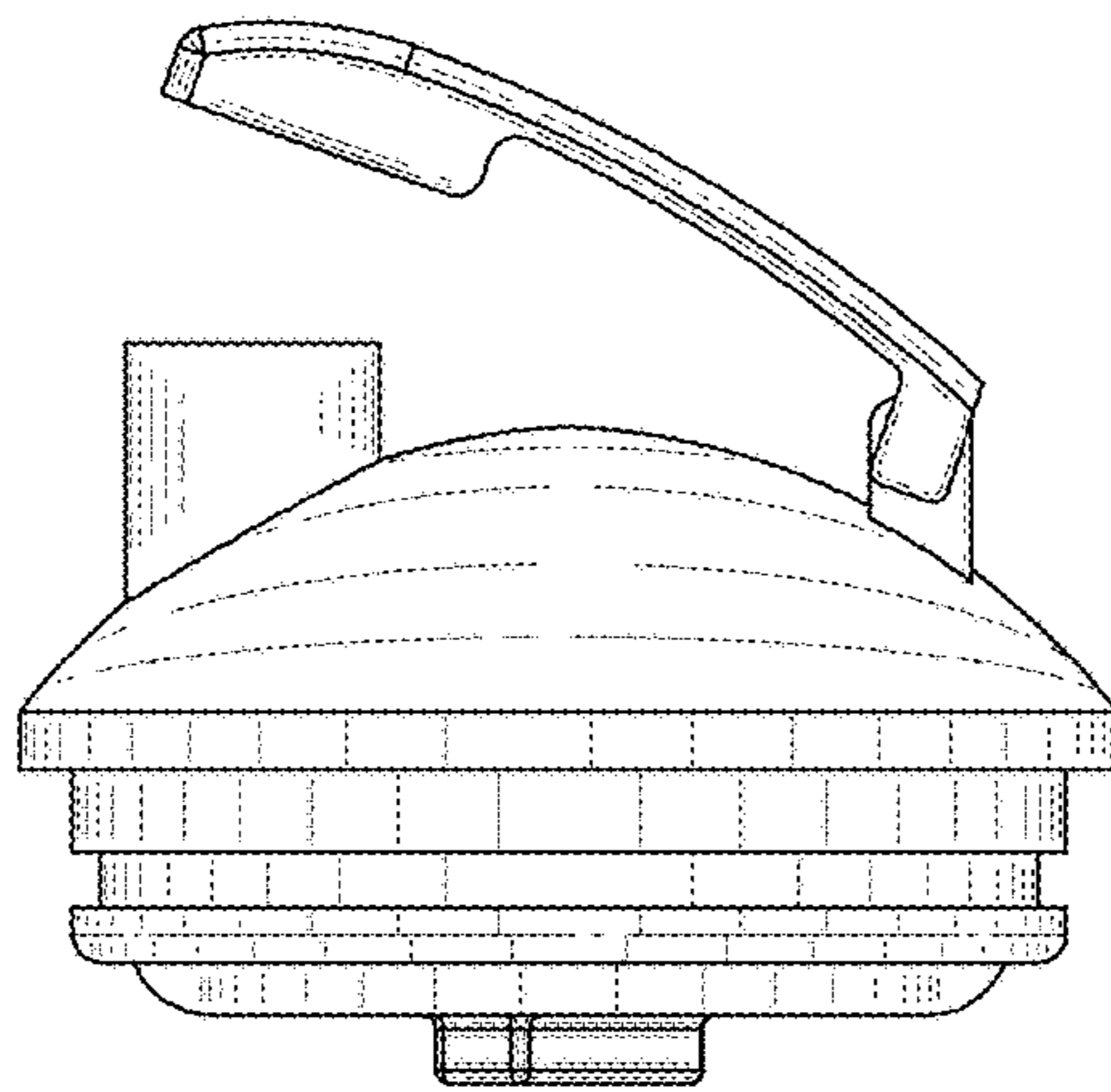


FIG. 4

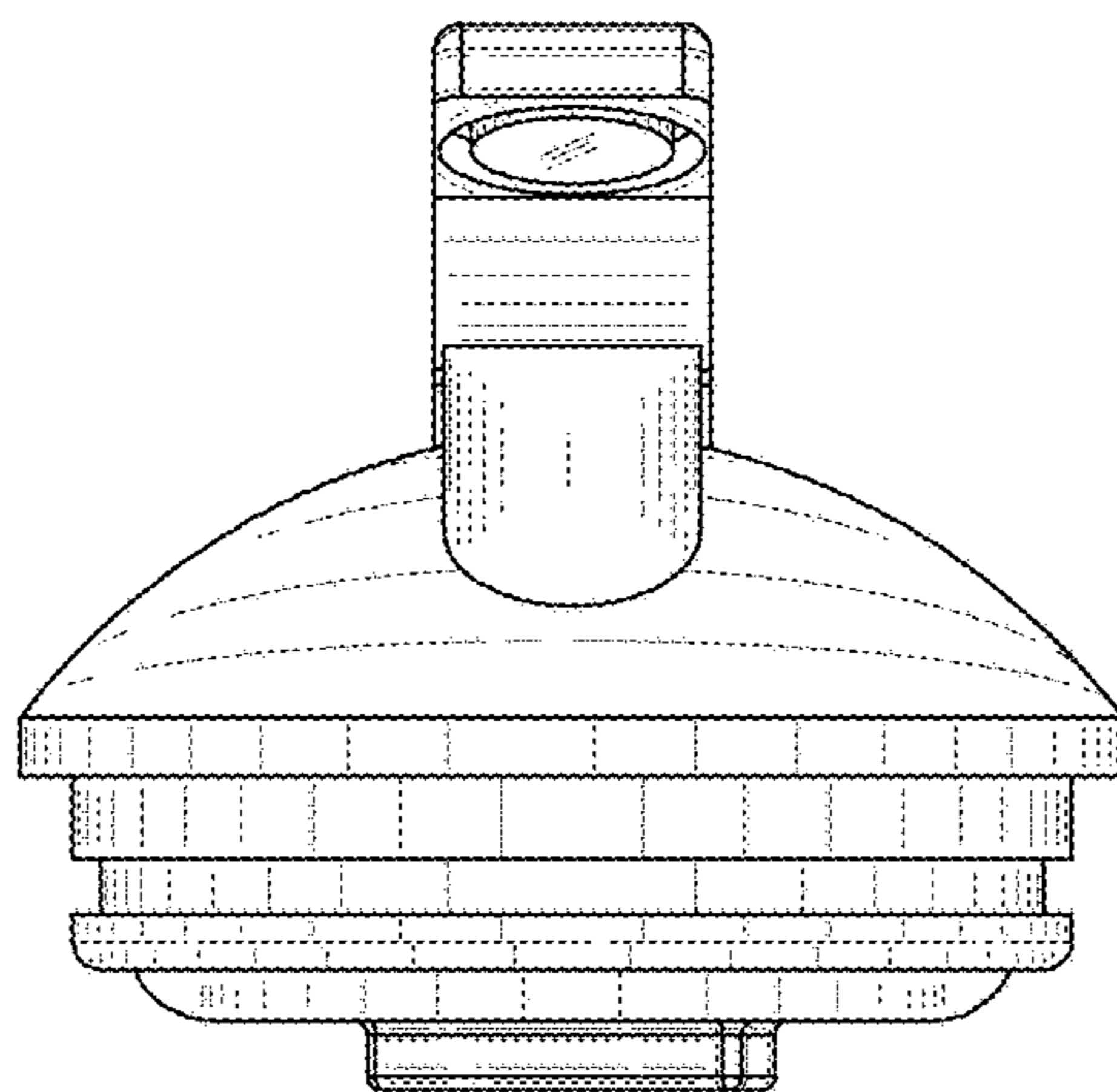


FIG. 5

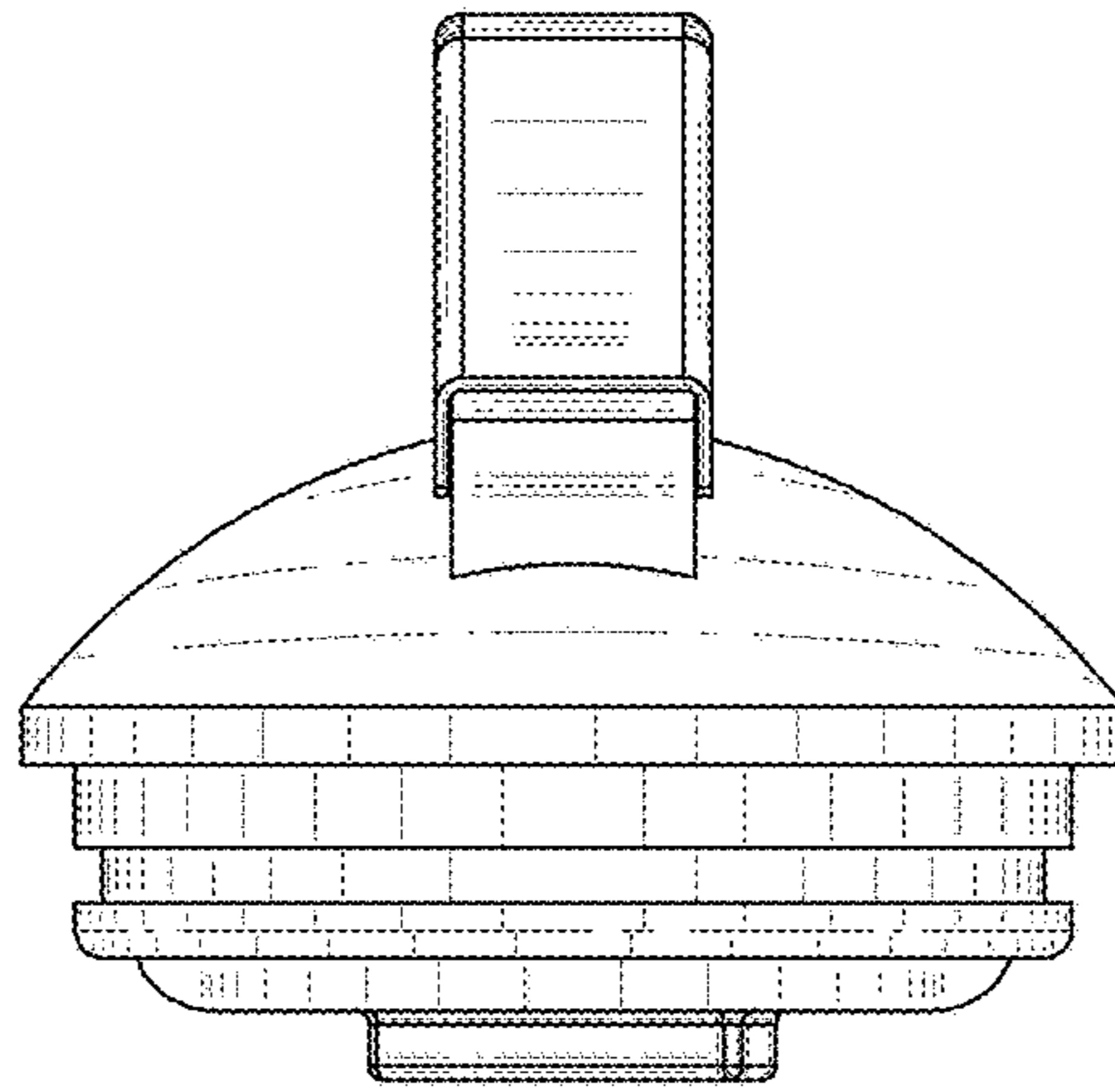


FIG. 6

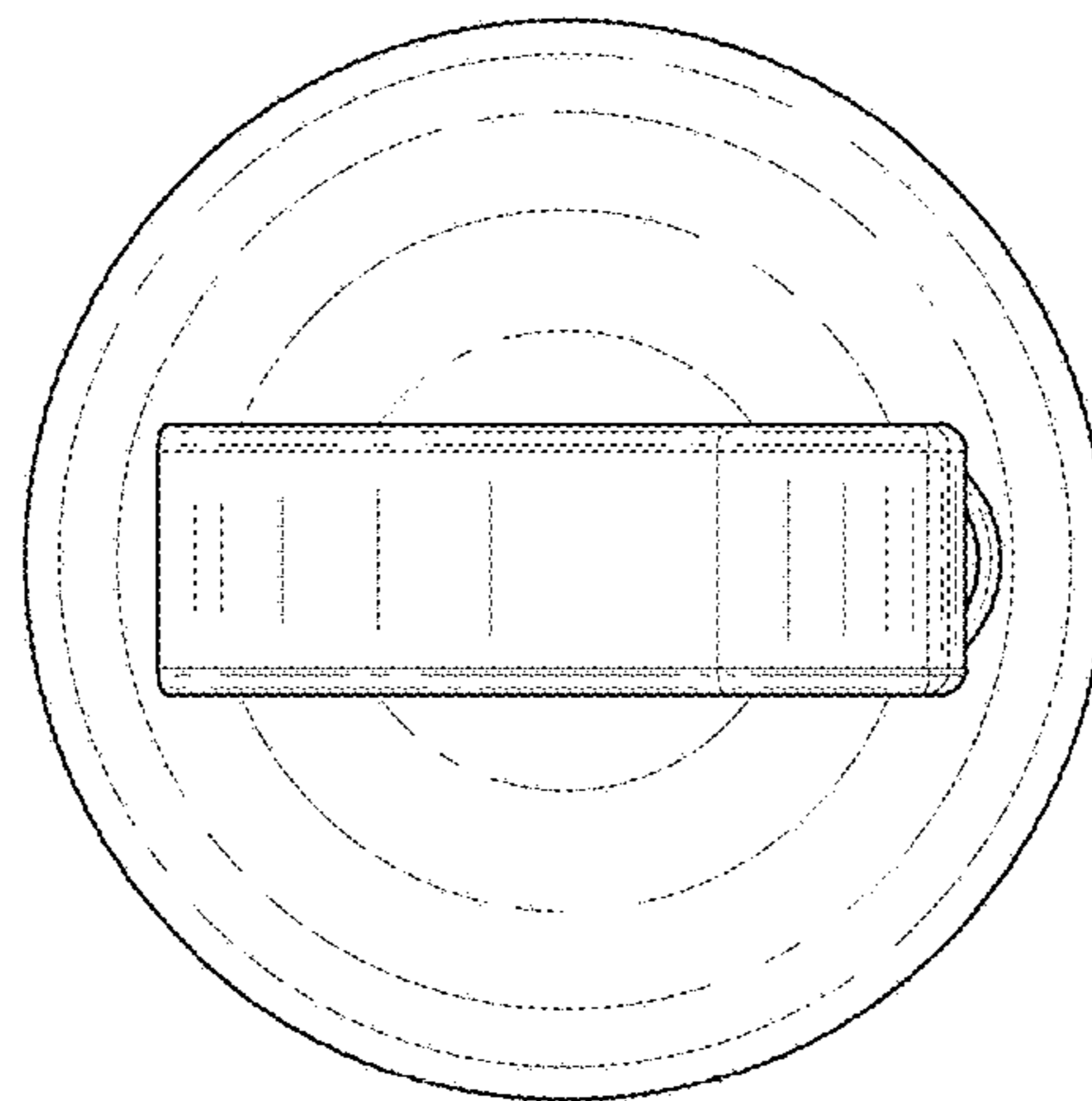


FIG. 7

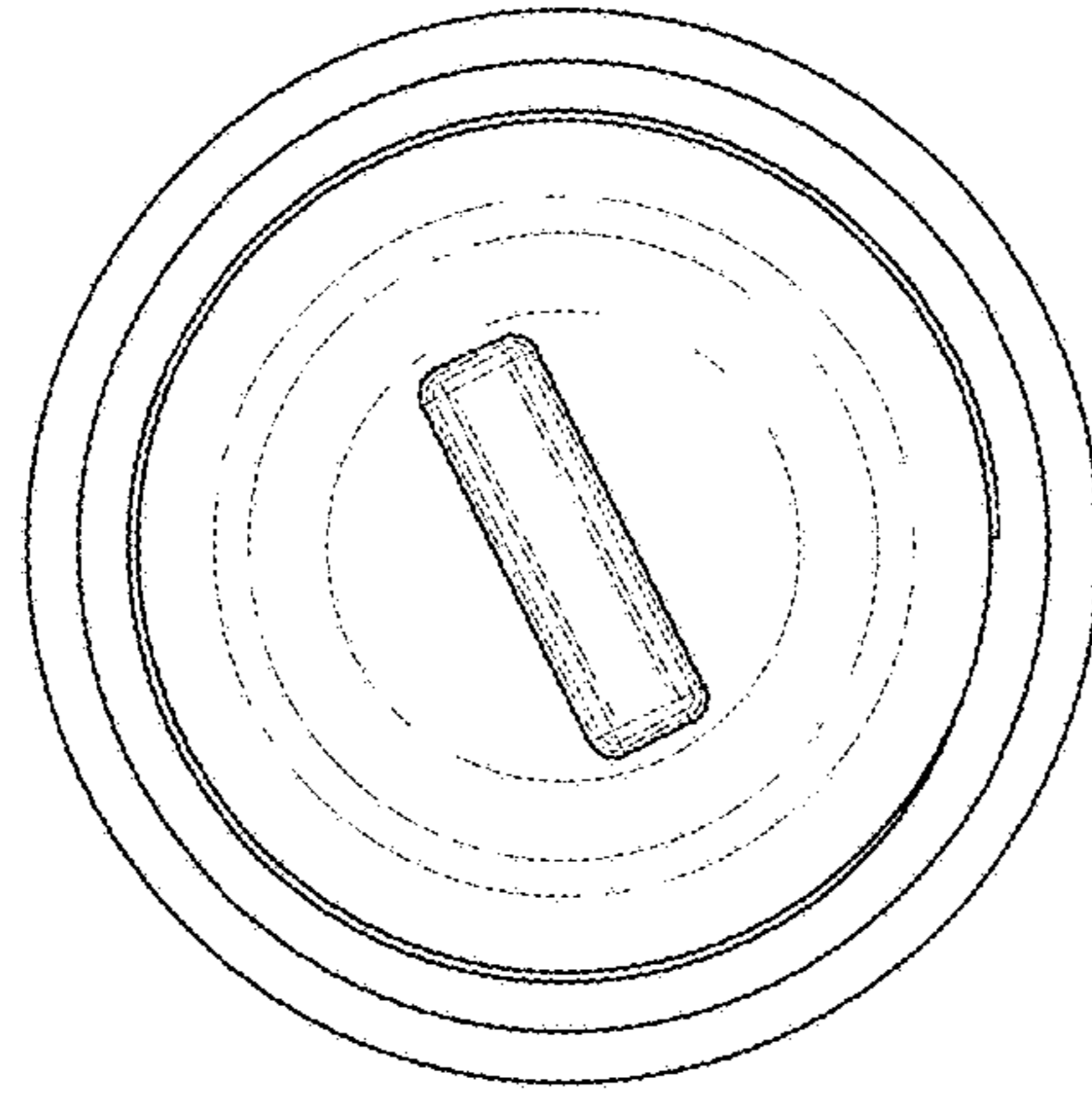


FIG. 8

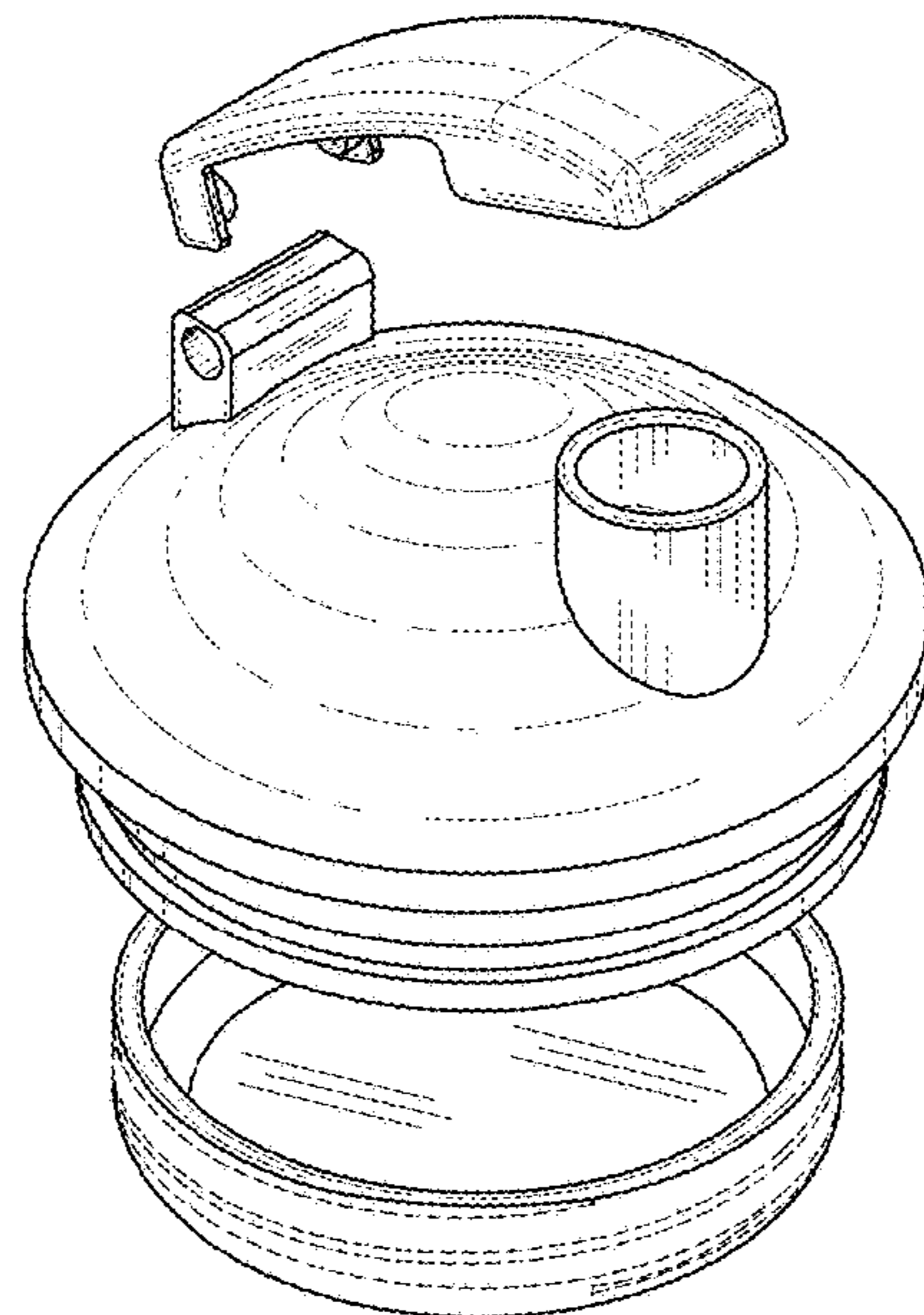


FIG. 9