



US00D846390S

(12) **United States Design Patent**  
**Brelje et al.**

(10) **Patent No.:** **US D846,390 S**  
(45) **Date of Patent:** **\*\* Apr. 23, 2019**

(54) **THIN WALL THREADED PORT**

(71) Applicant: **David S. Smith America, Inc.**, Lester Prairie, MN (US)

(72) Inventors: **Loren L. Brelje**, Glencoe, MN (US);  
**Bradley L. Trettin**, Buffalo Lake, MN (US)

(73) Assignee: **David S. Smith America, Inc.**, Lester Prairie, MN (US)

(\*\*) Term: **15 Years**

(21) Appl. No.: **29/597,199**

(22) Filed: **Mar. 15, 2017**

(51) **LOC (11) Cl.** ..... **09-06**

(52) **U.S. Cl.**

USPC ..... **D9/446**

(58) **Field of Classification Search**

USPC ..... D9/414, 415, 424, 425, 434, 435, 436,  
D9/443, 444-452, 454-456, 499, 529,  
D9/682, 685, 686; D7/387, 391, 392,  
D7/392.1, 396.1, 396.2, 396.3, 396.4,  
D7/397, 398, 401.1, 507, 509-511, 538,  
D7/900; D3/202, 203.2; D28/91, 91.1  
CPC .. A61J 1/00; A61J 1/1412; B65D 1/00; B65D  
1/02; B65D 1/10; B65D 1/46; B65D  
2585/56; B65D 2585/545; B65D 41/00;  
B65D 41/38; B65D 41/56; B65D 41/62;  
B65D 47/00; B65D 47/06; B65D 47/08;  
B65D 2543/00046; B65D 2543/00092;  
B65D 2543/00296; B65D 5/46; B65D  
2251/00

See application file for complete search history.

(56) **References Cited**

**U.S. PATENT DOCUMENTS**

D188,393 S \* 7/1960 Fagan ..... D3/264  
3,117,703 A \* 1/1964 Henchert ..... B65D 47/10  
220/258.5

(Continued)

*Primary Examiner* — Michael A. Pratt  
*Assistant Examiner* — Wendy L Arminio  
(74) *Attorney, Agent, or Firm* — Vidas Arrett & Steinkraus P.A.

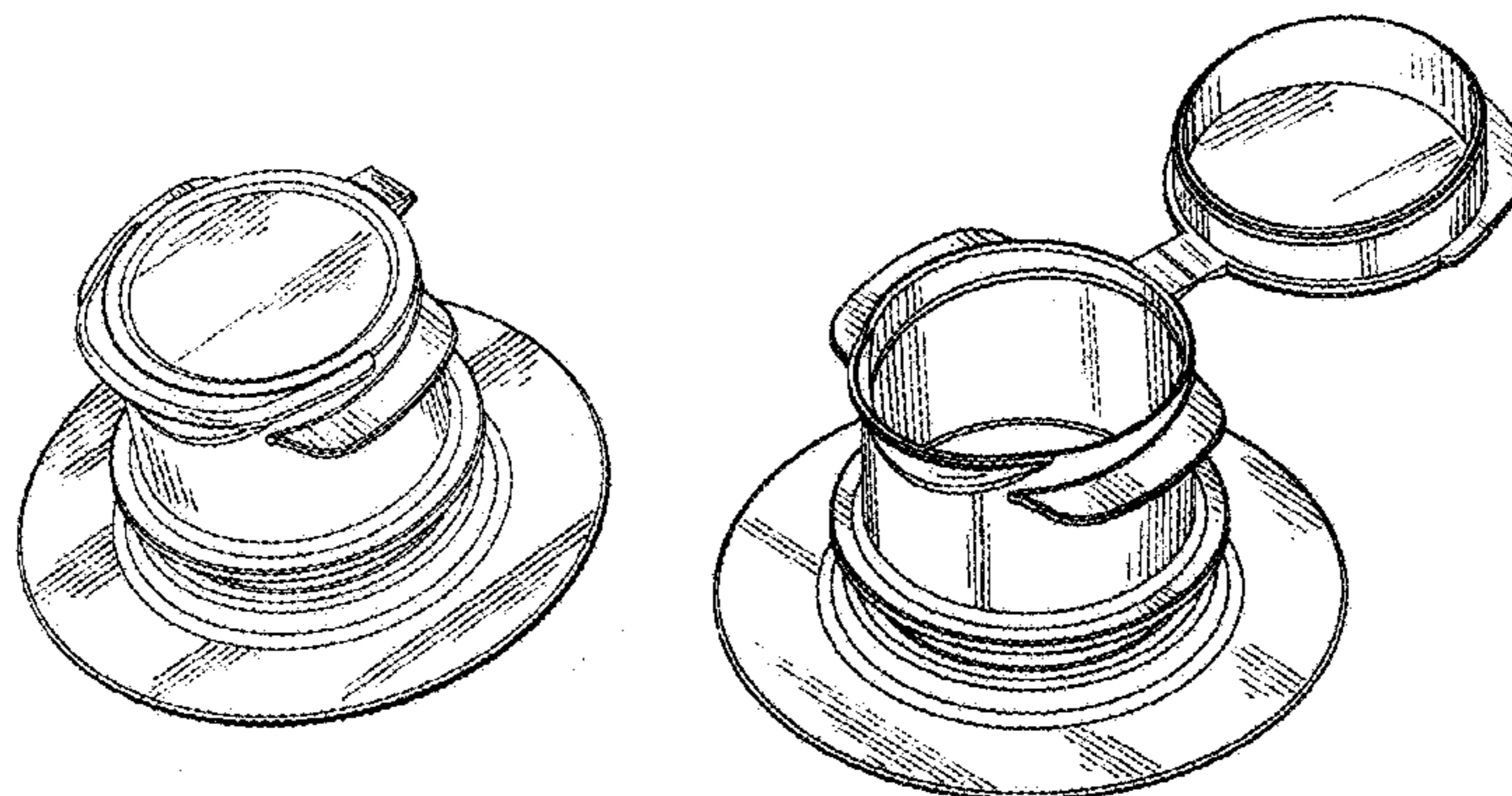
(57) **CLAIM**

The ornamental design for a thin wall threaded port, as shown and described.

**DESCRIPTION**

FIG. 1 is a perspective view of a thin wall threaded port shown in a capped configuration;  
FIG. 2 is a perspective view from a different angle of the thin wall threaded port of FIG. 1;  
FIG. 3 is a side view of the thin wall threaded port of FIG. 1;  
FIG. 4 is a front view of the thin wall threaded port of FIG. 1;  
FIG. 5 is a back view of the thin wall threaded port of FIG. 1;  
FIG. 6 is a top view of the thin wall threaded port of FIG. 1;  
FIG. 7 is a bottom view of the thin wall threaded port of FIG. 1;  
FIG. 8 is a perspective view of the thin wall threaded port of FIG. 1 shown in an uncapped configuration;  
FIG. 9 is a perspective view from a different angle of the thin wall threaded port of FIG. 8;  
FIG. 10 is a side view of the thin wall threaded port of FIG. 8;  
FIG. 11 is a front view of the thin wall threaded port of FIG. 8;  
FIG. 12 is a back view of the thin wall threaded port of FIG. 8;  
FIG. 13 is a bottom view of the thin wall threaded port of FIG. 8; and,  
FIG. 14 is a top view of the thin wall threaded port of FIG. 8.

**1 Claim, 5 Drawing Sheets**



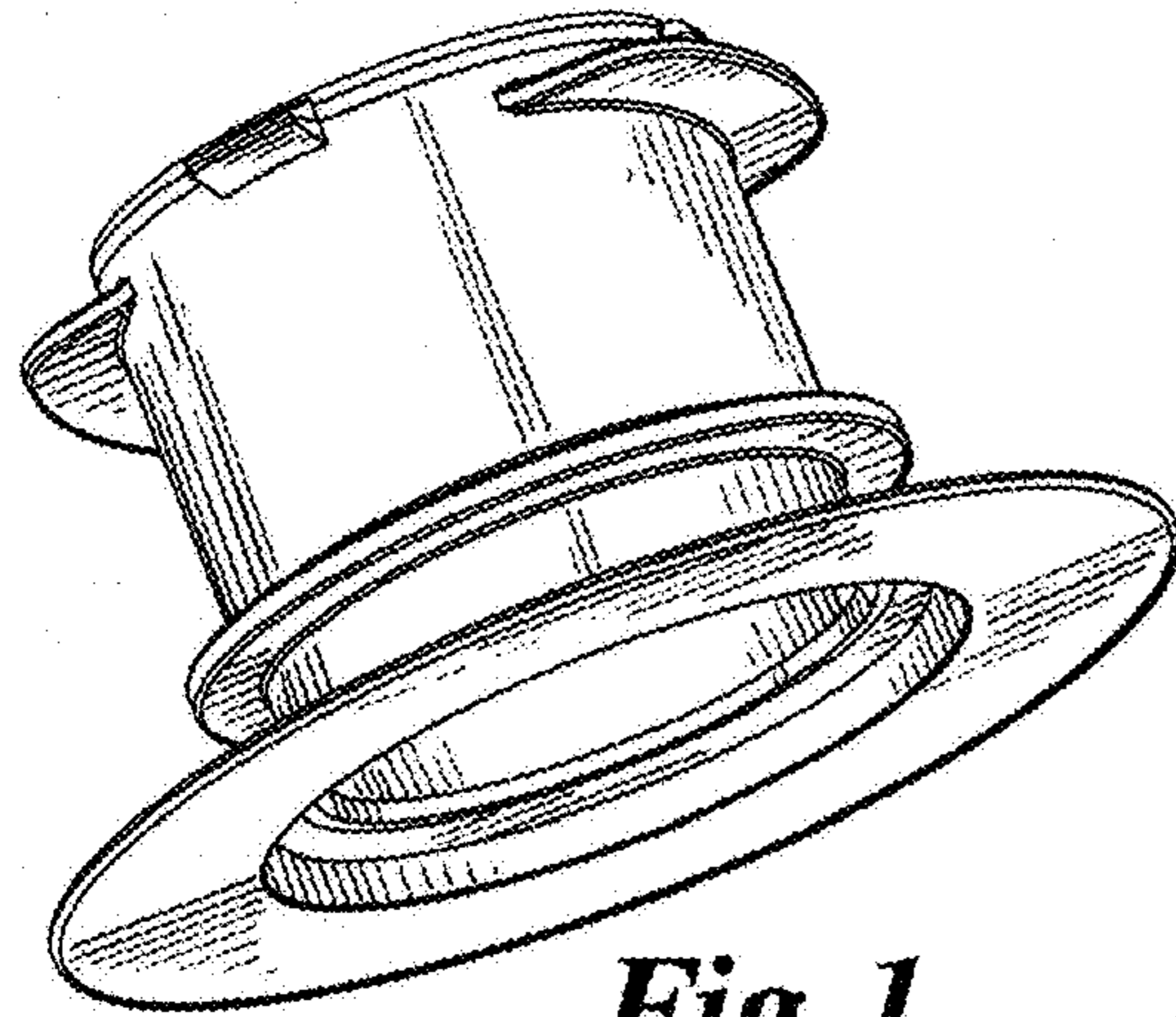
(56)

**References Cited**

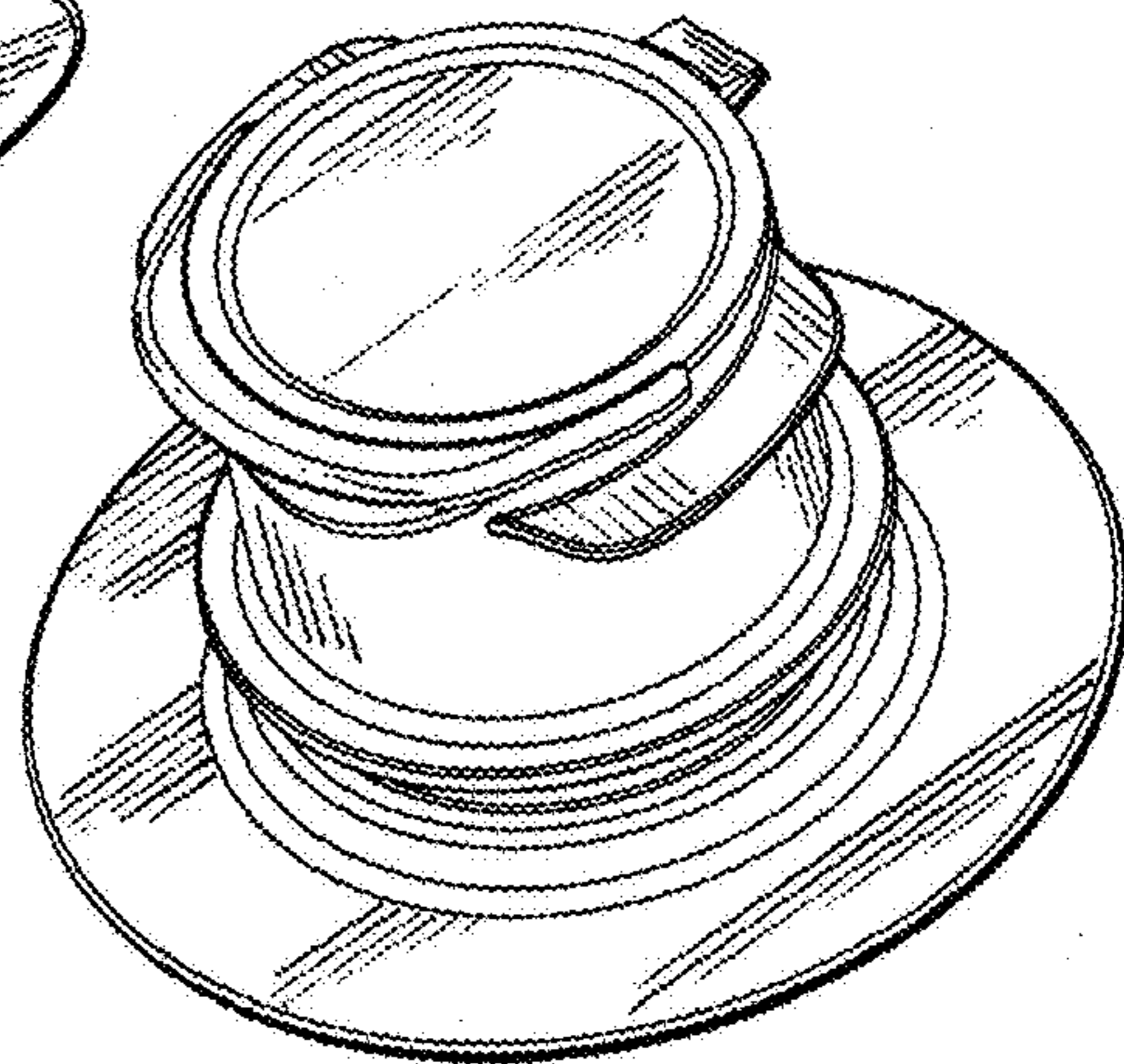
U.S. PATENT DOCUMENTS

3,160,327 A \* 12/1964 Porcelli ..... B65D 47/103  
220/258.2  
3,462,048 A \* 8/1969 Henchert ..... B65D 47/103  
215/296  
5,156,295 A \* 10/1992 Gordon ..... B65D 77/065  
220/712  
5,297,696 A \* 3/1994 Bernstein ..... B67B 7/26  
222/83  
5,636,771 A \* 6/1997 Gordon ..... B65D 5/746  
220/270  
D404,646 S \* 1/1999 Black, Sr. .... D9/440  
D475,923 S \* 6/2003 Renz ..... D9/446  
D514,935 S \* 2/2006 Sturk ..... D9/449  
D679,589 S \* 4/2013 Hauth ..... D9/446  
D750,490 S \* 3/2016 Moore ..... D9/446  
D813,668 S \* 3/2018 Miller ..... D9/446

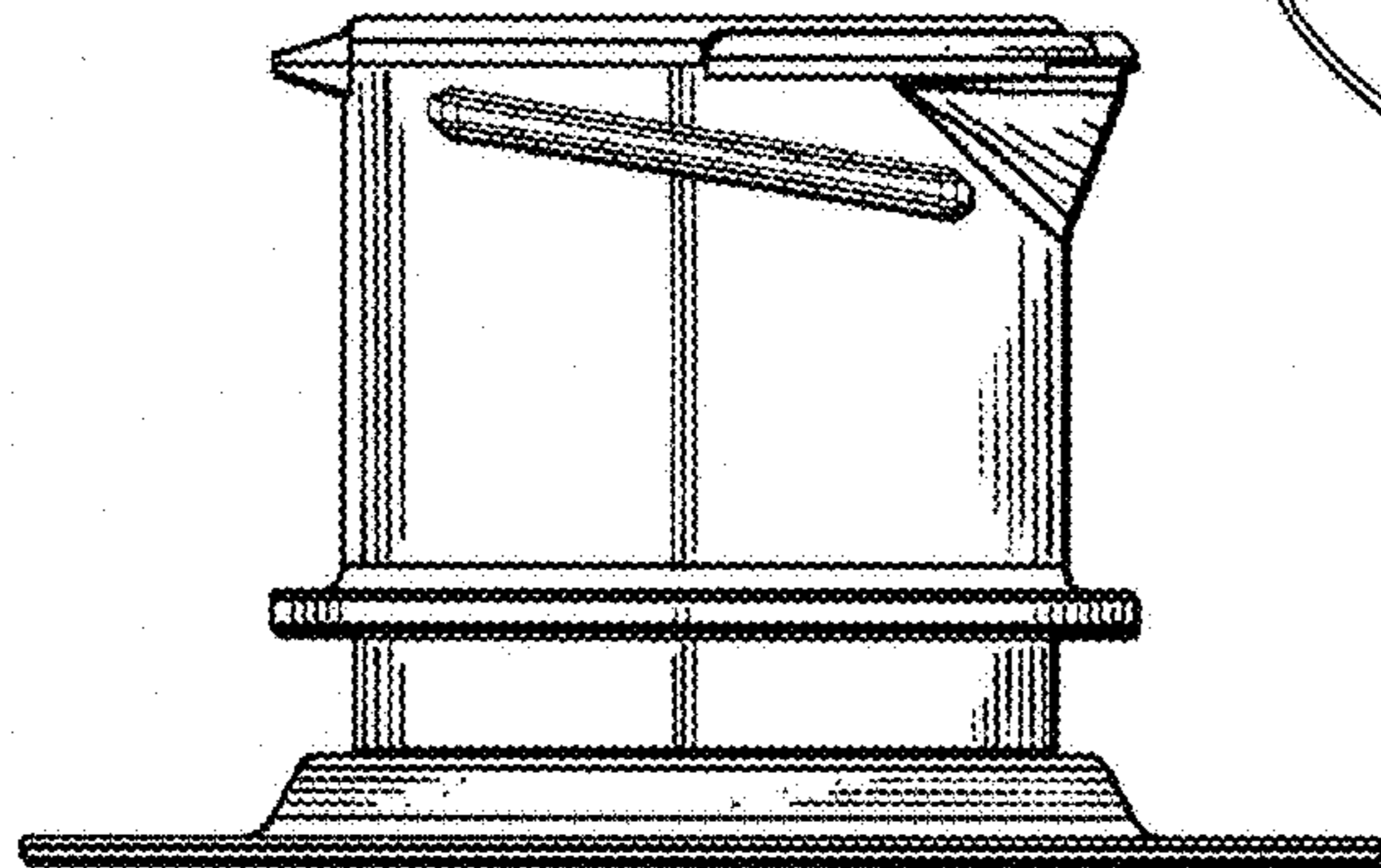
\* cited by examiner



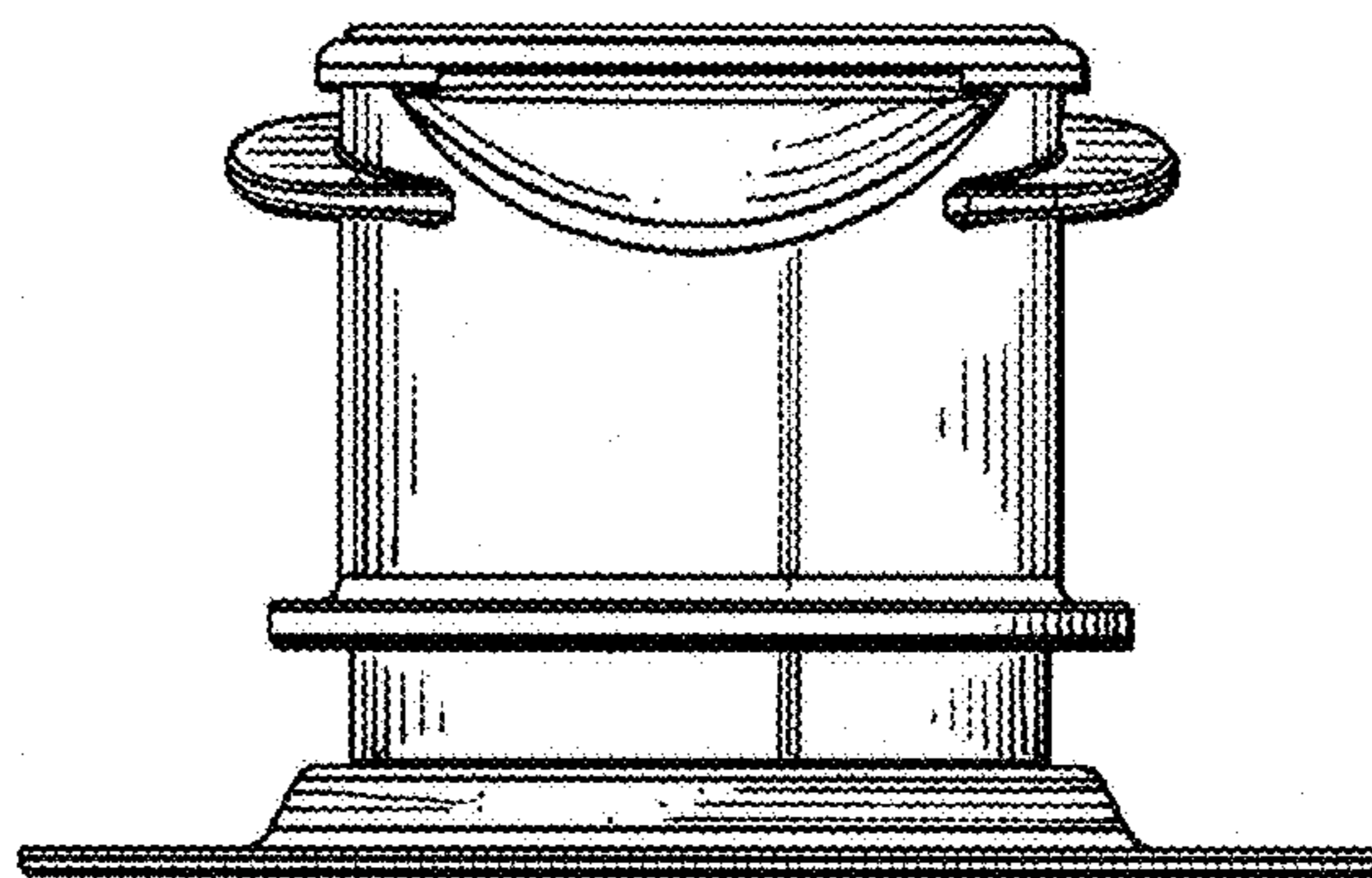
*Fig. 1*



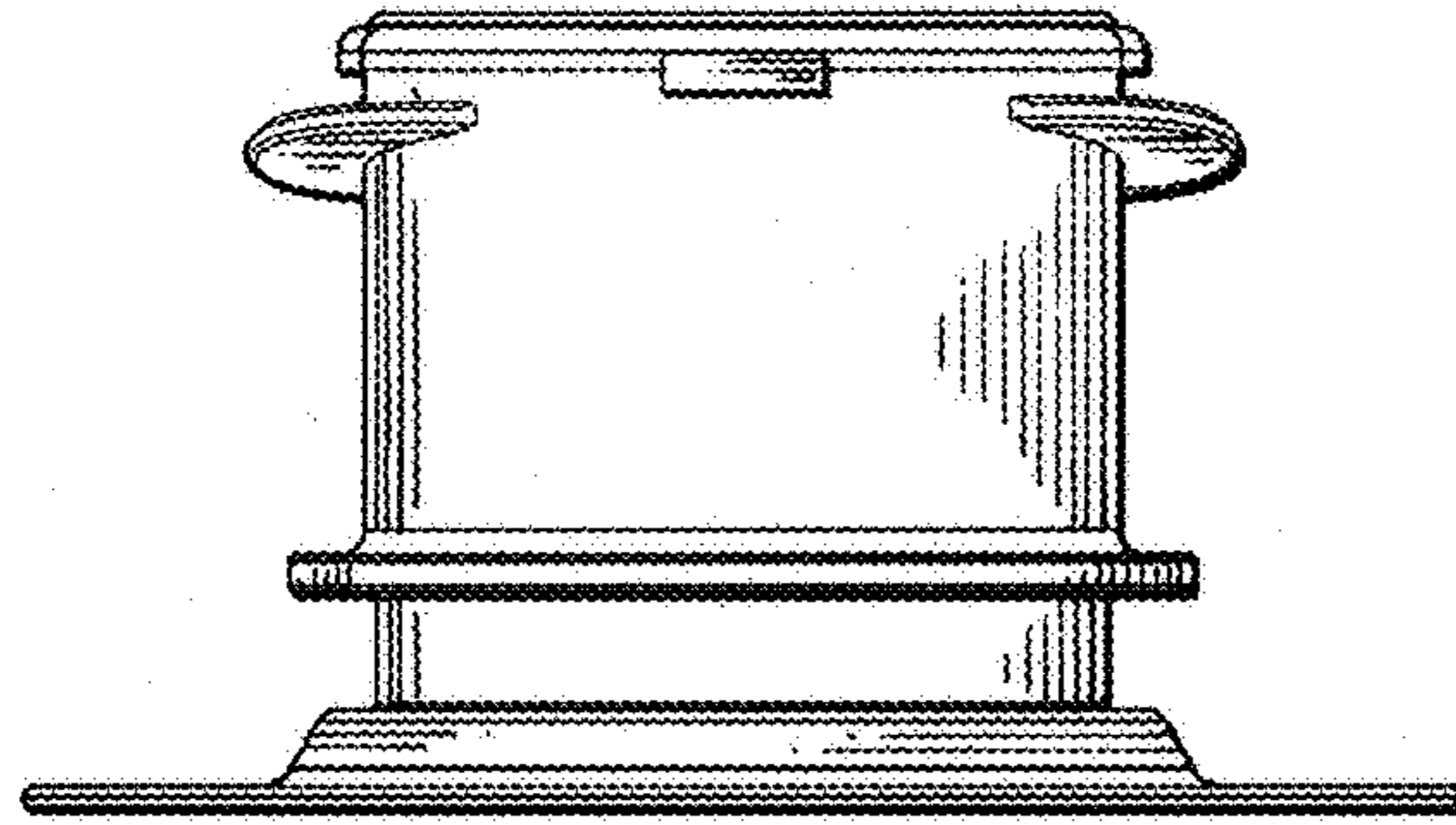
*Fig. 2*



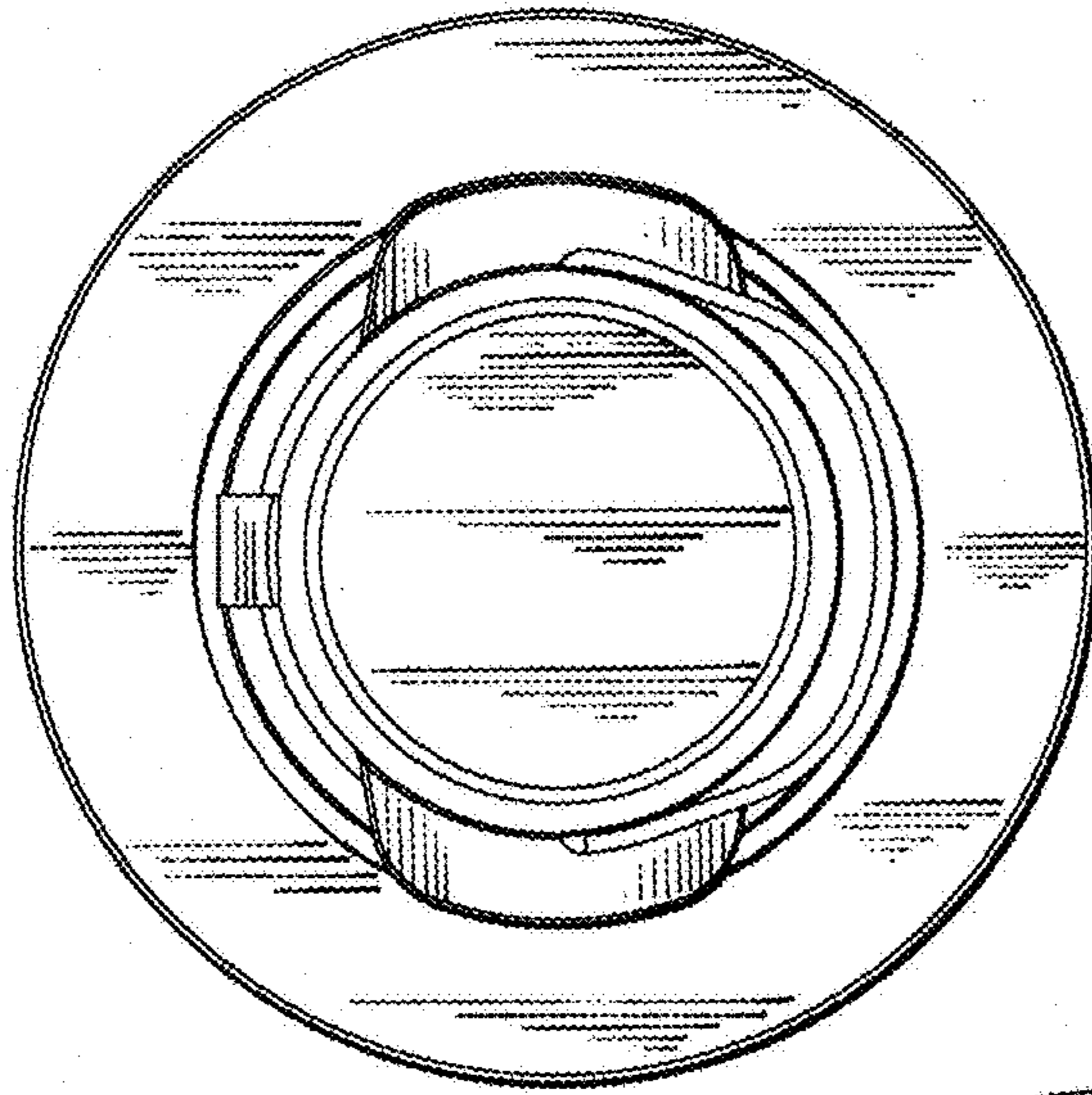
*Fig. 3*



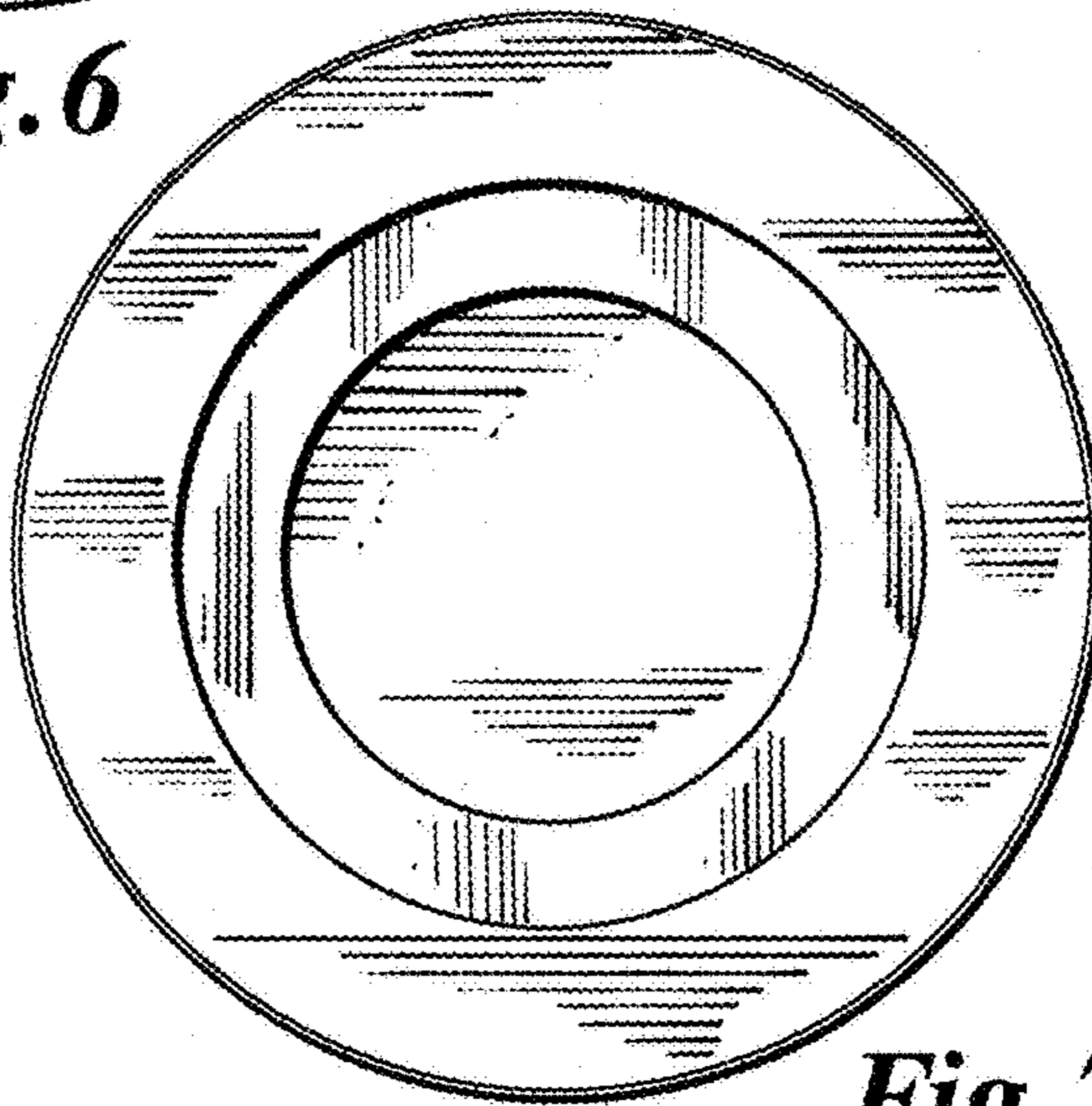
*Fig. 4*



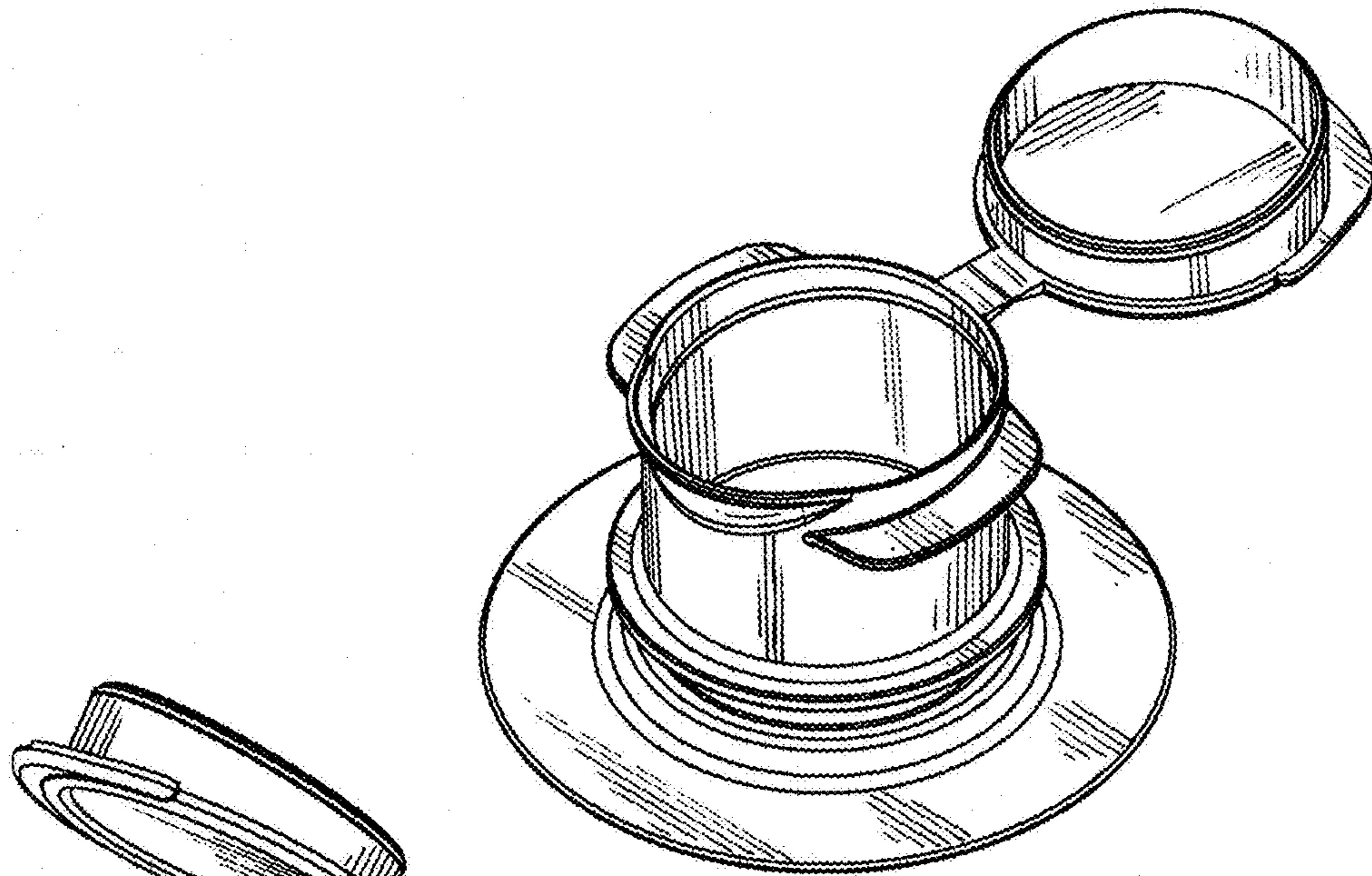
*Fig. 5*



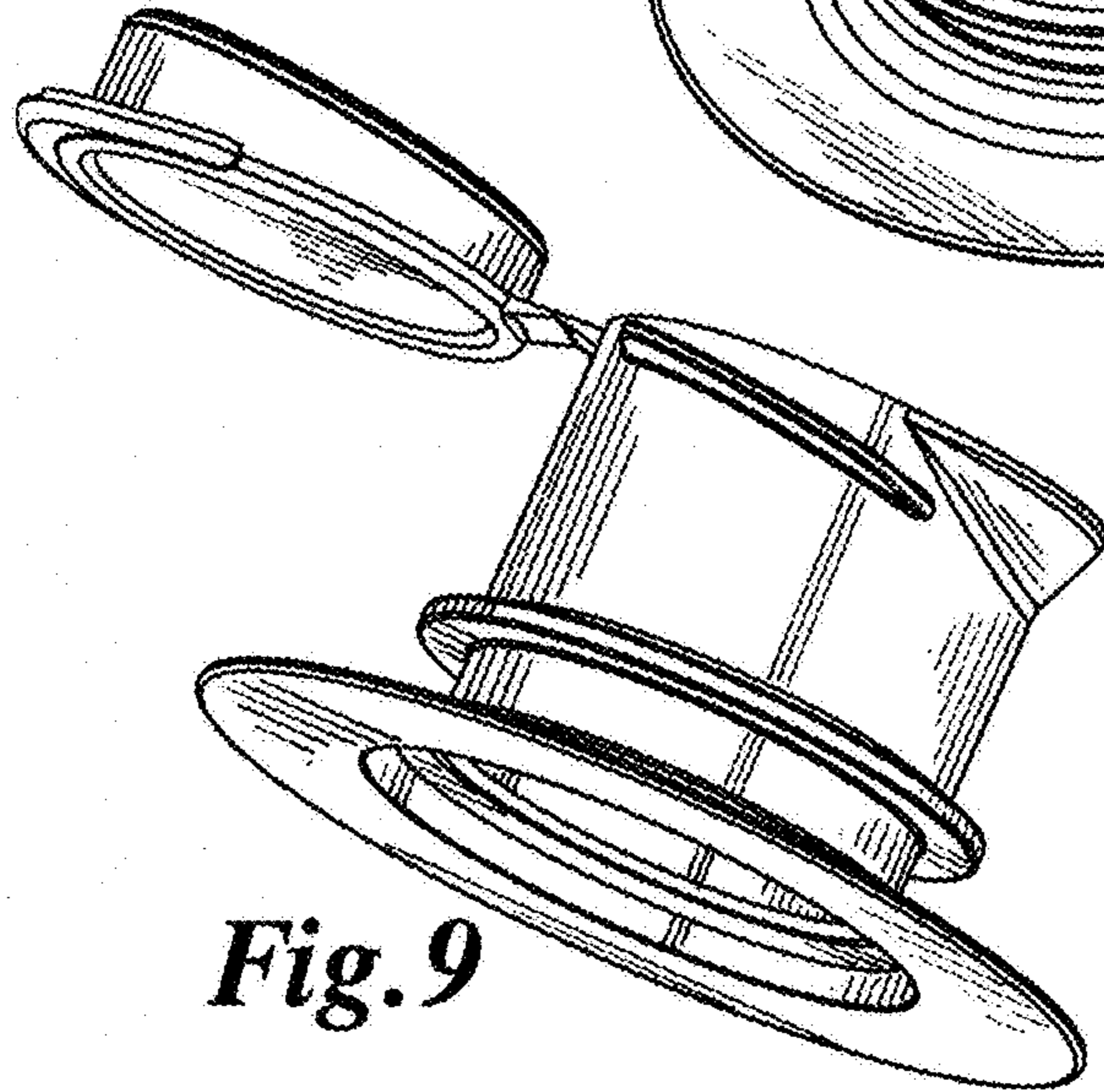
*Fig. 6*



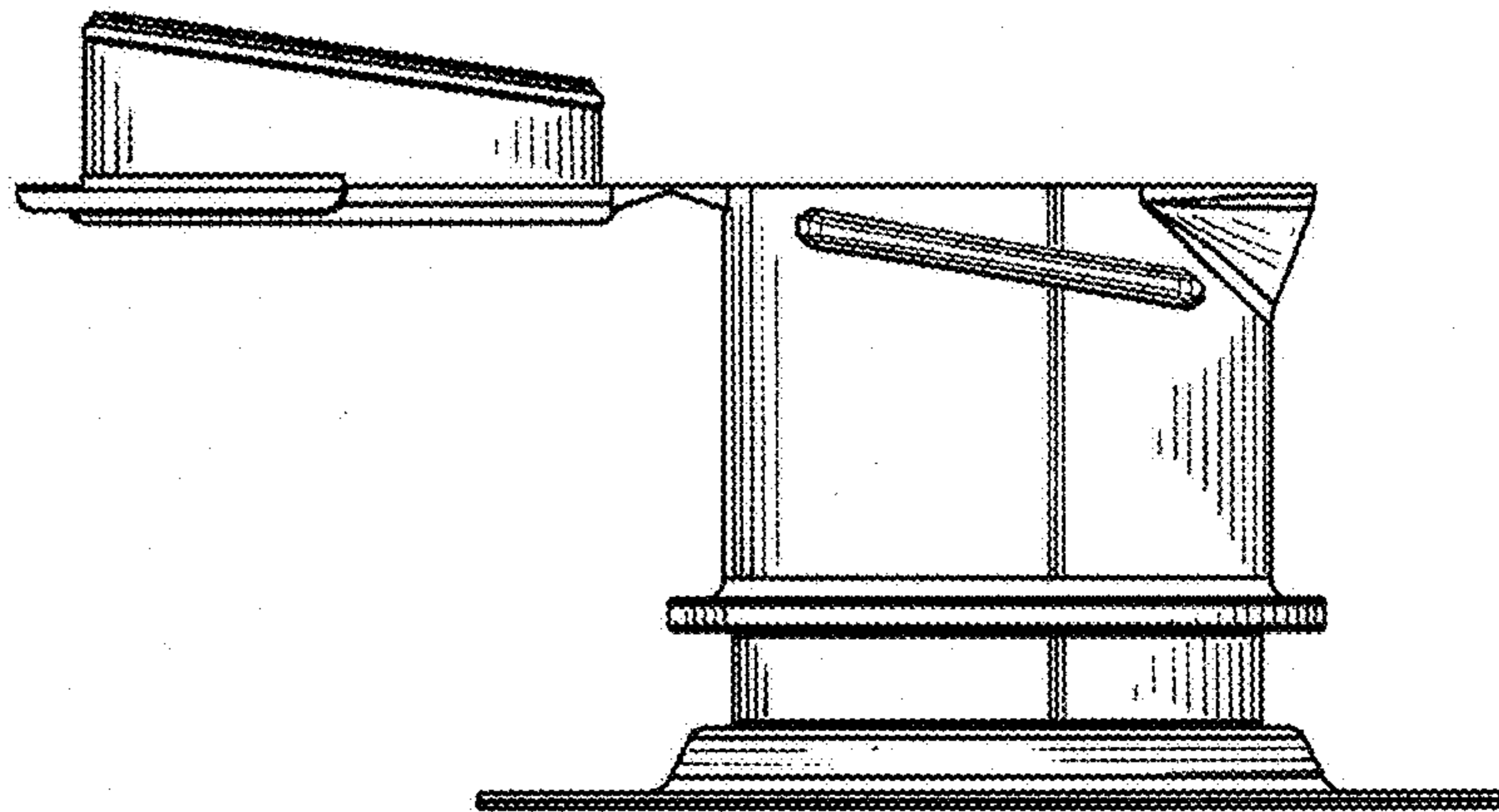
*Fig. 7*



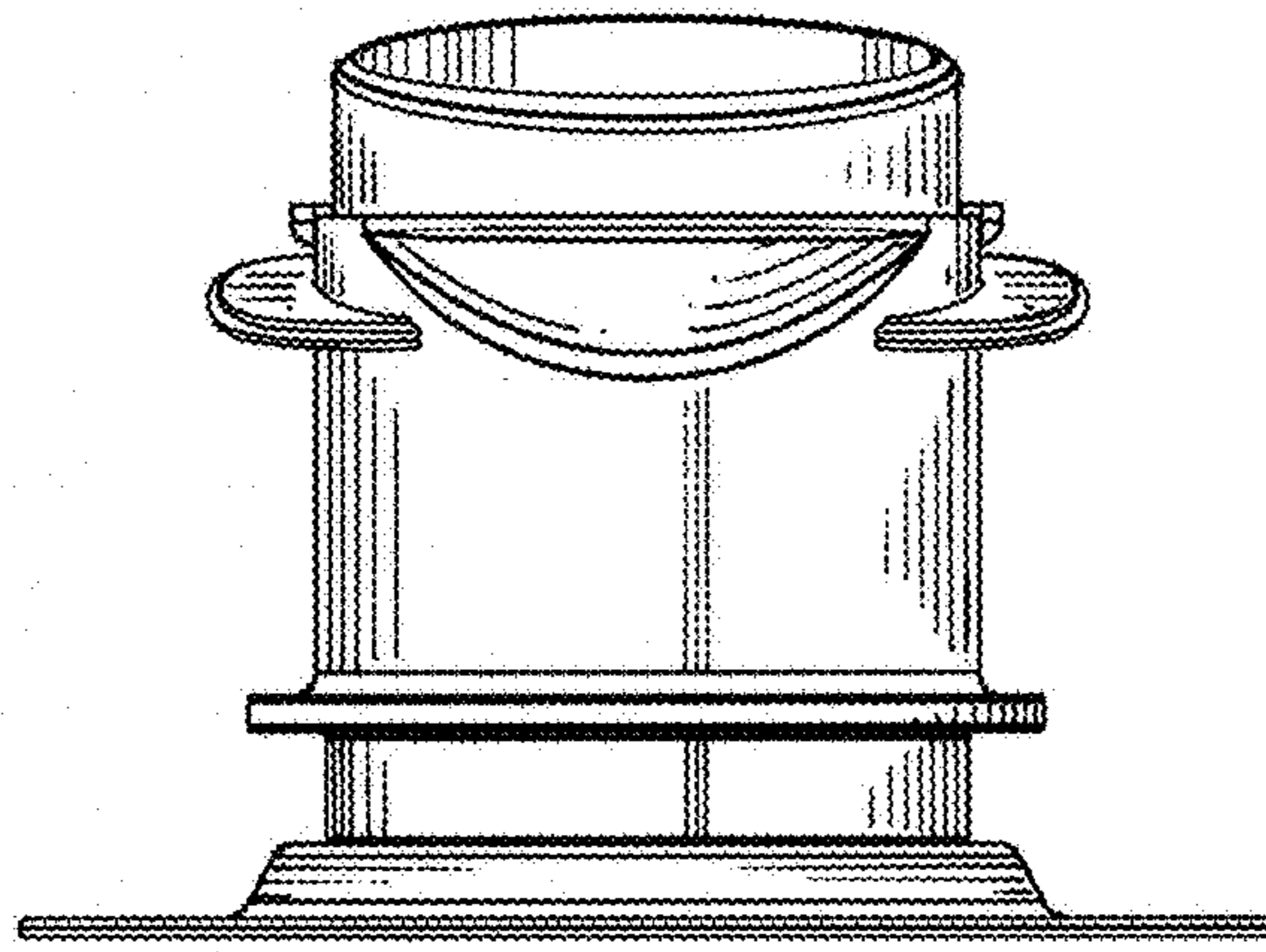
*Fig. 8*



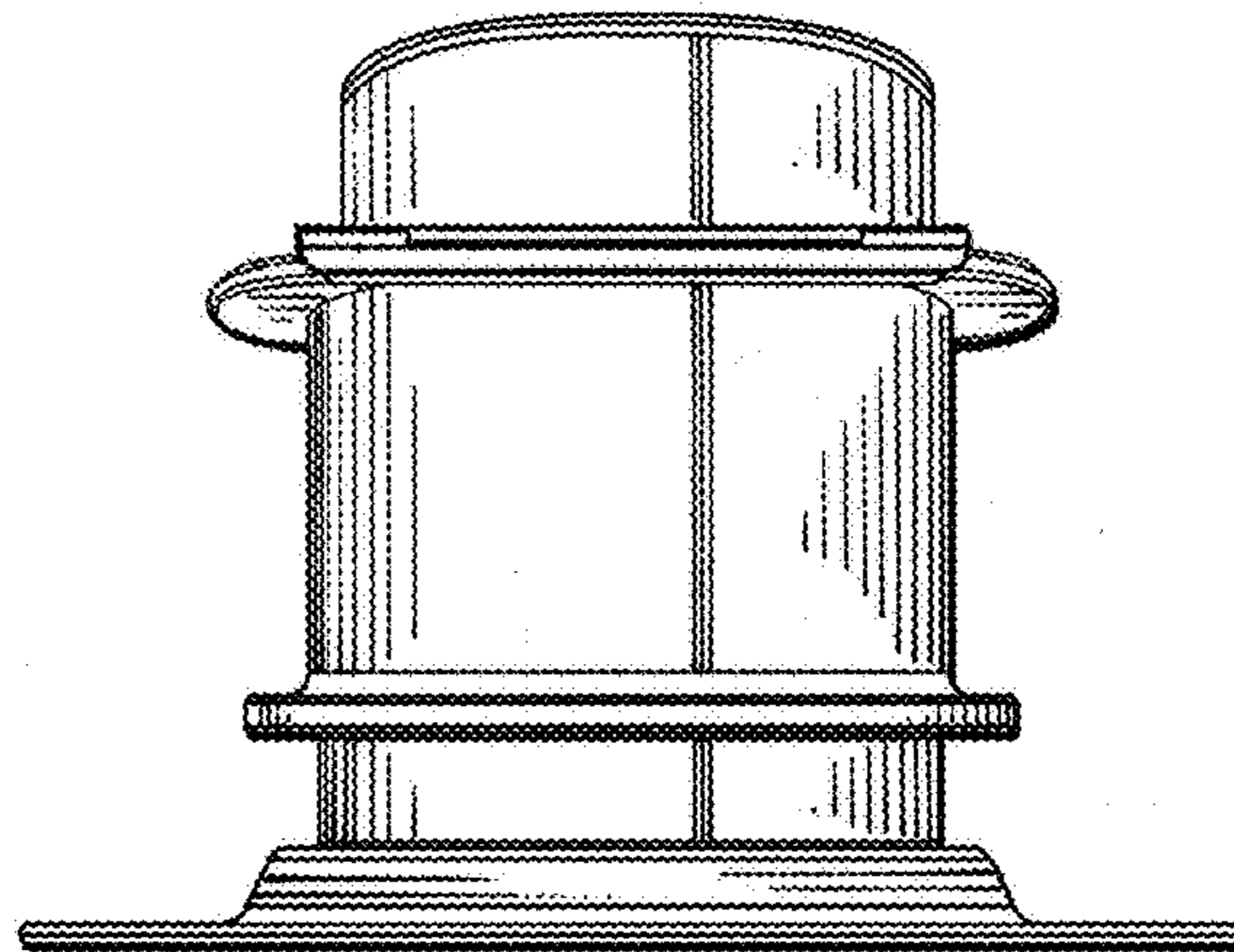
*Fig. 9*



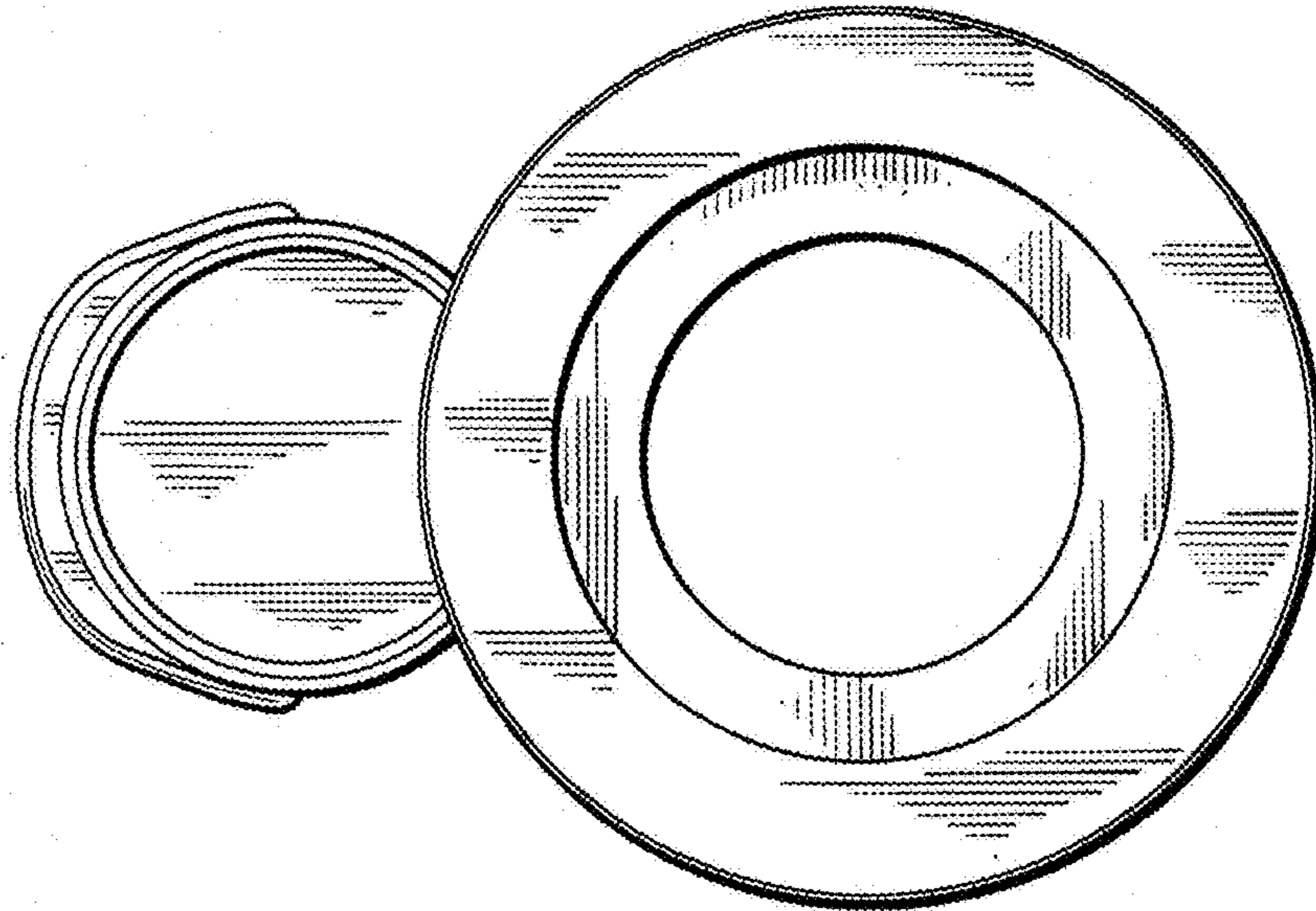
*Fig. 10*



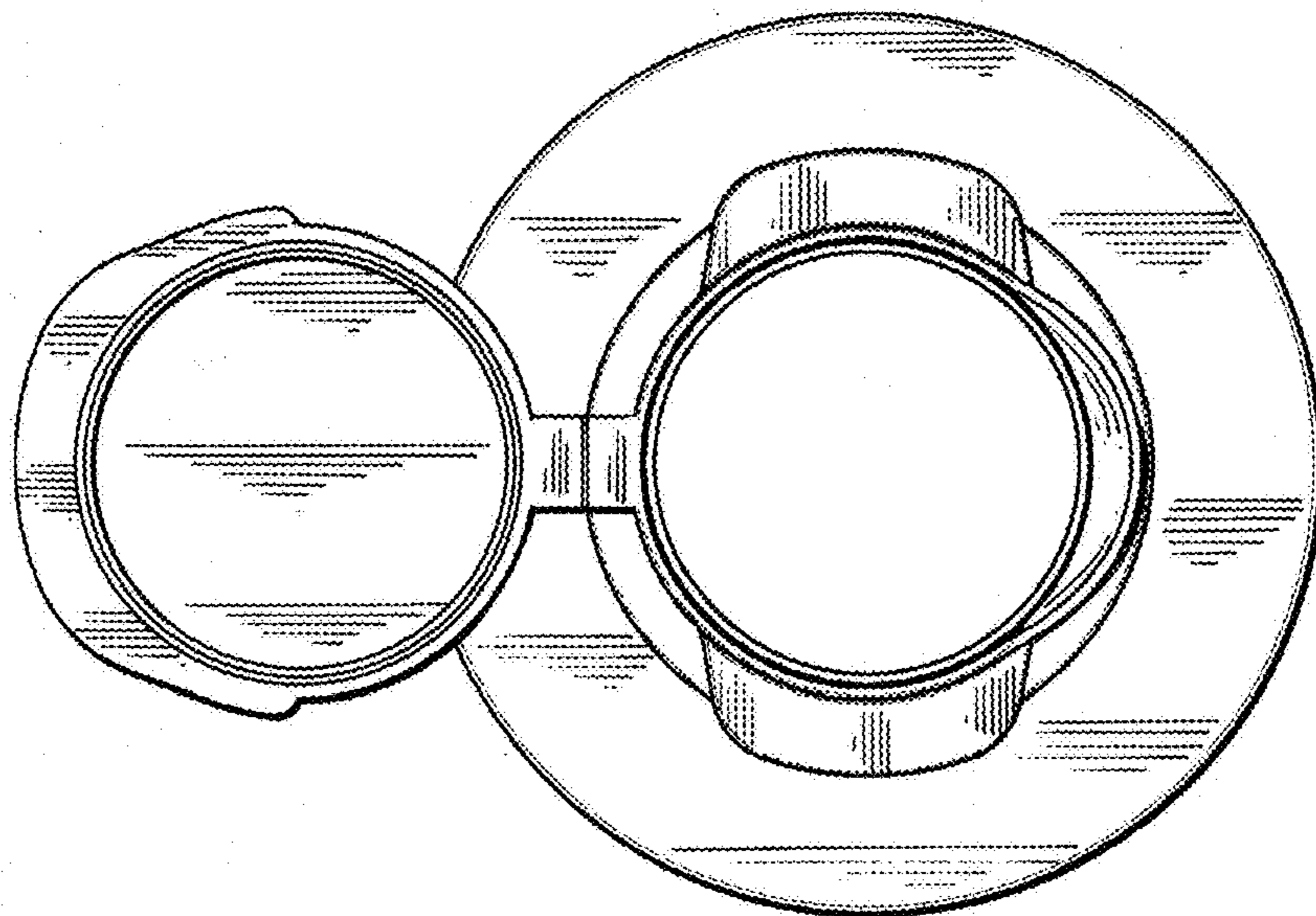
*Fig. 11*



*Fig. 12*



*Fig. 13*



*Fig. 14*