



US00D846383S

(12) **United States Design Patent** (10) **Patent No.:** **US D846,383 S**
Hernandez (45) **Date of Patent:** **** Apr. 23, 2019**

(54) **CARTON**

(74) *Attorney, Agent, or Firm* — Cooley LLP

(71) Applicant: **Certa Dose, Inc.**, Denver, CO (US)

(72) Inventor: **Caleb Hernandez**, Arvada, CO (US)

(57) **CLAIM**

The ornamental design for a carton, as shown and described.

(73) Assignee: **Certa Dose, Inc.**

(**) Term: **15 Years**

DESCRIPTION

(21) Appl. No.: **29/613,542**

The file of this patent or application contains at least one drawing executed in color. Copies of this patent or patent application publication with color drawing(s) will be provided by the Office upon request and payment of the necessary fee.

(22) Filed: **Aug. 10, 2017**

(51) **LOC (11) Cl.** **09-07**

(52) **U.S. Cl.**

USPC **D9/434**; D9/432; D9/499

(58) **Field of Classification Search**

USPC D3/201, 202, 242, 243, 272, 276, 304, D3/307, 315, 318; D7/387, 392.1, 601,

(Continued)

FIG. 1 is a perspective view of an embodiment of my design for a carton;

FIG. 2 is a front view of the design for a carton illustrated in FIG. 1;

FIG. 3 is a side view of the design for a carton illustrated in FIG. 1, all other side views being a mirror image thereof;

FIG. 4 is a top view of the design for a carton illustrated in FIG. 1, the bottom view being a mirror image thereof;

FIG. 5 is a perspective view of another embodiment of my design for a carton;

(56) **References Cited**

U.S. PATENT DOCUMENTS

D280,734 S * 9/1985 Bateman D19/11
4,713,888 A 12/1987 Broselow

(Continued)

FIG. 6 is a front view of the design for a carton illustrated in FIG. 5;

FIG. 7 is a side view of the design for a carton illustrated in FIG. 5, all other side views being a mirror image thereof;

FIG. 8 is a top view of the design for a carton illustrated in FIG. 5, the bottom view being a mirror image thereof;

FIG. 9 is a perspective view of another embodiment of my design for a carton;

FOREIGN PATENT DOCUMENTS

EP 0983761 3/2000
EP 2548597 A1 1/2013

(Continued)

FIG. 10 is a front view of the design for a carton illustrated in FIG. 9;

FIG. 11 is a side view of the design for a carton illustrated in FIG. 9, all other side views being a mirror image thereof; and,

FIG. 12 is a top view of the design for a carton illustrated in FIG. 9, the bottom view being a mirror image thereof.

The broken lines showing edges of the carton and markings thereon are for the purpose of illustrating environment and form no part of the claimed design. The shading in FIGS. 5

(Continued)

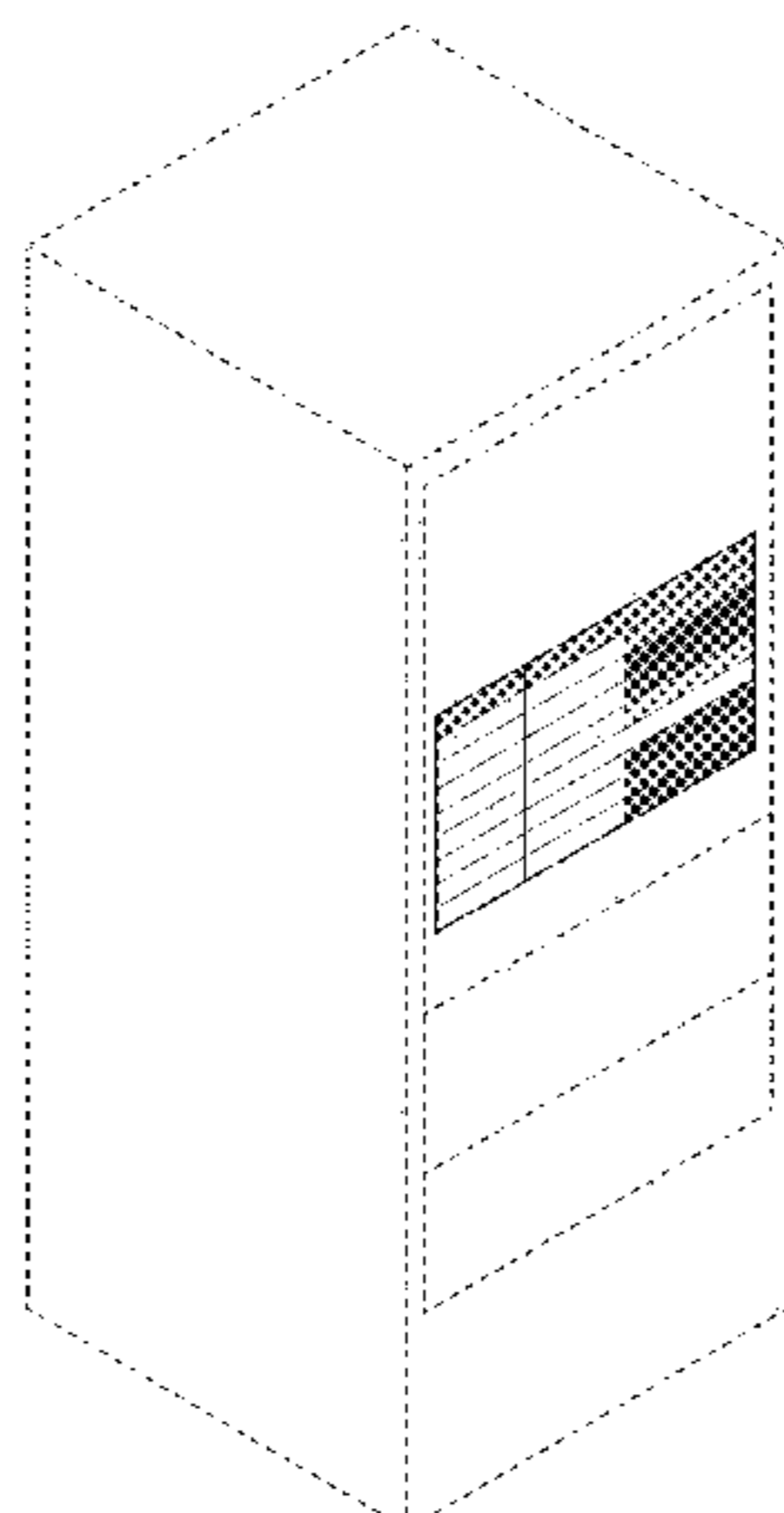
OTHER PUBLICATIONS

Med Alliance Group. Accurate Dosing Confirmed. 2018 [earliest online date], [site visited Jun. 20, 2018]. Available from Internet, <URL: <https://www.medalliancegroup.com/product/certadose-epinephrine/>>. (Year: 2018).*

(Continued)

Primary Examiner — George D. Kirschbaum

Assistant Examiner — Darcey E Heflin



and 6 depicts contrasting color/tone in embodiments of the claimed design, but not particular colors. FIGS. 9 and 10 are lined for color.

**1 Claim, 12 Drawing Sheets
(2 of 12 Drawing Sheet(s) Filed in Color)**

(58) **Field of Classification Search**

USPC D7/602, 609, 610, 622, 629, 630, 705,
D7/708.1; D9/414–419, 421–425, 427,
D9/429, 430–436, 443, 455–457, 499,
D9/504, 737, 744, 745, 751, 761;
D14/485–489, 493; D16/238; D19/9–12,
D19/37, 112, 113; D20/22, 27
CPC A61F 13/5514; A61F 13/55145; A61F
13/84; G09B 19/0076; B65B 61/26;
B65B 5/06; A41B 9/12

See application file for complete search history.

(56) **References Cited**

U.S. PATENT DOCUMENTS

4,716,888	A	1/1988	Wesner	
4,823,469	A	4/1989	Broselow	
4,926,885	A	5/1990	Hinkle	
5,010,656	A	4/1991	Broselow	
5,016,651	A	5/1991	Stalcup et al.	
5,468,224	A	11/1995	Souryal	
5,573,529	A	11/1996	Haak et al.	
5,773,258	A	6/1998	Birch et al.	
6,132,416	A	10/2000	Broselow	
6,322,543	B1	11/2001	Singh et al.	
6,338,200	B1	1/2002	Baxa et al.	
D500,342	S *	12/2004	Stewart	D20/27
D500,524	S *	1/2005	Stewart	D20/27
D547,658	S *	7/2007	Small	D20/27
D548,241	S *	8/2007	Viegers	D14/487
D684,467	S *	6/2013	Macaulay	D9/432
D684,468	S *	6/2013	Macaulay	D9/434
D686,492	S *	7/2013	DiFranza	D9/434
D687,707	S *	8/2013	Craig	D9/434
9,019,307	B1	4/2015	Grimm	
D741,871	S *	10/2015	Chung	G06F 3/04817 D14/485
D745,534	S *	12/2015	Cho	D14/485
D747,726	S *	1/2016	Virk	D14/485
D748,105	S *	1/2016	Virk	D14/485
D783,397	S *	4/2017	Riffe	D9/434
D797,759	S *	9/2017	Tsujimura	D14/485
D798,886	S *	10/2017	Prophete	D14/485
D819,060	S *	5/2018	Friedman	D14/485
2002/0088131	A1	7/2002	Baxa et al.	
2004/0024368	A1	2/2004	Broselow	
2005/0090782	A1	4/2005	Marshall et al.	
2005/0215957	A1	9/2005	Hynes	

2007/0135772	A1	6/2007	Grogan, Jr.
2008/0188814	A1	8/2008	Lavi-Loebl et al.
2008/0232542	A1	9/2008	Lin
2009/0126743	A1	5/2009	Wingert
2009/0149815	A1	6/2009	Kiel et al.
2013/0012886	A1	1/2013	Kawachi
2013/0101079	A1	4/2013	Hough et al.
2016/0022912	A1	1/2016	Hernandez
2016/0166774	A1	6/2016	Leary
2017/0151391	A1	6/2017	Hernandez
2017/0245811	A1	8/2017	Hernandez
2017/0304152	A1	10/2017	Hernandez

FOREIGN PATENT DOCUMENTS

GB	2461013	A	12/2009
WO	WO 2010/112558		10/2010
WO	WO 2011/114917		9/2011
WO	WO 2013/116353		8/2013
WO	WO 2017/193082		11/2017
WO	WO 2017/197145		11/2017

OTHER PUBLICATIONS

Excel Spreadsheet Group. 4+ Simple Excel Spreadsheet. Feb. 20, 2018 [earliest online date], [site visited Jun. 20, 2018]. Available from Internet, <URL:http://excelspreadsheetsgroup.com/4-simple-excel-spreadsheet/>. (Year: 2018).*

Supplementary European Search Report for European Application No. 13742871.0, dated Jul. 17, 2015, 6 pages.

International Search Report and Written Opinion for International Application No. PCT/US2013/023873, dated Jun. 2, 2013, 12 pages.

International Search Report and Written Opinion for International Application No. PCT/US2017/031420, dated Aug. 14, 2017, 6 pages.

International Search Report and Written Opinion for International Application No. PCT/US2017/032207, dated Jul. 26, 2017, 9 pages.

Critical Care Medicine; "A pediatric gastric tube airway," The Williams & Watkins Co.; 9(5):426-427 (1981).

"Color Coding System Measures Kids' Meds," Healthy Living, KABC-TV/DT, Mar. 24, 2009, 5 pages.

McFadden, M., "New dosing system takes the guesswork out of giving medicine to kids," WNDU—Channel 16, Mar. 12, 2009, 3 pages.

HMC Pharmacy, "New Procedure: Emergency syringes," Harborview Medical Center (Oct. 2010), 1 page.

Frush, K. S. et al., "Evaluation of a Method to Reduce Over-the-Counter Medication Dosing Error," Arch. Pediatr. Adolesc. Med., 158:620-624 (Jul. 2004).

Moreira, M. E. et al., "Color-Coded Prefilled Medication Syringe Decrease Time to Delivery and Dosing Error in Simulated Emergency Department Pediatric Resuscitations," Annals of Emergency Medicine, United States of America, American College of Emergency Physicians, Aug. 2015, vol. 66, No. 2, pp. 97-106.

* cited by examiner

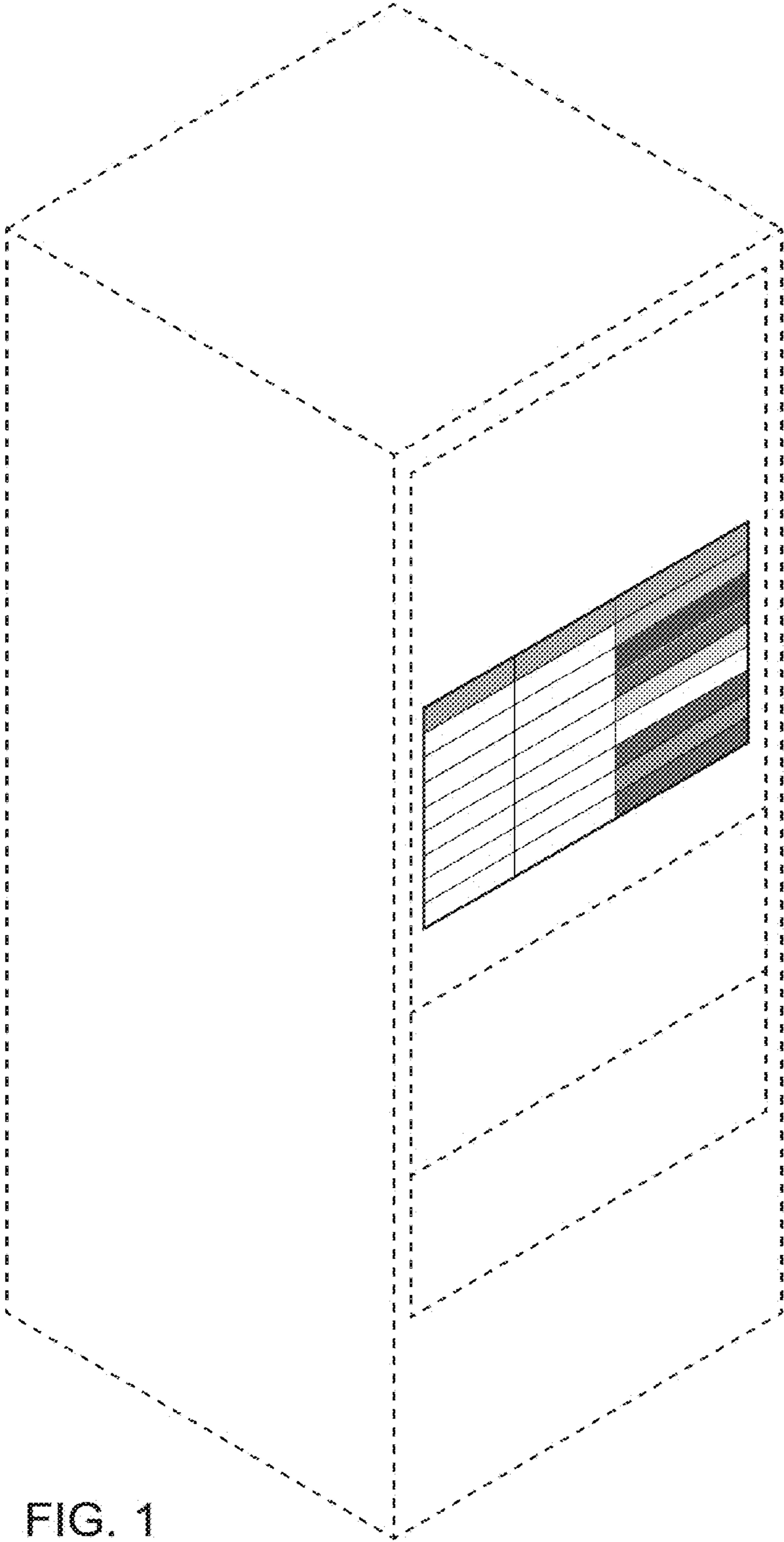


FIG. 1

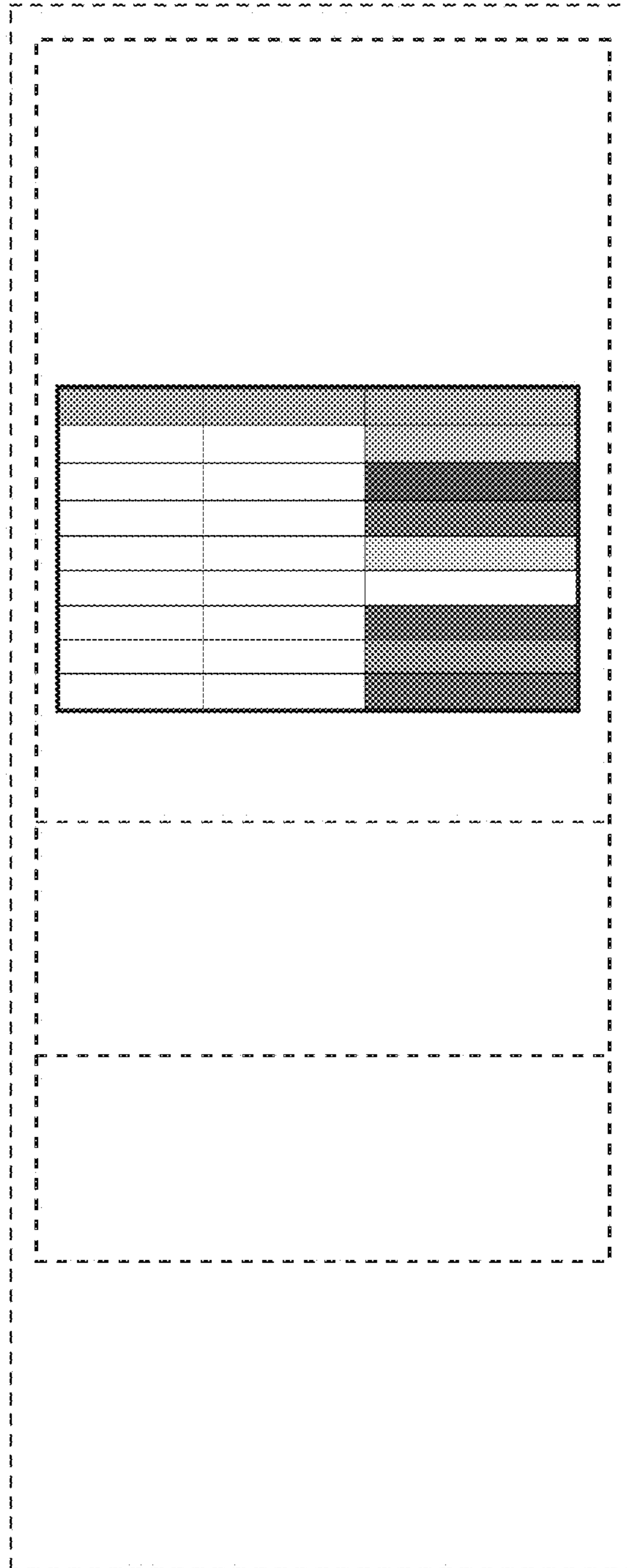


FIG. 2

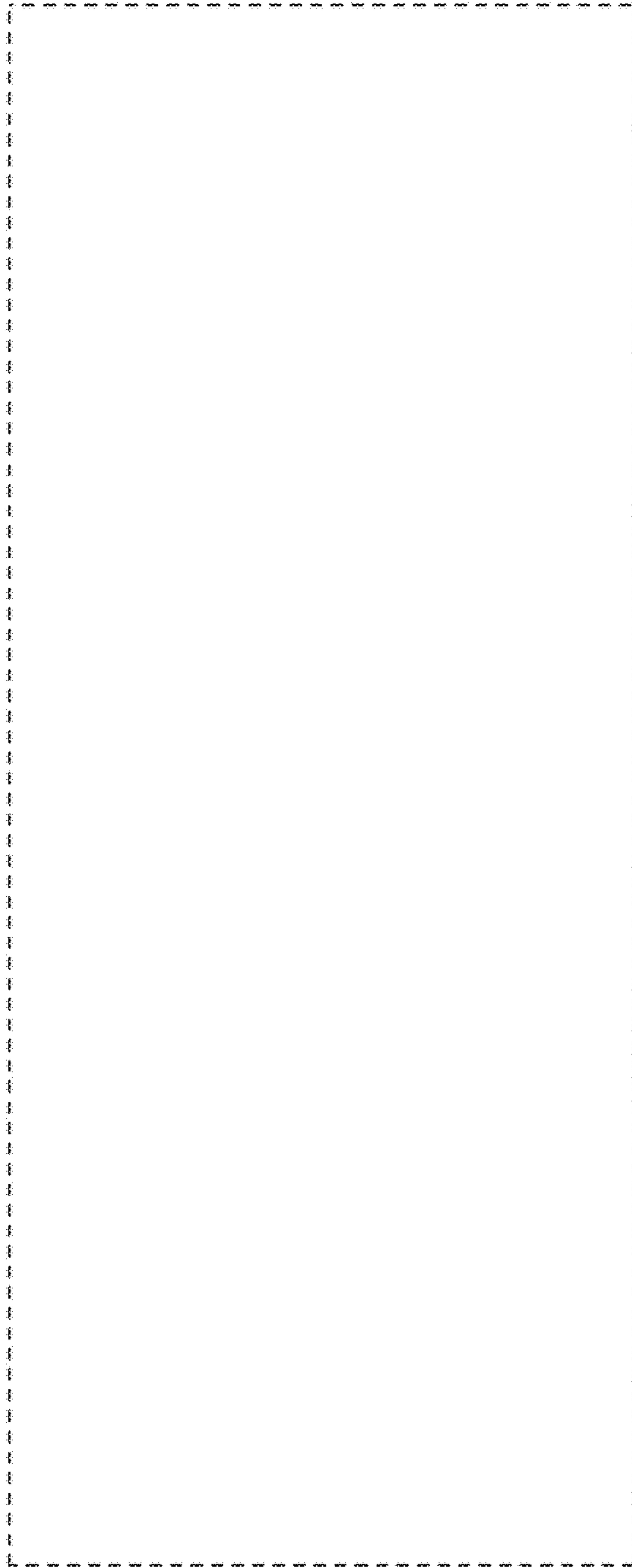


FIG. 3

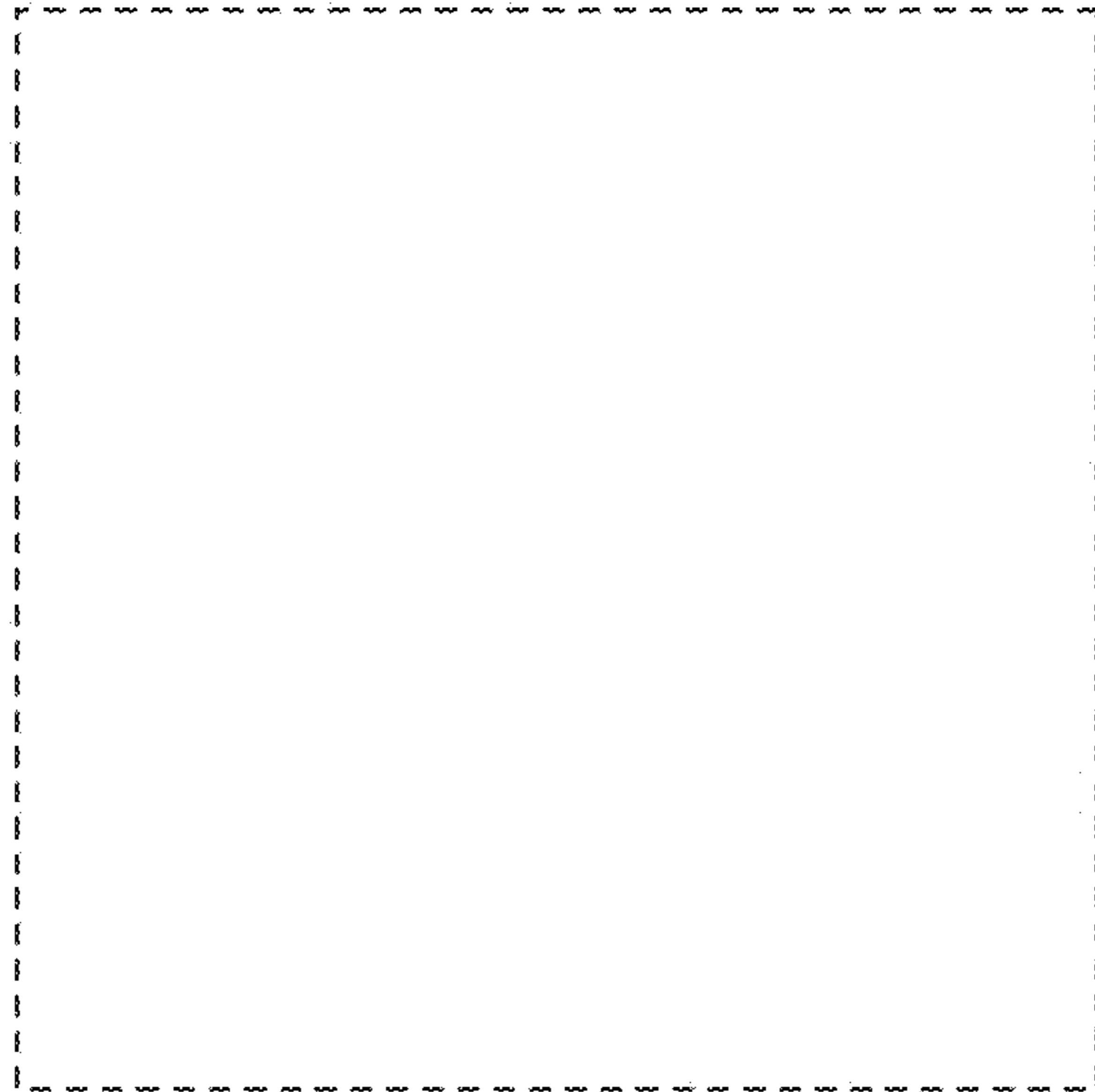


FIG. 4

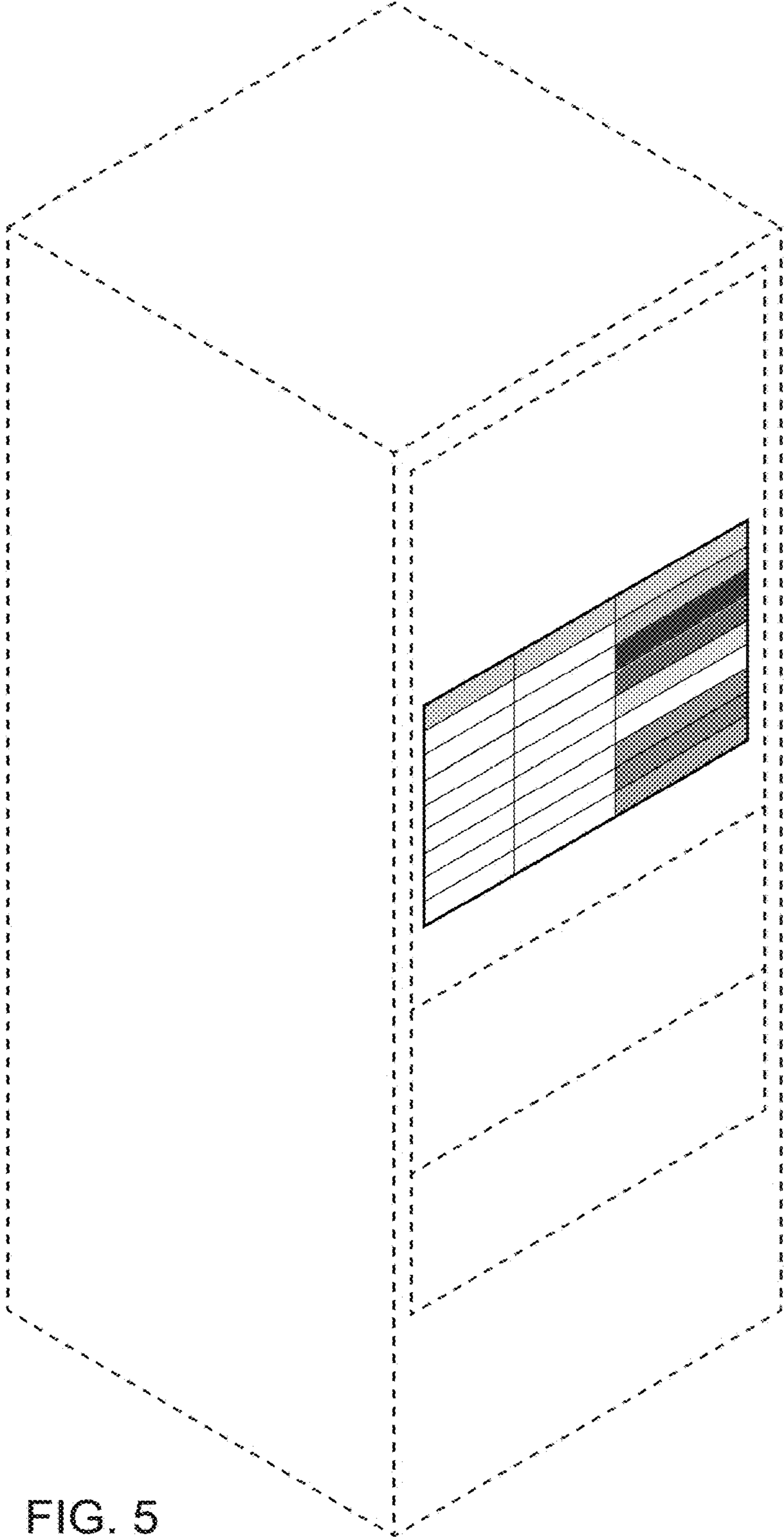


FIG. 5

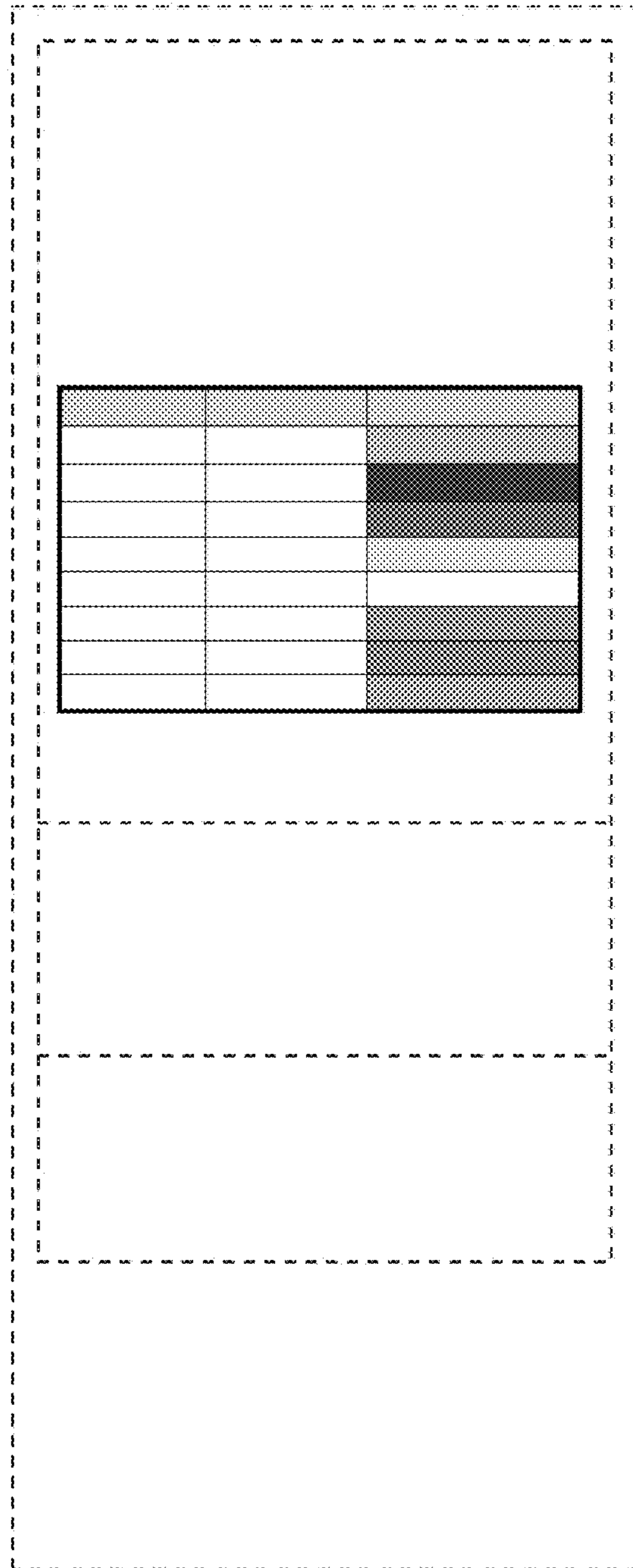


FIG. 6

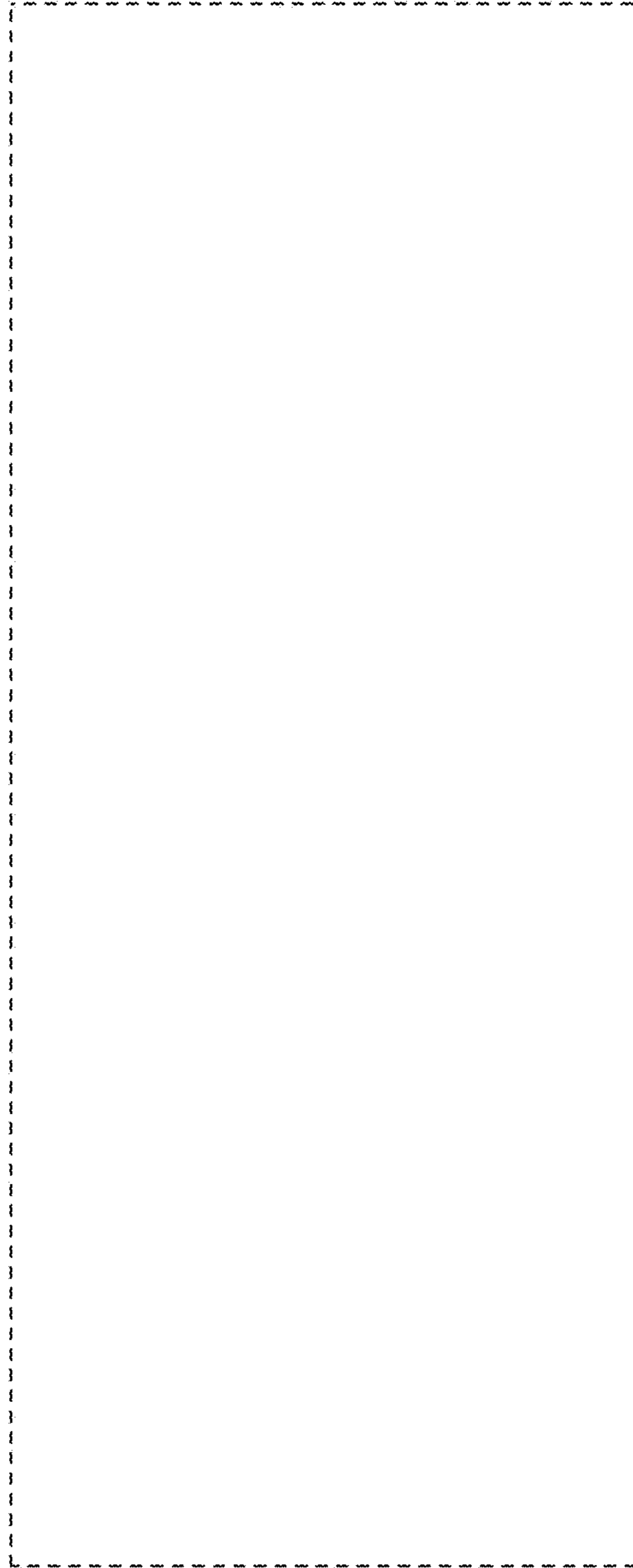


FIG. 7

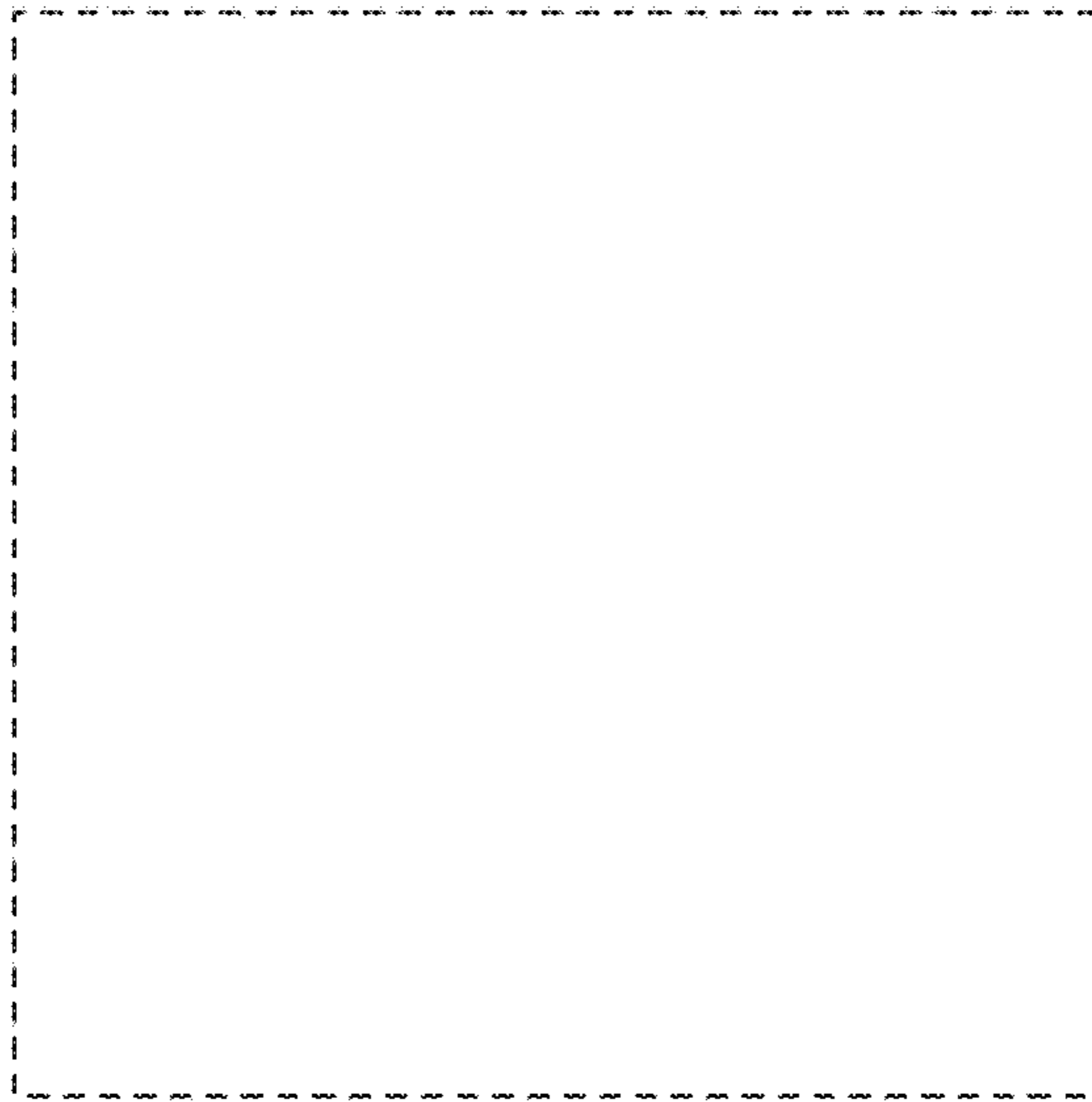


FIG. 8

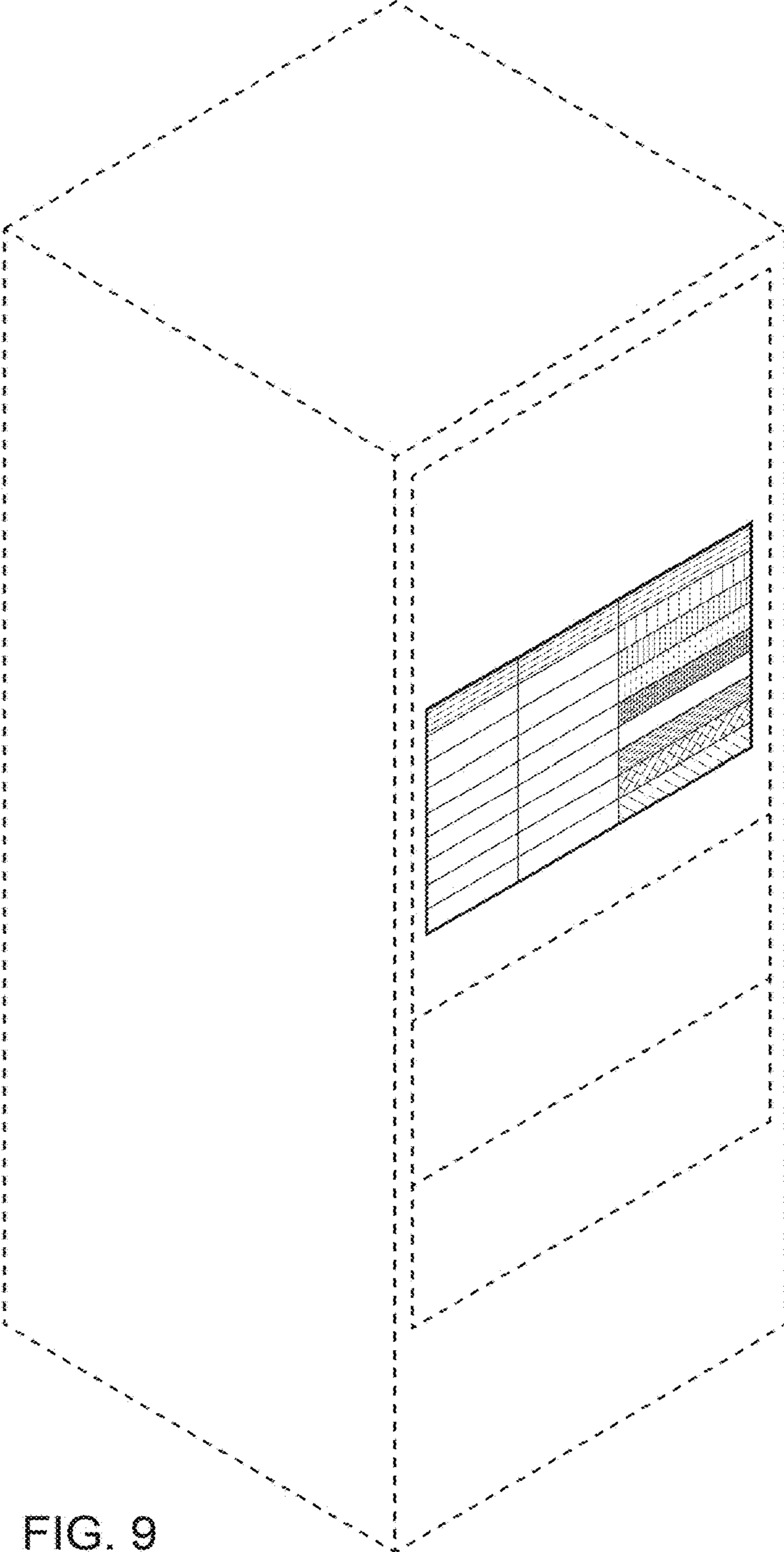


FIG. 9

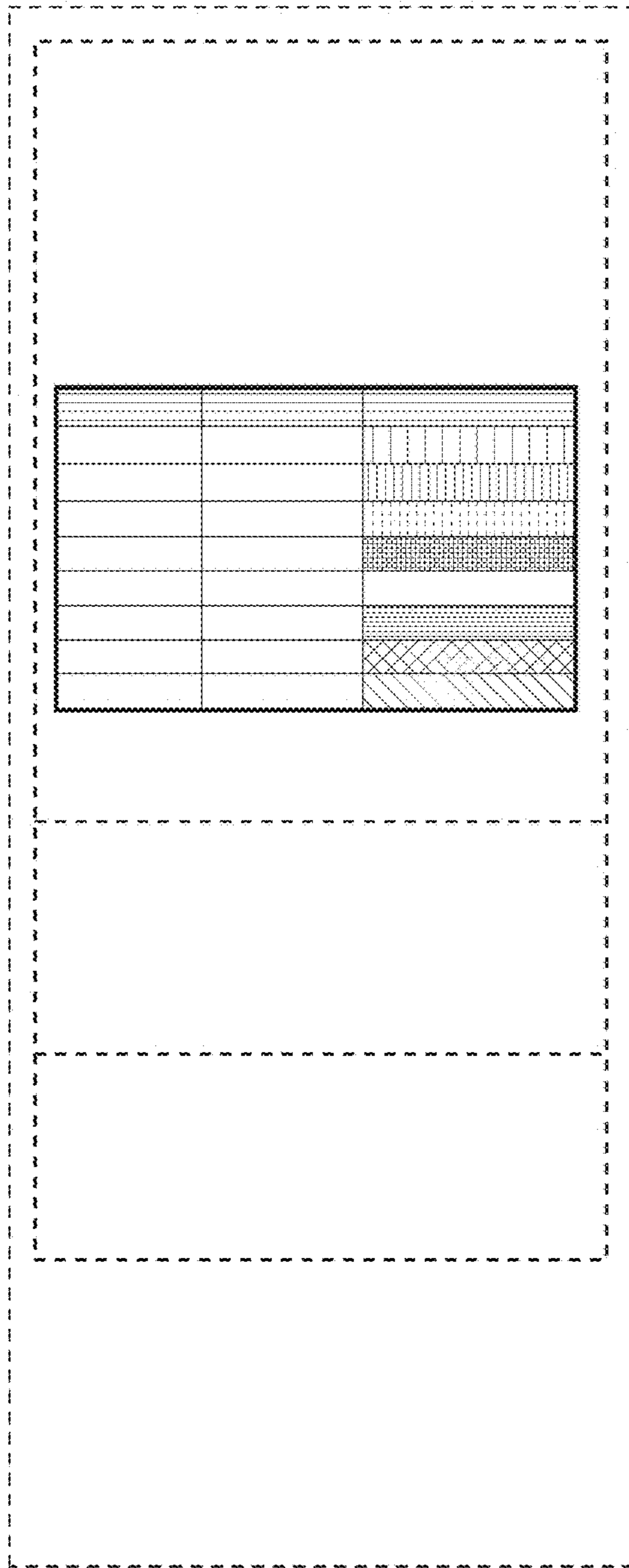


FIG. 10

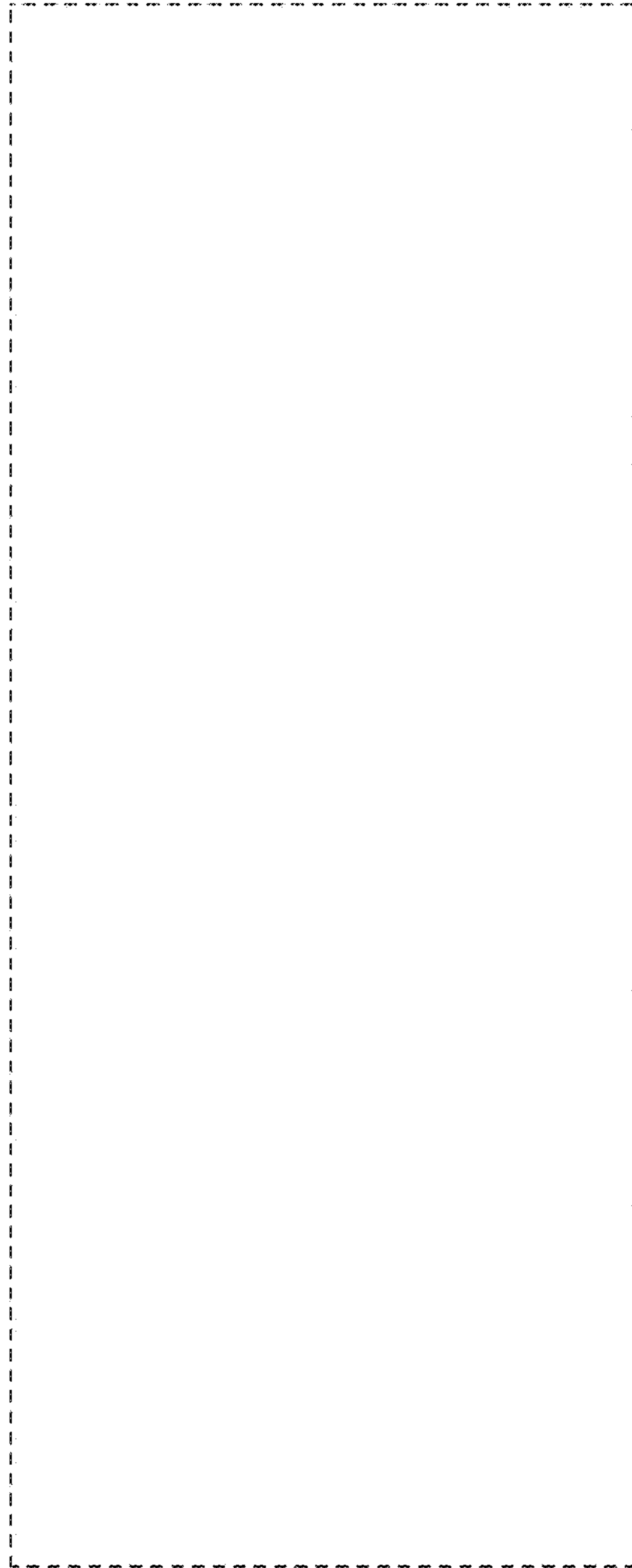


FIG. 11

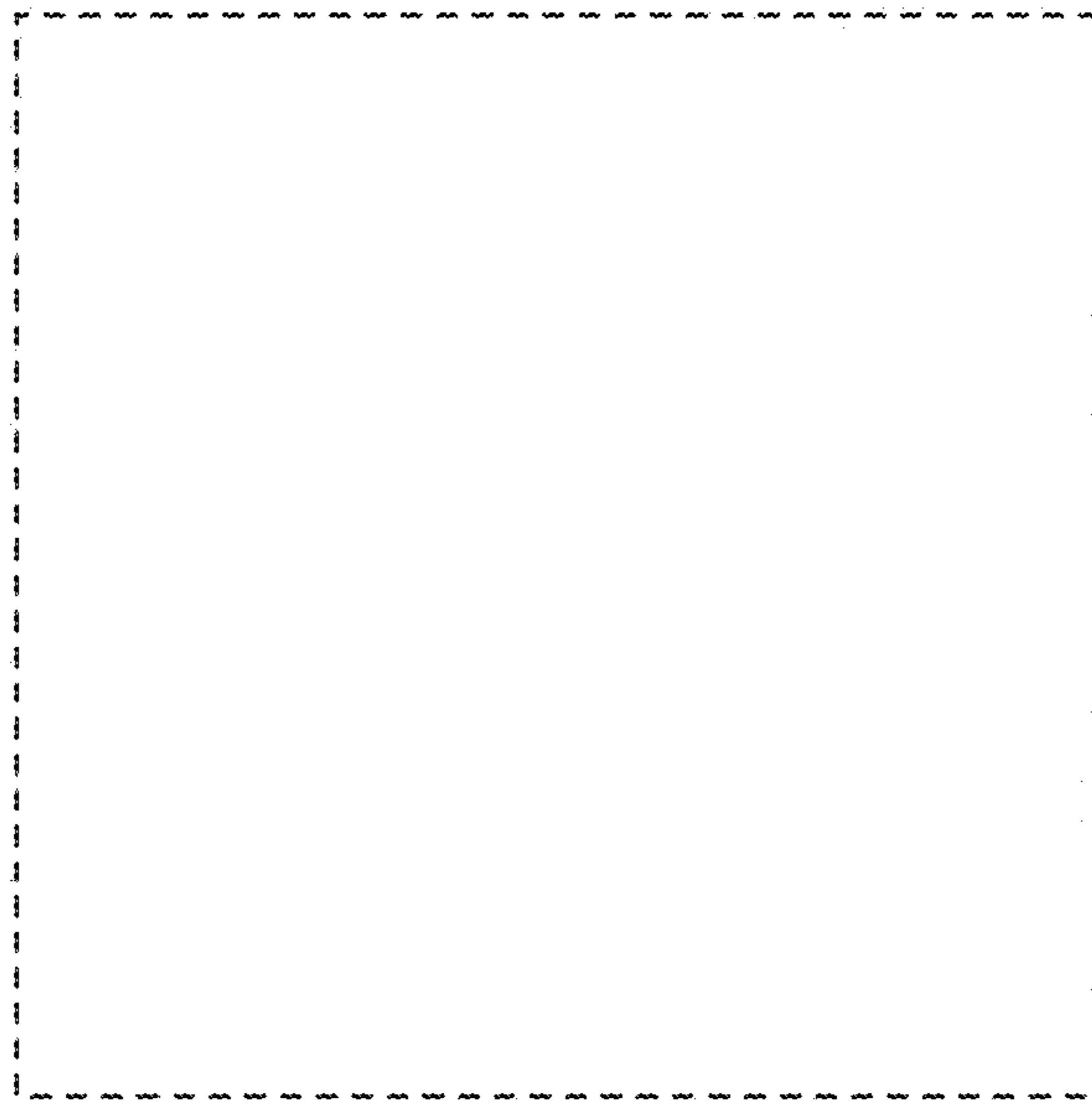


FIG. 12