

US00D846379S

(12) **United States Design Patent** (10) **Patent No.:** **US D846,379 S**  
**Sill et al.** (45) **Date of Patent:** **\*\* Apr. 23, 2019**

(54) **CLOSEABLE CONTAINER**  
(71) Applicant: **Inno-Pak, LLC**, Delaware, OH (US)  
(72) Inventors: **Jonathan D. Sill**, Delaware, OH (US);  
**Steven A. Mayer**, Indianapolis, IN (US)  
(73) Assignee: **Inno-Pak, LLC**, Delaware, OH (US)  
(\*\*) Term: **15 Years**

D333,781 S 3/1993 Kobel  
D365,755 S 1/1996 Kanfer et al.  
D372,401 S 8/1996 Lillelund et al.  
D401,147 S 11/1998 Miller  
D415,960 S 11/1999 Majdanski et al.  
D464,878 S 10/2002 Thompson  
D469,349 S 1/2003 Meeker et al.  
D469,692 S 2/2003 Meeker et al.  
D485,172 S 1/2004 Defino  
D519,366 S 4/2006 Epstein  
D536,245 S 2/2007 Bruun  
D536,612 S 2/2007 Geurts et al.

(Continued)

(21) Appl. No.: **29/615,118**  
(22) Filed: **Aug. 25, 2017**

**Related U.S. Application Data**

(62) Division of application No. 29/566,228, filed on May 27, 2016, now Pat. No. Des. 800,547.  
(51) **LOC (11) Cl.** ..... **09-03**  
(52) **U.S. Cl.**  
USPC ..... **D9/418**  
(58) **Field of Classification Search**  
USPC ..... D9/414, 418-422, 431-433, 499;  
D7/590, 601, 612; D19/91  
CPC ..... B65D 5/16; B65D 5/4204; B65D 5/5007;  
B65D 5/5206; B65D 1/00; B65D 1/22;  
B65D 1/225; A47F 7/03; A47F 7/145  
See application file for complete search history.

(56) **References Cited**

**U.S. PATENT DOCUMENTS**

D259,253 S 5/1981 Nelson  
D291,065 S 7/1987 Pugh  
D295,958 S 5/1988 Pugh  
4,911,298 A 3/1990 Miyagawa  
D309,262 S 7/1990 Coiner  
5,114,002 A \* 5/1992 Warner ..... B65D 5/5007  
206/783  
D332,347 S 1/1993 Raadt  
D332,744 S 1/1993 McCooey

**OTHER PUBLICATIONS**

Notice of Allowance dated Apr. 18, 2016 from U.S. Appl. No. 29/527,085.  
Office Action dated Feb. 1, 2016 from U.S. Appl. No. 29/516,707.

*Primary Examiner* — Wan Laymon  
*Assistant Examiner* — Clint A Samuel  
(74) *Attorney, Agent, or Firm* — Ward and Smith, P.A.;  
Ryan K. Simmons

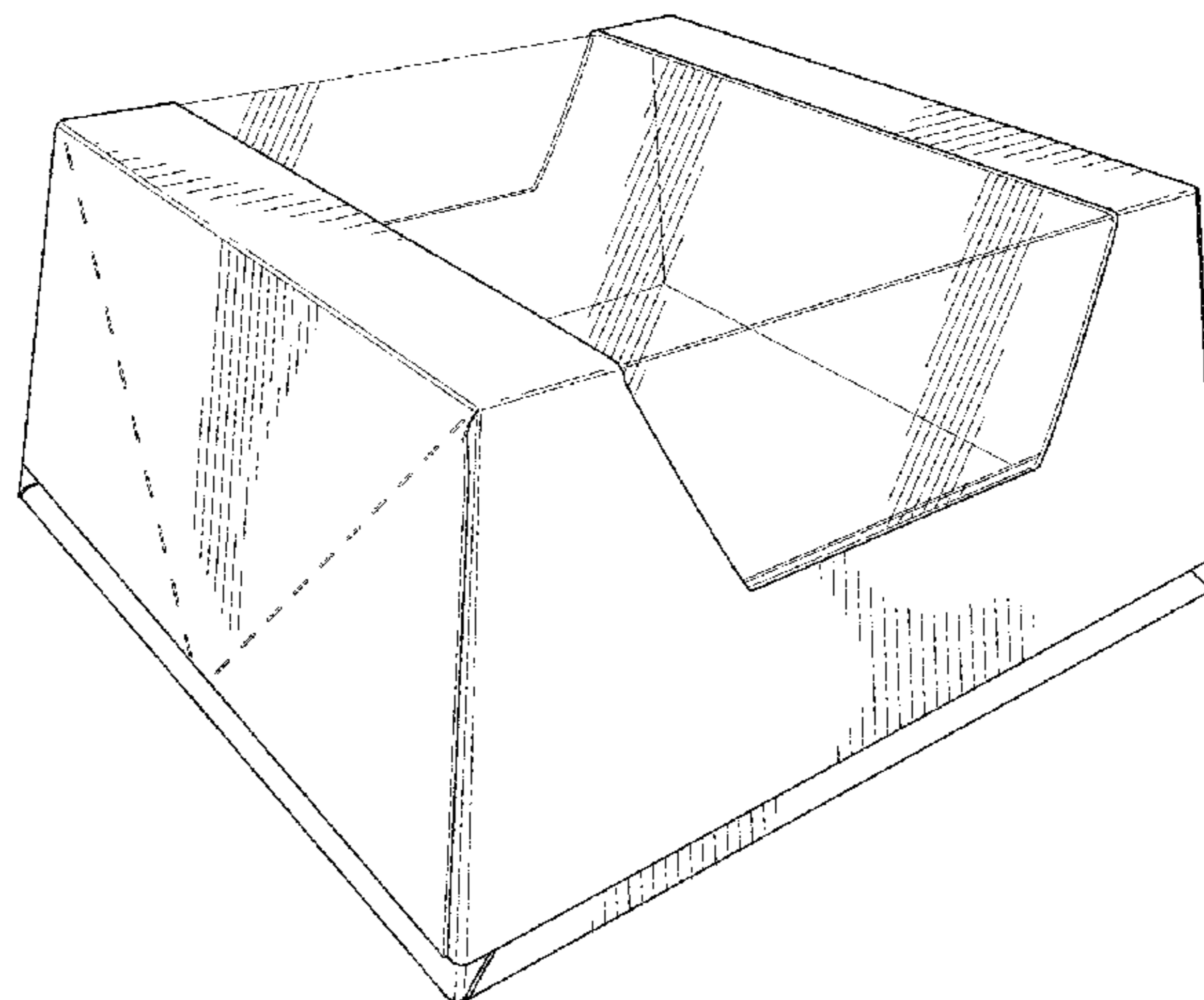
(57) **CLAIM**

The ornamental design for a closeable container, as shown and described.

**DESCRIPTION**

FIG. 1 is a perspective view of a closeable container showing our new design;  
FIG. 2 is a front elevation view thereof, the rear being a mirror image;  
FIG. 3 is a left side elevation view thereof, the right side being a mirror image;  
FIG. 4 is a top plan view thereof; and,  
FIG. 5 is a plan view of the closeable container showing the closeable container in a blank configuration.  
In the Figures, the dash-dash broken lines are for the purpose of illustrating perforations.

**1 Claim, 4 Drawing Sheets**



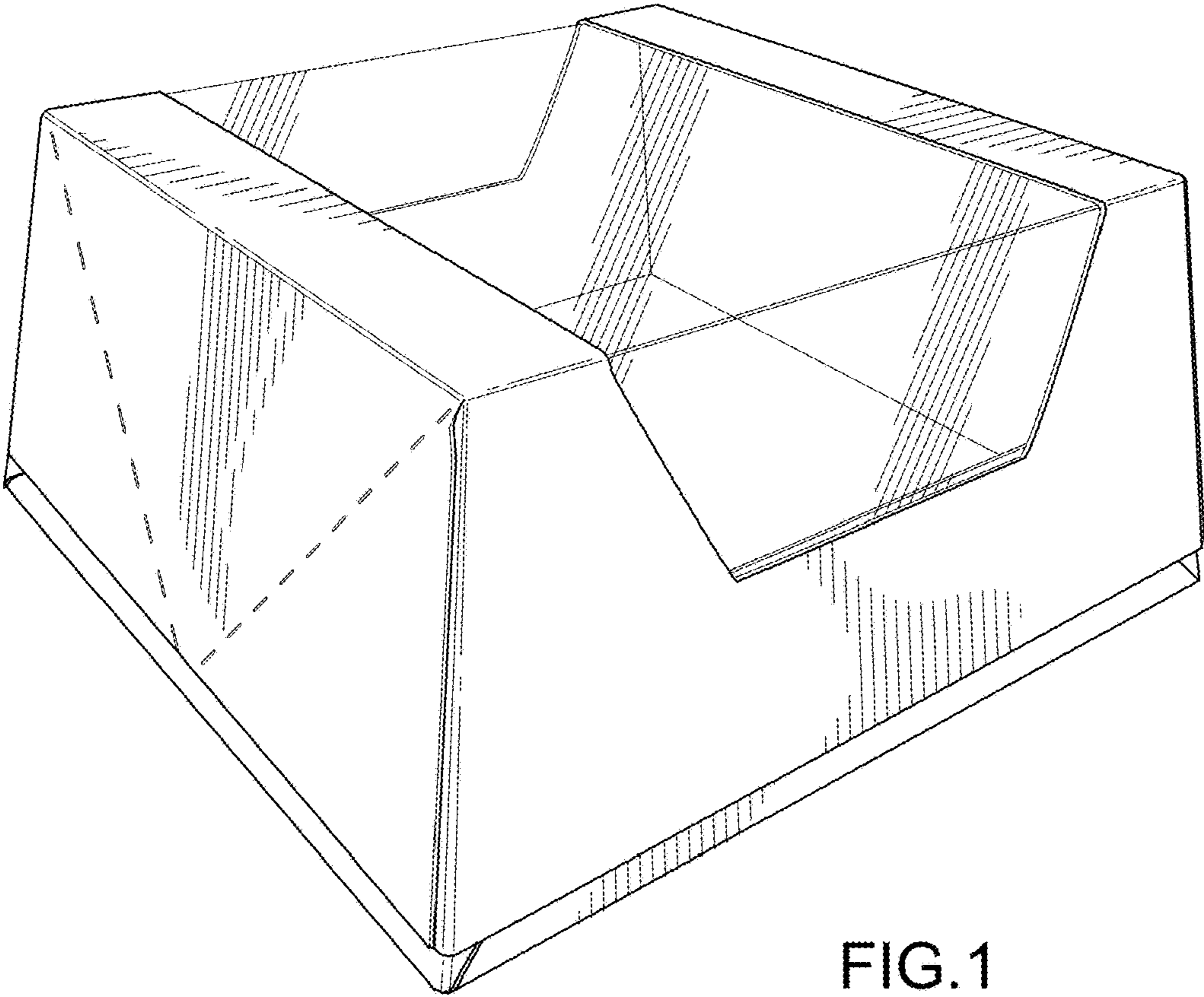
(56)

References Cited

U.S. PATENT DOCUMENTS

D578,883 S	10/2008	Kisch	D727,732 S	4/2015	Petty	
D580,751 S	11/2008	Blick	D728,357 S	5/2015	Pierce	
D587,998 S	3/2009	Kaisanlahti	D729,055 S	5/2015	Lemnios et al.	
D593,211 S	5/2009	Dewitt	D729,058 S	5/2015	Ishikawa	
D595,104 S	6/2009	Goodrich	D739,228 S	9/2015	Jondal et al.	
D602,353 S	10/2009	Anderson et al.	D746,673 S	1/2016	Sanfilippo	
D607,987 S	1/2010	Paxton	D746,700 S	1/2016	Boehnen et al.	
D617,636 S	6/2010	Vanhoutte	D753,919 S	4/2016	Parker	
D618,543 S	6/2010	Polaski	D760,598 S	7/2016	White	
7,780,004 B2	8/2010	Carlozzi	D762,113 S	7/2016	Mayer	
D623,939 S	9/2010	Tearle	D766,108 S	9/2016	Brown	
D626,831 S	11/2010	Nicholas	D774,891 S	12/2016	Mayer	
D636,662 S	4/2011	Ignacio et al.	D774,893 S	12/2016	Mayer	
D637,078 S	5/2011	Peng	D774,895 S	12/2016	Mayer	
D638,702 S	5/2011	Lowery	D774,896 S	12/2016	Mayer	
D644,099 S	8/2011	Martinez Rodriguez	D774,897 S	12/2016	Mayer	
D644,508 S	9/2011	Martinez Rodriguez	D774,898 S	12/2016	Mayer	
D646,964 S	10/2011	Ampadu	D776,522 S	1/2017	Mayer	
D647,398 S	10/2011	Winkler	D786,663 S	5/2017	Mayer	
D649,067 S	11/2011	Birdwell et al.	D787,313 S	5/2017	Mayer	
D649,886 S	12/2011	Ocampo	D787,314 S	5/2017	Sill	
D651,074 S	12/2011	Lacey	D787,315 S	5/2017	Sill	
D655,153 S	3/2012	Mitten	D787,316 S	5/2017	Sill	
D668,540 S	10/2012	Lutzig	D787,929 S	5/2017	Sill	
D675,092 S	1/2013	Sill	D787,933 S	5/2017	Sill	
D675,920 S	2/2013	Sill	D789,783 S *	6/2017	Debusk .....	D9/418
D678,779 S	3/2013	Lee	D799,317 S	10/2017	Sill	
D679,950 S	4/2013	Cooper	D799,955 S	10/2017	Sill	
D681,444 S	5/2013	Oja et al.	D800,546 S	10/2017	Sill	
D685,633 S	7/2013	Thomas	D800,547 S	10/2017	Sill	
D688,568 S	8/2013	Noel	D800,548 S	10/2017	Sill	
D693,215 S	11/2013	Sill	D816,479 S *	5/2018	Sill .....	D9/418
D693,216 S	11/2013	Sill	D816,480 S *	5/2018	Sill .....	D9/418
D693,217 S	11/2013	Sill	D816,481 S *	5/2018	Sill .....	D9/418
D693,218 S	11/2013	Sill	D822,480 S *	7/2018	Rivera .....	D9/418
D695,104 S	12/2013	Sill	D829,095 S *	9/2018	McKenna .....	D9/432
D696,725 S	12/2013	Sasken-Duff et al.	2009/0236351 A1	9/2009	Chu et al.	
8,607,987 B2	12/2013	Oja et al.	2010/0059579 A1	3/2010	House	
D706,132 S	6/2014	Sill	2013/0220873 A1 *	8/2013	Holley, Jr. ....	B65D 71/10 206/593
D708,511 S	7/2014	Green	2014/0103100 A1	4/2014	Falcon	
D712,275 S	9/2014	Irek	2015/0344216 A1	12/2015	Petty et al.	
D713,716 S	9/2014	Oja et al.	2016/0362220 A1	12/2016	Kearns	
D716,649 S	11/2014	McAdam	2017/0066586 A1	3/2017	Petty	
D717,162 S	11/2014	Baker	2018/0022500 A1 *	1/2018	Zhu .....	B65D 5/0254 206/775
D717,163 S	11/2014	Paulsen	2018/0118403 A1 *	5/2018	Petty .....	B65D 5/4204
D717,645 S	11/2014	Wilmers	2018/0127141 A1 *	5/2018	Brundage .....	B65D 5/4204
D719,440 S	12/2014	Matloff				

\* cited by examiner



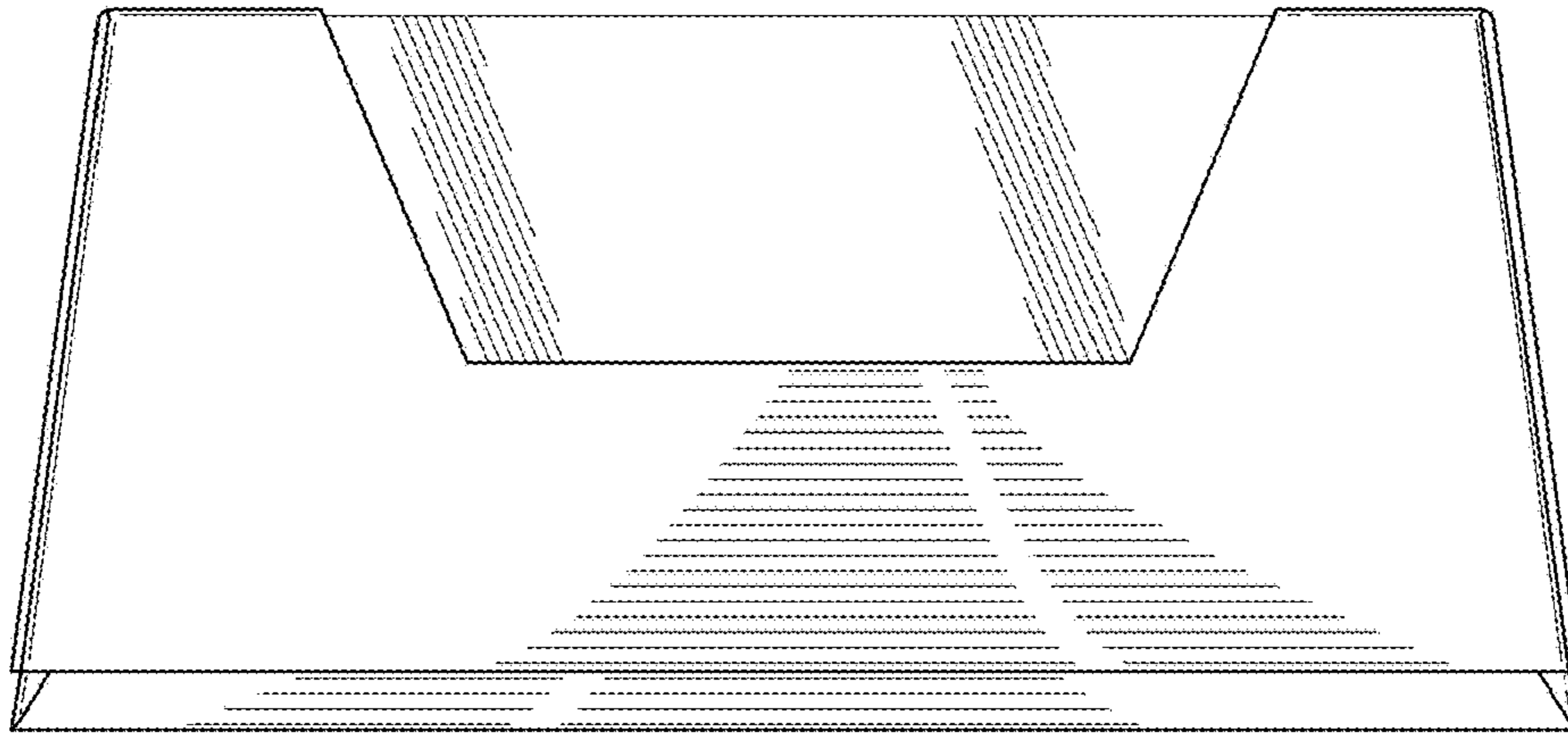


FIG. 2

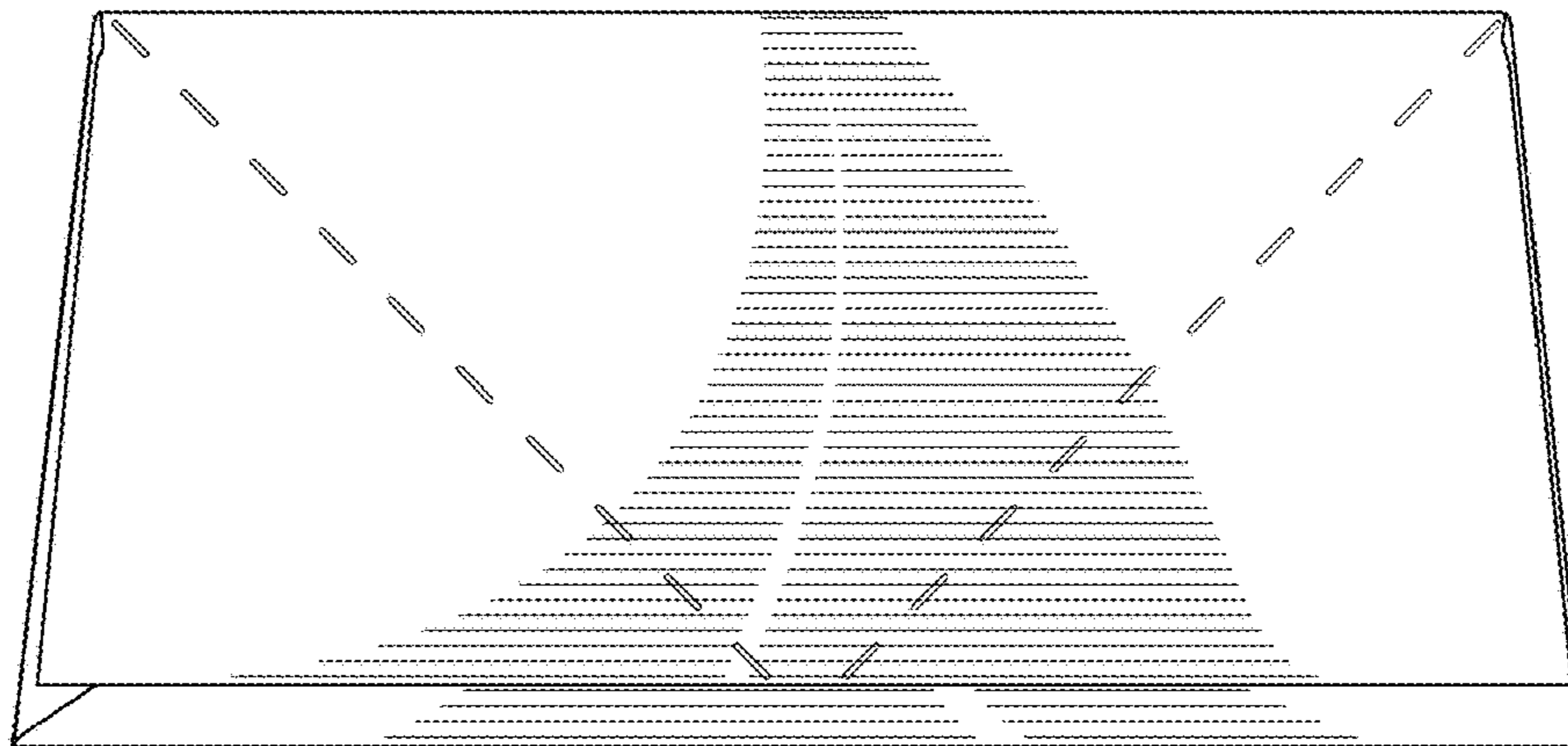


FIG. 3

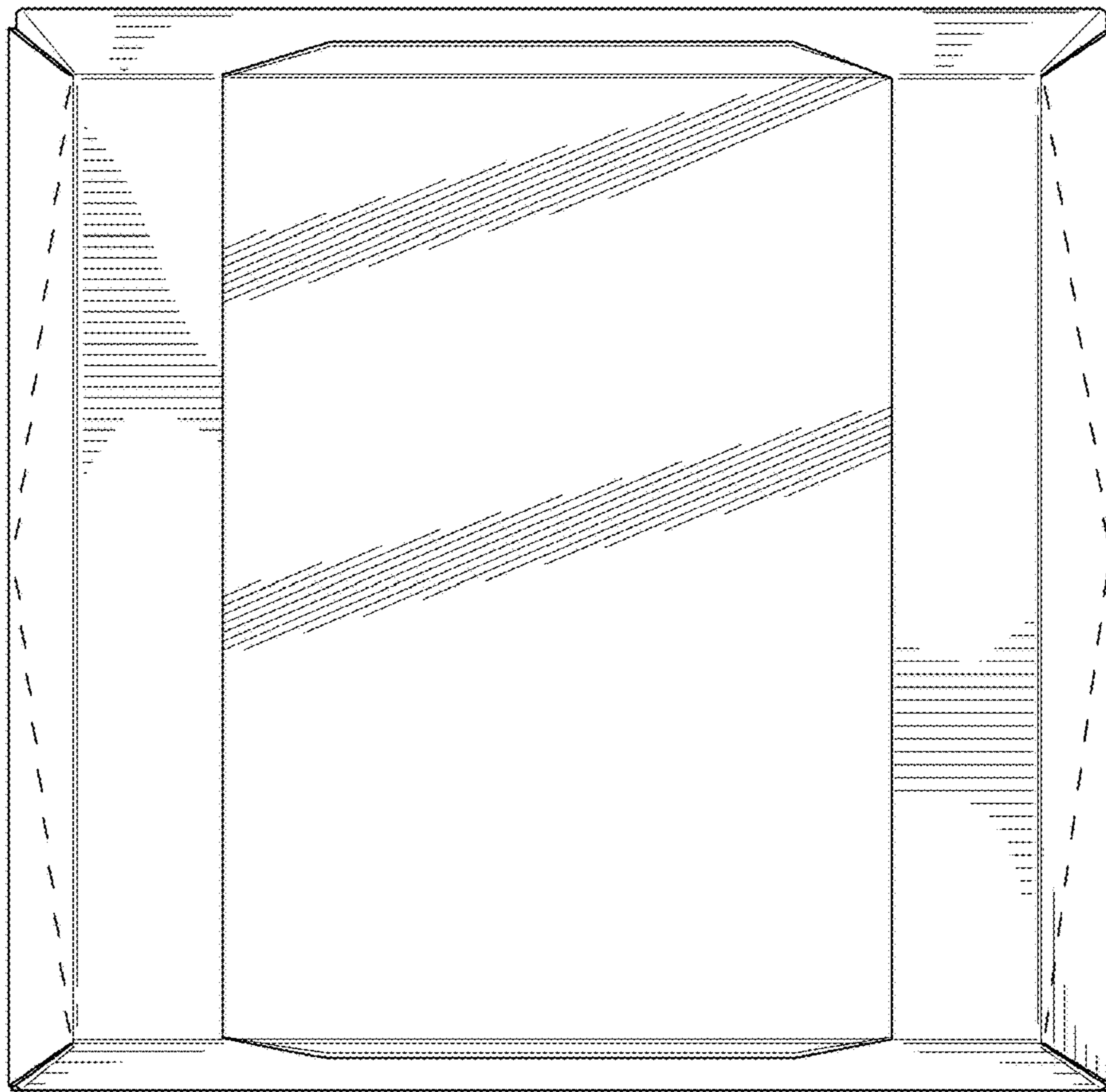


FIG.4

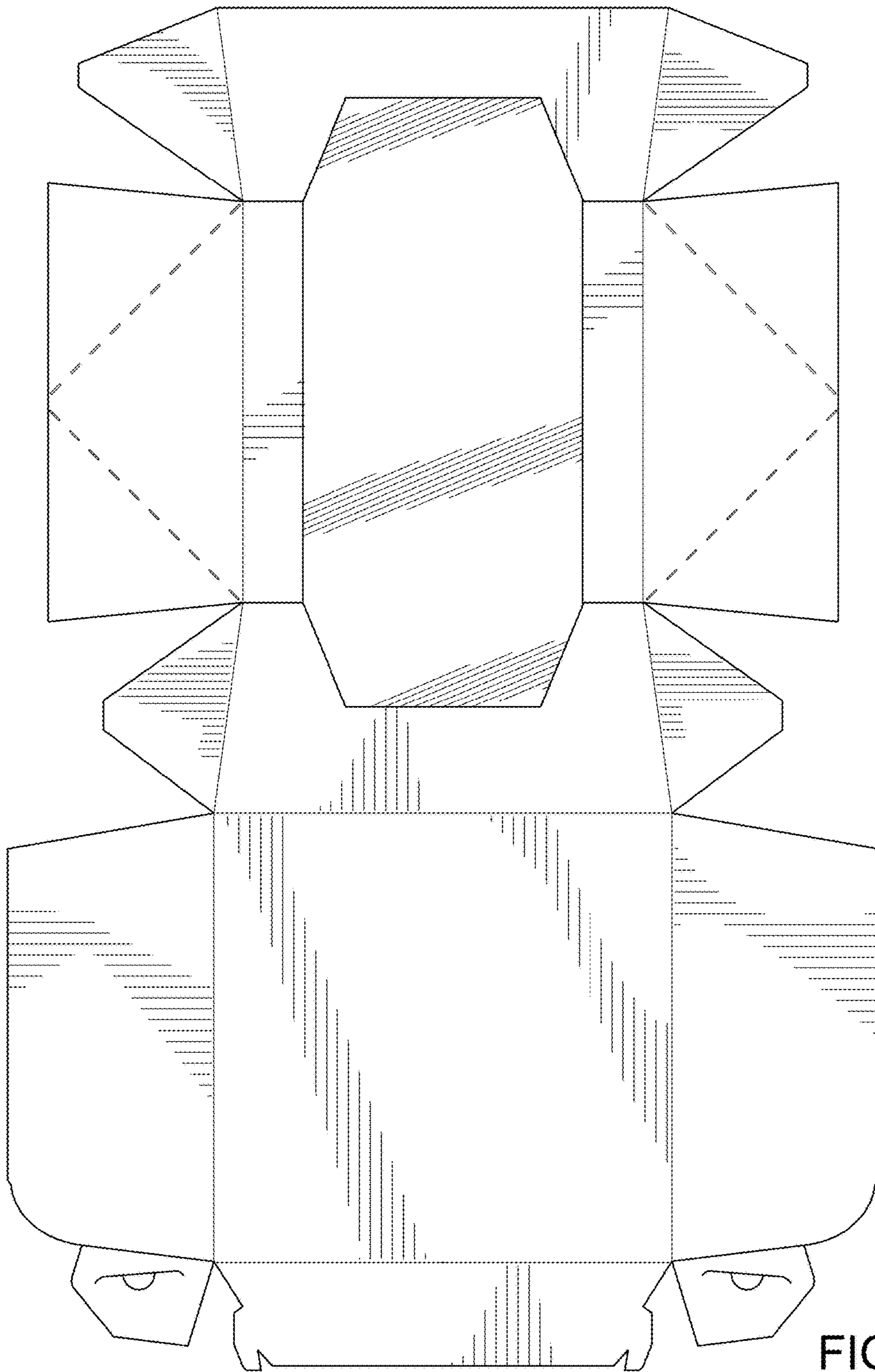


FIG. 5