



US00D846376S

(12) **United States Design Patent**
Hill

(10) **Patent No.:** **US D846,376 S**

(45) **Date of Patent:** **** Apr. 23, 2019**

(54) **CLAMPING TOOL**

(71) Applicant: **Terrance M. Hill**, Spring Hill, FL (US)

(72) Inventor: **Terrance M. Hill**, Spring Hill, FL (US)

(**) Term: **15 Years**

(21) Appl. No.: **29/654,918**

(22) Filed: **Jun. 28, 2018**

(51) **LOC (11) Cl.** **08-08**

(52) **U.S. Cl.**
USPC **D8/394**

(58) **Field of Classification Search**

USPC D8/14, 21, 33, 44, 71, 72, 82, 83, 86,
D8/384, 395; D7/683, 686, 653

CPC B65D 35/28; B65D 35/24; B25C 11/00;
B25B 9/02; B25B 13/56; B25B 23/10;
B25B 23/16

See application file for complete search history.

(56) **References Cited**

U.S. PATENT DOCUMENTS

D103,245 S *	2/1937	McPherson et al.	D8/83
2,788,816 A *	4/1957	Dargols	B25B 13/56 7/165
D220,377 S *	4/1971	Van Dike Benfer et al. ...	D8/14
D239,430 S *	4/1976	Niconchuk et al.	D8/31
4,012,068 A *	3/1977	Apodaca	B25B 9/02 294/33
4,026,521 A *	5/1977	Clark	B25C 11/00 254/28
D258,940 S *	4/1981	Zelinski	D10/46
D275,446 S *	9/1984	McSwain	D8/21
D279,314 S *	6/1985	Ishida	D24/129
D296,361 S *	6/1988	Gerich	D24/143
D313,914 S *	1/1991	Tribbey	D6/541
D314,497 S *	2/1991	Symiczek	D8/14
D327,166 S *	6/1992	Barker	D26/38
5,167,348 A *	12/1992	Okami	B65D 35/28 222/102

D338,124 S *	8/1993	Eatherly	D6/541
D341,050 S *	11/1993	Waffensmith	D6/541
D348,810 S *	7/1994	Johnson	D8/14
D353,293 S *	12/1994	Planchon	D6/541
D356,001 S *	3/1995	Yarmunilert	D6/541
D360,326 S *	7/1995	Fairbanks	D6/541
D403,934 S *	1/1999	Girdler	D8/27
D417,377 S *	12/1999	Blank	D8/72
D442,047 S *	5/2001	Hicks	D8/395
D470,700 S *	2/2003	Lai	D6/541
D473,443 S *	4/2003	Metcalf	D8/107
D506,115 S *	6/2005	King	D8/54
D519,812 S *	5/2006	Weinberg	D8/72
D524,124 S *	7/2006	Tashjian	D7/683
D576,462 S *	9/2008	Panosian	D8/72
D606,860 S *	12/2009	Hill	D9/434

(Continued)

Primary Examiner — John Windmuller

Assistant Examiner — Steven J Czyz

(74) *Attorney, Agent, or Firm* — Paul Murty; Smith & Hopen, P.A.

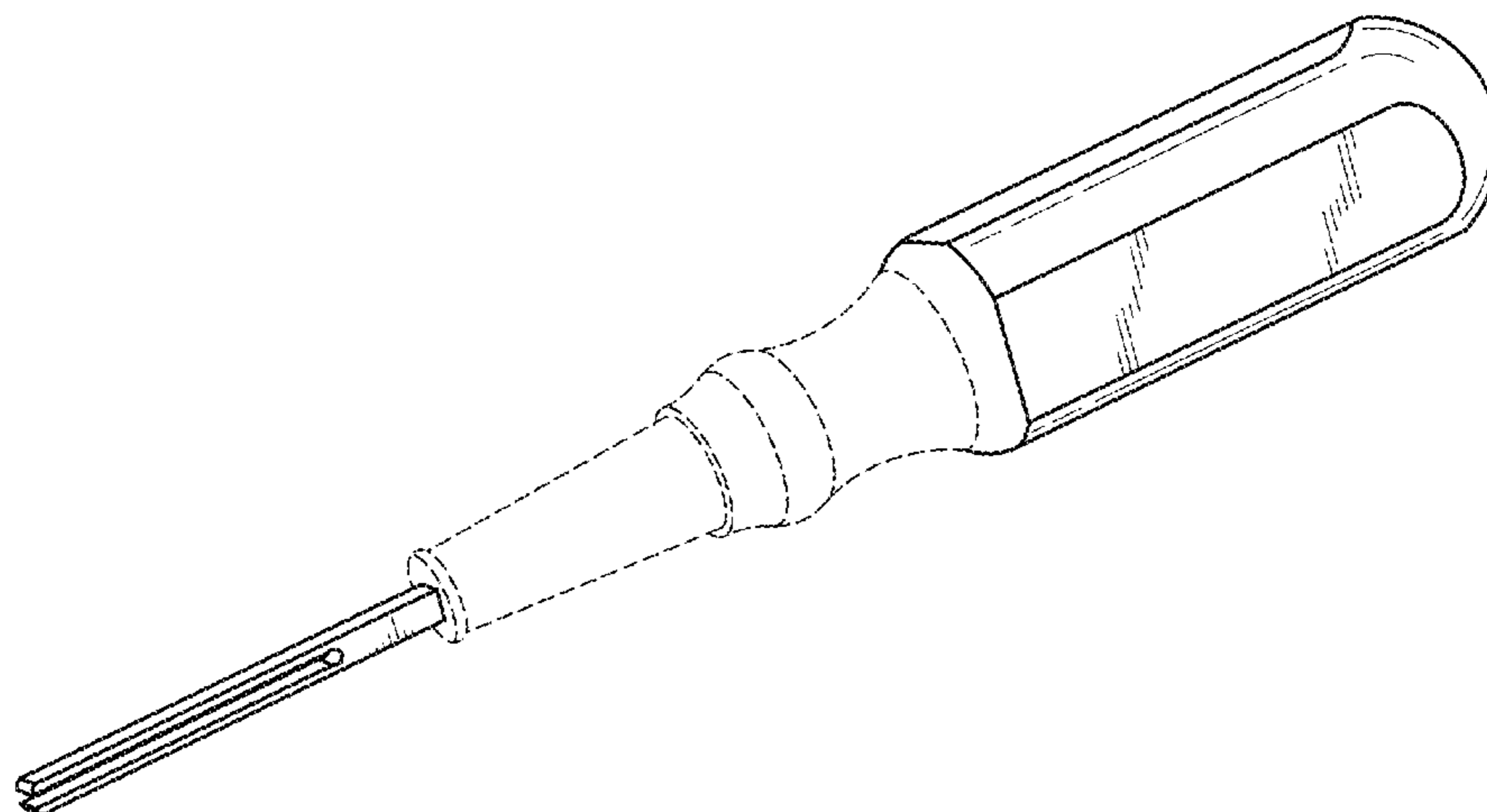
(57) **CLAIM**

The ornamental design for a clamping tool, as shown and described.

DESCRIPTION

FIG. 1 is a perspective view of a clamping tool;
 FIG. 2 is a side elevation thereof.
 FIG. 3 is a side elevation thereof.
 FIG. 4 is a top plan view thereof.
 FIG. 5 is a bottom plan view thereof.
 FIG. 6 is a rear elevation view thereof.
 FIG. 7 is a front elevation view thereof; and,
 FIG. 8 is a top plan view of the clamping tool shown in use with environment.
 The broken lines depict portions of the article and environment that form no part of the claimed design.

1 Claim, 5 Drawing Sheets



(56)

References Cited

U.S. PATENT DOCUMENTS

7,954,870 B2 * 6/2011 Chen B25B 9/02
294/99.2
D641,224 S * 7/2011 Gupta D8/72
D641,615 S * 7/2011 Lin D8/394
D694,608 S * 12/2013 Nelson D8/83
D707,545 S * 6/2014 Schopf D8/394
D708,866 S * 7/2014 Kobayashi D6/541
D723,347 S * 3/2015 Sundheim D8/72
D743,757 S * 11/2015 Combs D8/14
D755,026 S * 5/2016 Kim D8/21
D793,835 S * 8/2017 Cerezo Lotina D8/72
D805,366 S * 12/2017 Gassner D8/72
D813,619 S * 3/2018 Cloutier D7/683

* cited by examiner

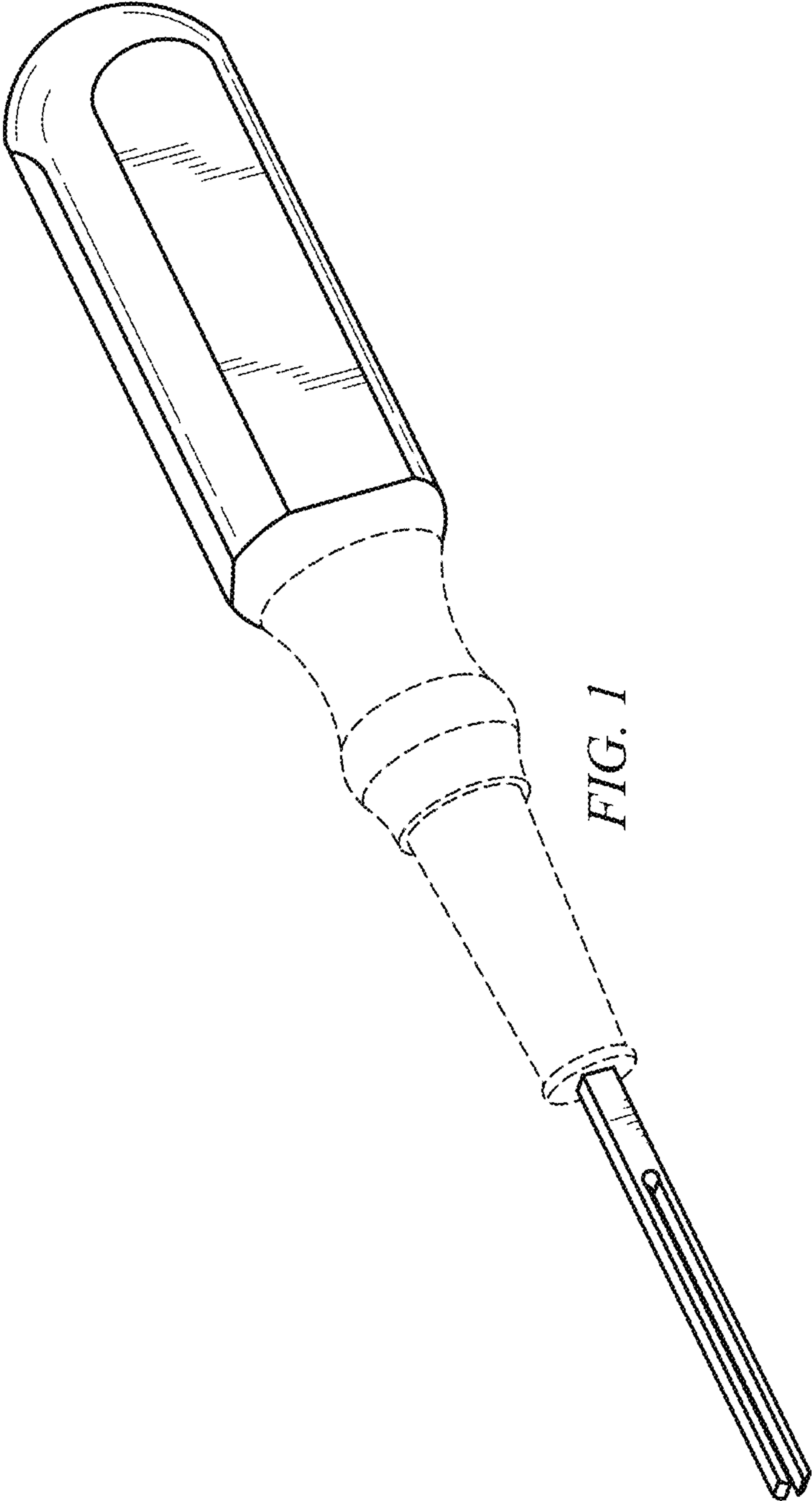


FIG. 1

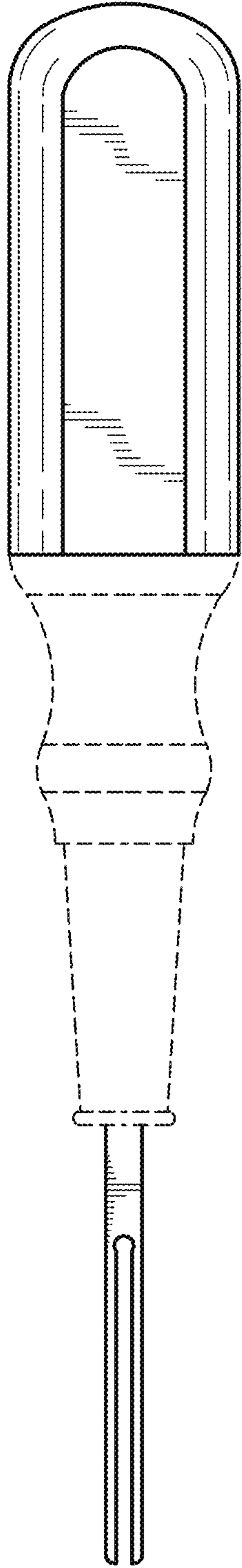


FIG. 2

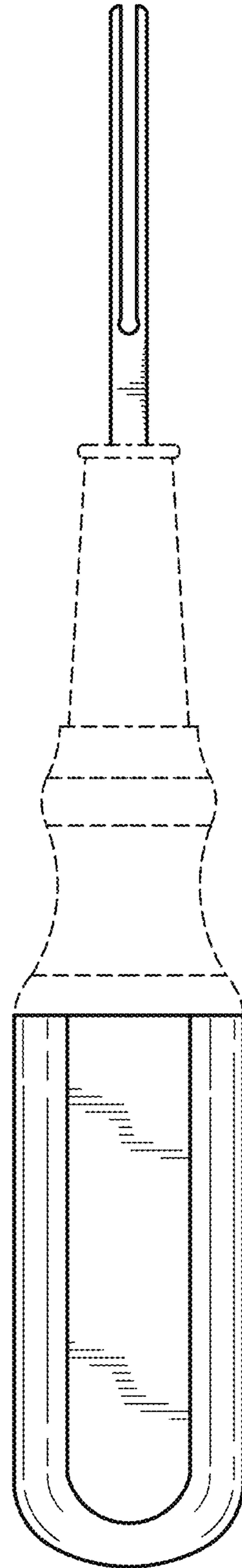


FIG. 3

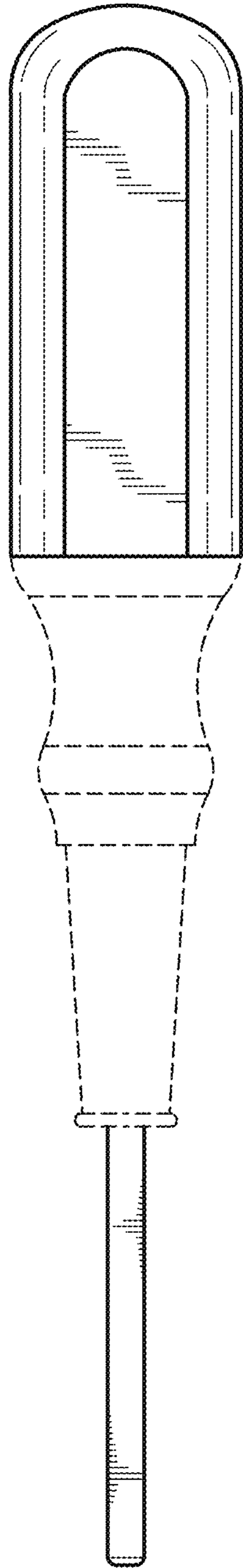


FIG. 4

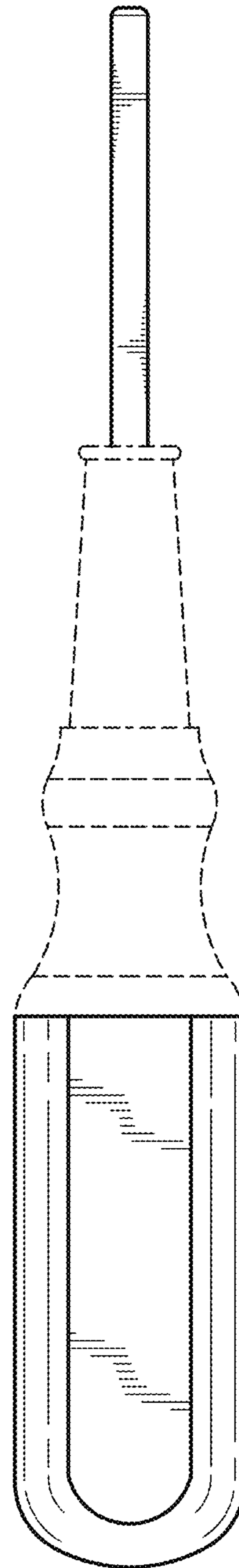


FIG. 5

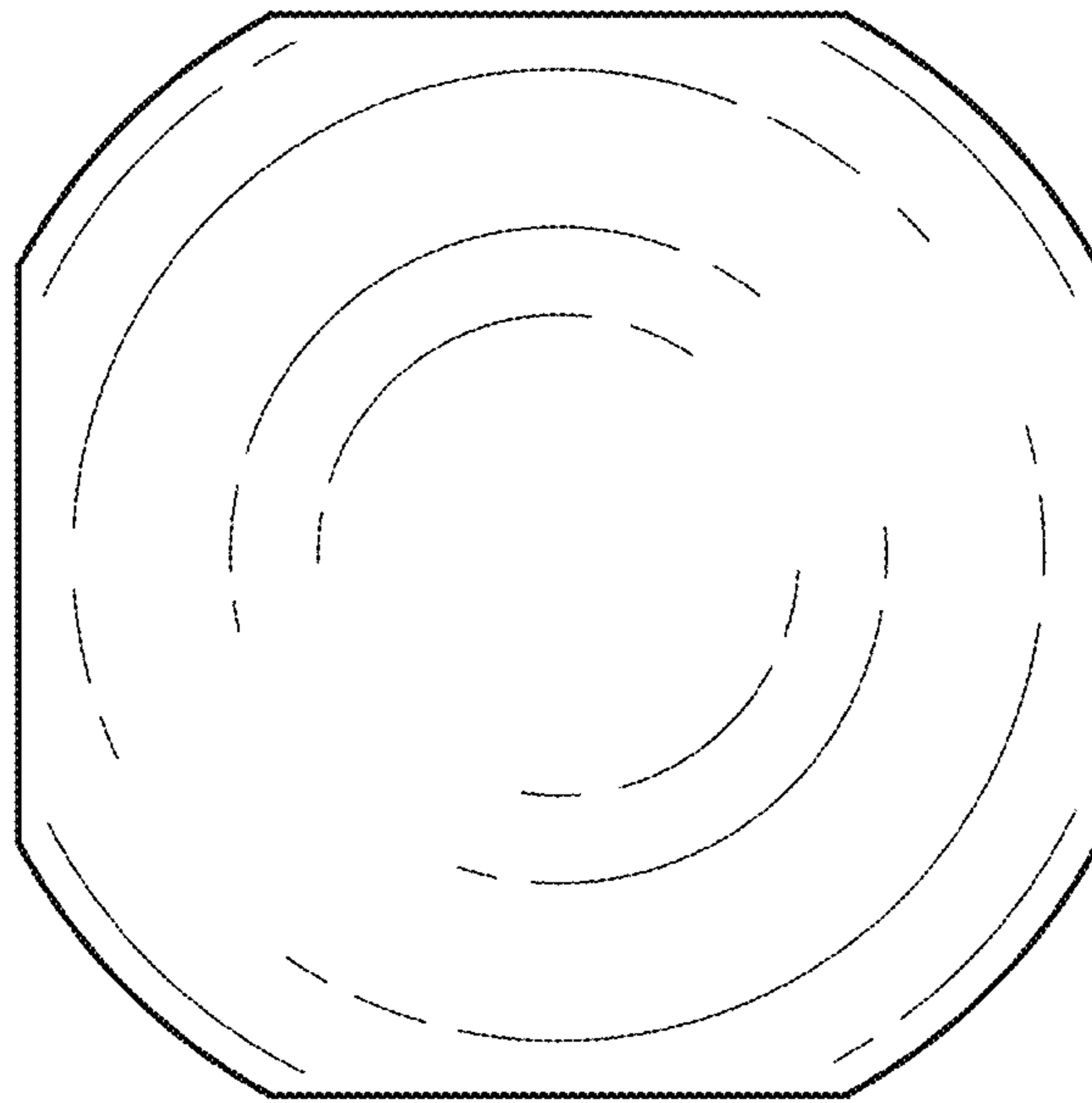


FIG. 6

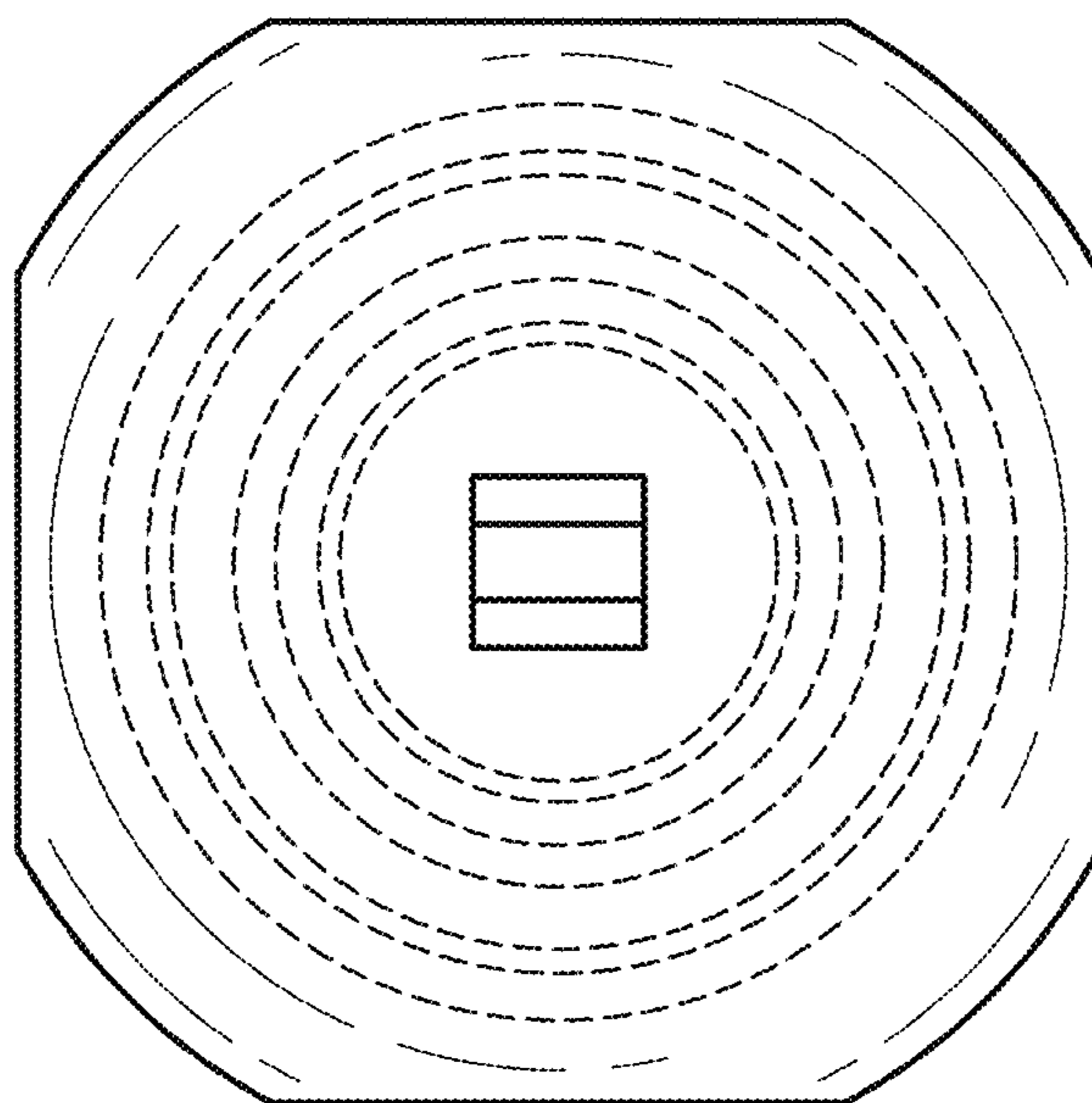


FIG. 7

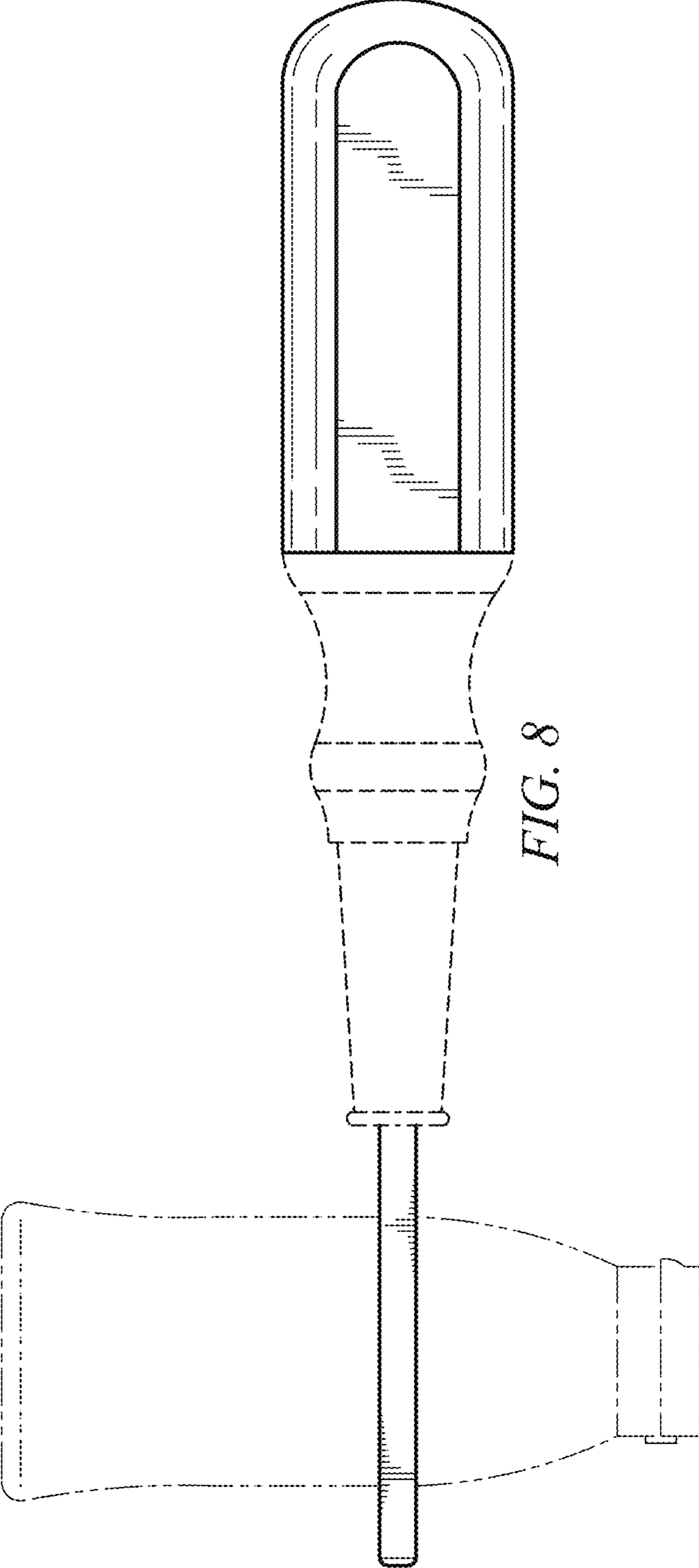


FIG. 8