



US00D846373S

(12) **United States Design Patent**
Längle

(10) **Patent No.:** **US D846,373 S**
(45) **Date of Patent:** **** Apr. 23, 2019**

- (54) **FASTENING CLIP FOR A GLASS WALL**
- (71) Applicant: **LÄNGLEGLAS GMBH, Götzis (AT)**
- (72) Inventor: **Oswin Längle, Götzis (AT)**
- (73) Assignee: **LÄNGLEGLAS GMBH, Götzis (AT)**
- (**) Term: **15 Years**
- (21) Appl. No.: **29/605,176**
- (22) Filed: **May 24, 2017**
- (51) **LOC (11) Cl.** **08-08**
- (52) **U.S. Cl.**
USPC **D8/382**
- (58) **Field of Classification Search**
USPC D25/119, 120, 124, 125; D8/382, 394,
D8/349, 354, 499
CPC E06B 3/54; E06B 3/5436; E06B 3/5454;
E06B 3/02; E06B 3/549; E06B
2003/6258; E04B 2/96; E04B 2/962;
E04B 2/965; E04B 2/967; Y10T 16/35
See application file for complete search history.

- 2006/0284522 A1* 12/2006 Burke A47F 3/12
312/116
- 2007/0011974 A1* 1/2007 Ebert E04B 2/967
52/506.01
- 2008/0229547 A1* 9/2008 Michel B64D 11/0023
16/87 R
- 2010/0205880 A1* 8/2010 Lin E06B 3/72
52/207
- 2010/0281812 A1* 11/2010 Haab E06B 3/5454
52/656.5
- 2011/0225925 A1* 9/2011 Sprague E04F 11/1851
52/745.05
- 2011/0239560 A1* 10/2011 Landeros E06B 3/305
52/204.61
- 2012/0272605 A1* 11/2012 Huang E04B 2/96
52/483.1

(Continued)

Primary Examiner — Sandra S Snapp
Assistant Examiner — Ieisha N Price
(74) *Attorney, Agent, or Firm* — Epstein Drangel LLP;
Robert L. Epstein

(57) **CLAIM**

The ornamental design for a fastening clip for a glass wall,
as shown and described.

(56) **References Cited**

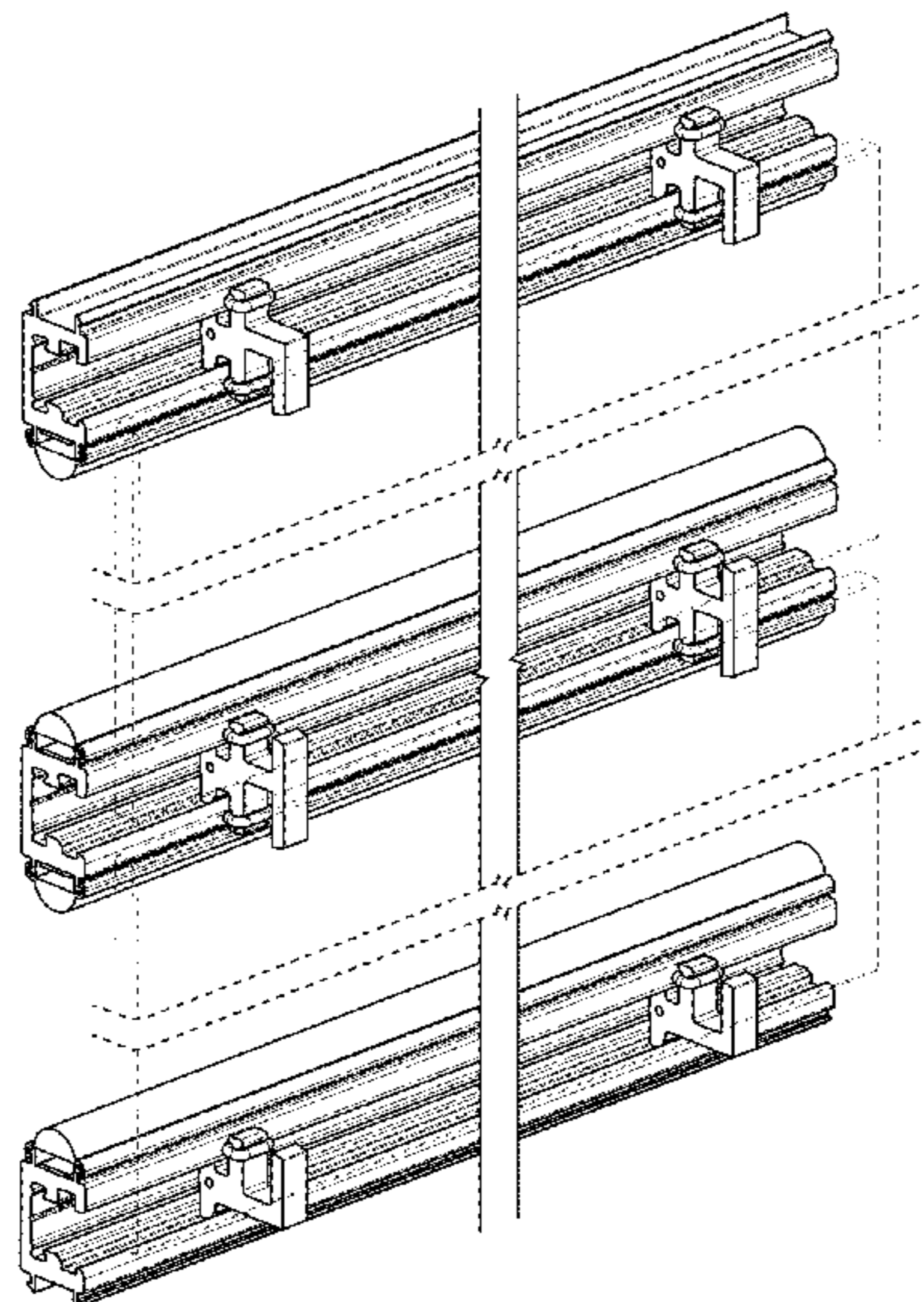
U.S. PATENT DOCUMENTS

- D269,910 S * 7/1983 Johansson D25/124
- D305,368 S * 1/1990 Clark D25/124
- 5,069,010 A * 12/1991 Trainor, Jr. E04B 2/825
52/127.8
- D443,198 S * 6/2001 Snyder D25/164
- 6,546,675 B1 * 4/2003 Adderton E04B 2/7435
160/135
- D520,862 S * 5/2006 Munson D8/354
- D560,002 S * 1/2008 Bergmann D25/124
- D592,487 S * 5/2009 Tedesco D8/349
- 8,347,569 B1 * 1/2013 McIntyre E04F 13/0814
52/235
- 9,303,444 B1 * 4/2016 Choi E06B 3/549
- D788,325 S * 5/2017 Laurence D25/57
- 9,896,879 B2 * 2/2018 Melkonian E06B 3/24

DESCRIPTION

FIG. 1 is a front, top and left side perspective view of the
fastening clip for a glass wall showing my new design;
FIG. 2 is a front elevation view thereof;
FIG. 3 is a rear elevation view thereof;
FIG. 4 is a left side elevation view thereof;
FIG. 5 is a right side elevation view thereof;
FIG. 6 is a top plan view thereof; and,
FIG. 7 is a bottom plan view thereof.
The fastening clip for a glass wall is shown with a symbolic
break in its length. The appearance of any portion of the
article between the break lines forms no part of the claimed
design.

1 Claim, 2 Drawing Sheets



(56)

References Cited

U.S. PATENT DOCUMENTS

2013/0192148 A1* 8/2013 Milligan E04F 21/1877
52/126.4

* cited by examiner

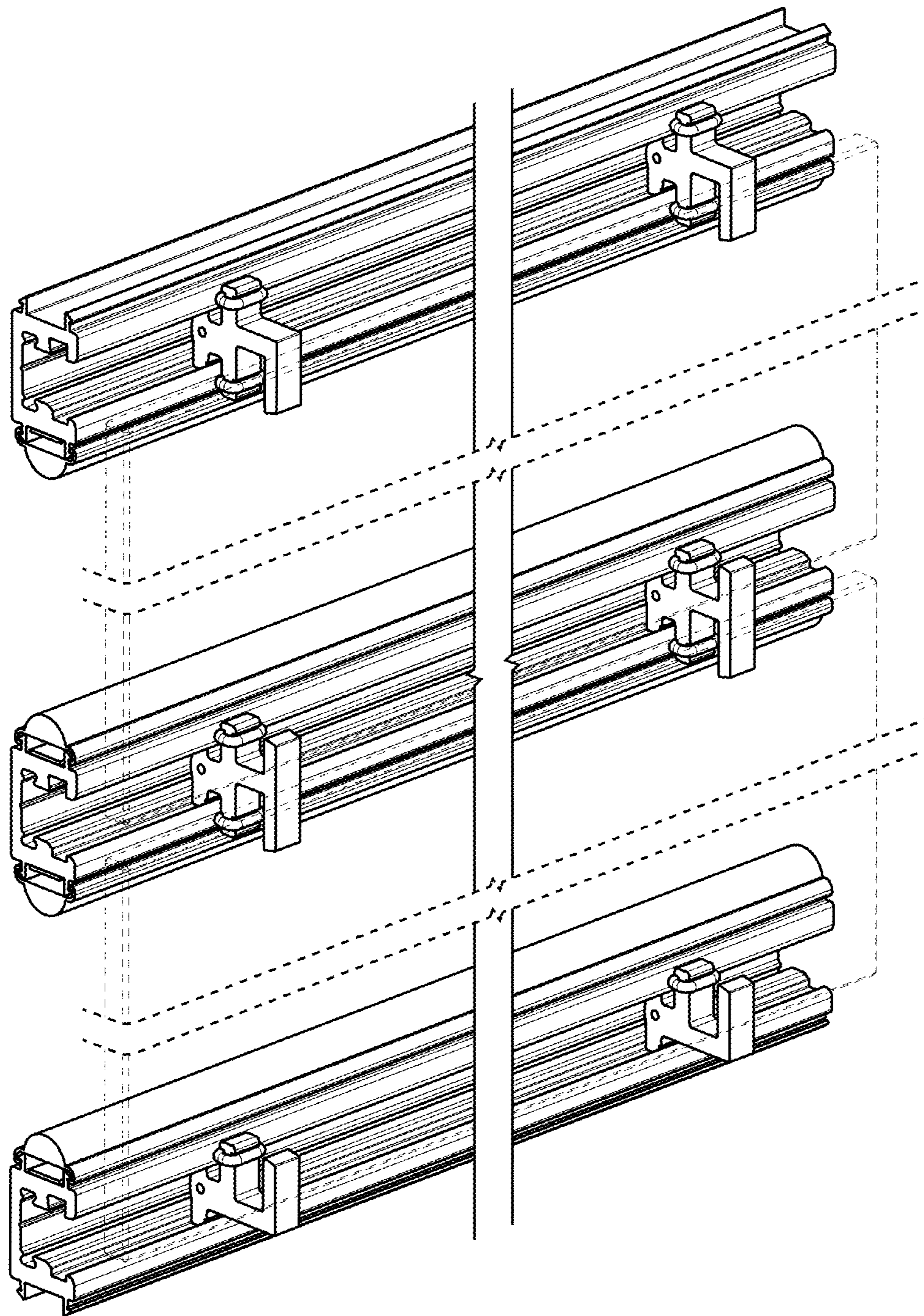


FIG. 1

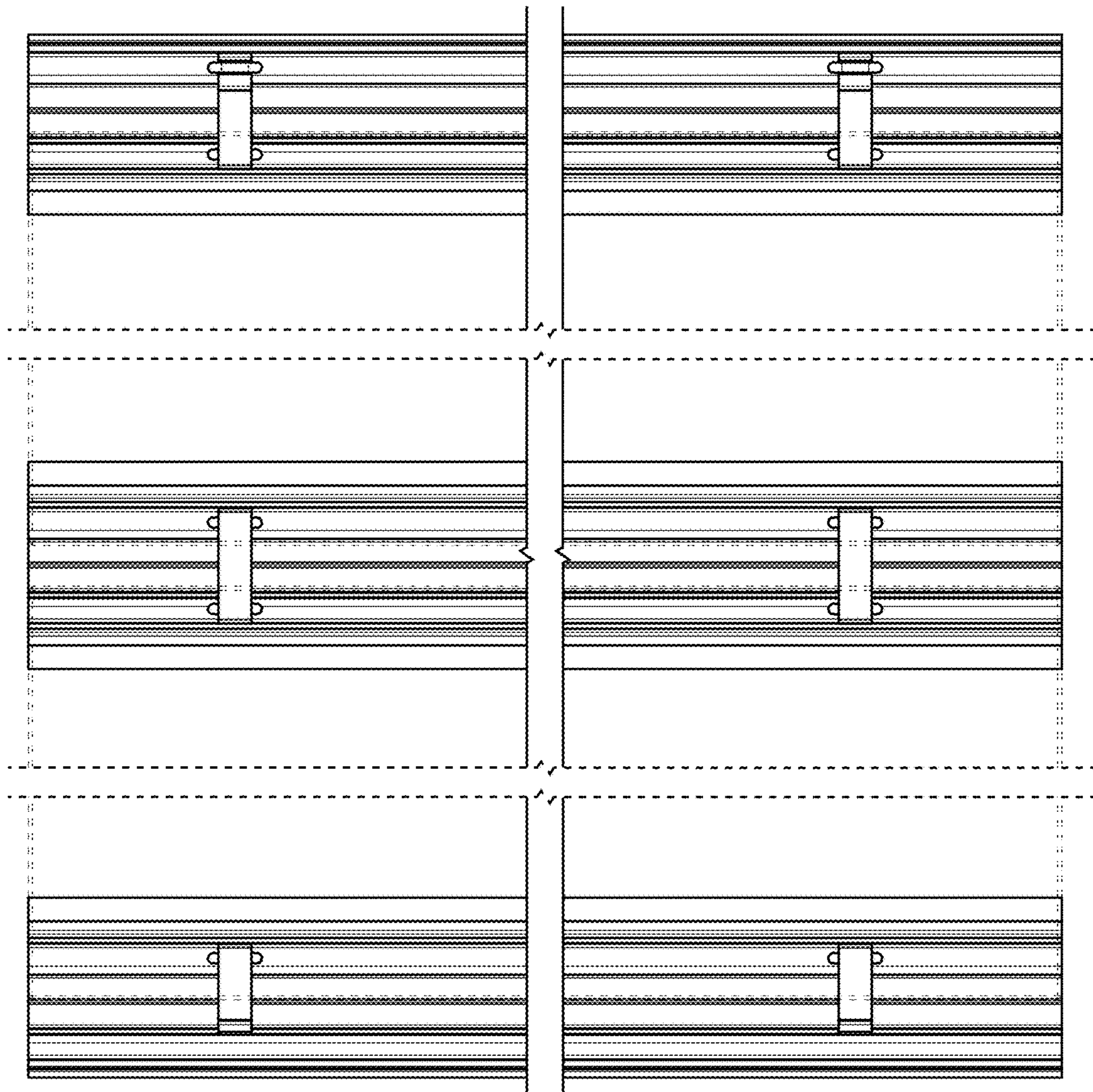


FIG. 2