



US00D846372S

(12) **United States Design Patent** (10) **Patent No.:** **US D846,372 S**  
**Wu** (45) **Date of Patent:** **\*\* Apr. 23, 2019**

(54) **BELT FASTENER**

(71) Applicant: **Race Wu**, Taichung (TW)

(72) Inventor: **Race Wu**, Taichung (TW)

(\*\*) Term: **15 Years**

(21) Appl. No.: **29/608,817**

(22) Filed: **Jun. 26, 2017**

(51) **LOC (11) Cl.** ..... **08-05**

(52) **U.S. Cl.**  
USPC ..... **D8/373**

(58) **Field of Classification Search**  
USPC ..... D08/373, 358, 359, 354, 71, 330, 336,  
D08/351, 356, 360.1, 363, 364, 367, 370,  
D08/372, 379, 381, 382, 395, 396;  
D06/349, 352; D09/426, 502, 750;  
D10/72, 73, 89; D11/79, 93; D13/103,  
D13/107; D19/67; D21/673, 674, 675,  
D21/839, 840; D25/19, 62, 68, 69;  
D26/40, 49; D29/122, 124; D30/153,  
D30/155

CPC ..... B65H 75/40; B65H 75/4407;  
B65H 75/4471; B65H 2701/34; B65H  
2701/32; B65H 2511/142; B65H 29/008;  
B65H 2701/33; B65H 54/585; B65H  
51/22; B65H 75/08; B65H 75/02; B65H  
2301/41485; B65H 75/4468; B65H  
2301/414323; B65H 2301/414325; B65H  
16/02; B65H 2301/4131; B65H 75/403;  
B65H 75/441; B65D 85/66; B65D 85/67;  
B66D 3/006; B66D 3/18; B66D 3/26;  
B66D 3/02; B66D 3/14; B63B 21/18;  
B63B 21/26; B65B 57/005; A61G  
7/1051; A61G 7/1061; B66B 11/08;  
A62C 33/04; B08B 2203/0276; B21C  
47/28; H02G 11/02; A01K 89/003; H04M  
1/15; A01D 34/822; A47L 9/26; H04R  
1/1033; Y10S 24/909; E05C 19/10; E05C  
17/50; E05C 3/045; E05C 3/30; E05C  
19/02; E05C 19/026; A47G 25/0614;  
A47G 25/18; A47G 25/32; A47G 7/047;

A47G 7/045; A47G 7/042; A47G 7/044;  
F16B 12/44; F16B 12/46; F16B 5/0614;  
F16B 12/02; E04B 1/2612; E04B  
2001/2415; E04B 1/5818; E04B 1/5831;  
A47B

(Continued)

(56) **References Cited**

U.S. PATENT DOCUMENTS

D213,836 S \* 4/1969 Brierley ..... D30/155  
D250,423 S \* 11/1978 Viets ..... D30/155

(Continued)

OTHER PUBLICATIONS

Ultra Duty Belt w/o Hook & Loop, Nylon UM87721, posted as early as 2015, [retrieved Jan. 7, 2019]. Retrieved from Internet, <URL: <http://www.weapons-universe.com/Brands/Uncle-Mikes/Ultra-Duty-Belt-Hook-Loop-Nylon-UM87721.shtml> >.\*

*Primary Examiner* — Barbara Fox

*Assistant Examiner* — Kristin E Reed

(74) *Attorney, Agent, or Firm* — Muncy, Geissler, Olds & Lowe, P.C.

(57) **CLAIM**

The ornamental design for a belt fastener, as shown and described.

**DESCRIPTION**

FIG. 1 is a perspective view of a belt fastener of the present design;

FIG. 2 is a front view thereof;

FIG. 3 is a rear view thereof;

FIG. 4 is a left view thereof;

FIG. 5 is a right view thereof;

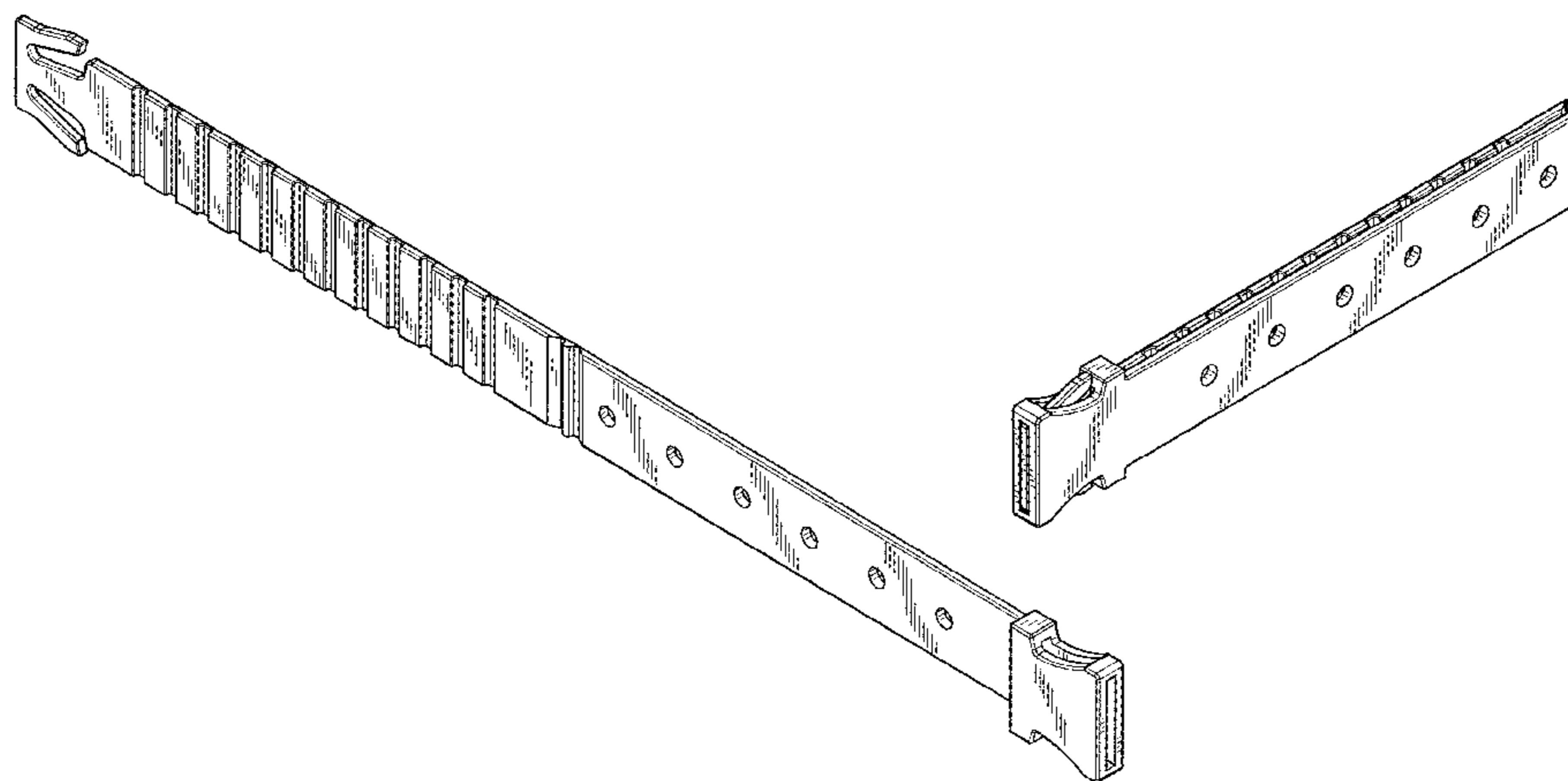
FIG. 6 is a top view thereof;

FIG. 7 is a bottom view thereof;

FIG. 8 is another perspective view thereof; and,

FIG. 9 shows the belt fastener in use, in a folded matter.

**1 Claim, 5 Drawing Sheets**



(58) **Field of Classification Search**

CPC ..... 88/0055; E04F 11/1812; F16L 1/0246;  
A01G 9/024; A01G 25/14; A01G 27/001;  
A01G 9/042; A01G 27/005; A01G  
31/001; A01G 9/02; A01G 9/083; A01G  
9/12

See application file for complete search history.

(56) **References Cited**

U.S. PATENT DOCUMENTS

4,728,064 A \* 3/1988 Caveney ..... B65D 63/1081  
24/16 PB  
D307,384 S \* 4/1990 Phillips ..... 182/206  
D342,012 S \* 12/1993 Doyle ..... D8/356  
D424,417 S \* 5/2000 Axelsson ..... D8/394  
D513,973 S \* 1/2006 Cheung ..... D8/394  
7,849,568 B2 \* 12/2010 Wilkinson ..... B65H 75/366  
24/298  
D799,125 S \* 10/2017 Bolinger ..... D30/155  
9,874,236 B1 \* 1/2018 Tien ..... F16B 2/08  
D832,460 S \* 10/2018 Tien ..... D25/68  
2002/0060275 A1 \* 5/2002 Polad ..... F16L 3/137  
248/74.3  
2013/0333167 A1 \* 12/2013 Wu ..... F16B 2/10  
24/517

\* cited by examiner

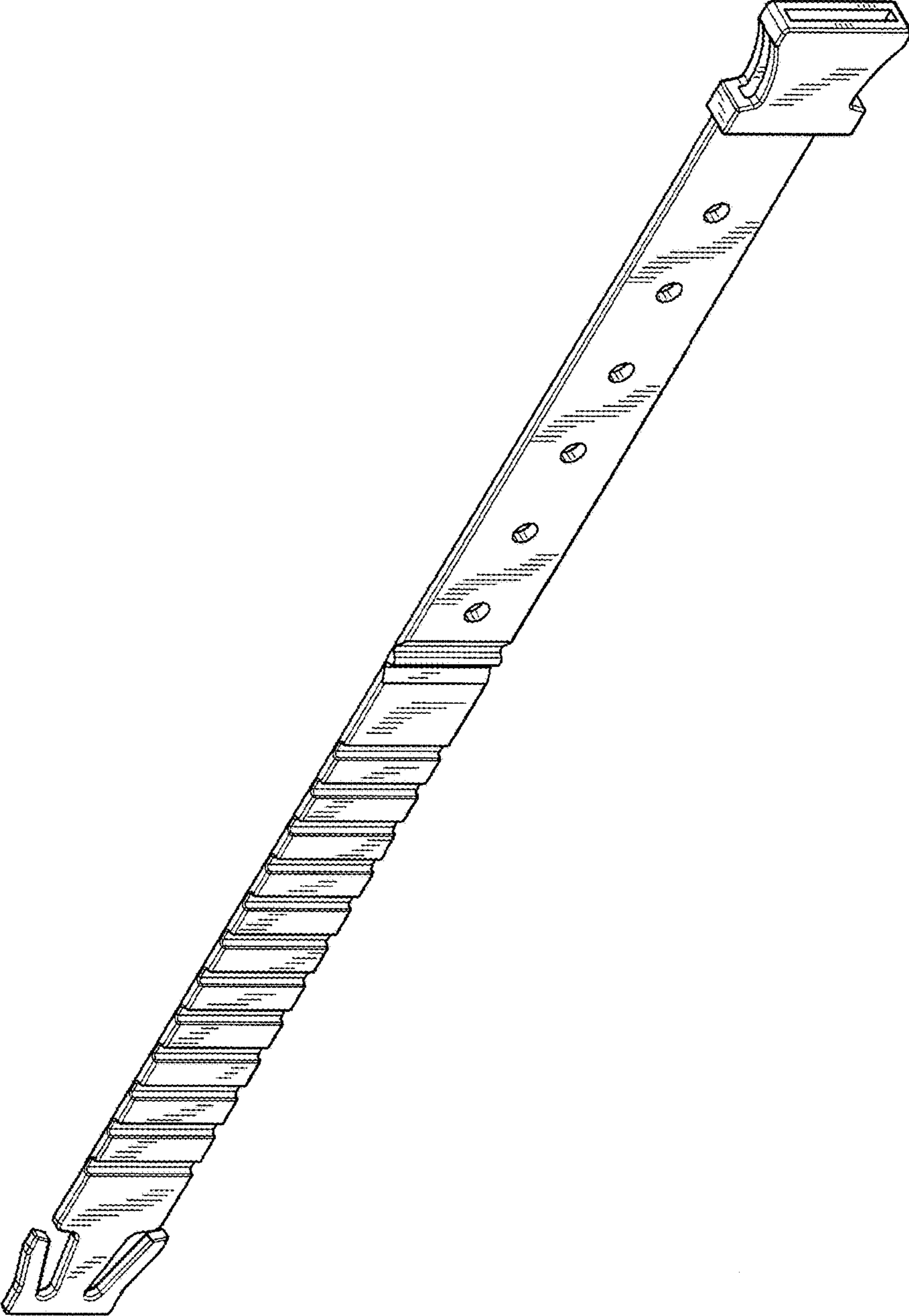


FIG. 1

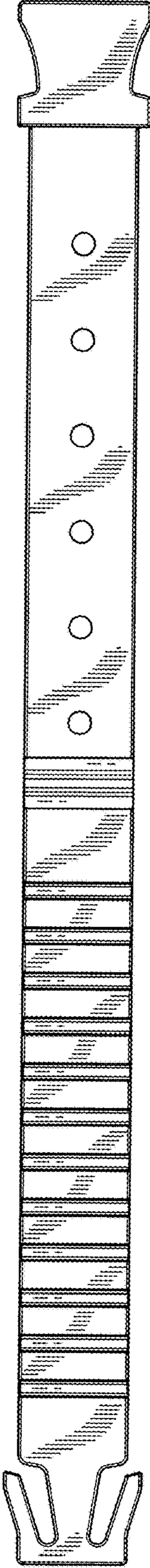


FIG. 2

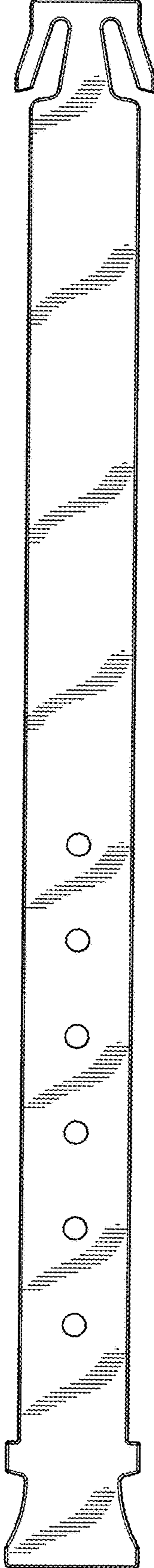


FIG. 3

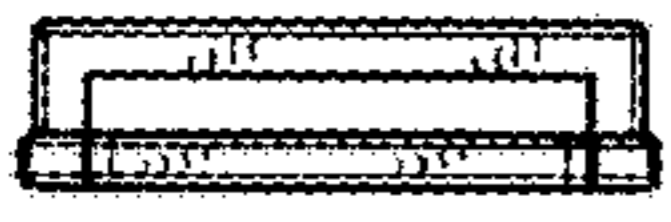


FIG. 4

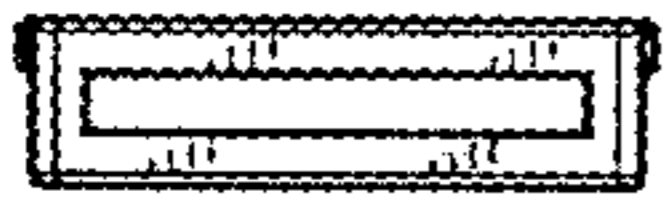


FIG. 5

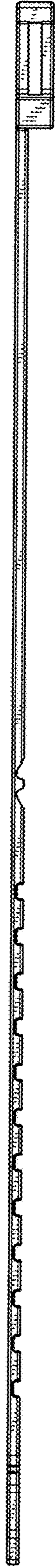


FIG. 6



FIG. 7

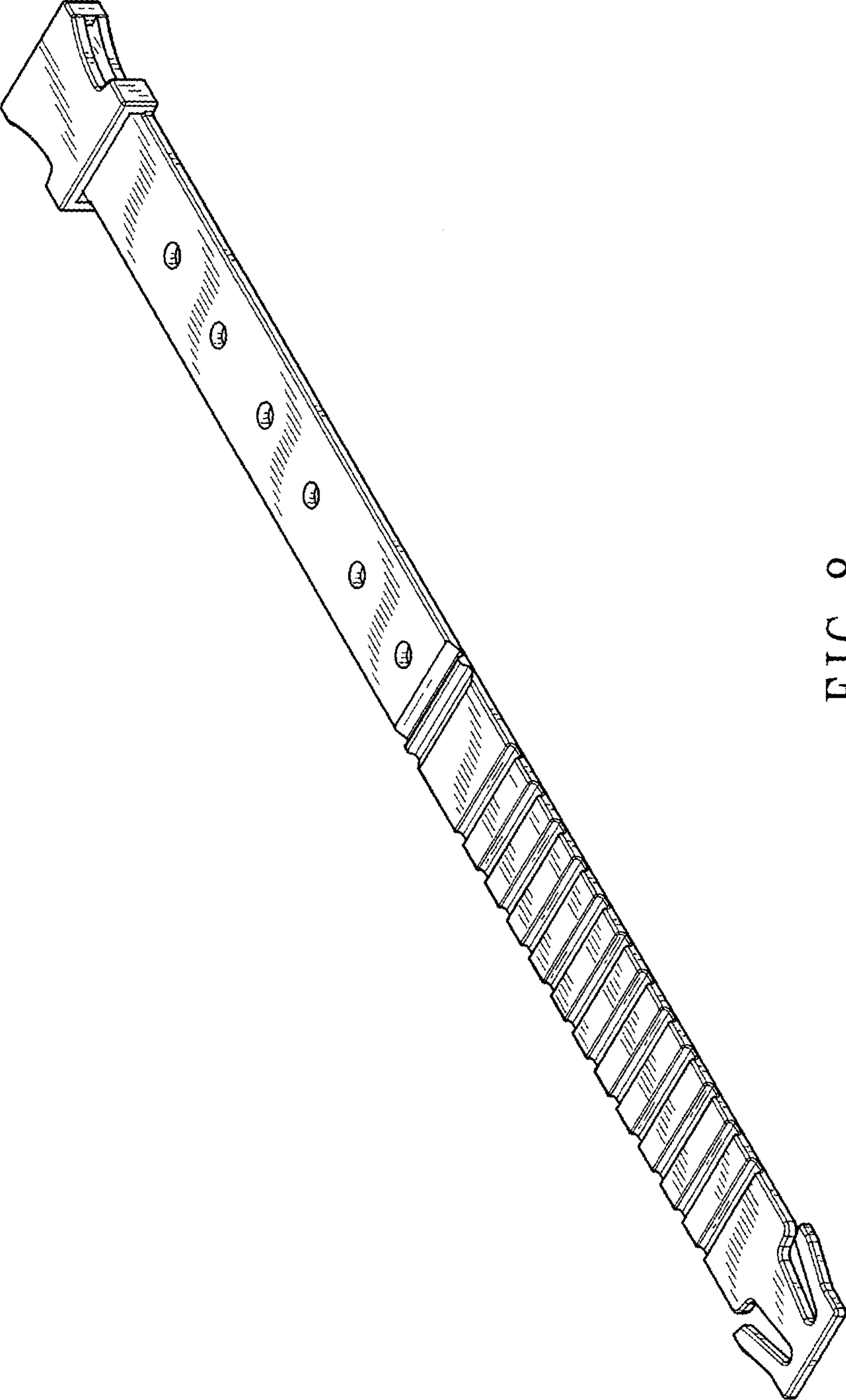


FIG. 8

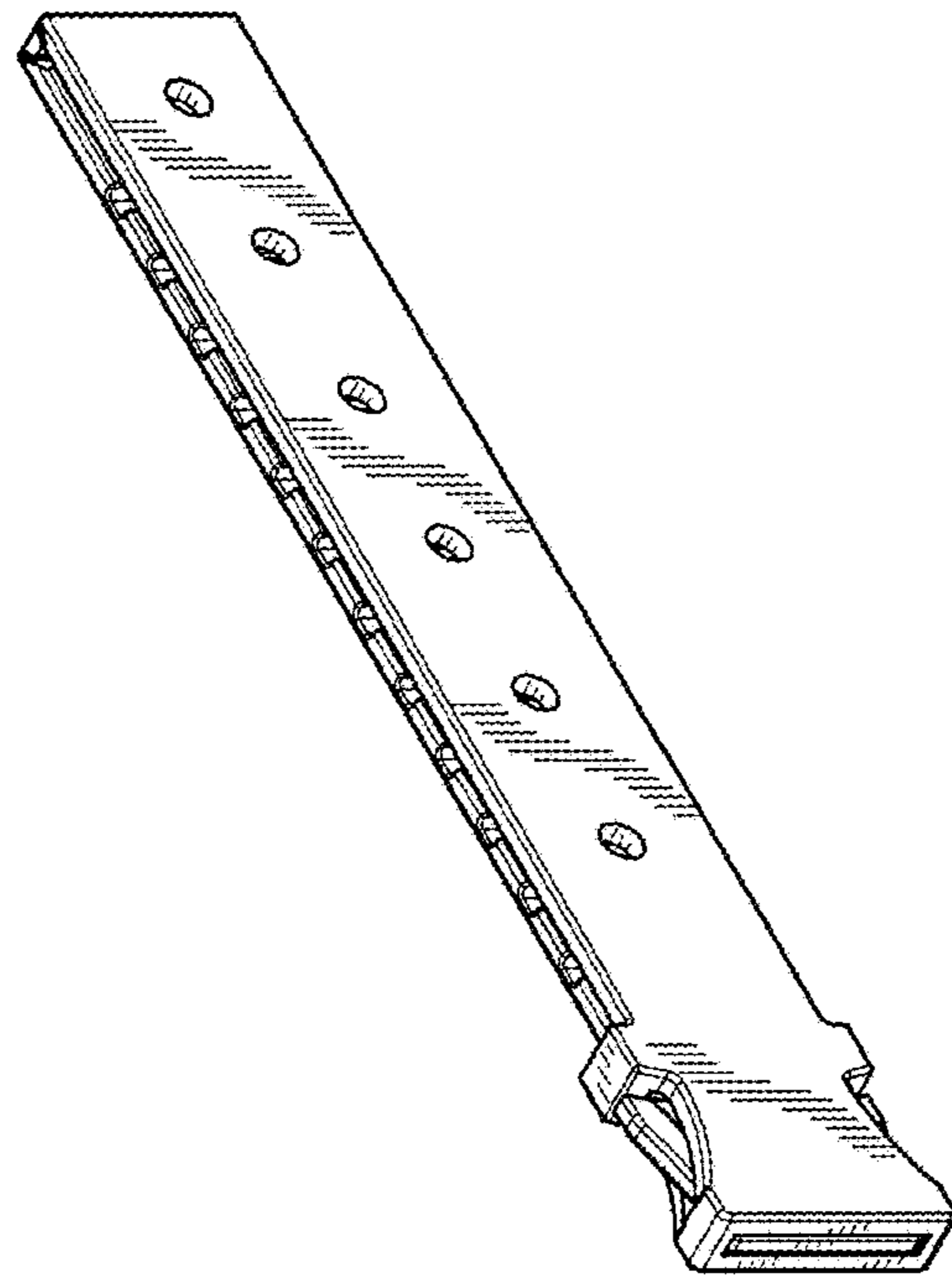


FIG. 9