



US00D846370S

(12) **United States Design Patent** (10) **Patent No.:** **US D846,370 S**  
**Ni** (45) **Date of Patent:** **\*\* Apr. 23, 2019**

(54) **MOUNT ADAPTER FOR MONITOR**  
(71) Applicant: **Ximing Ni**, Fremont, CA (US)  
(72) Inventor: **Ximing Ni**, Fremont, CA (US)  
(\*\*) Term: **15 Years**  
(21) Appl. No.: **29/638,799**  
(22) Filed: **Mar. 1, 2018**  
(51) **LOC (11) Cl.** ..... **08-05**  
(52) **U.S. Cl.**  
USPC ..... **D8/354**; D14/238  
(58) **Field of Classification Search**  
USPC ..... D14/371-382, 125-129, 336, 337,  
D14/447-452, 492, 335, 239, 457,  
D14/439-441, 432, 251-253; D8/349,  
D8/354, 363, 373, 376, 380; D21/333;  
D12/415; D3/10, 218; 348/180, 184,  
348/325, 739, 825; 248/323, 278.1, 286.1  
CPC ..... G06F 3/0412; G06F 3/016; G06F 3/0488;  
G06F 3/011; G06F 3/038; G06F 3/03543;  
G06F 3/0338; G06F 3/0202; G06F  
3/0219; G06F 3/0213; G06F 1/1616;  
G06F 3/023; G06F 3/04883; G02F  
1/13338; G02F 1/1313; G02F 1/1333;  
G02F 1/135; G02F 1/132; G02F  
1/133308; G02F 1/134309; G02F  
1/13718; G09G 3/3648; G06K 15/1252;  
B41J 2/465; G03F 7/70291; G02B  
27/0172; G02B 5/30; G02B 2027/0118;  
G02B 27/0101; F16M 13/02; F16M  
13/00; F16M 11/10; F16M 11/04; F16M  
2200/08; F16M 11/2021; A47B 21/0314;  
A47B 88/044; A47B 2021/0335; H02G  
3/126; F16B 47/00; F16B 47/006; A47G  
1/17; A47K 2201/00

See application file for complete search history.

(56) <b>References Cited</b>	
U.S. PATENT DOCUMENTS	
4,192,118 A *	3/1980 Gilb ..... E04B 1/0007 52/714
4,665,672 A *	5/1987 Commins ..... E04B 1/0007 403/190
5,810,303 A *	9/1998 Bourassa ..... H02G 3/126 174/58
7,544,889 B1 *	6/2009 Sanchez ..... H02G 3/126 174/53
D692,013 S *	10/2013 Crysell ..... D14/447
D750,603 S *	3/2016 Venghaus ..... D14/238
D822,453 S *	7/2018 Kanter ..... D8/354
D822,454 S *	7/2018 Kanter ..... D8/354
D822,650 S *	7/2018 Kanter ..... D14/238
D823,094 S *	7/2018 Kanter ..... D8/354
D829,531 S *	10/2018 Kanter ..... D8/354
D829,533 S *	10/2018 Kanter ..... D8/354
D833,851 S *	11/2018 Kanter ..... D8/354

\* cited by examiner

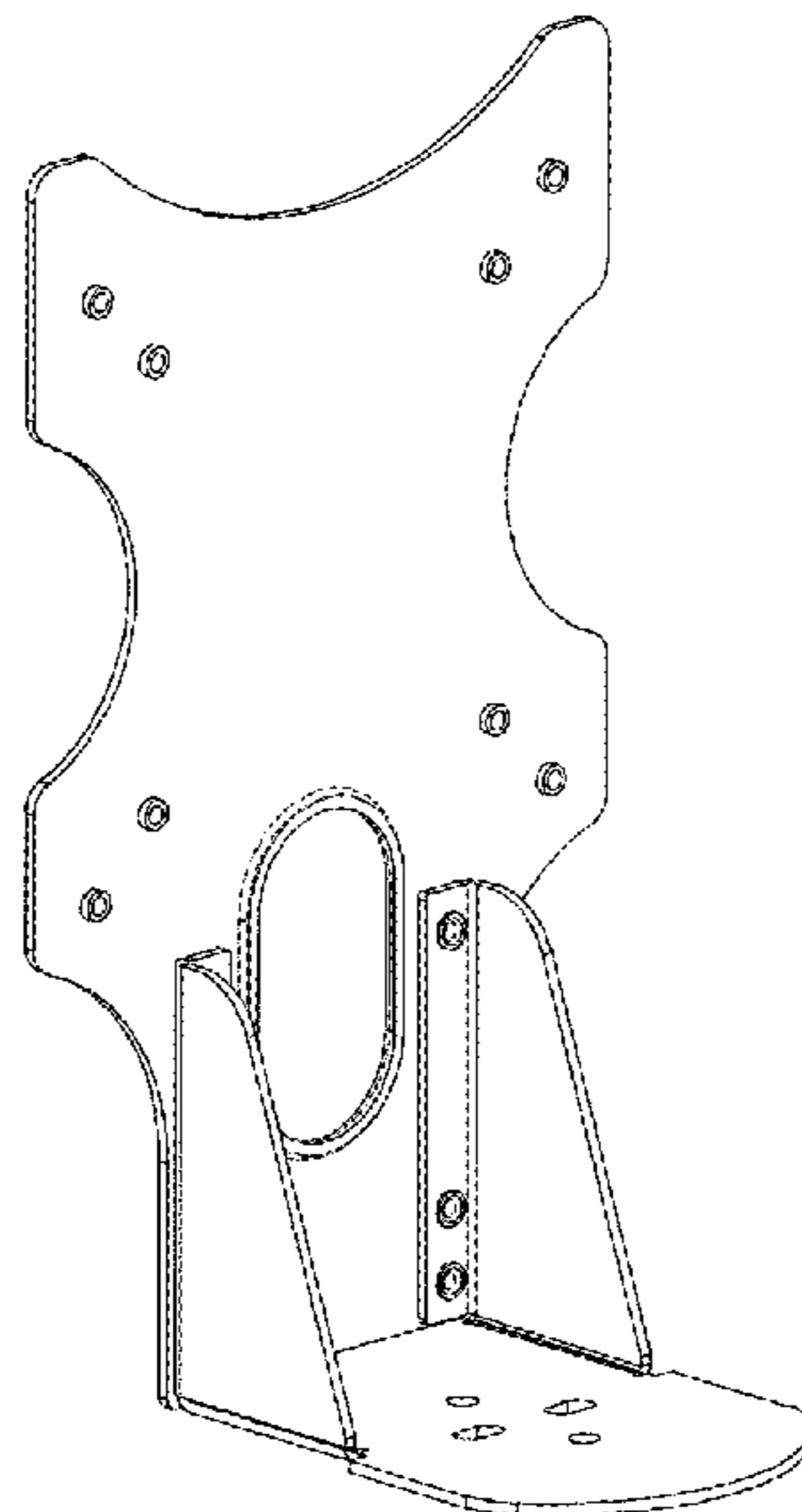
*Primary Examiner* — Katie Jane Stofko  
(74) *Attorney, Agent, or Firm* — Leon E. Jew; Dahyee Law Group

(57) **CLAIM**  
The ornamental design of a mount adapter for monitor, as shown and described.

**DESCRIPTION**

FIG. 1 is a first perspective view of a mount adapter for monitor shown as a new design;  
FIG. 2 is a second perspective view thereof;  
FIG. 3 is a third perspective view thereof;  
FIG. 4 is a front view thereof;  
FIG. 5 is a rear view thereof;  
FIG. 6 is a top view thereof;  
FIG. 7 is a bottom view thereof;  
FIG. 8 is a left side thereof; and,  
FIG. 9 is a right side view thereof.

**1 Claim, 4 Drawing Sheets**



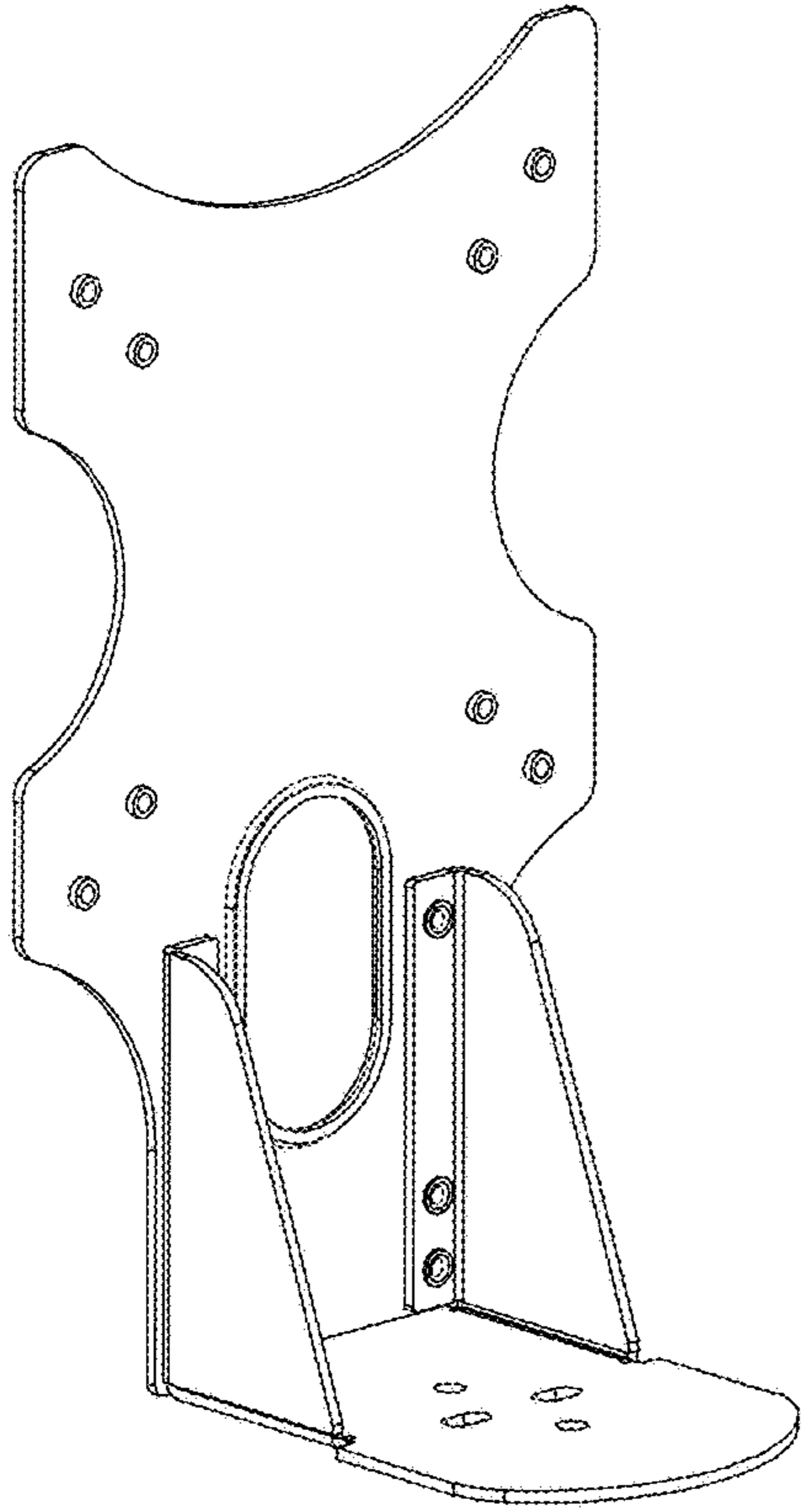


Fig. 1

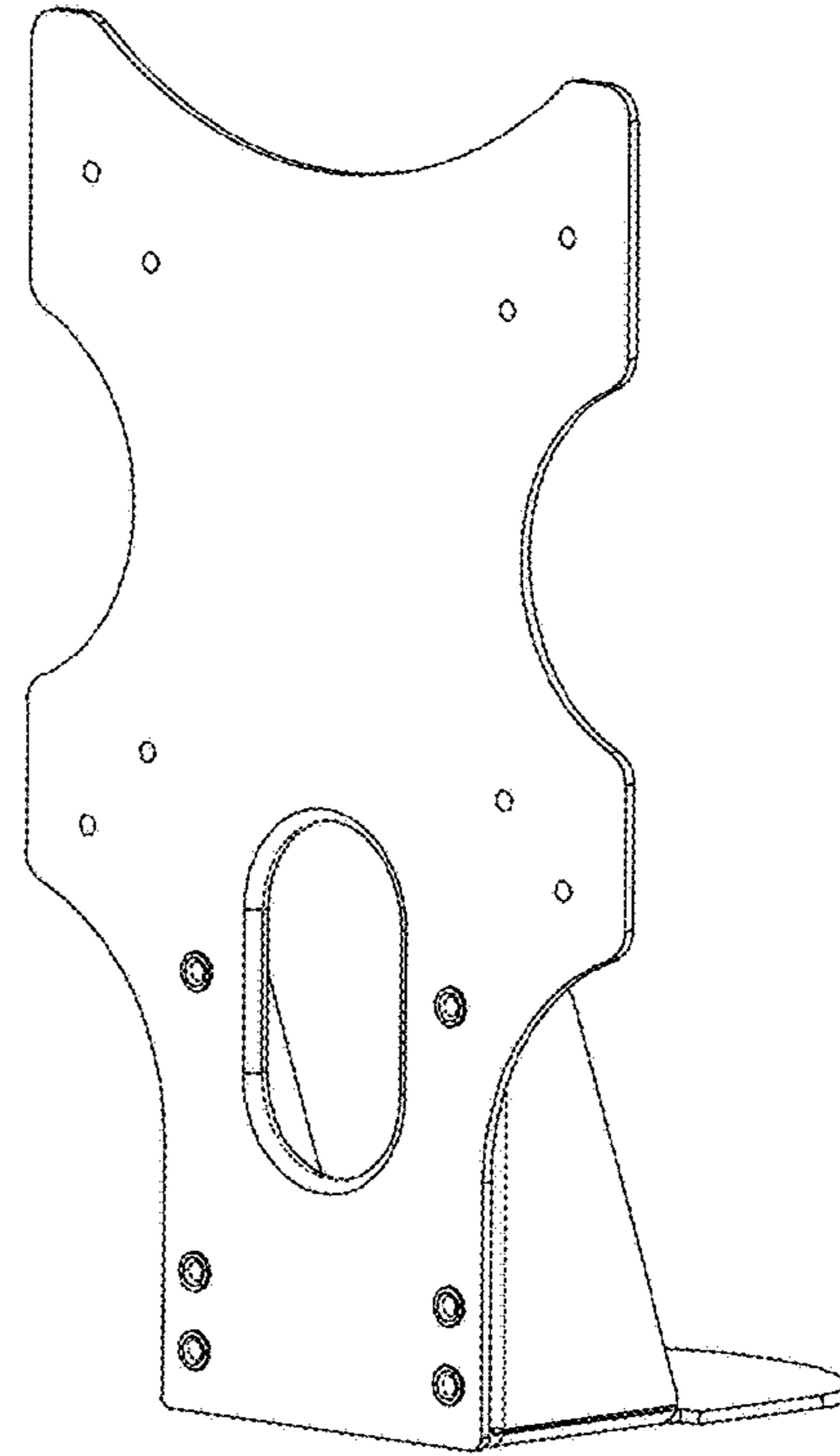


Fig. 2

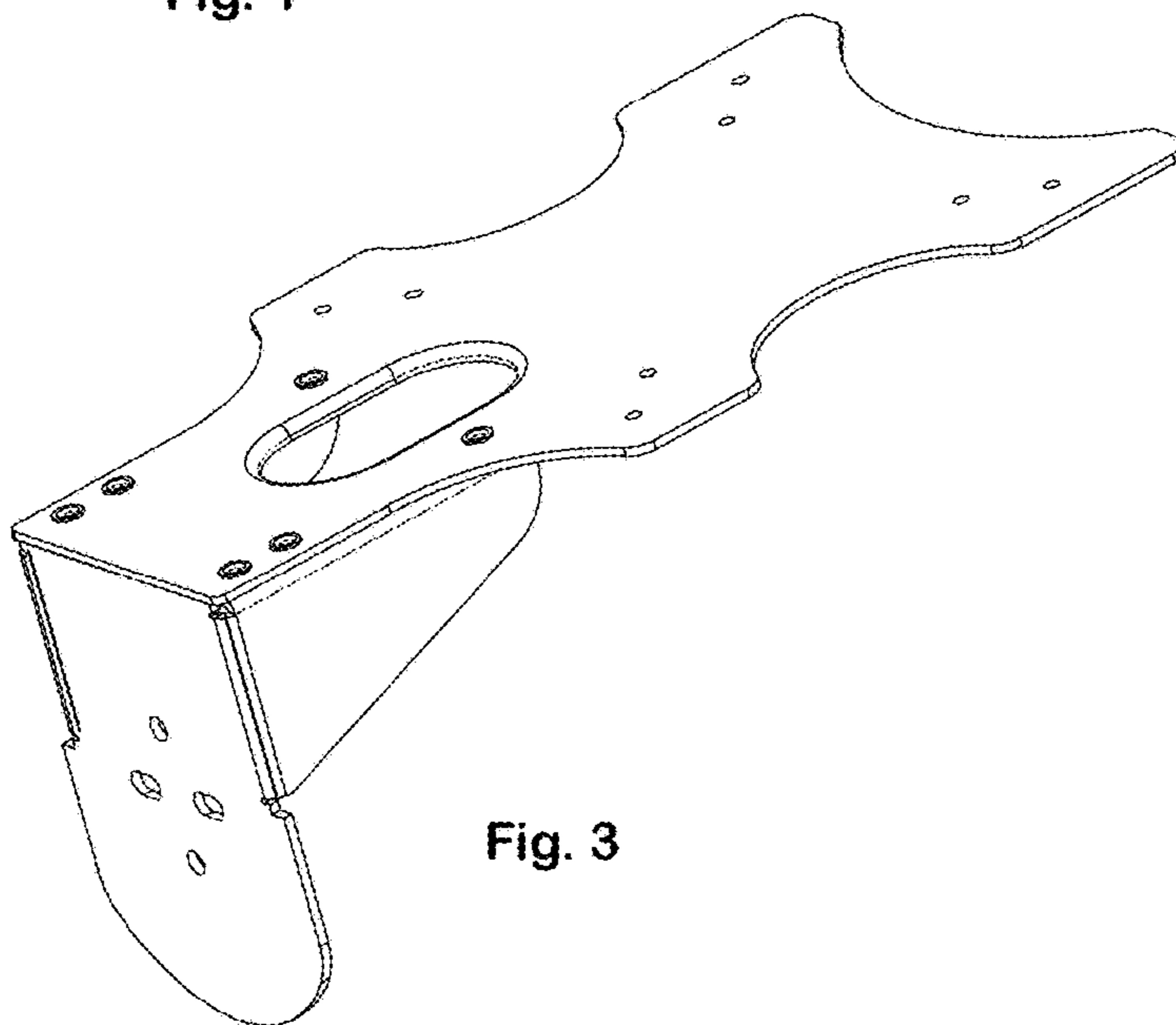


Fig. 3

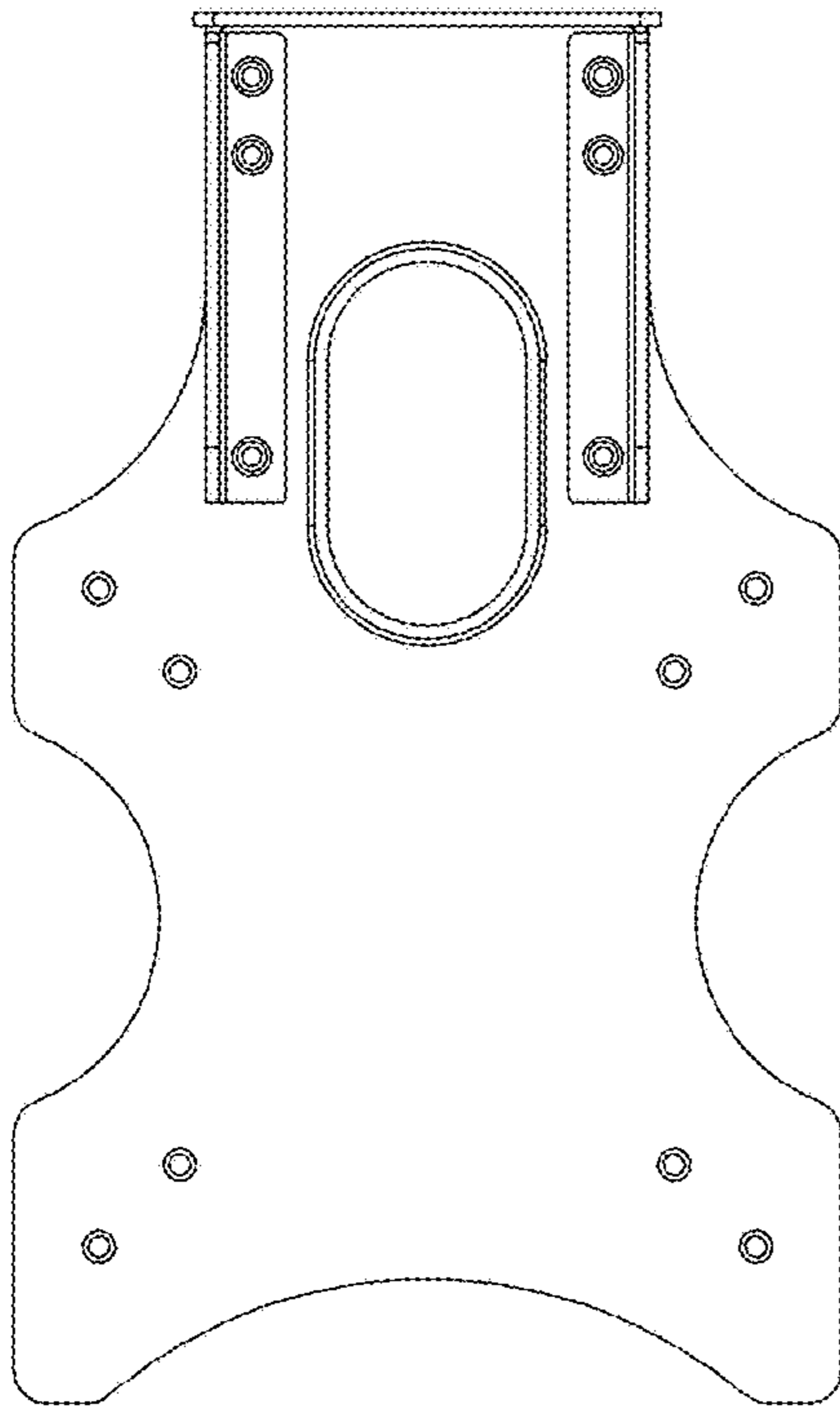


Fig. 4

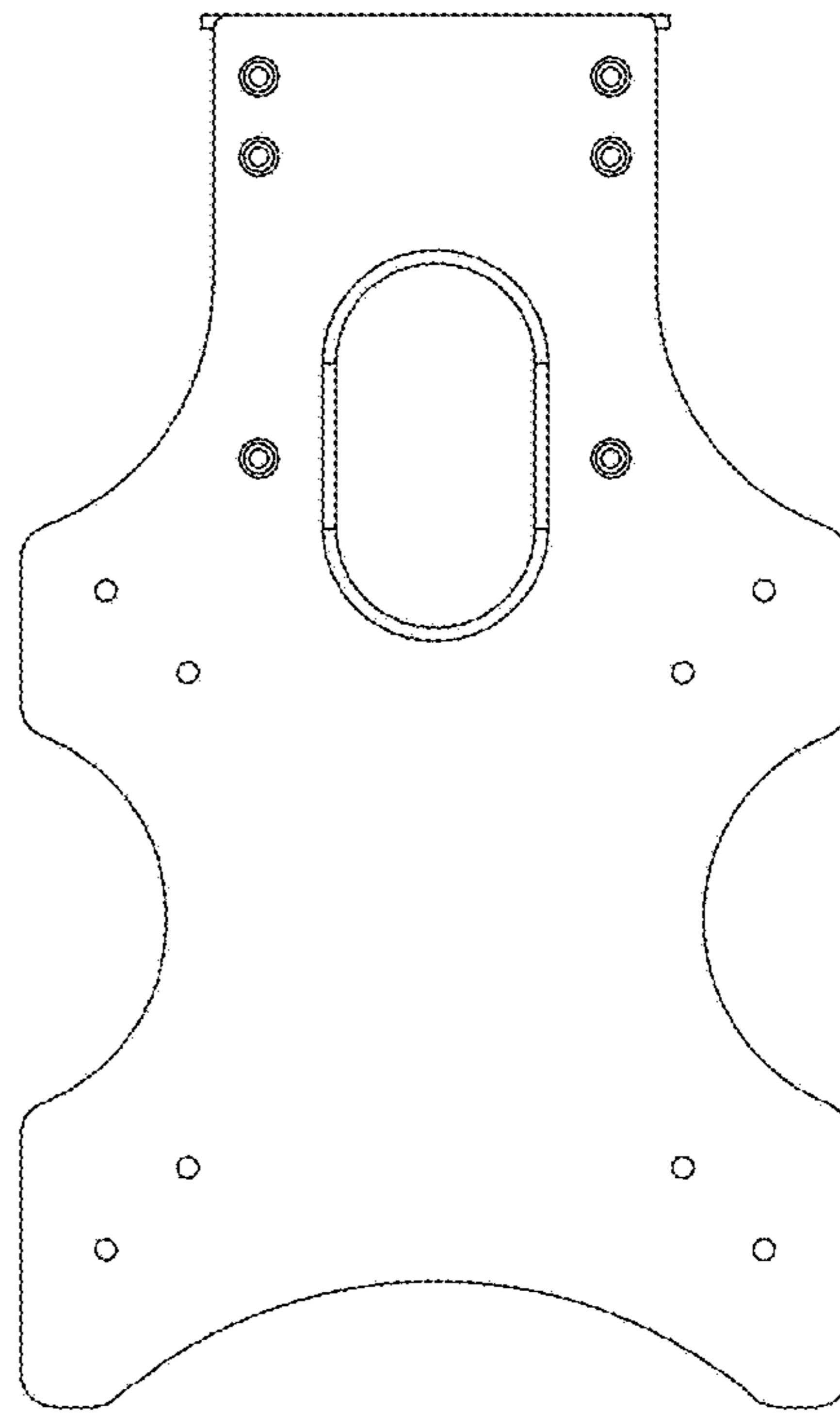


Fig. 5

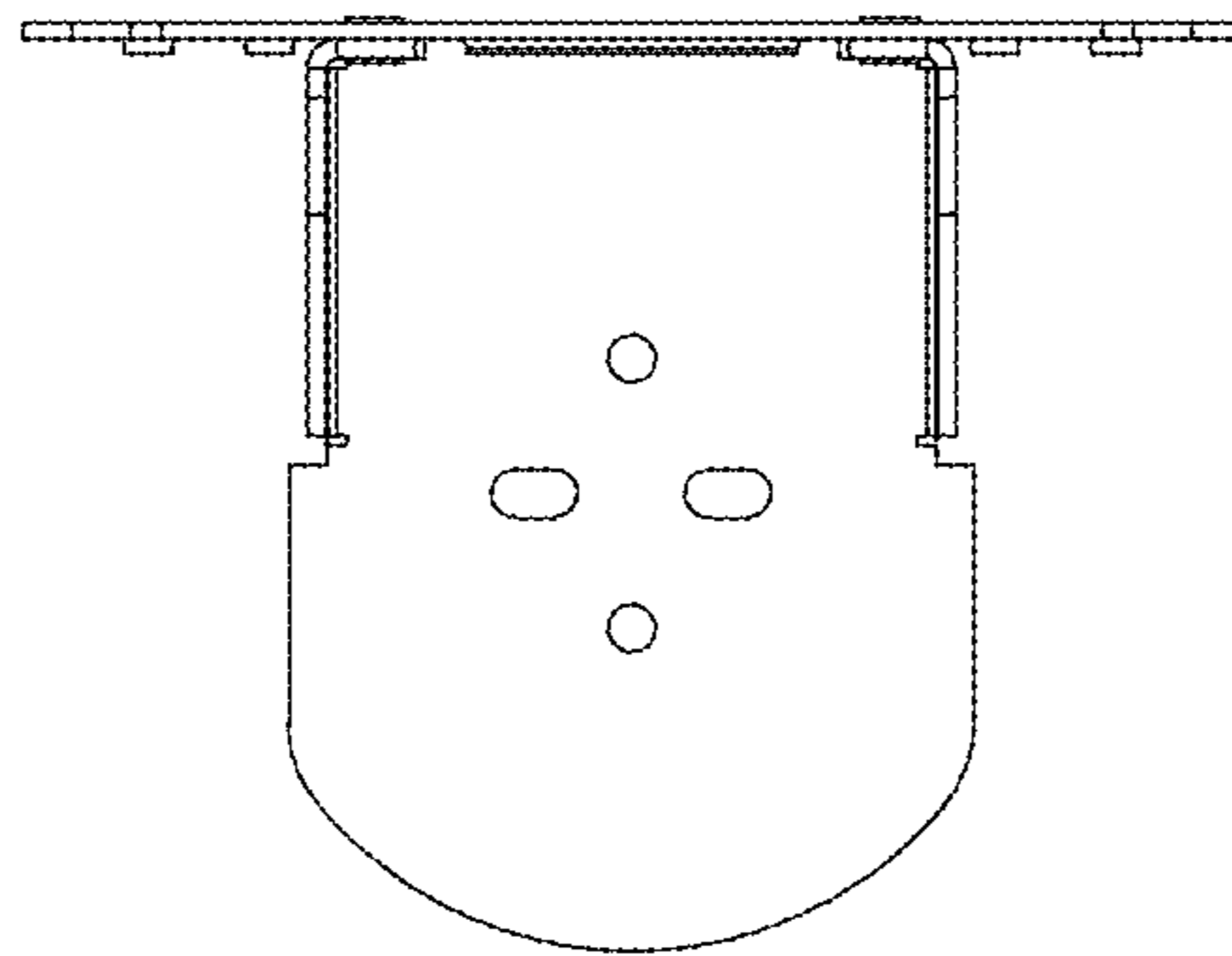


Fig. 6

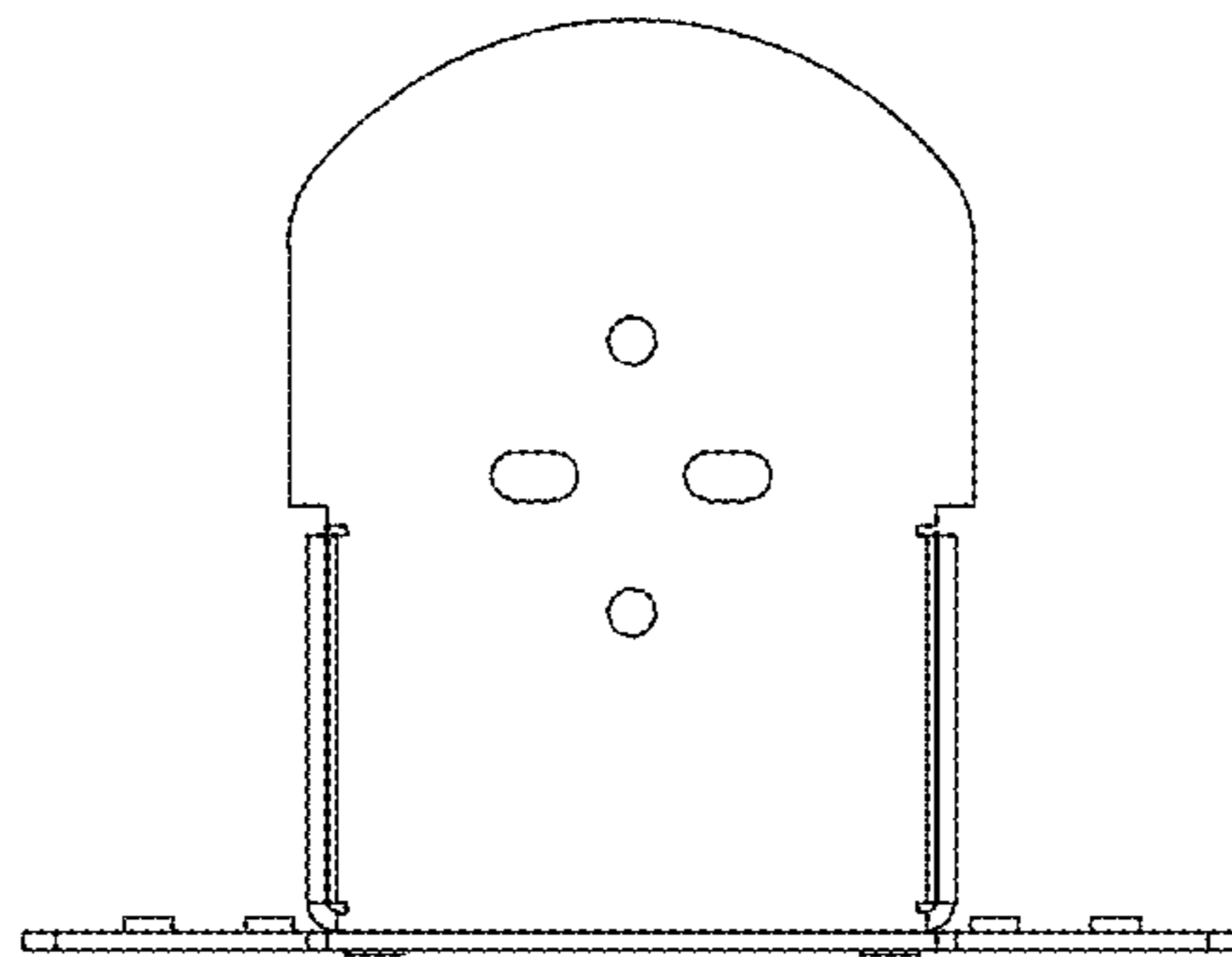


Fig. 7

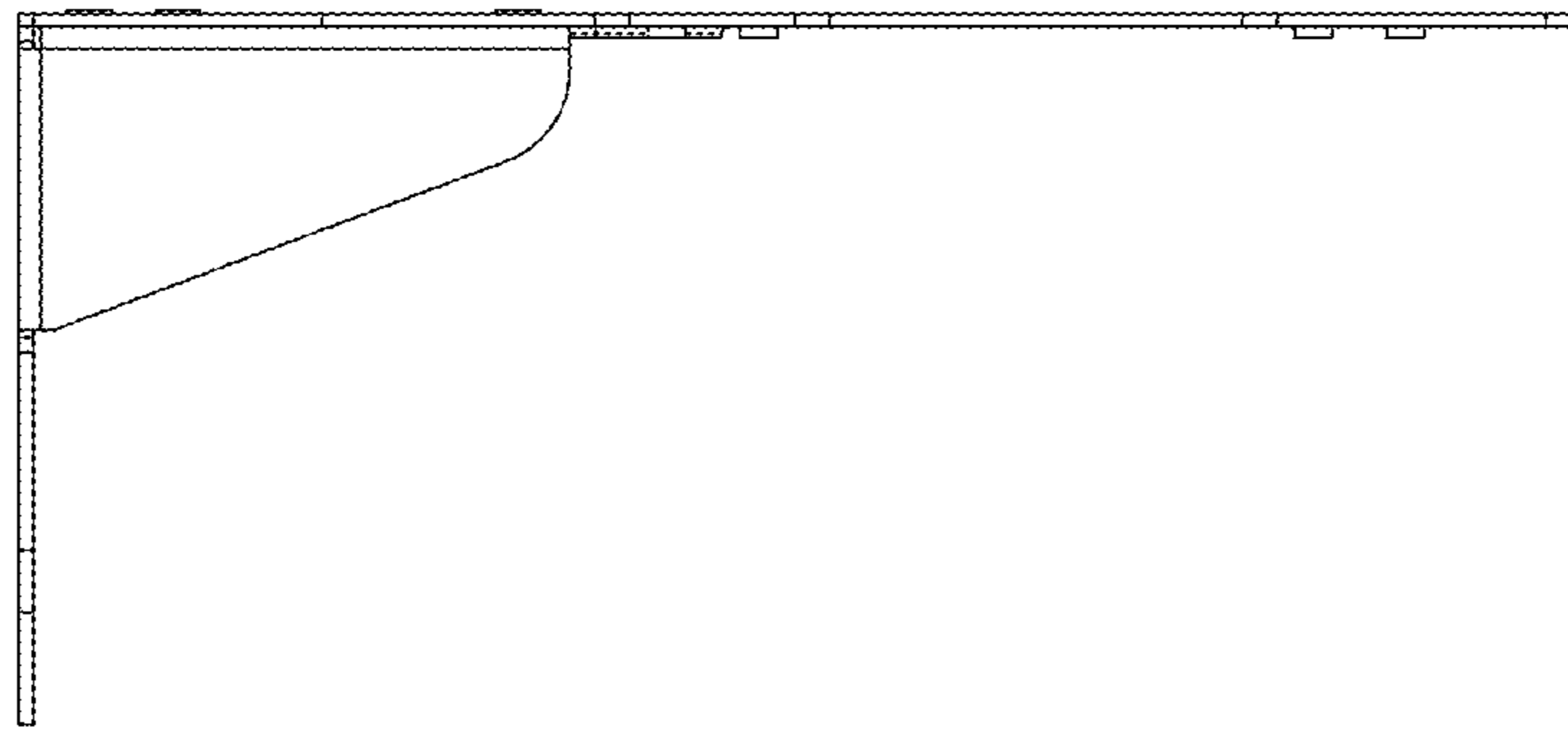


Fig. 8

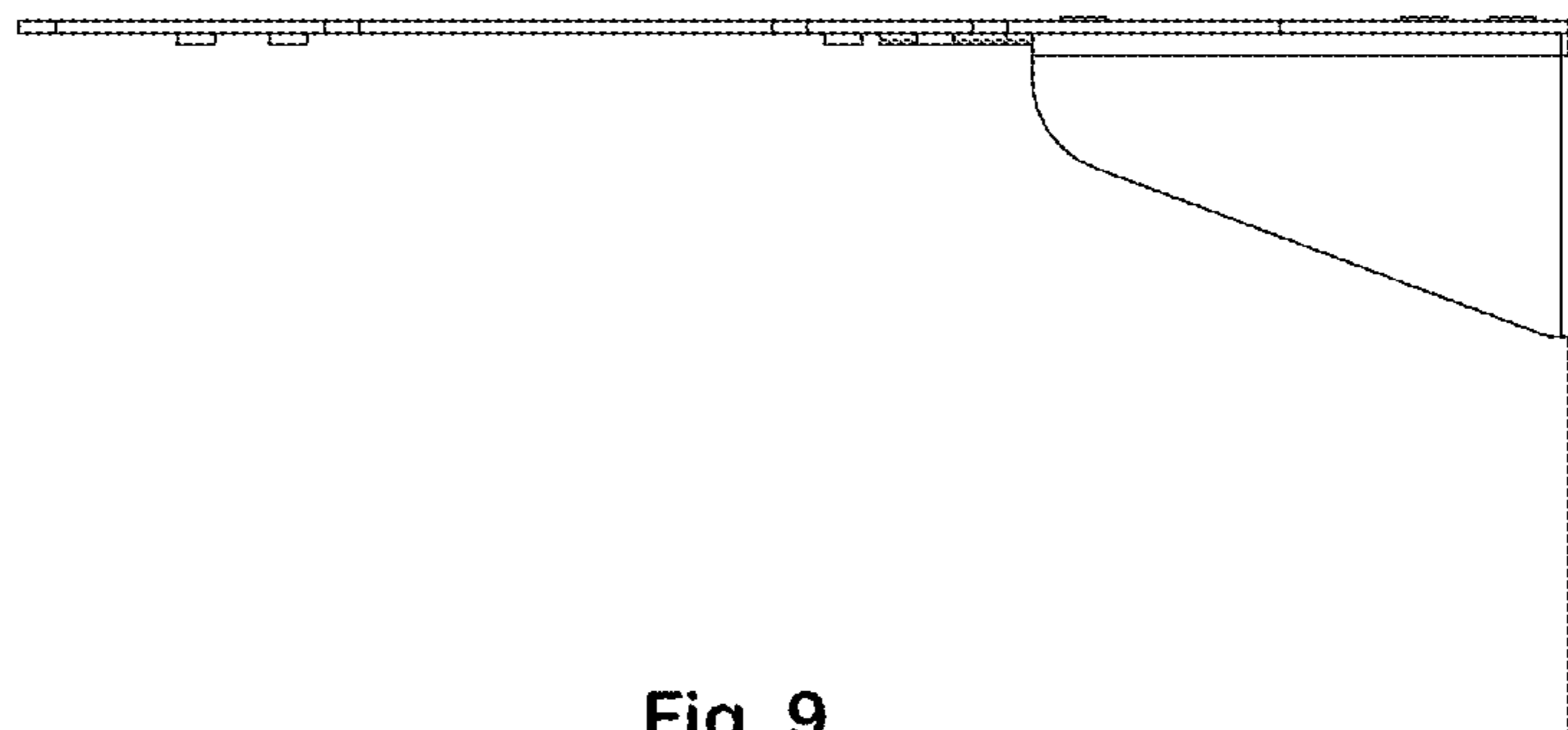


Fig. 9