



US00D846368S

(12) **United States Design Patent** (10) **Patent No.:** **US D846,368 S**
Jacobsthal et al. (45) **Date of Patent:** **** Apr. 23, 2019**

(54) **AGRICULTURAL MACHINE FRONT CONSOLE**
(71) Applicant: **CNH Industrial America LLC**, New Holland, PA (US)
(72) Inventors: **Eric M. Jacobsthal**, Elmhurst, IL (US); **Dwayne St. George Jackson**, Lake Orion, MI (US); **David C. Sachtleben**, Lititz, PA (US); **David M. Wilkie**, Turin (IT); **Jesse W. Gonzales**, Fairfax, VA (US)
(73) Assignee: **CNH Industrial America LLC**, New Holland, PA (US)
(**) Term: **15 Years**
(21) Appl. No.: **29/637,358**
(22) Filed: **Feb. 16, 2018**
(51) **LOC (11) Cl.** **08-08**
(52) **U.S. Cl.**
USPC **D8/354**
(58) **Field of Classification Search**
USPC D15/17, 28, 14, 15, 22-26, 31, 33;
D12/192; 180/69.24, 69.2, 69.21, 90,
180/89.12, 900; 296/70, 30, 72, 191,
296/198, 193.03
CPC B62D 49/00; B60K 37/00; B60K 37/02;
B60K 37/04; B60K 2350/928; B60Y
2200/22
See application file for complete search history.

(56) **References Cited**
U.S. PATENT DOCUMENTS
D256,018 S * 7/1980 Stone D12/192
4,447,860 A * 5/1984 Stone B62D 33/0617
180/90
D326,662 S * 6/1992 Holm D15/17

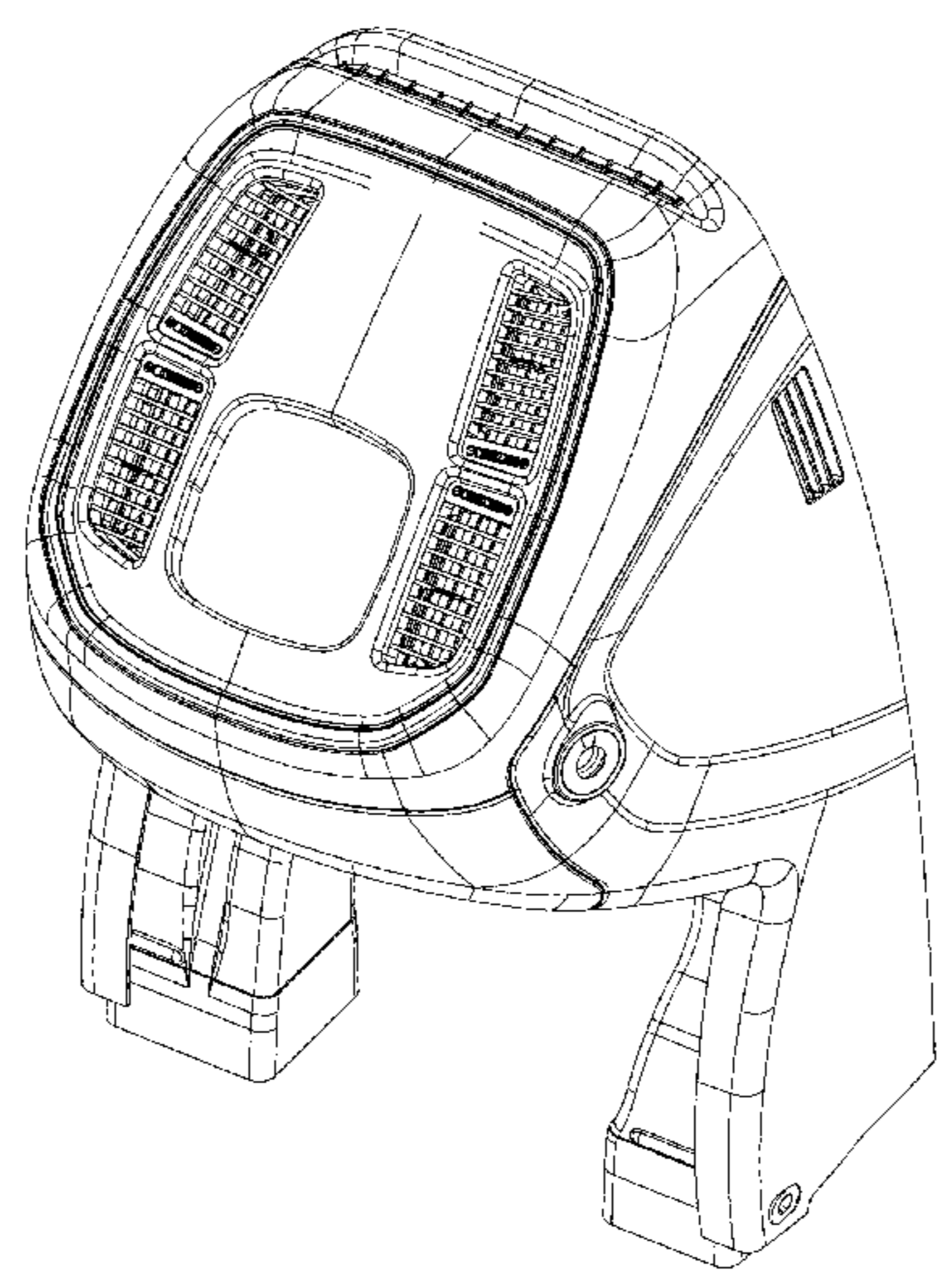
D365,574 S * 12/1995 Westimayer D15/17
D427,613 S * 7/2000 Altmann D15/28
D459,734 S * 7/2002 Hohnl D15/28
6,499,550 B2 * 12/2002 Matsuda B60K 37/00
180/90
D471,564 S * 3/2003 Hohnl D15/28
D549,739 S * 8/2007 Stephens D15/28
D584,321 S * 1/2009 Matsumoto D15/17
D594,885 S * 6/2009 Kuwae D15/17
D652,063 S * 1/2012 Takeuchi D15/28
D652,433 S * 1/2012 Takeuchi D15/28
D685,006 S * 6/2013 Hagura D15/17
8,474,562 B2 * 7/2013 Elhardt B60K 37/00
180/89.12
D692,466 S * 10/2013 Takagi D15/17
D707,722 S * 6/2014 Higashikawa D15/15
D718,343 S * 11/2014 Carter D15/28
D754,211 S * 4/2016 Moore D15/28
D819,706 S * 6/2018 Diebold D15/28
D822,071 S * 7/2018 Jacobsthal D15/28
2002/0043414 A1 * 4/2002 Matsuda B60K 37/00
180/90
2013/0062904 A1 * 3/2013 Elhardt B60K 37/00
296/70

* cited by examiner
Primary Examiner — Mark A Goodwin
(74) *Attorney, Agent, or Firm* — Rickard K. DeMille;
Rebecca L. Henkel

(57) **CLAIM**
The ornamental design for an agricultural machine front console, as shown and described.

DESCRIPTION
FIG. 1 is a perspective view of an agricultural machine front console of the present design;
FIG. 2 is a front view thereof;
FIG. 3 is a side view thereof;
FIG. 4 is an opposite side view thereof; and,
FIG. 5 is a top view thereof.

1 Claim, 5 Drawing Sheets



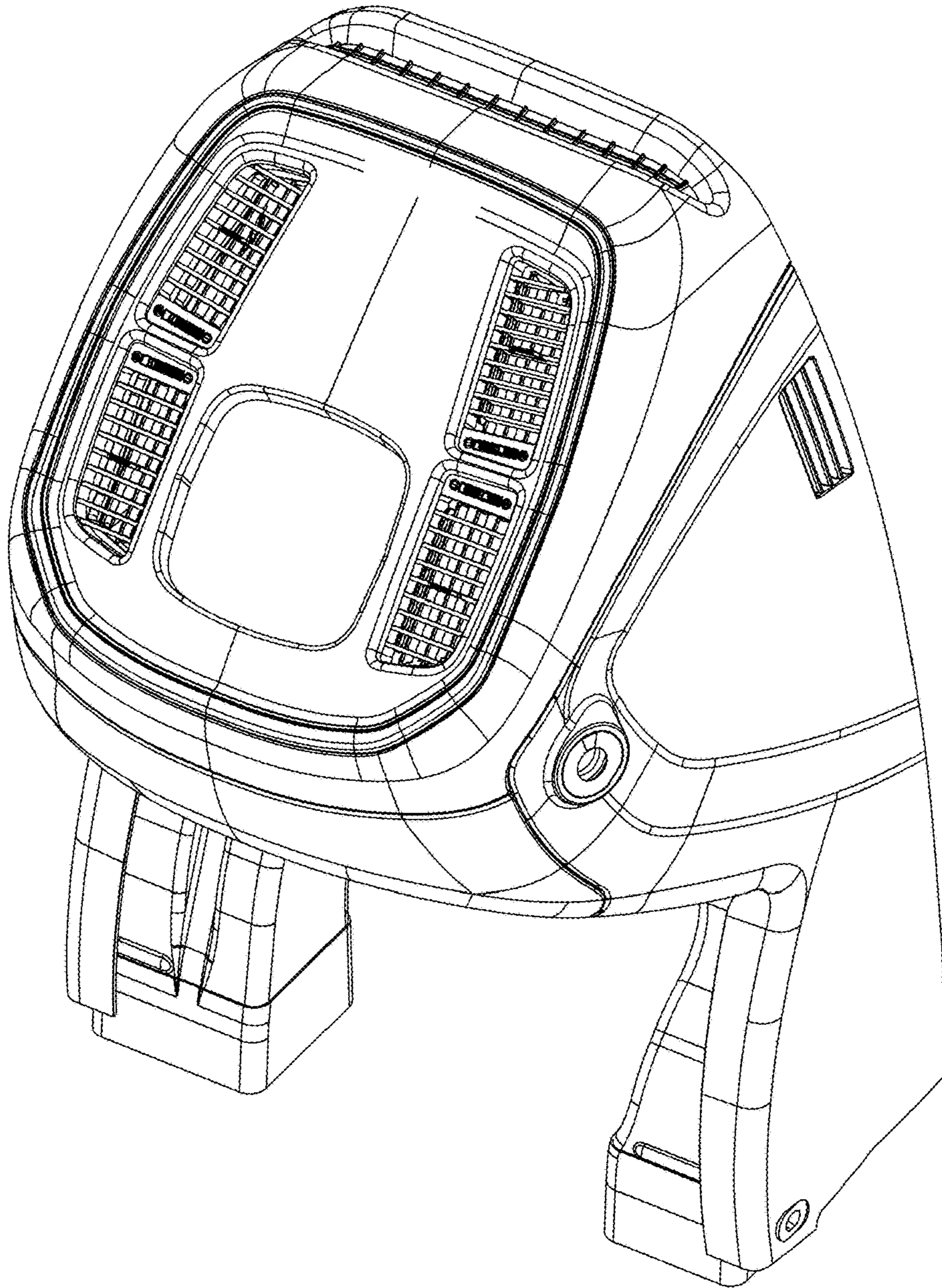


FIG. 1

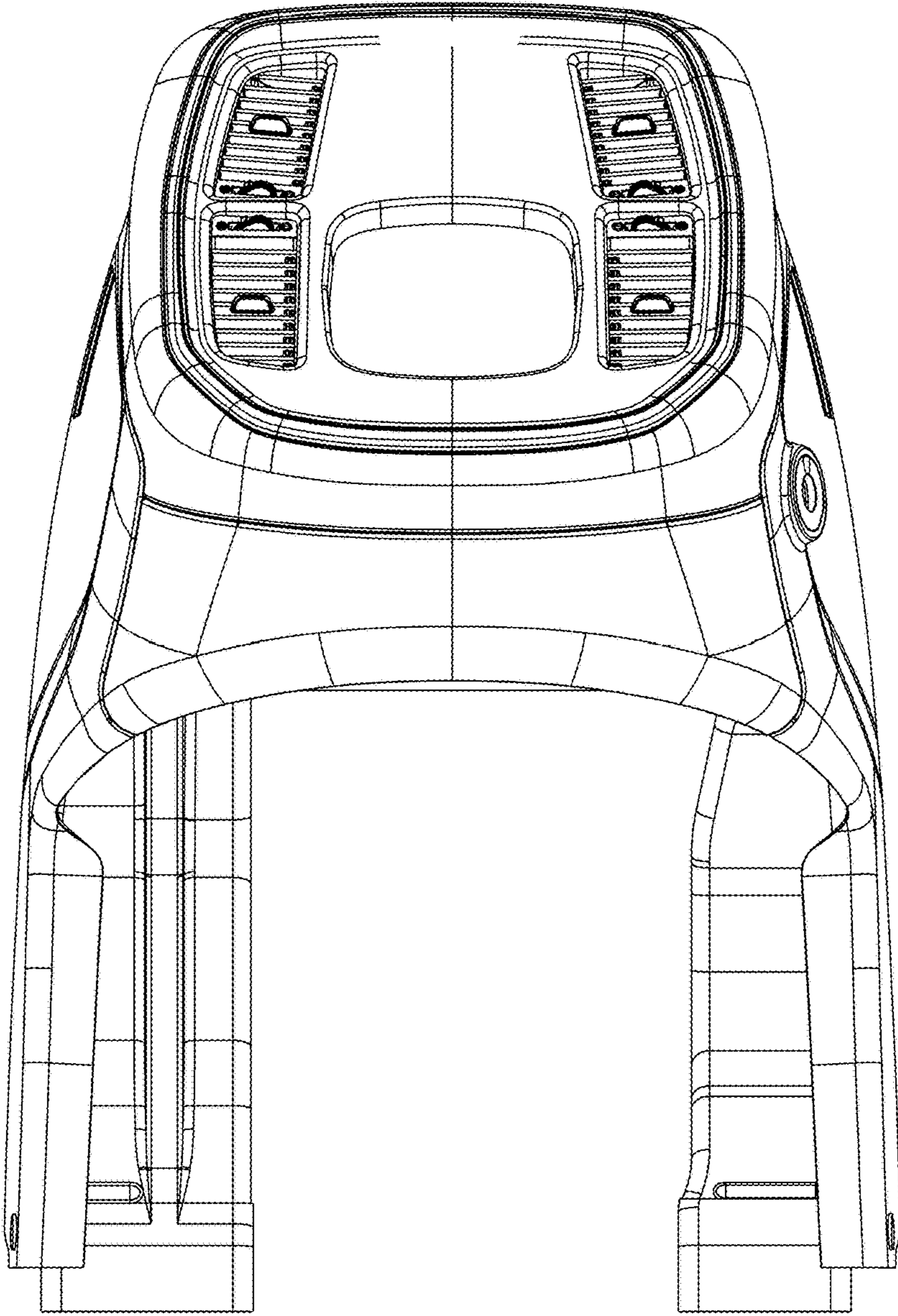


FIG. 2

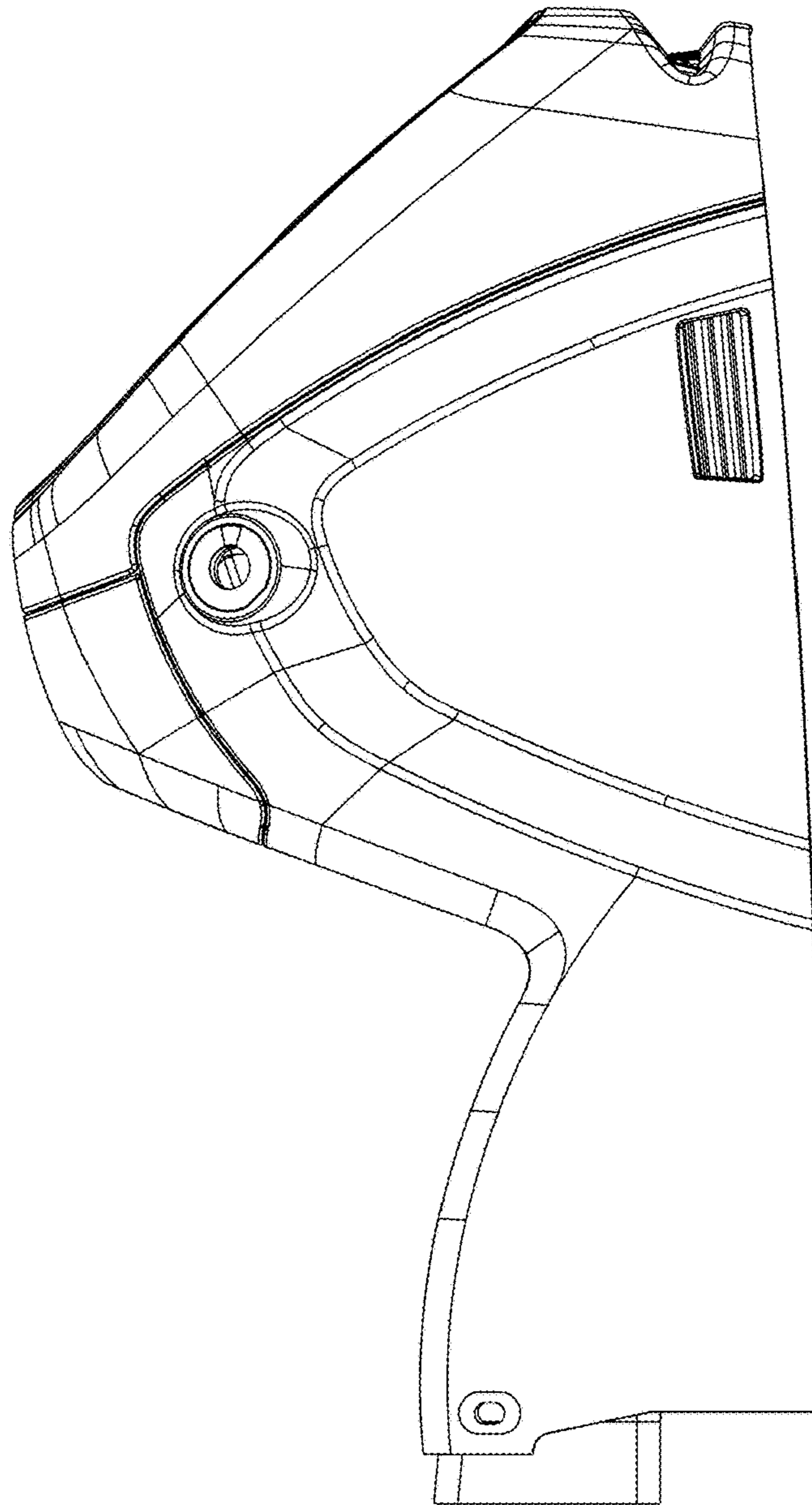


FIG. 3

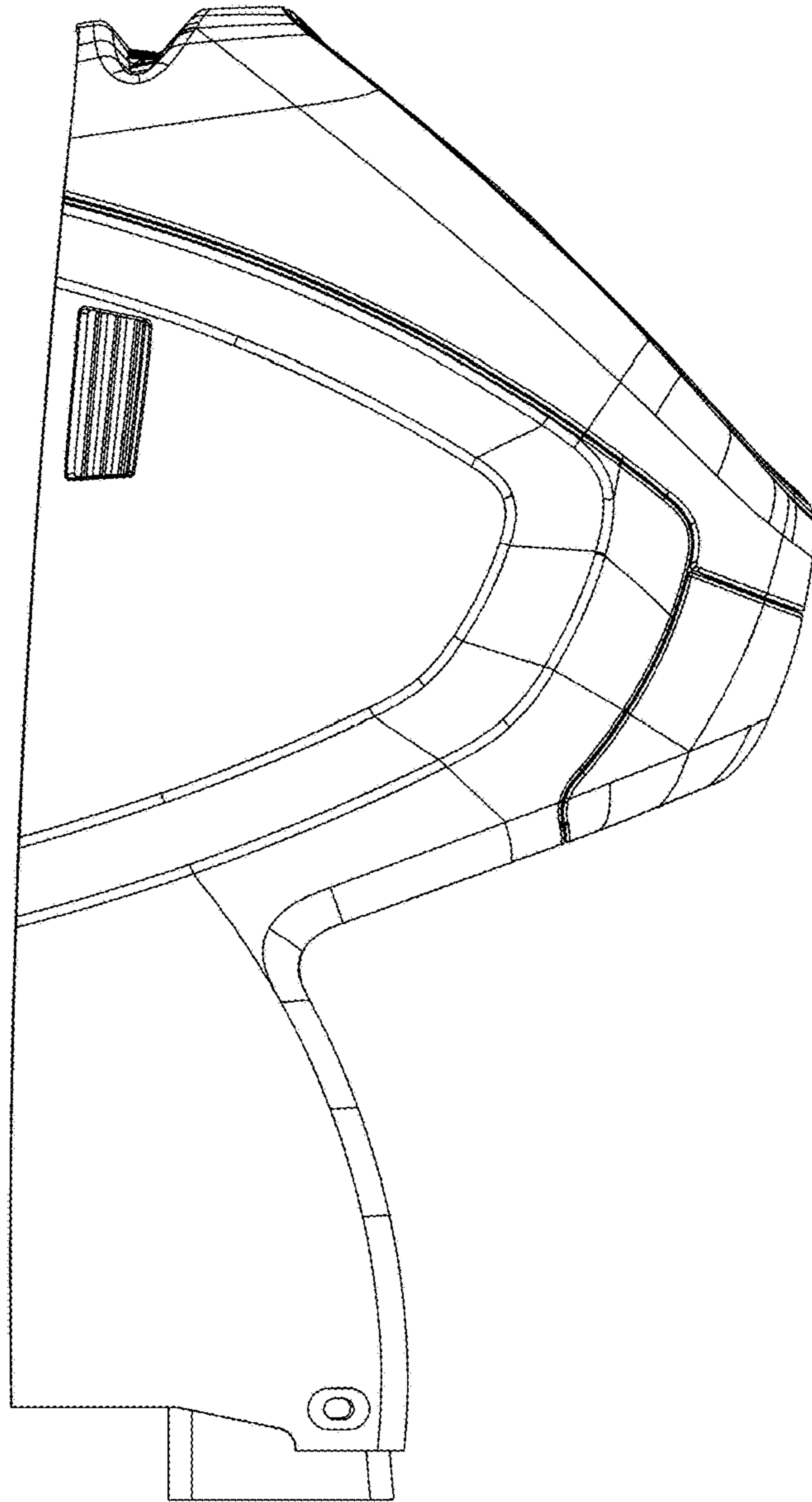


FIG. 4

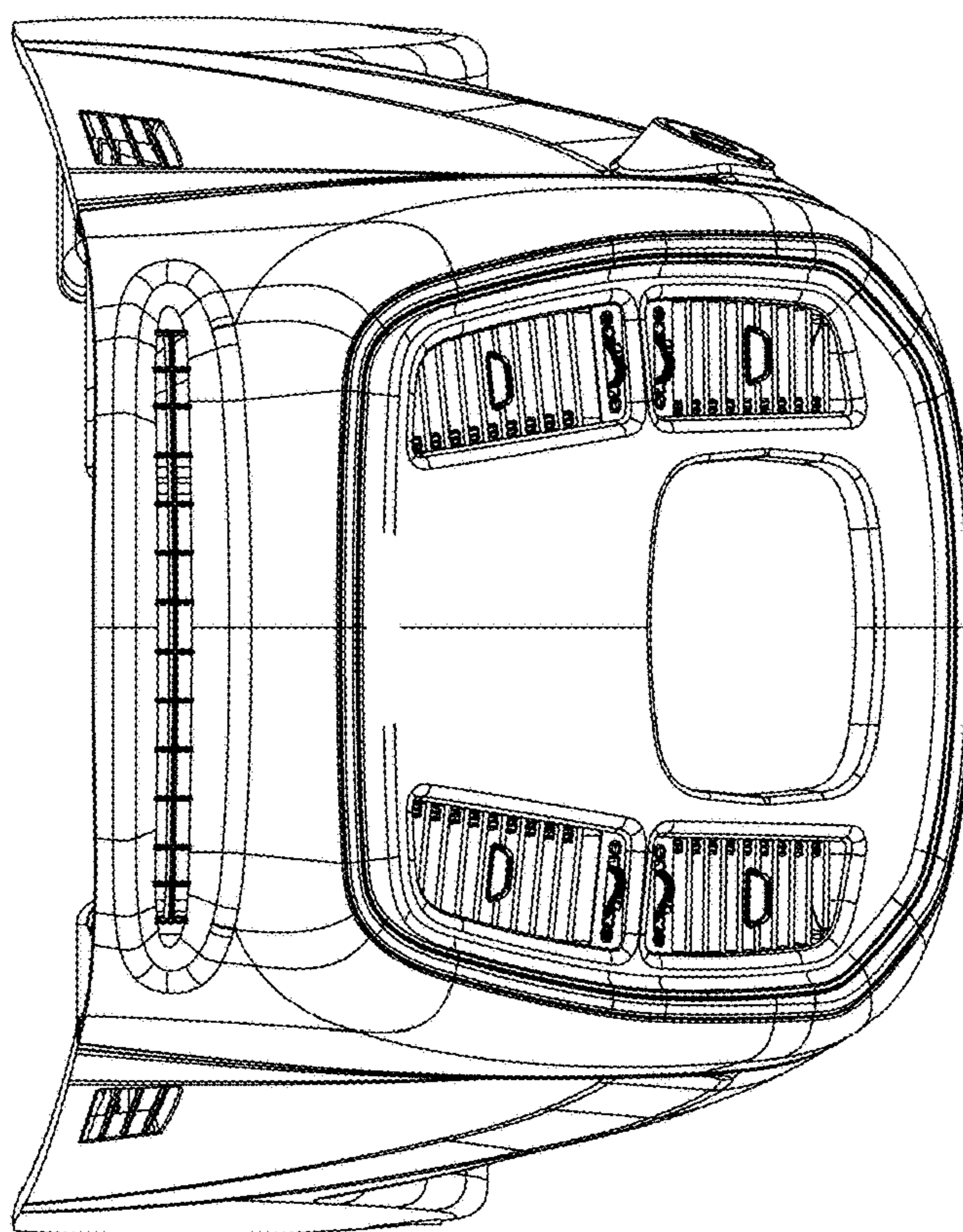


FIG. 5