



US00D846367S

(12) **United States Design Patent** (10) **Patent No.:** **US D846,367 S**
Romero, Jr. (45) **Date of Patent:** **** Apr. 23, 2019**

(54) **SECURITY DOOR STRIKE PLATE**

6,085,465 A * 7/2000 Olberding E05B 15/0205
49/460

(71) Applicant: **Gregory Romero, Jr.**, Somerville, NJ
(US)

D452,811 S * 1/2002 Shedd D8/344
D617,626 S * 6/2010 David D8/333

(72) Inventor: **Gregory Romero, Jr.**, Somerville, NJ
(US)

9,422,742 B2 * 8/2016 Pardoe E05B 15/0205
D777,558 S * 1/2017 Magee E05B 15/025
D8/343

(**) Term: **15 Years**

* cited by examiner

(21) Appl. No.: **29/640,732**

Primary Examiner — Janice Hallmark

(22) Filed: **Mar. 16, 2018**

Assistant Examiner — Harold E Blackwell, II

(51) **LOC (11) Cl.** **08-07**

(74) *Attorney, Agent, or Firm* — Scott H. Kaliko; Kaliko
& Associates, LLC

(52) **U.S. Cl.**

(57) **CLAIM**

USPC **D8/343**; D8/344

The ornamental design for a security door strike plate, as
shown and described.

(58) **Field of Classification Search**

USPC D8/321, 330, 331, 344, 343, 400

CPC ... E05B 1/00; E05B 3/00; E05B 15/02; E05B
17/00

DESCRIPTION

See application file for complete search history.

FIG. 1 is a front perspective view of a design for the security
door strike plate;

(56) **References Cited**

U.S. PATENT DOCUMENTS

3,057,053 A * 10/1962 Schlage E04F 21/003
29/407.1

D273,937 S * 5/1984 Ruff D8/344

4,635,399 A * 1/1987 Gehrke E05B 15/0245
292/346

D302,937 S * 8/1989 Briggs D8/344

D339,056 S * 9/1993 Black D8/344

D376,747 S * 12/1996 Jackson D8/330

D381,253 S * 7/1997 Guidotti D8/331

FIG. 2 is a front view thereof;

FIG. 3 is a back view thereof;

FIG. 4 is a side view of thereof;

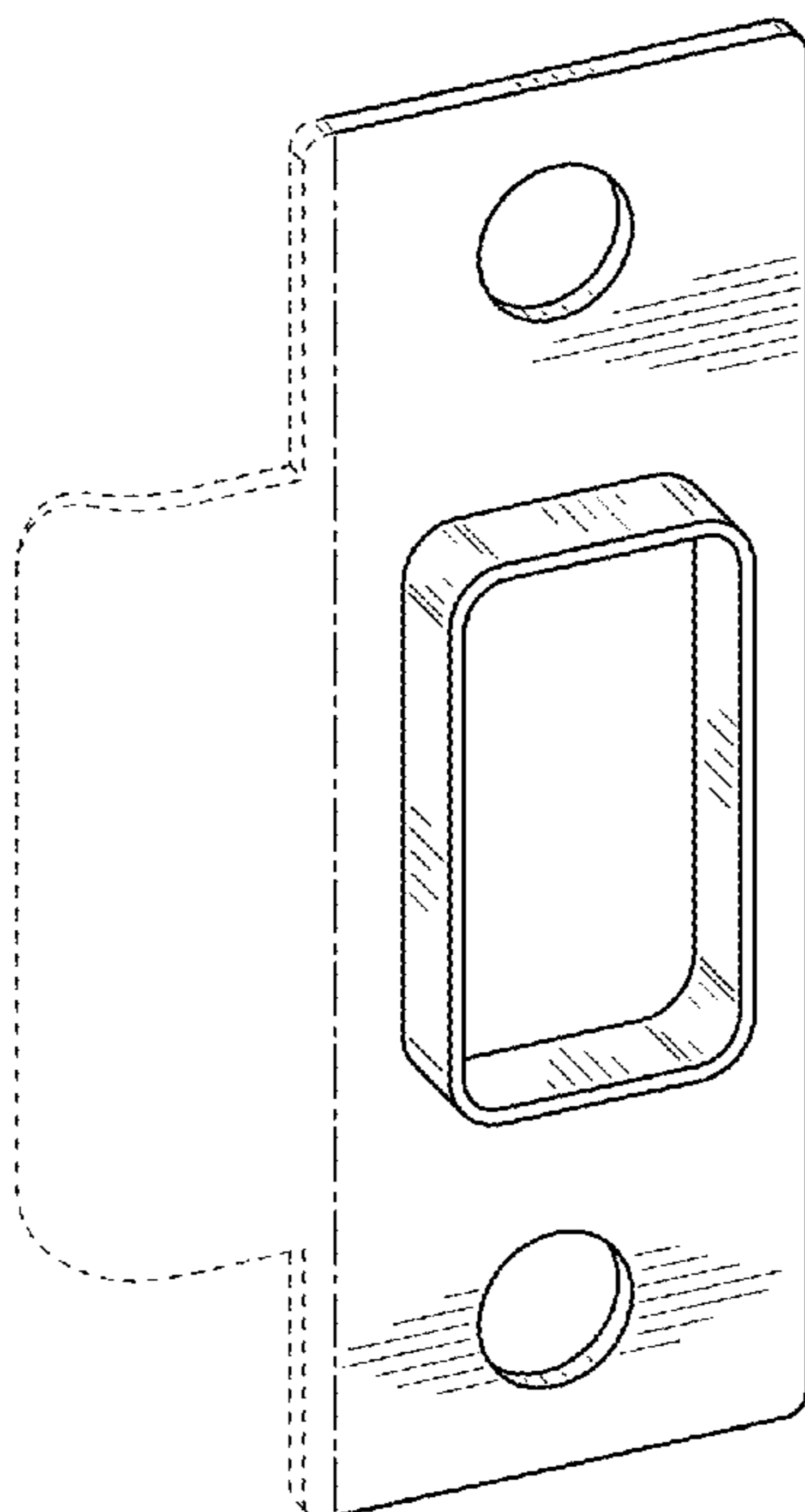
FIG. 5 is a side view thereof;

FIG. 6 is a top view thereof; and,

FIG. 7 is a bottom view thereof.

The Broken lines present in the figures are included for the
purpose of illustrating portions of the article that form no
part of the claimed design.

1 Claim, 3 Drawing Sheets



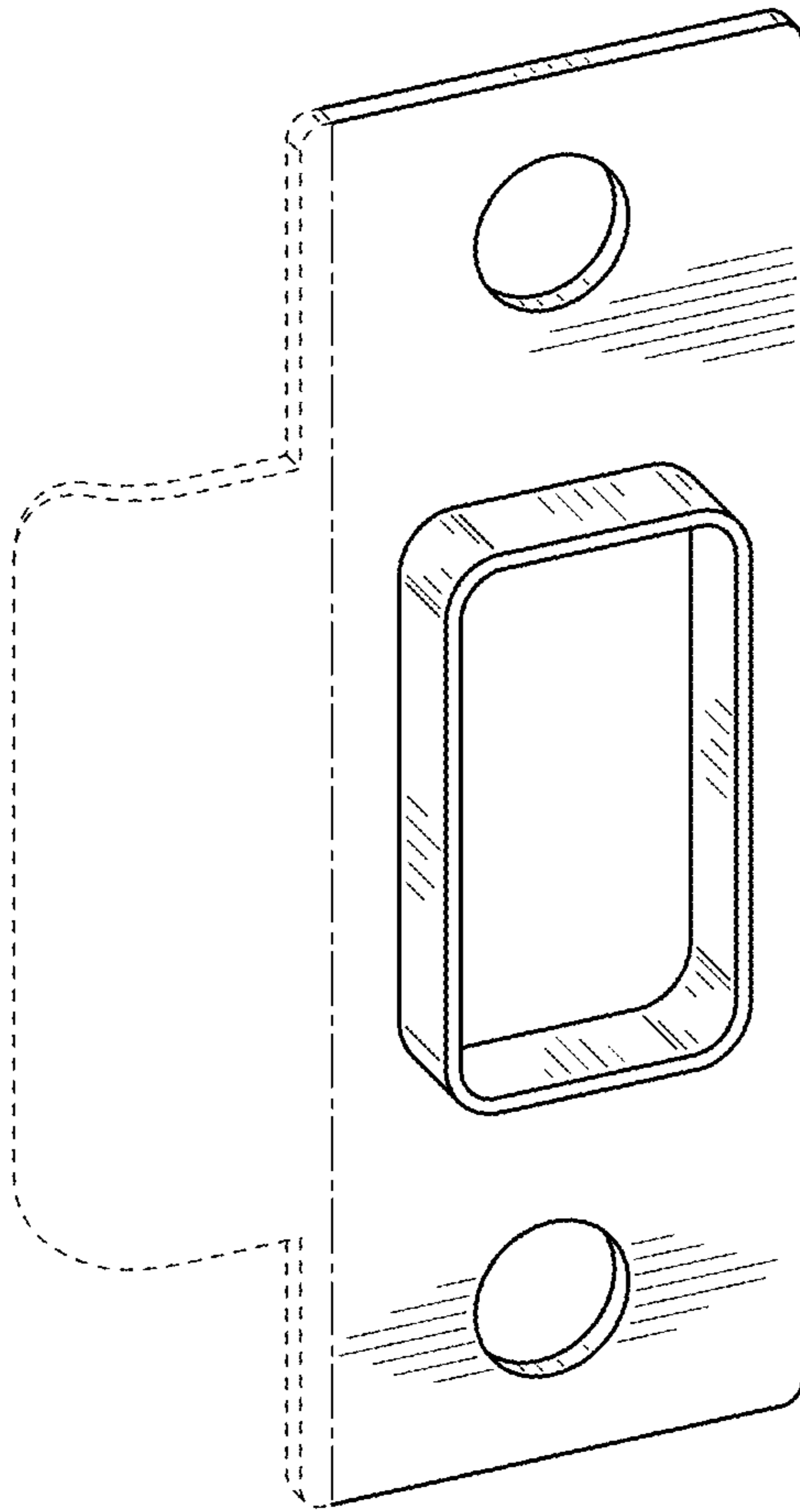


FIG. 1

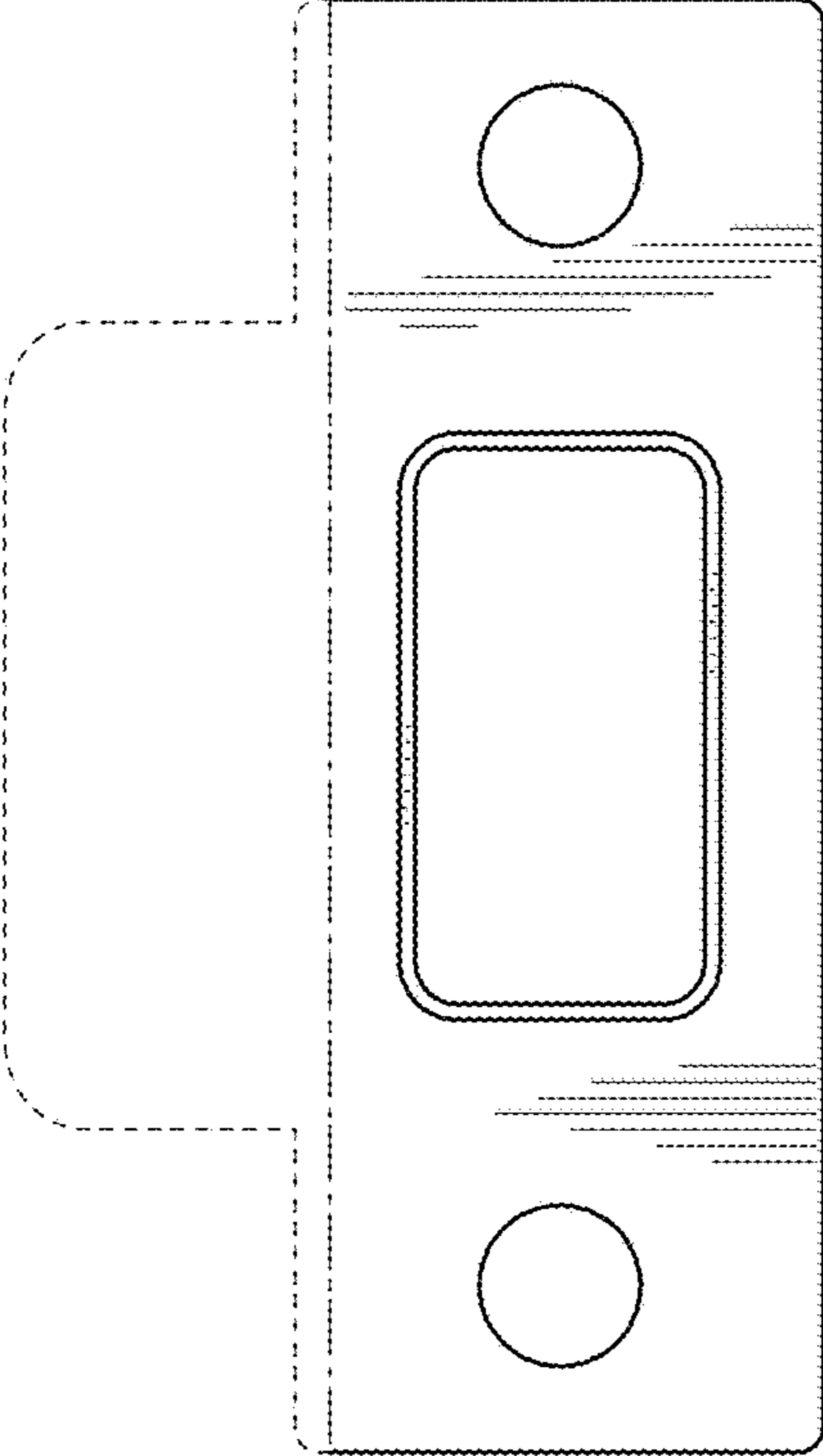


FIG. 2

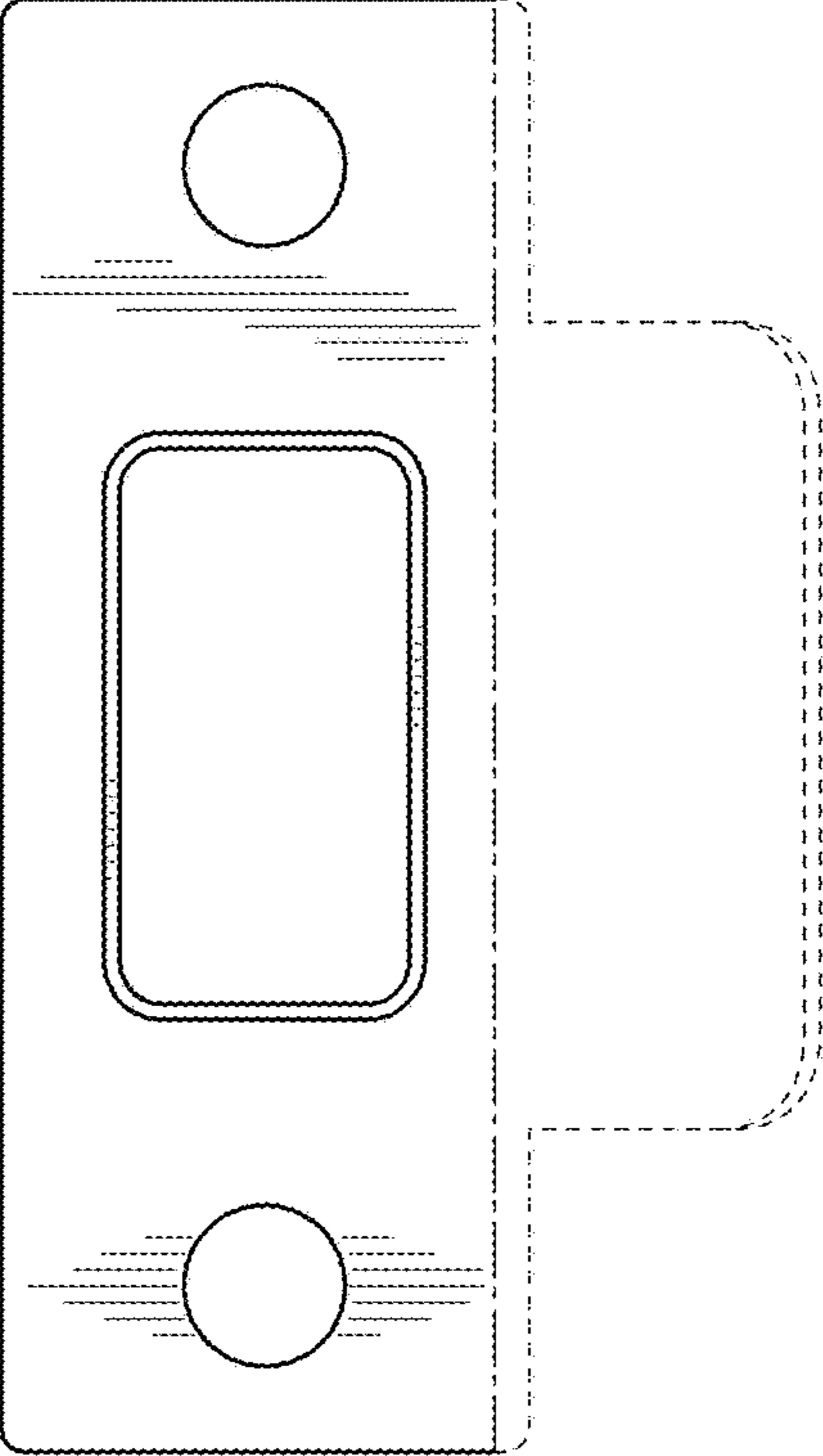


FIG. 3

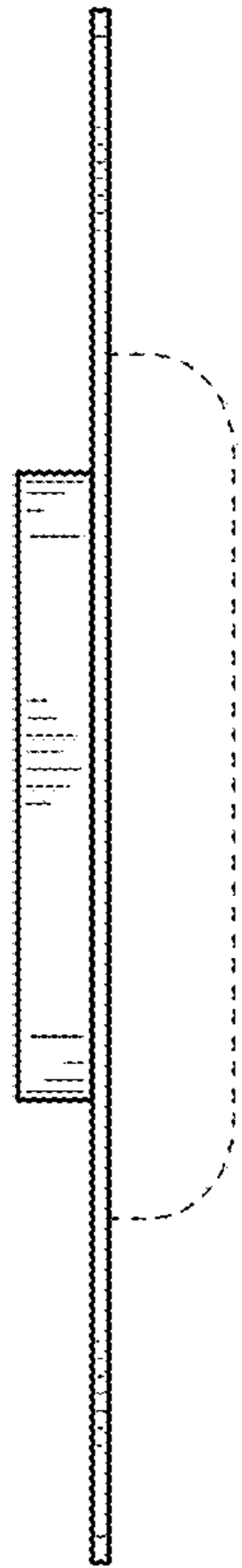


FIG. 4

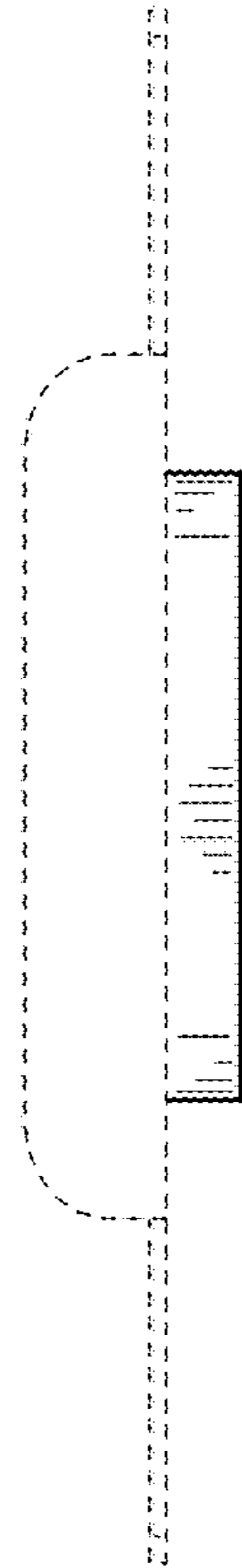


FIG. 5

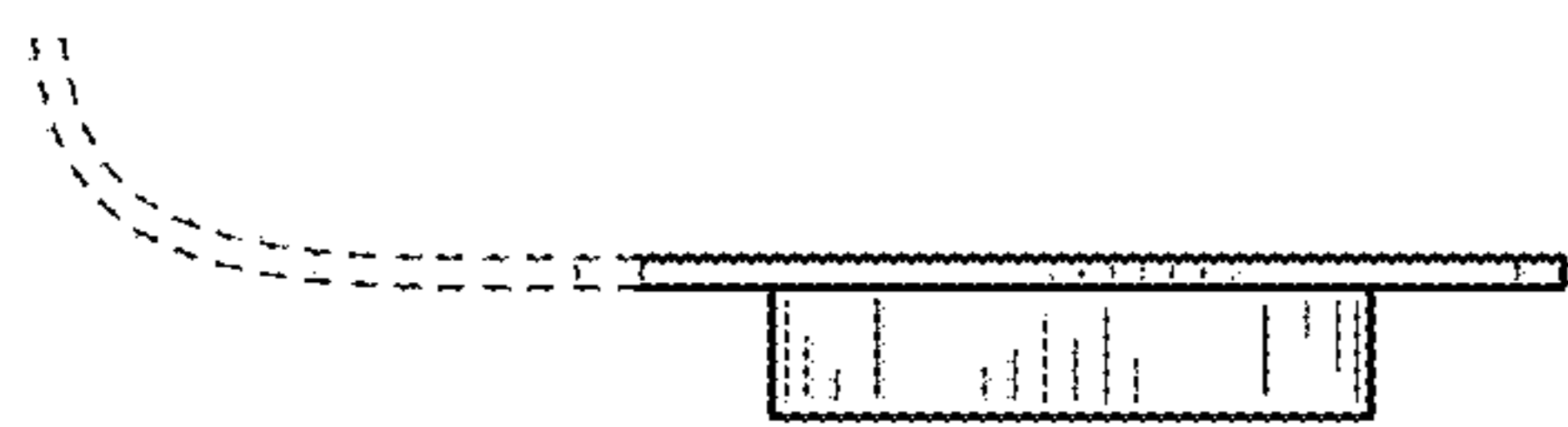


FIG. 6

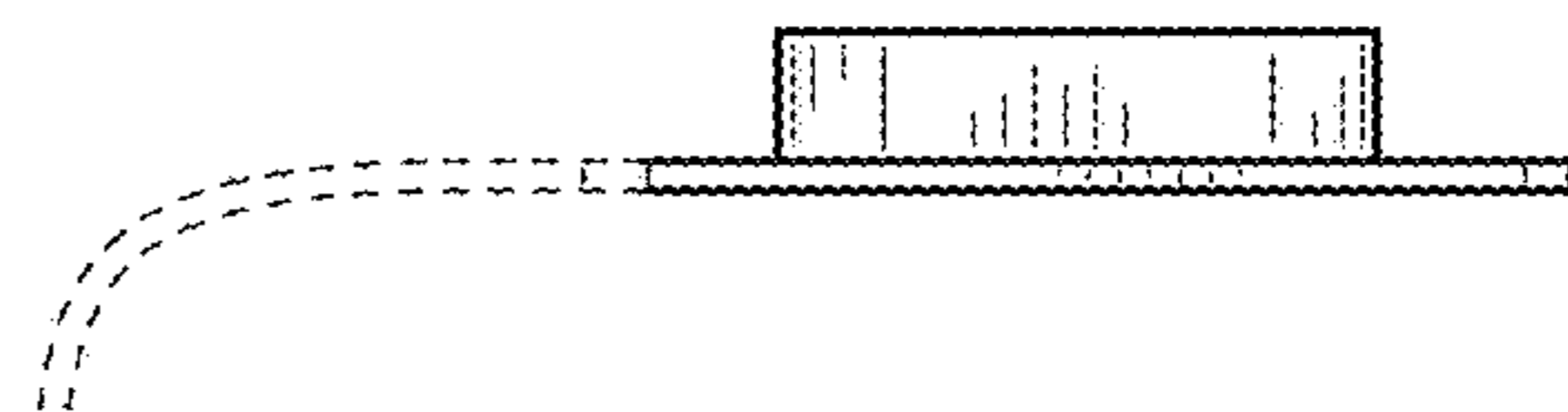


FIG. 7