

US00D846365S

(12) **United States Design Patent** (10) **Patent No.:** **US D846,365 S**
Wang (45) **Date of Patent:** **** Apr. 23, 2019**

- (54) **DOVETAIL CLAMP ARM**
- (71) Applicant: **MICRO JIG, INC.**, Winter Springs, FL (US)
- (72) Inventor: **Henry Wang**, Winter Park, FL (US)
- (**) Term: **15 Years**
- (21) Appl. No.: **29/597,765**
- (22) Filed: **Mar. 20, 2017**

Related U.S. Application Data

- (63) Continuation-in-part of application No. 14/728,154, filed on Jun. 2, 2015, now Pat. No. 10,099,398.
- (51) **LOC (11) Cl.** **08-05**
- (52) **U.S. Cl.**
USPC **D8/72**
- (58) **Field of Classification Search**
USPC D8/71-74, 394-399, 59; 248/63, 72, 248/74.1, 689, 124.2; 81/487, 385, 386, 81/388-390; 269/3, 4, 6, 143, 165, 240, 269/243, 246-249, 254 R, 147-149; 29/256, 257, 276; 408/103, 104-109
CPC B25B 1/00; B25B 5/00
See application file for complete search history.

(56) **References Cited**

U.S. PATENT DOCUMENTS

1,793,560	A	2/1931	Schmieder	
2,642,905	A	6/1953	Hewat	
3,664,654	A	5/1972	Manville	
4,753,425	A	6/1988	Yang	
4,861,011	A	8/1989	Varga	
4,867,427	A	9/1989	Cunningham	
5,181,702	A	1/1993	Pettigrew	
5,190,271	A	3/1993	Otterbein, II	
D356,721	S *	3/1995	Tessman	D8/72
D356,722	S *	3/1995	Tessman	D8/72
5,730,434	A	3/1998	Schoene et al.	

D467,152	S *	12/2002	Wolff	D8/72
6,505,391	B1	1/2003	Schneider	
6,860,475	B2	3/2005	Wong	
7,114,714	B2	10/2006	Wong	
D543,821	S *	6/2007	Ranieri	D8/73
7,325,271	B2 *	2/2008	Paterson	A47L 9/0009 15/246.2
7,415,912	B2	8/2008	Tyler	
8,020,840	B2	9/2011	Hall, Jr.	

(Continued)

FOREIGN PATENT DOCUMENTS

DE	9200535	12/1993
GB	2276114	9/1994

(Continued)

Primary Examiner — David G Muller

(74) *Attorney, Agent, or Firm* — Robert L. Wolter, Esq.;
Beusse Wolter Sanks & Maire, PLLC

(57) **CLAIM**

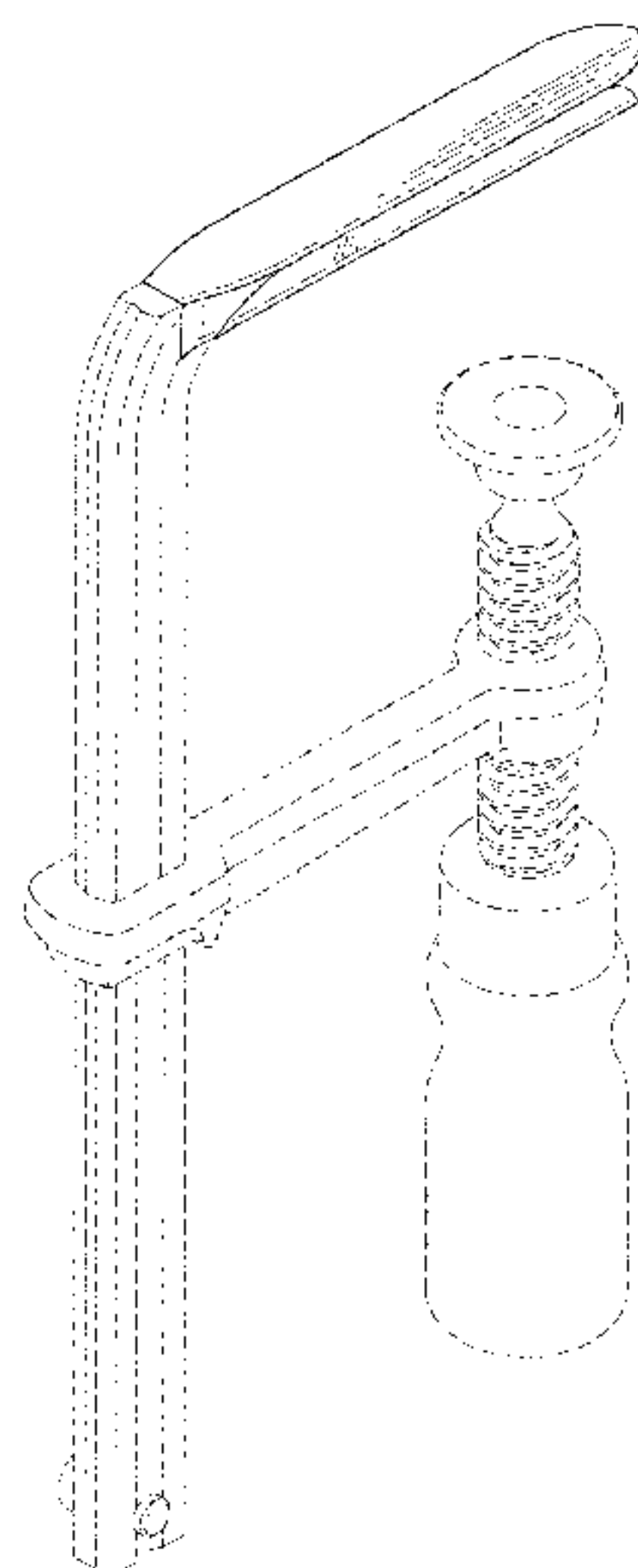
The ornamental design of a dovetail clamp arm, as shown and described.

DESCRIPTION

FIG. 1 is a top rear perspective view of a dovetail clamp arm in accordance with the present invention; FIG. 2 is a top front perspective view thereof; FIG. 3 is a bottom perspective view thereof; FIG. 4 is a side elevation view thereof; FIG. 5 is a front elevation view thereof; FIG. 6 is a rear elevation view thereof; FIG. 7 is a top view thereof; FIG. 8 is a bottom view thereof; and, FIG. 9 is a bottom view cross section through line 9-9 of FIG. 4.

The features shown in broken lines in the various Figures are for illustrating environmental structure and are not part of the claimed design.

1 Claim, 6 Drawing Sheets



(56)

References Cited

U.S. PATENT DOCUMENTS

D677,140 S * 3/2013 Krohmer D8/72
8,632,240 B2 1/2014 Tang et al.
D788,561 S * 6/2017 Miller D8/72
D793,835 S * 8/2017 Cerezo Lotina D8/72
D798,126 S * 9/2017 Ursell B25H 1/04
D8/71
D798,697 S * 10/2017 Roy D8/382
D804,926 S * 12/2017 Atkinson D8/71
D820,059 S * 6/2018 Biec D8/47
2015/0343607 A1 12/2015 Wang

FOREIGN PATENT DOCUMENTS

GB 2339402 7/1998
WO 1997043094 11/1997

* cited by examiner

FIG. 1

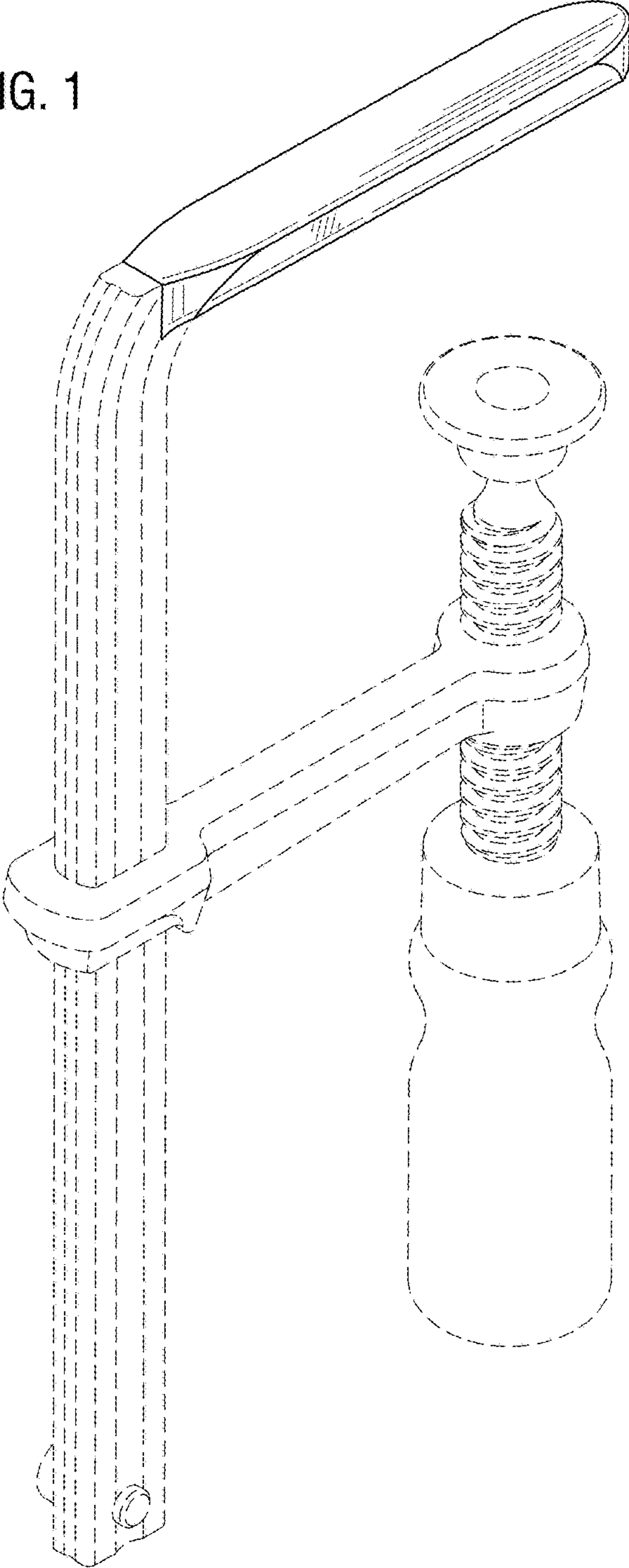


FIG. 2

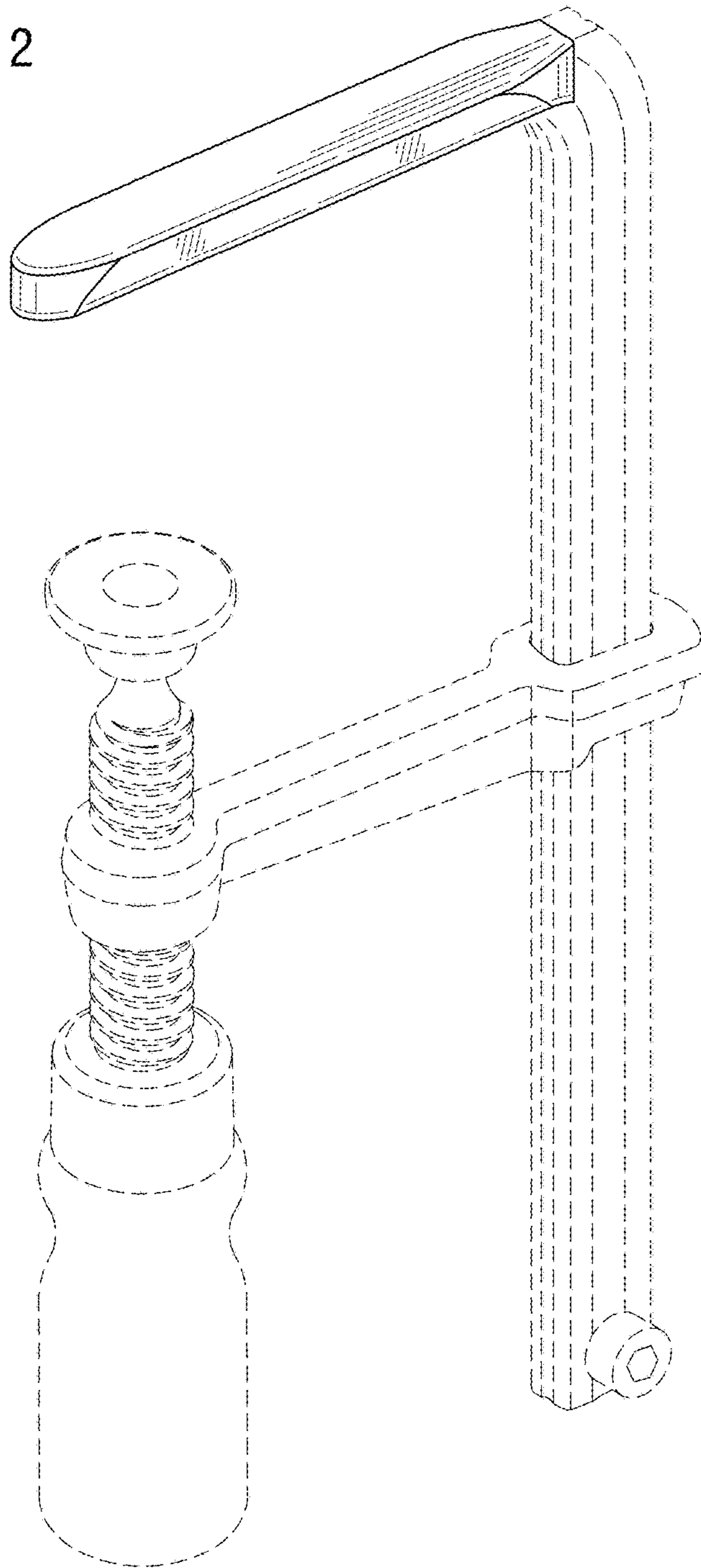


FIG. 3

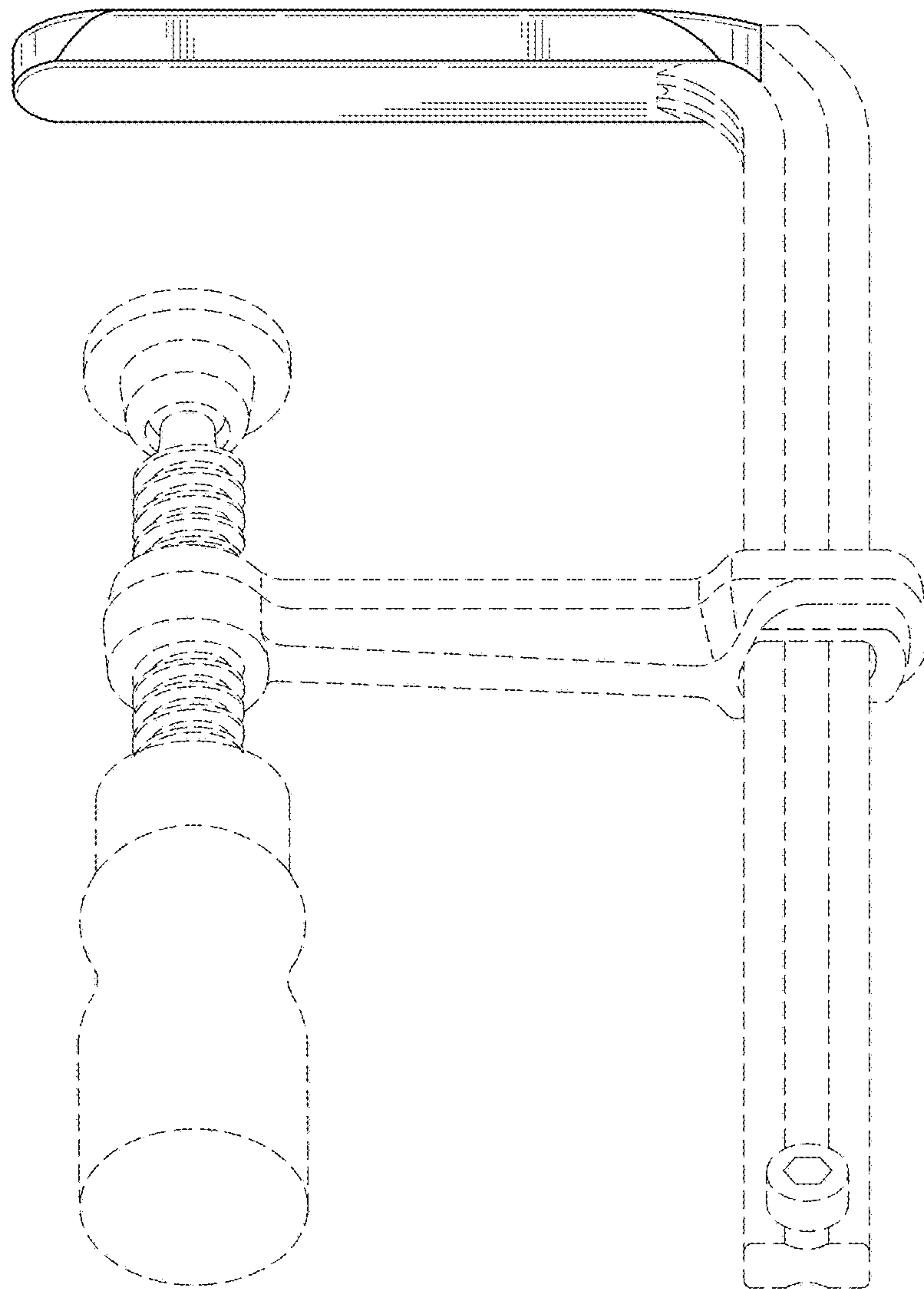


FIG. 4

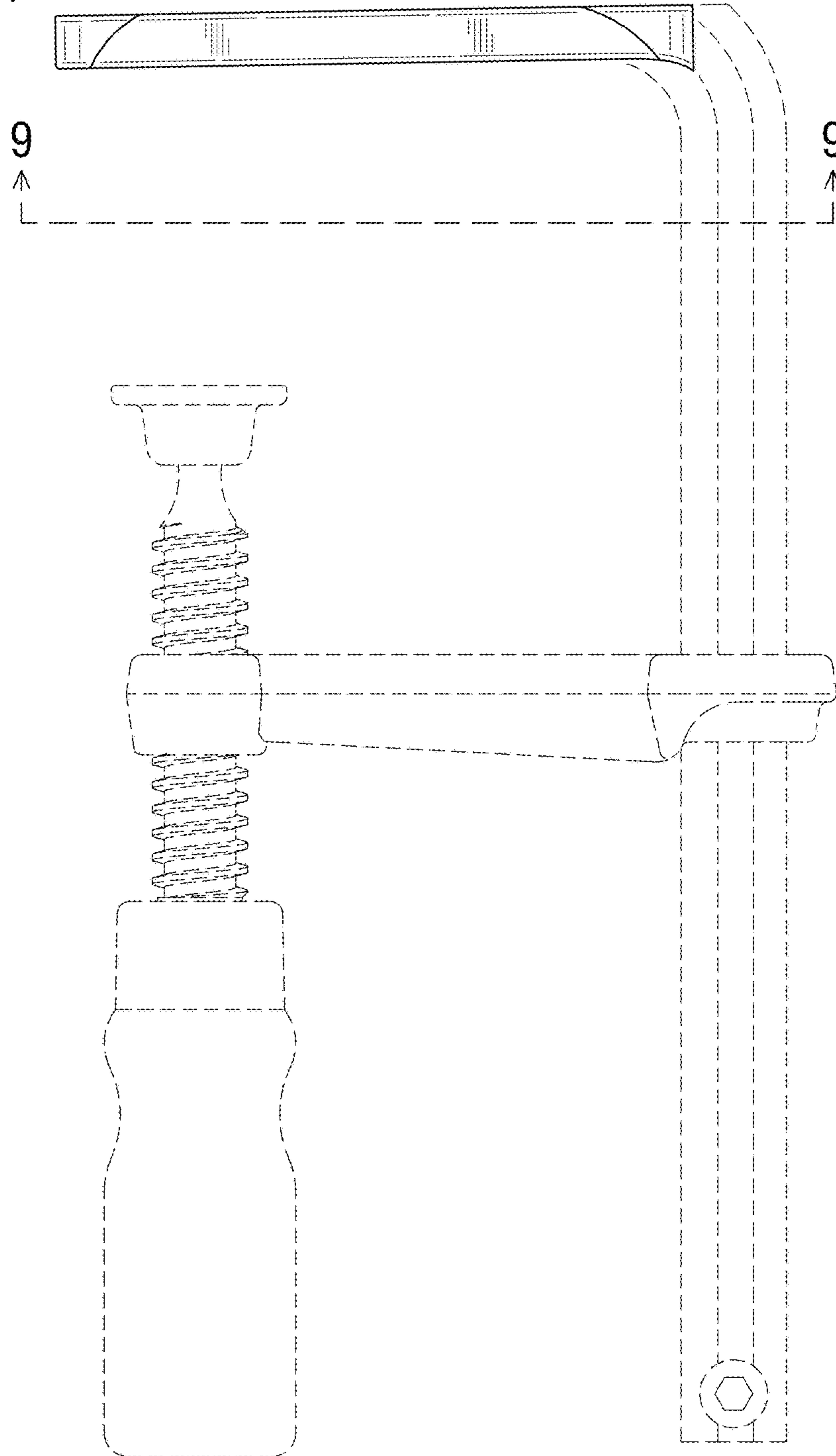


FIG. 5

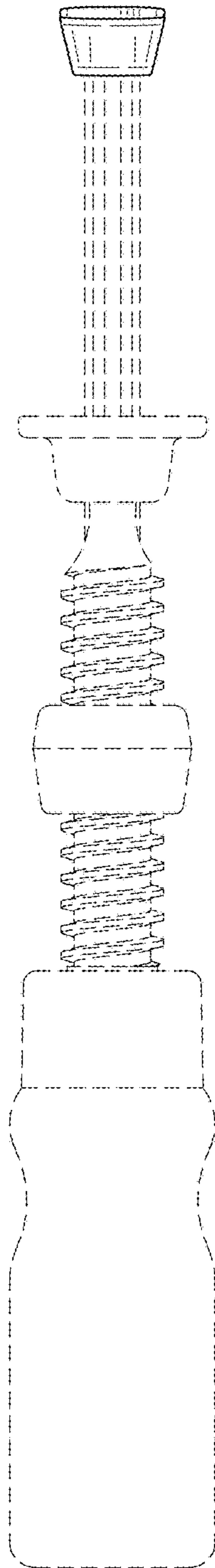


FIG. 6

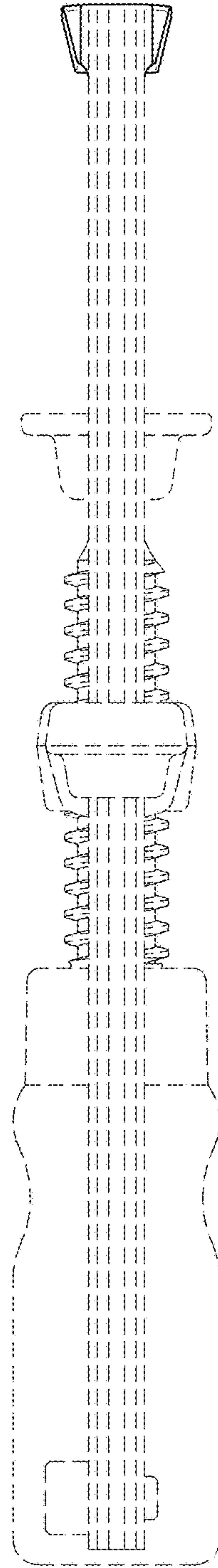


FIG. 7

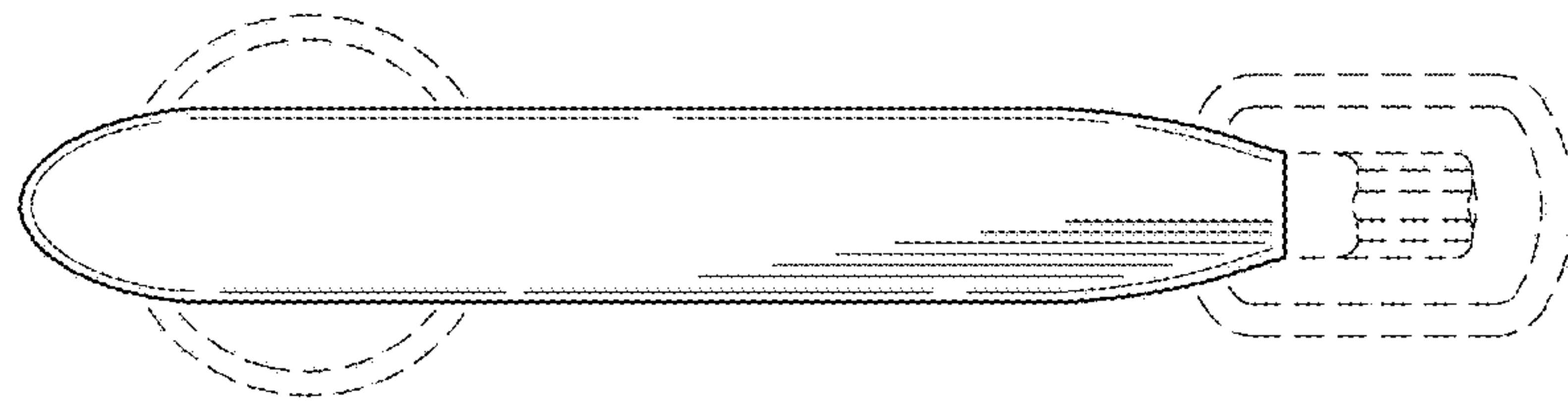


FIG. 8

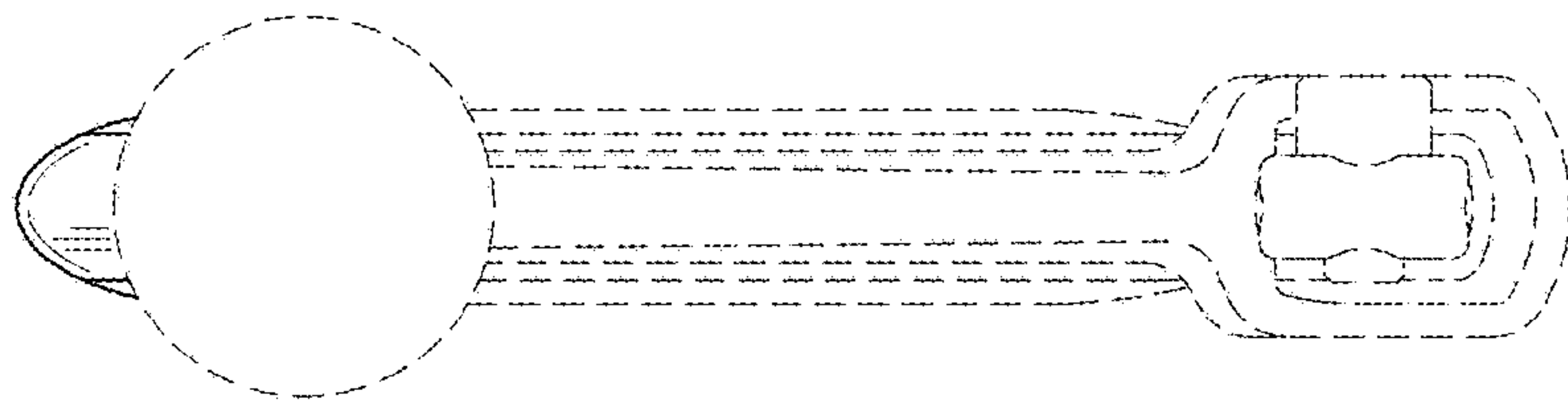


FIG. 9

