

US00D846364S

(12) **United States Design Patent** (10) **Patent No.:** **US D846,364 S**
Candaux et al. (45) **Date of Patent:** **** Apr. 23, 2019**

(54) **LOPPER**

(71) Applicant: **FELCO SA**, Les
Geneveys-sur-Coffrane (CH)

(72) Inventors: **Anne-Catherine Candaux**, Gorgier
(CH); **Paolo Fancelli**, Biasca (CH)

(**) Term: **15 Years**

(21) Appl. No.: **35/504,532**

(22) Filed: **Aug. 30, 2017**

(80) **Hague Agreement Data**
 Int. Filing Date: **Aug. 30, 2017**
 Int. Reg. No.: **DM/097540**
 Int. Reg. Date: **Aug. 30, 2017**
 Int. Reg. Pub. Date: **Mar. 2, 2018**

(51) **LOC (11) Cl.** **08-01**

(52) **U.S. Cl.**
USPC **D8/5**

(58) **Field of Classification Search**
 USPC D8/4, 5, 51, 52, 54, 58
 CPC A01G 3/02; A01G 3/025; A01G 3/0251;
 A01G 3/0255
 See application file for complete search history.

(56) **References Cited**

U.S. PATENT DOCUMENTS

5,787,589 A * 8/1998 Auderset A01G 3/02
30/261

D405,663 S * 2/1999 Deville D8/5

D500,941 S * 1/2005 Tatic D8/5

D501,765 S * 2/2005 Tatic D8/5

D502,068 S * 2/2005 Tatic D8/5

D578,360 S * 10/2008 Nellenbach D8/4

D606,816 S * 12/2009 Deville D8/5

D620,770 S * 8/2010 Weigand D8/5

D634,993 S * 3/2011 Huang D8/5

D635,416 S * 4/2011 Huang D8/5

D635,418 S * 4/2011 Huang D8/5

D638,675 S * 5/2011 Huang D8/5

D638,676 S * 5/2011 Huang D8/5

D646,534 S * 10/2011 Deville D8/5

D691,004 S * 10/2013 Masalin D8/4

D762,094 S * 7/2016 Deville D8/5

D781,672 S * 3/2017 Wu D8/5

D781,673 S * 3/2017 Sokka D8/5

D787,284 S * 5/2017 Wu D8/5

D790,935 S * 7/2017 Wu D8/5

D793,824 S * 8/2017 Sokka D8/5

D802,384 S * 11/2017 Wolf D8/4

D810,524 S * 2/2018 Hsu D8/5

D813,620 S * 3/2018 Janson D8/5

2011/0203117 A1* 8/2011 Huang A01G 3/0251
30/254

2013/0047442 A1* 2/2013 Wu A01G 3/0251
30/260

* cited by examiner

Primary Examiner — Deanna L Pratt

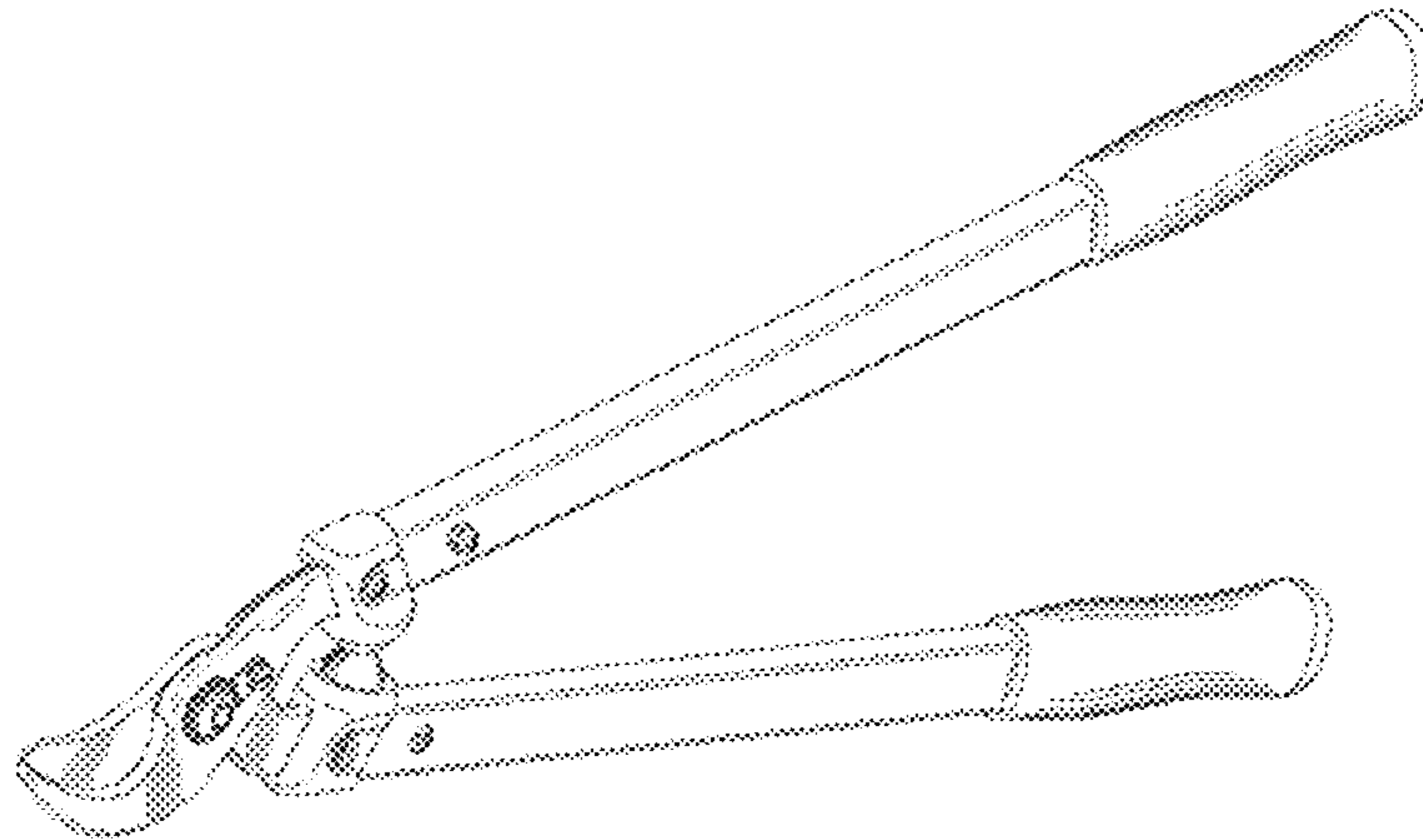
(57) **CLAIM**

The ornamental design for a lopper, as shown and described.

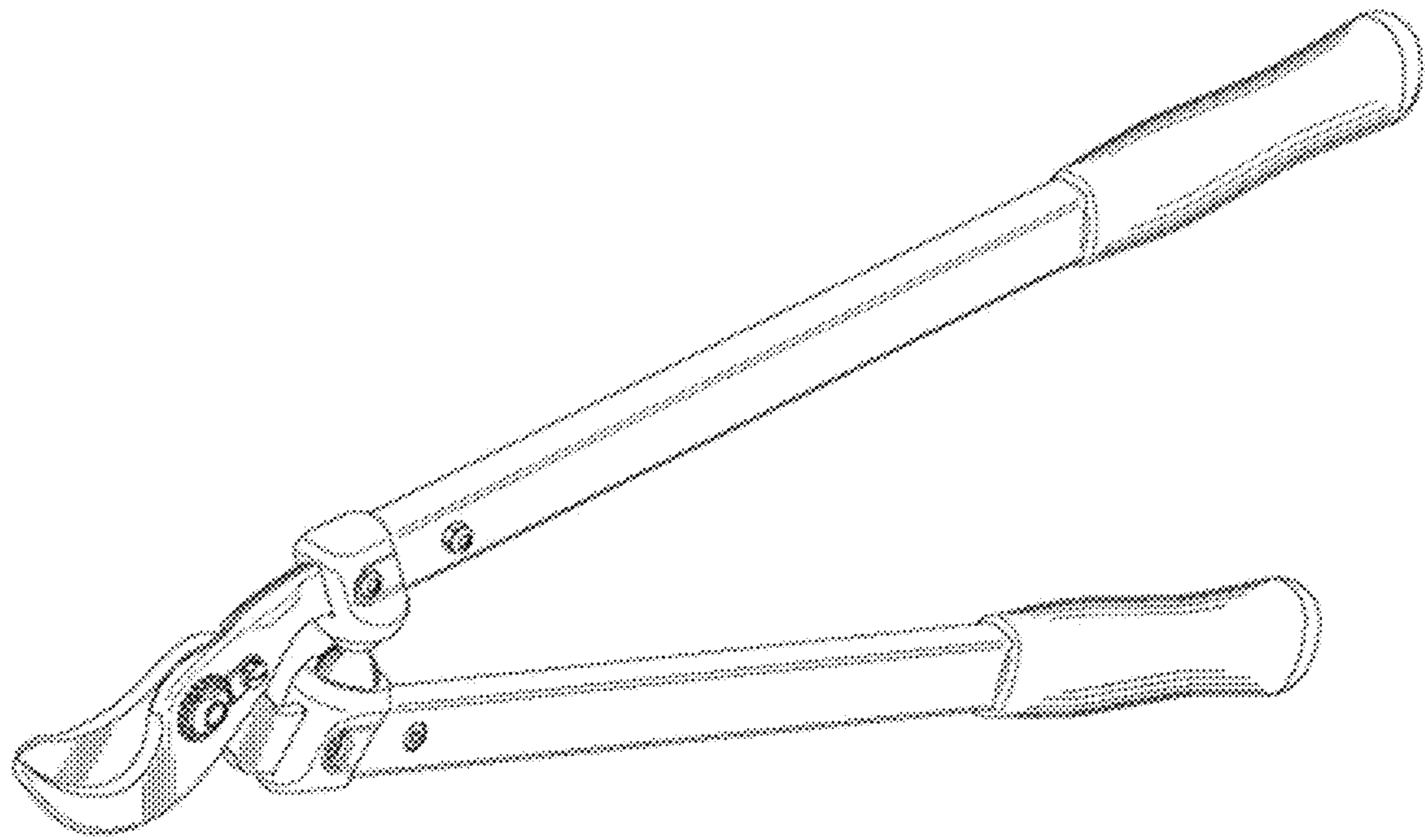
DESCRIPTION

- 1. Lopper
- 1.1 : Perspective
- 1.2 : Perspective
- 1.3 : Left
- 1.4 : Right
- 1.5 : Bottom
- 1.6 : Top
- 1.7 : Back
- 1.8 : Front

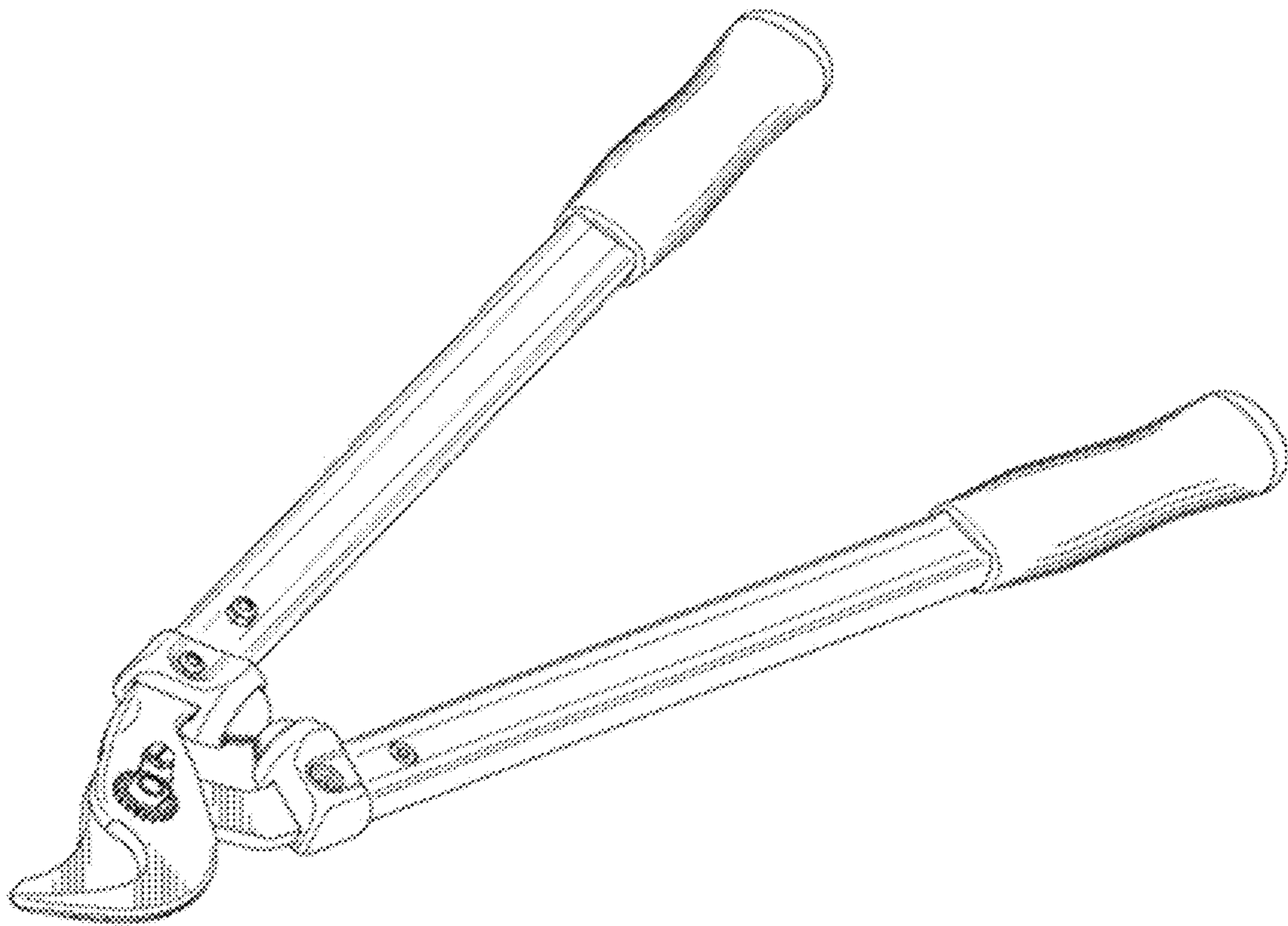
1 Claim, 8 Drawing Sheets



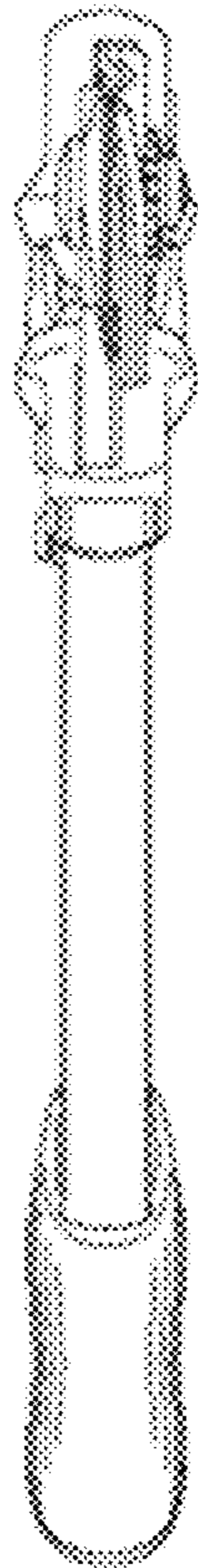
1.1



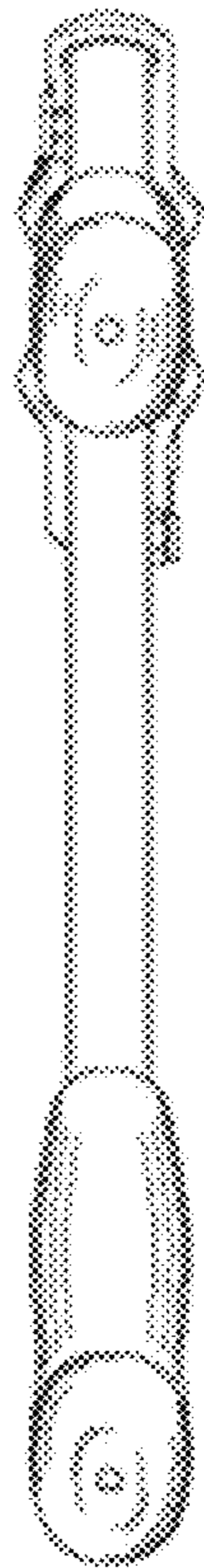
1.2



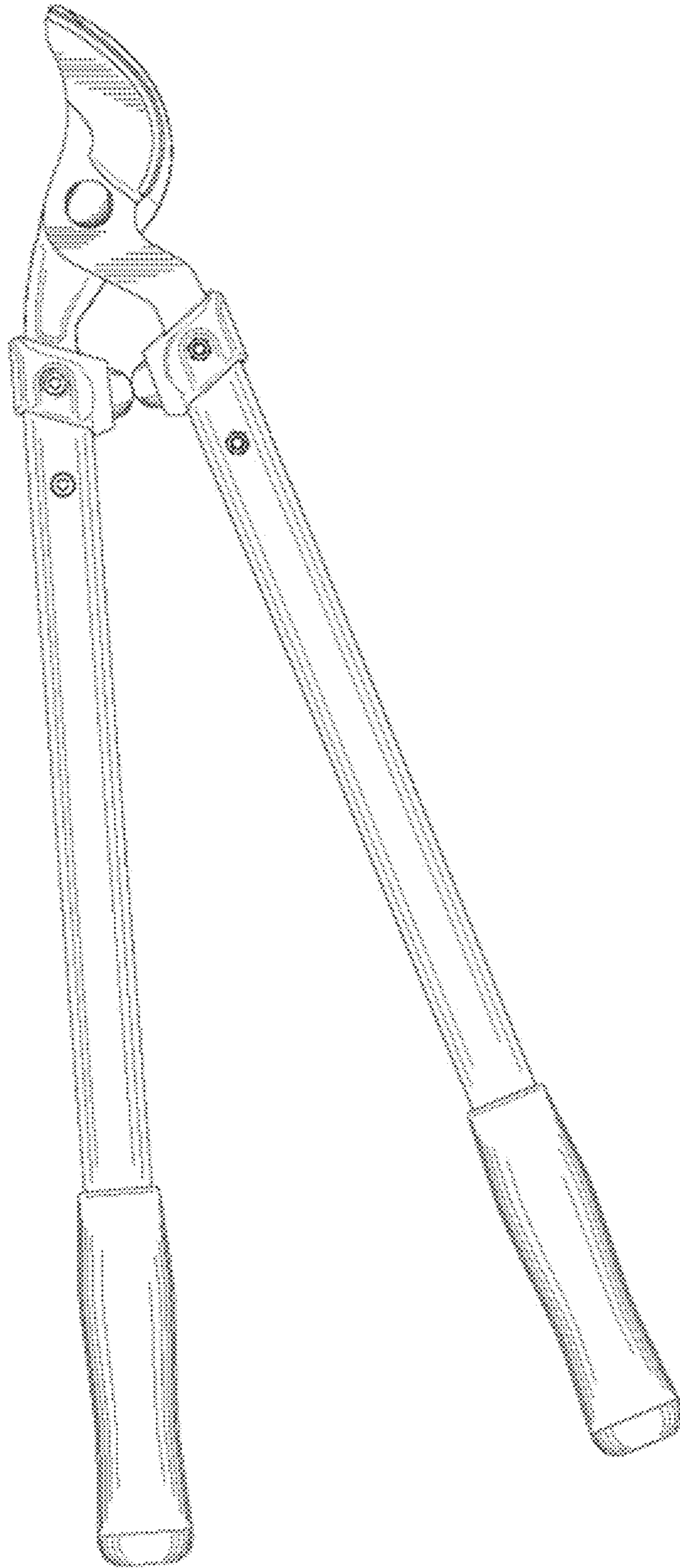
1.3



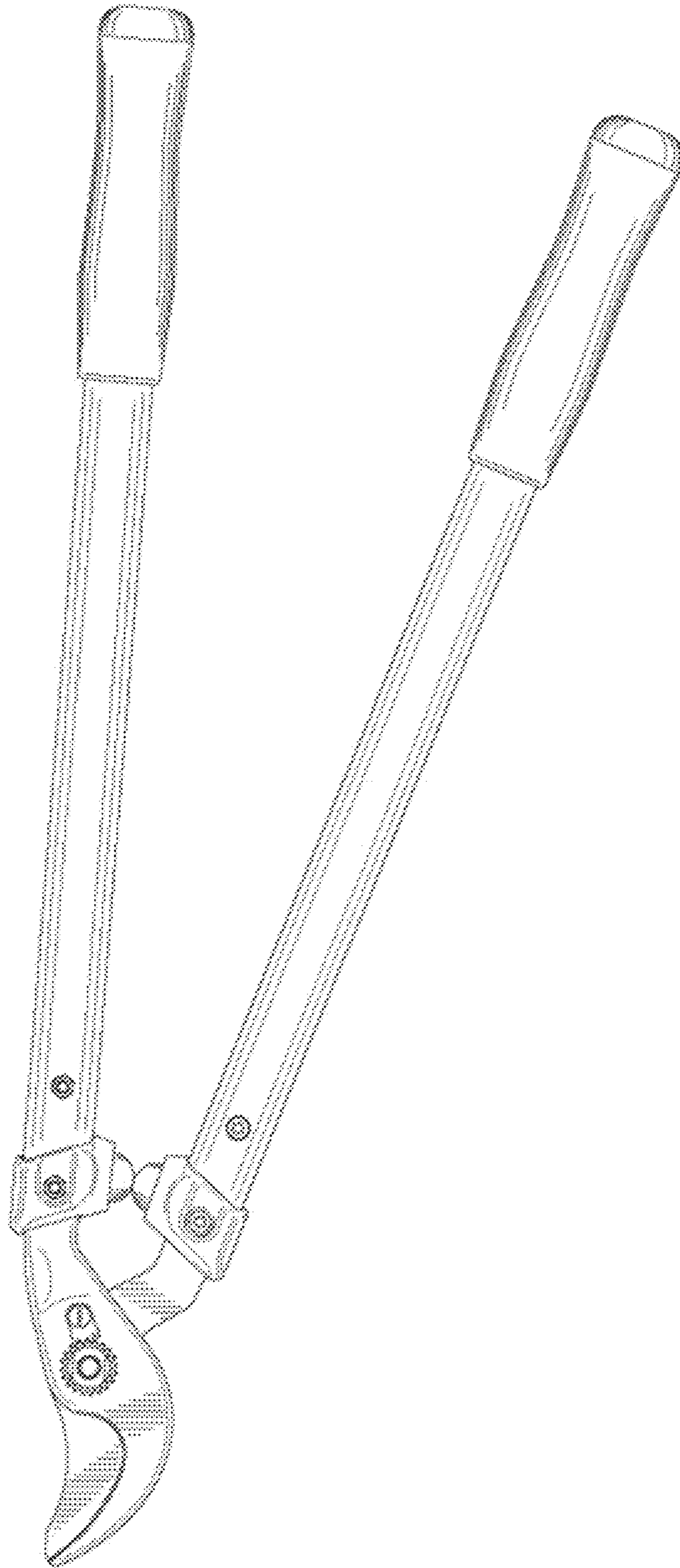
1.4



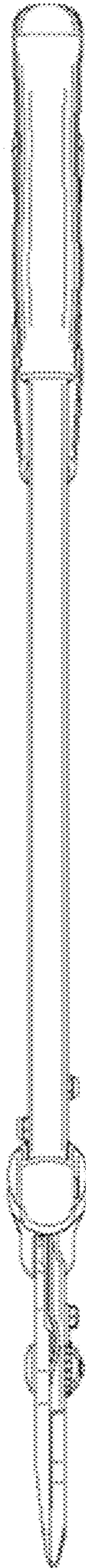
1.5



1.6



1.7



1.8

