



US00D846363S

(12) **United States Design Patent**
Agahian et al.

(10) **Patent No.:** **US D846,363 S**
(45) **Date of Patent:** **** Apr. 23, 2019**

- (54) **BAMBOO CHEESE BOARD**
- (71) Applicants: **Kambiz Agahian**, Coto de Caza, CA (US); **Azadeh Bostan**, Coto de Caza, CA (US)
- (72) Inventors: **Kambiz Agahian**, Coto de Caza, CA (US); **Azadeh Bostan**, Coto de Caza, CA (US)
- (**) Term: **15 Years**
- (21) Appl. No.: **29/635,808**
- (22) Filed: **Feb. 2, 2018**
- (51) **LOC (11) Cl.** **07-04**
- (52) **U.S. Cl.**
USPC **D7/698**
- (58) **Field of Classification Search**
USPC .. D7/543, 549, 550.1, 554.3, 586, 698-699;
D32/55-57
CPC A47J 47/00; A47J 47/005; A47J 47/20;
B26D 7/0006; B26D 7/018; B26D 7/20;
B23D 21/00; B23K 37/04; B23K 37/053;
B23Q 16/001; B25H 1/00
See application file for complete search history.

(56) **References Cited**

U.S. PATENT DOCUMENTS

- 157,283 A * 12/1874 Gurney B25H 1/00
269/16
- D267,463 S * 1/1983 Thompson D6/664
- D327,200 S * 6/1992 Szablak D7/550.1
- D357,847 S * 5/1995 Hoffman D7/698
- 6,341,770 B1 * 1/2002 Landherr A47J 47/005
269/289 R
- 6,651,970 B2 * 11/2003 Scott A47J 47/005
269/13

- D587,031 S * 2/2009 Pourounidis A47J 47/005
D7/698
- 7,758,029 B2 * 7/2010 Lim A47J 47/005
269/289 R
- D679,557 S * 4/2013 Wardell D7/698
- D687,269 S * 8/2013 Guy D7/698
- D760,558 S * 7/2016 Whitlock D7/698
- 2006/0085989 A1 * 4/2006 Kuan Huo A47J 47/005
30/151
- 2009/0200723 A1 * 8/2009 Lim A47J 47/005
269/289 R

* cited by examiner

Primary Examiner — Ricky Pham

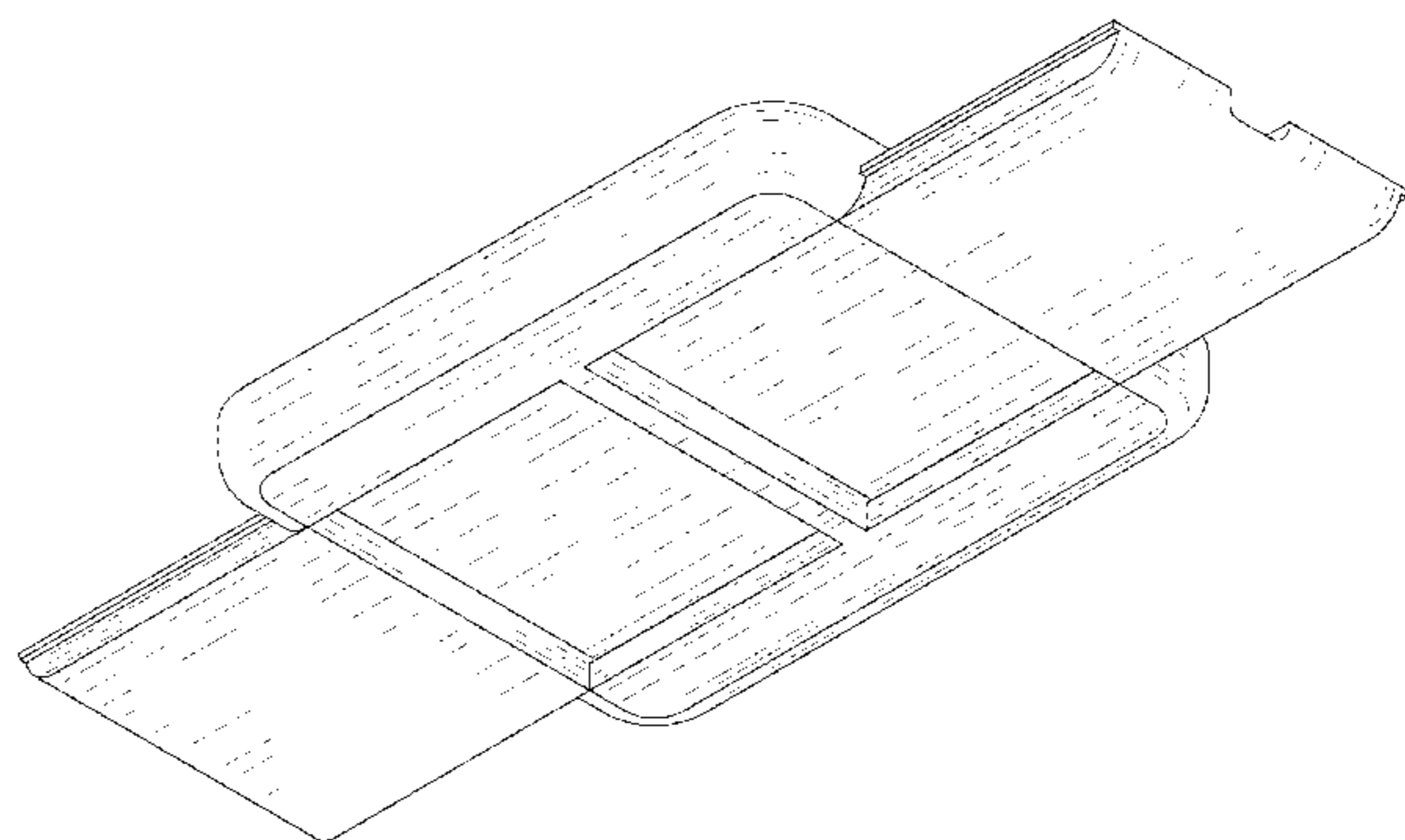
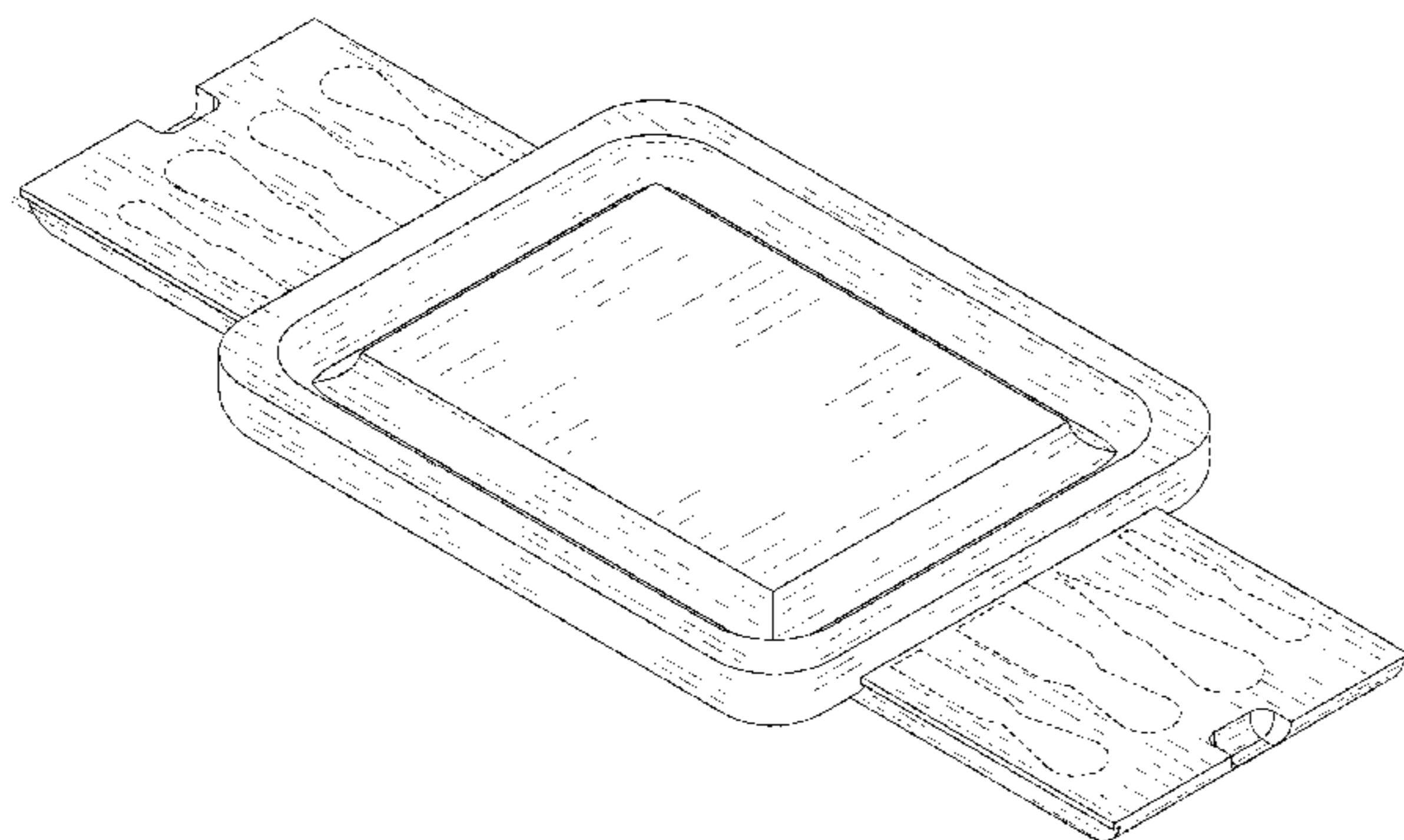
(57) **CLAIM**

The ornamental design for a bamboo cheese board, as shown and described.

DESCRIPTION

FIG. 1 is a top perspective view of a bamboo cheese board showing our new design;
 FIG. 2 is a bottom perspective view thereof;
 FIG. 3 is a front view thereof;
 FIG. 4 is a back view thereof;
 FIG. 5 is a top view thereof;
 FIG. 6 is a bottom view thereof;
 FIG. 7 is a left view thereof;
 FIG. 8 is a right view thereof;
 FIG. 9 is a bottom perspective view, showing the bamboo cheese board in an alternate, closed configuration;
 FIG. 10 is a front view thereof;
 FIG. 11 is a top view thereof; and,
 FIG. 12 is a left view thereof.
 The broken lines showing of compartments in FIG. 1 and FIG. 5 are included for the purpose of showing environmental structure and form no part of the claimed design.

1 Claim, 12 Drawing Sheets



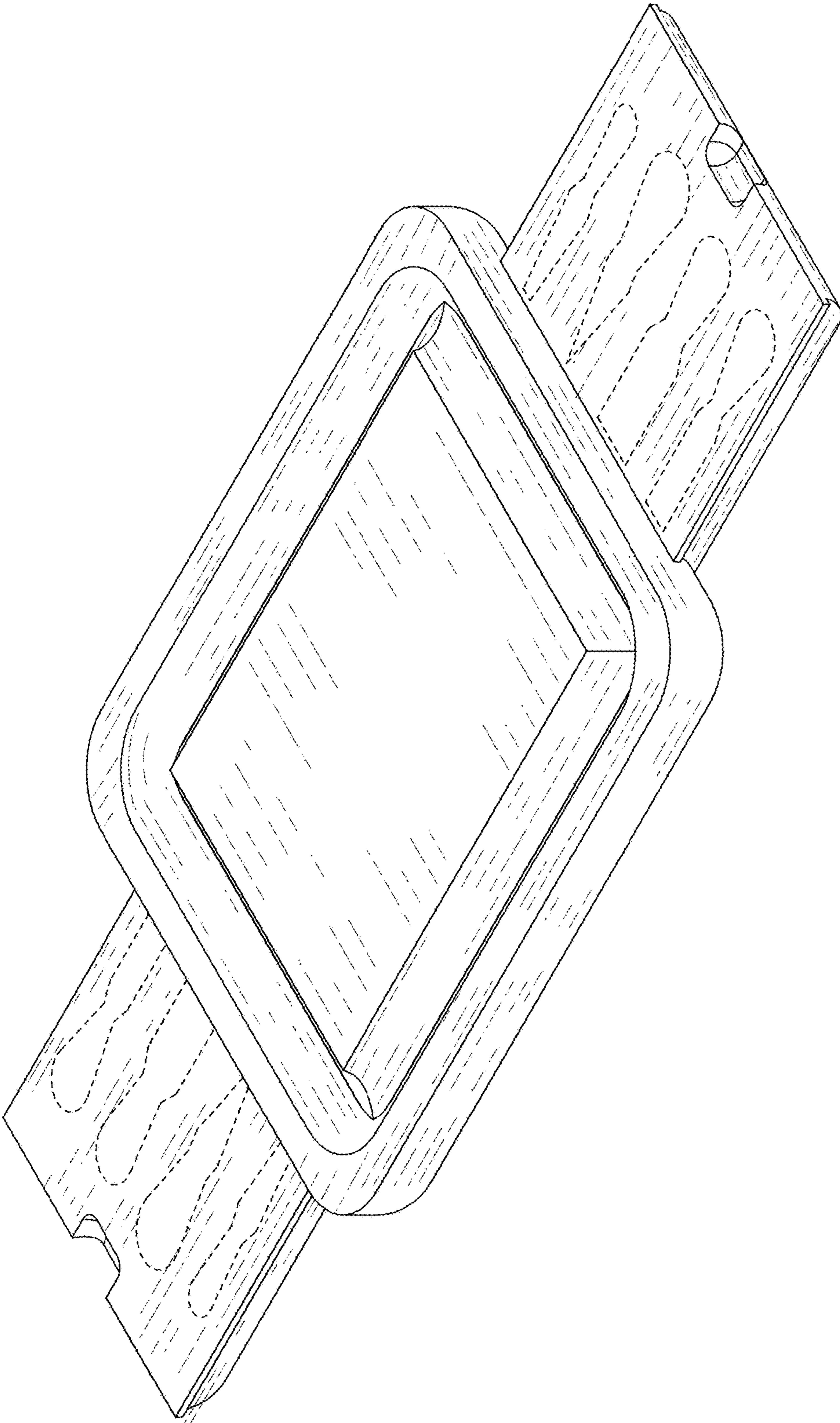


FIG. 1

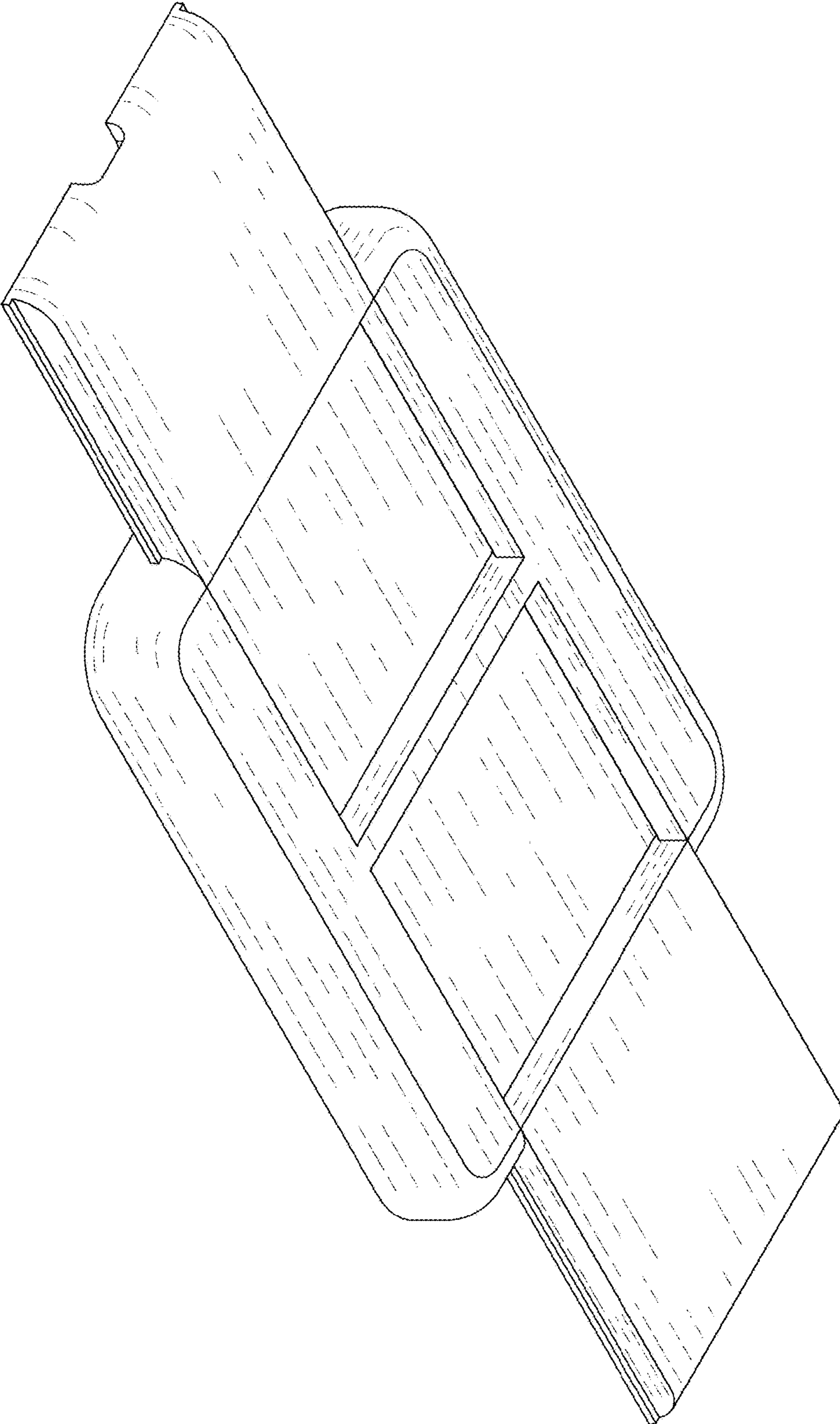


FIG. 2



FIG. 3

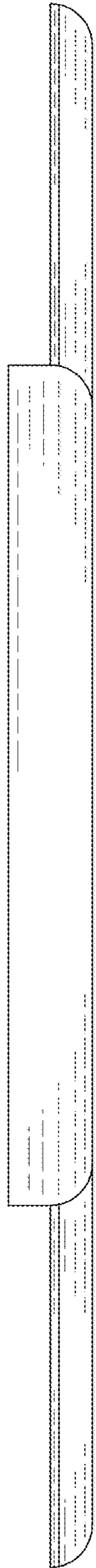


FIG. 4

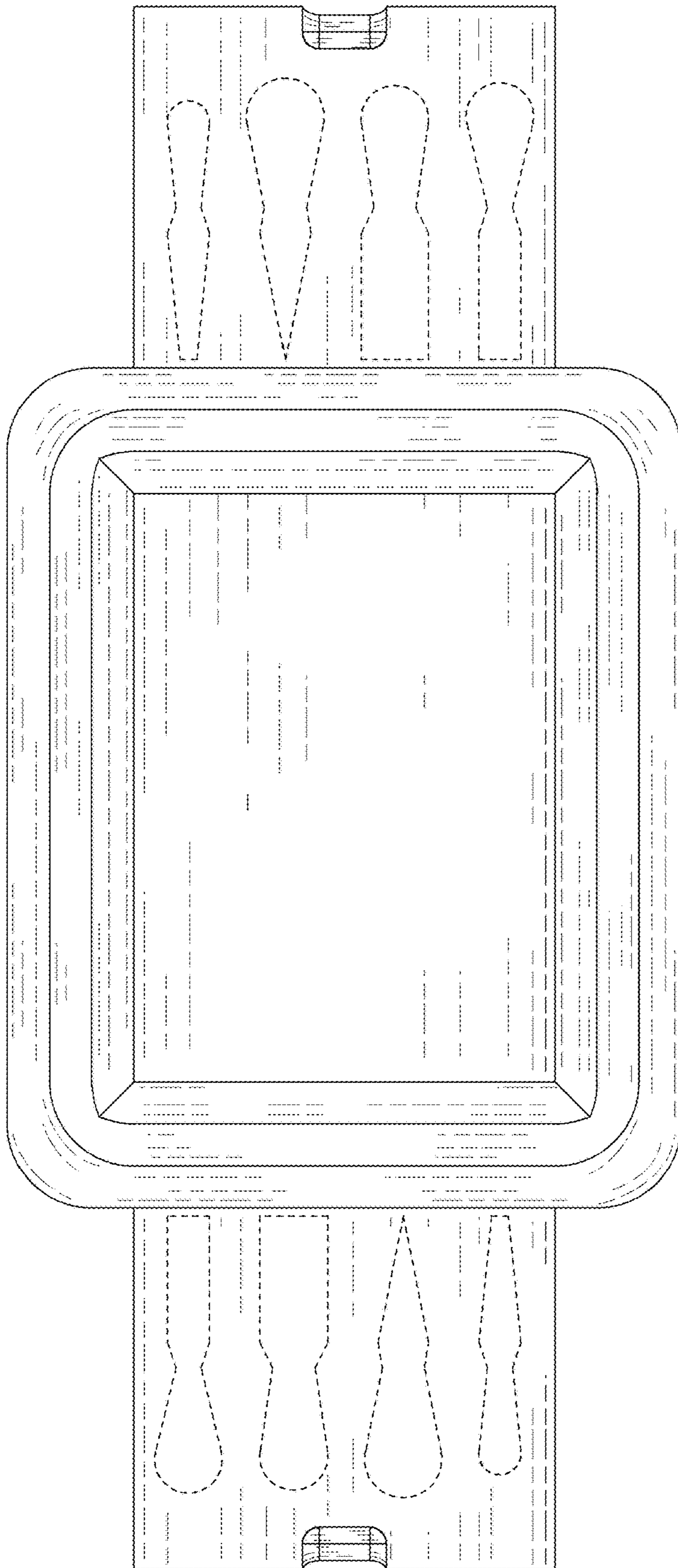


FIG. 5

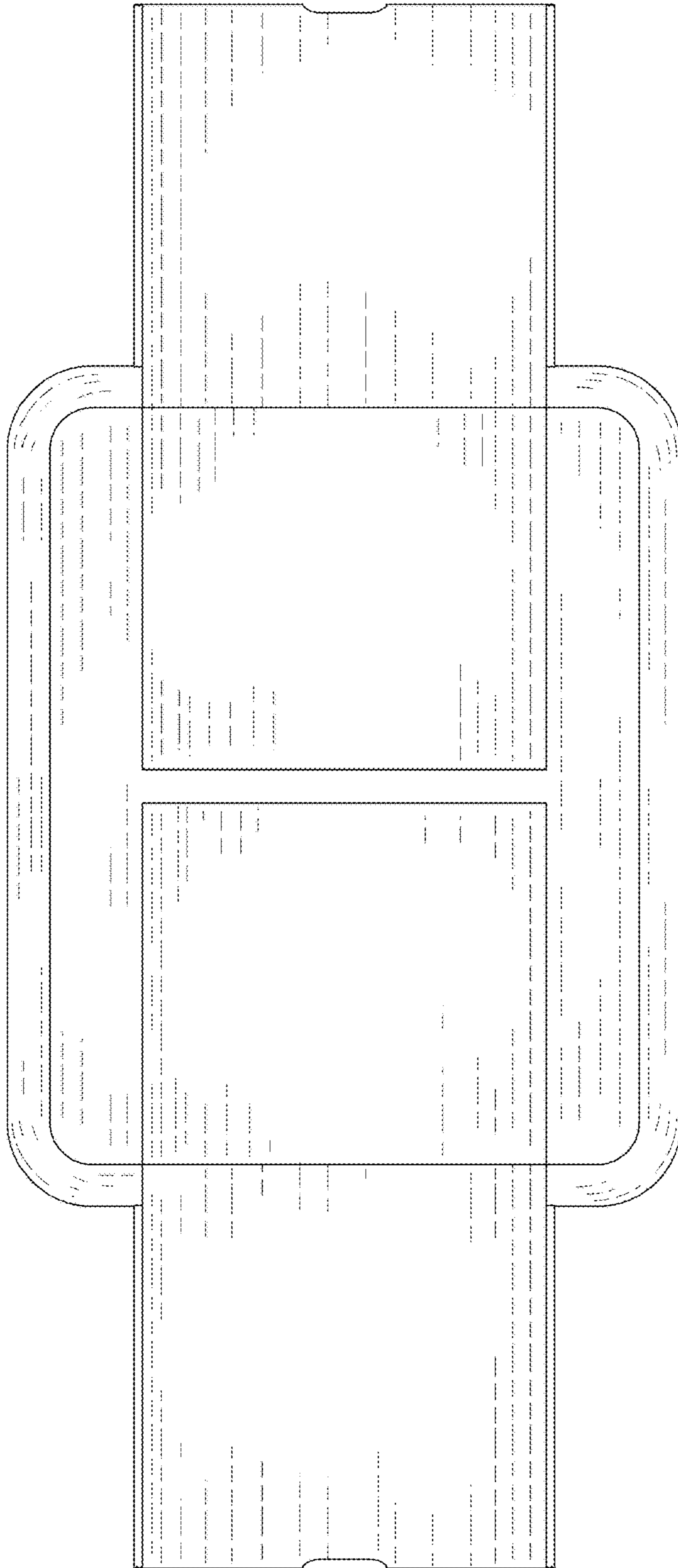


FIG. 6

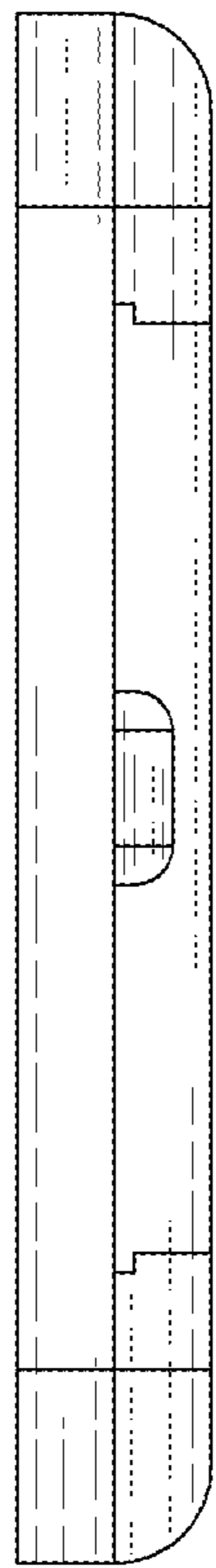


FIG. 7

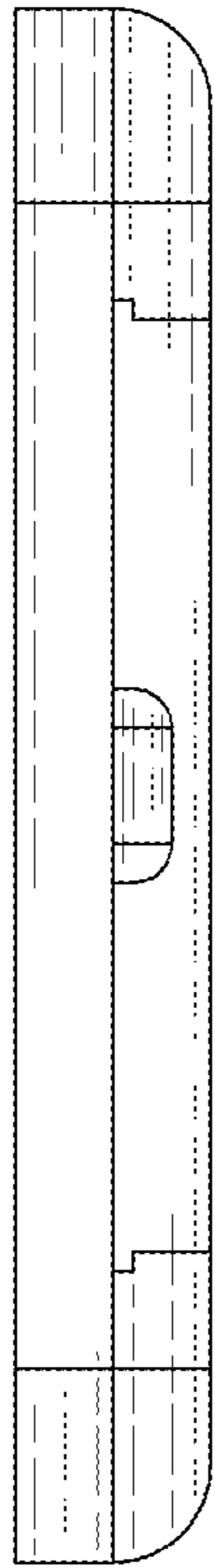


FIG. 8

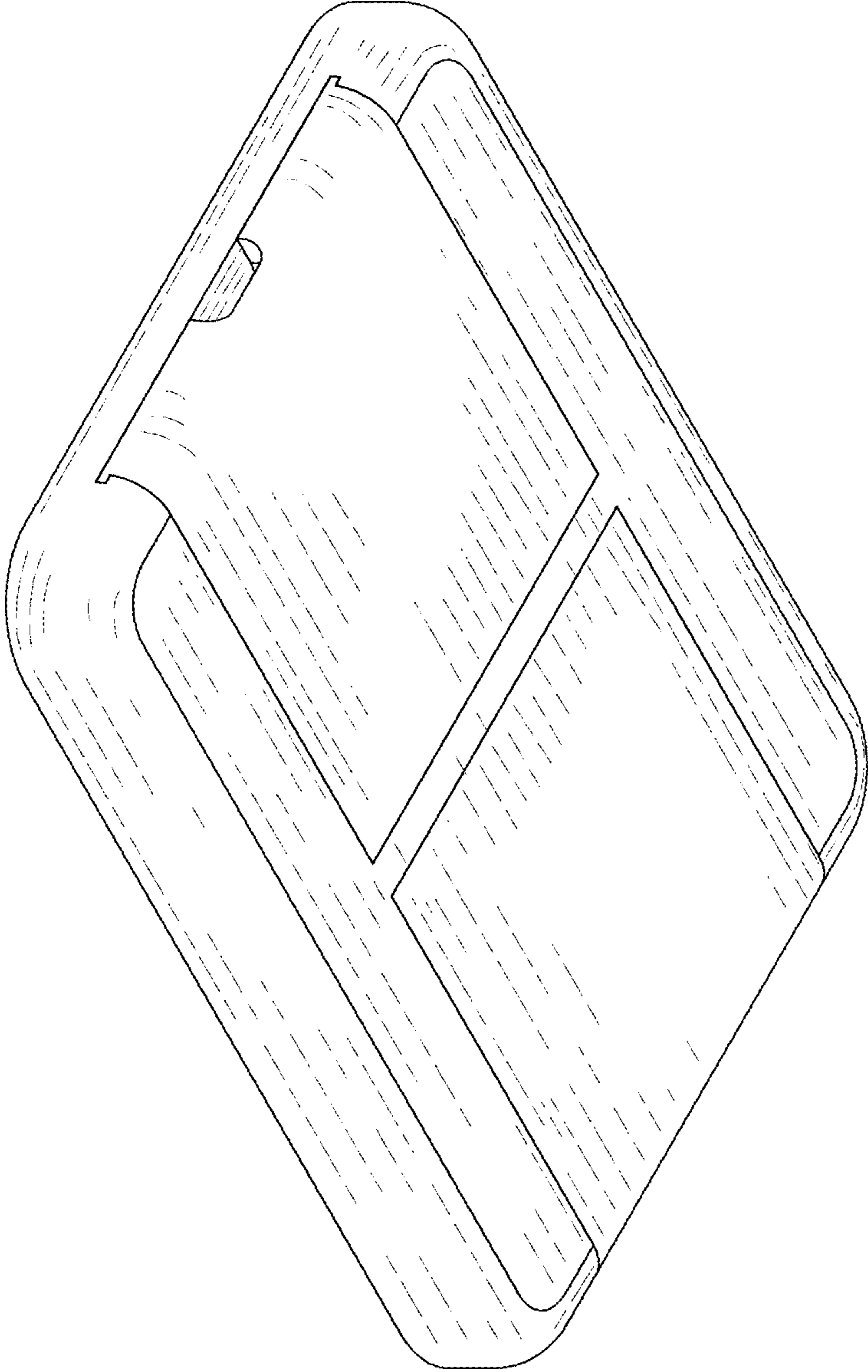


FIG. 9

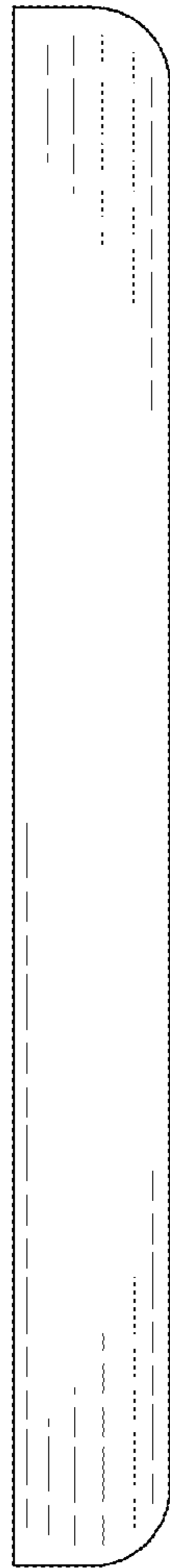


FIG. 10

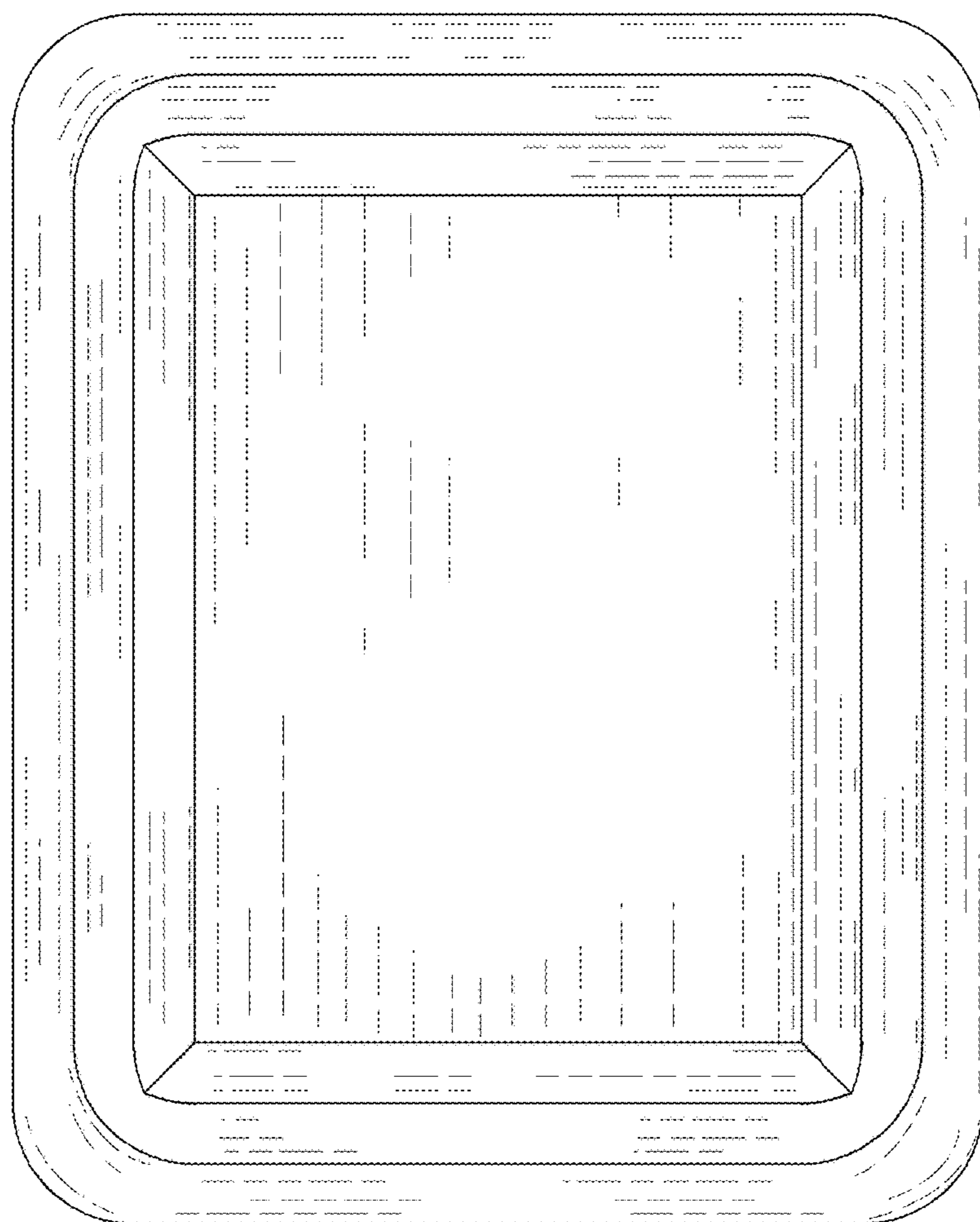


FIG. 11

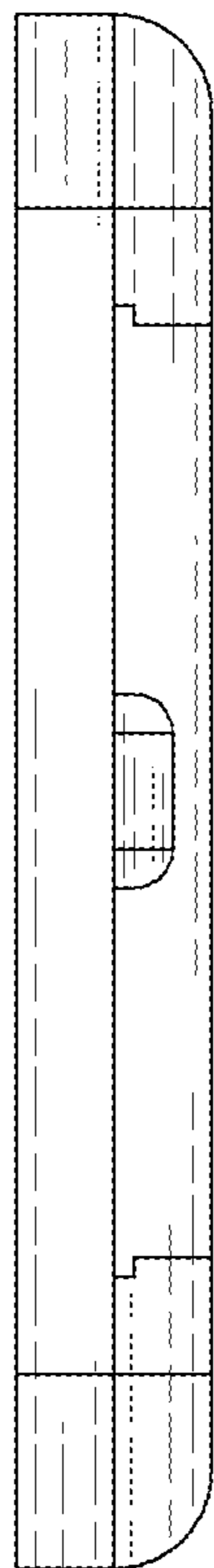


FIG. 12