



US00D846361S

(12) **United States Design Patent** (10) **Patent No.:** **US D846,361 S**
Williams (45) **Date of Patent:** **** Apr. 23, 2019**

(54) **FOOD EXTRUSION DIE** 7,585,531 B2 * 9/2009 Baumeister A23P 30/20
426/516
(71) Applicant: **Frito-Lay North America, Inc.**, Plano, TX (US) D658,456 S * 5/2012 Zorovich D7/672
D659,470 S * 5/2012 Narwankar D7/376
D689,341 S * 9/2013 Dooley D7/675
(72) Inventor: **Rogers Williams**, McKinney, TX (US) D689,342 S * 9/2013 Dooley D7/676
D732,976 S * 6/2015 Ellsworth D9/661
D742,692 S * 11/2015 Petrie D7/412
(73) Assignee: **Frito-Lay North America, Inc.**, Plano, TX (US) 2005/0048180 A1 * 3/2005 Moore A23P 30/25
426/516
2012/0040078 A1 * 2/2012 Narwankar A23L 1/16
426/618

(**) Term: **15 Years**

(21) Appl. No.: **29/583,962**

(22) Filed: **Nov. 10, 2016**

(51) **LOC (11) Cl.** **07-04**

(52) **U.S. Cl.**
USPC **D7/672**

(58) **Field of Classification Search**
USPC D7/672-677, 354, 357, 414; D15/90, 80;
30/316; 426/516
CPC F25C 1/04; F25C 1/22; F25C 1/24; A21B
3/13; B23G 9/26; B23G 9/503; B23G
9/221; B23G 9/083; A23P 30/20; A23P
30/10; A22C 7/003; A47J 43/20
See application file for complete search history.

(56) **References Cited**

U.S. PATENT DOCUMENTS

D322,736 S * 12/1991 Sutherland D7/412
5,230,156 A * 7/1993 Patenaude A47J 43/20
30/123.3
D445,005 S * 7/2001 Vargas D7/675
D445,315 S * 7/2001 Kapellas D7/675
D447,020 S * 8/2001 Kapellas D7/675

* cited by examiner

Primary Examiner — Brett Miller
(74) *Attorney, Agent, or Firm* — Colin P. Cahoon; Samie S. Leigh; Carstens & Cahoon, LLP

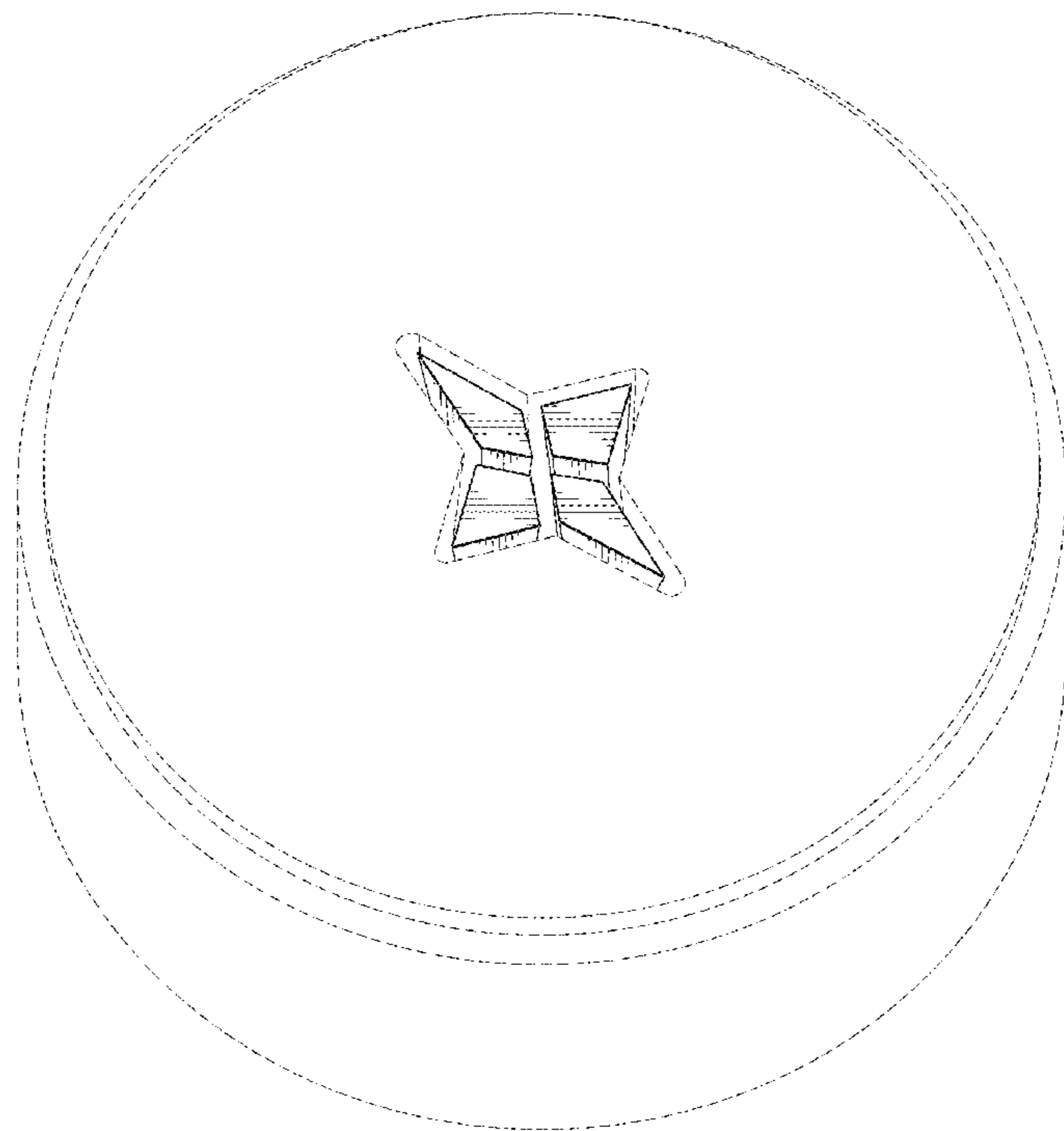
(57) **CLAIM**

The ornamental design for a food extrusion die, as shown and described.

DESCRIPTION

FIG. 1 is a first top perspective view of the present invention; FIG. 2 is a second top perspective view of the present invention;
FIG. 3 is a front elevation view of the present invention with the left elevation, right elevation, and rear elevation views identical to the front elevation view;
FIG. 4 is a top plan view of the present invention; and, FIG. 5 is a bottom plan view of the present invention.
The broken lines illustrate environmental features that form no part of the claimed invention.

1 Claim, 5 Drawing Sheets



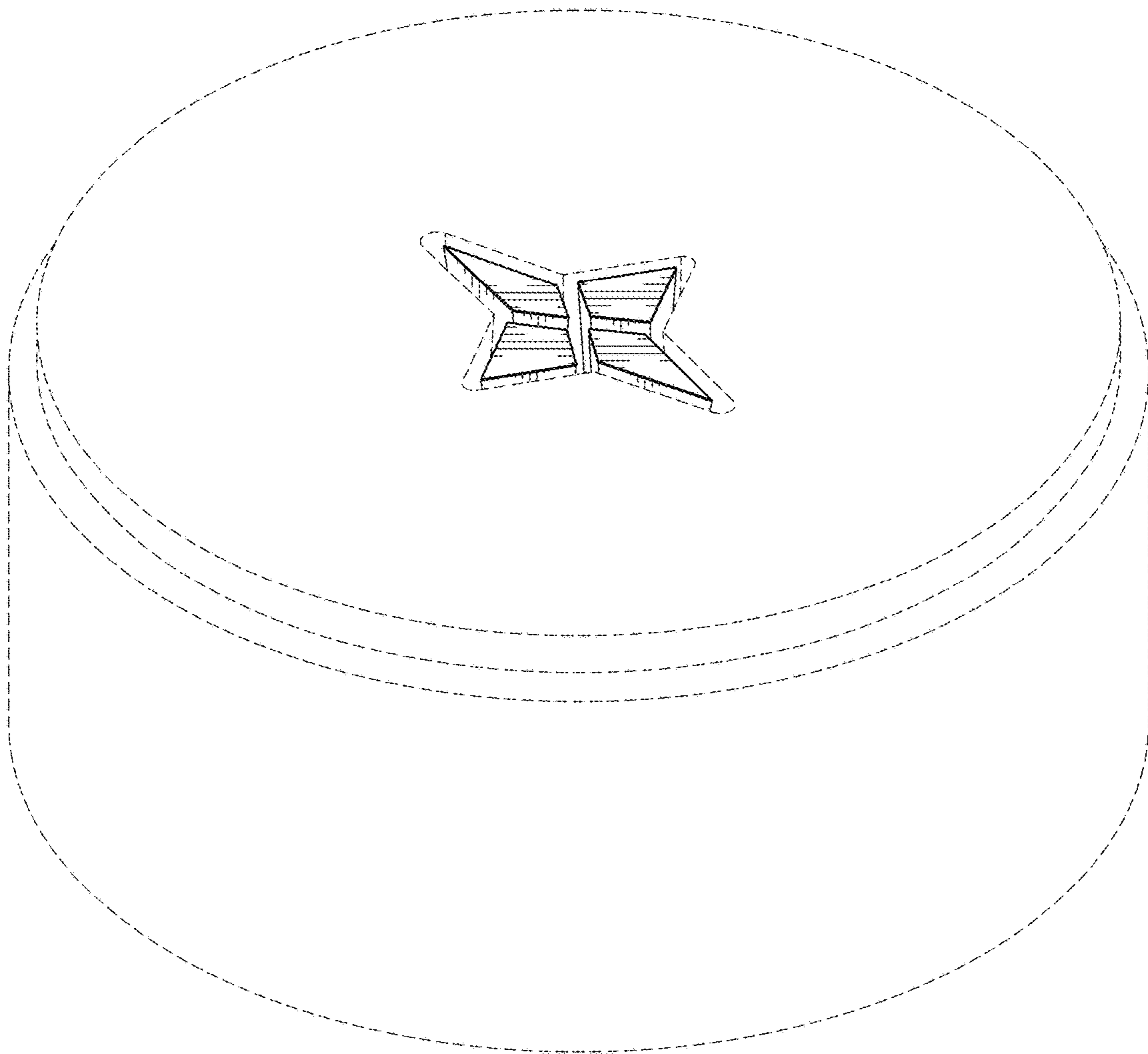


FIG. 1

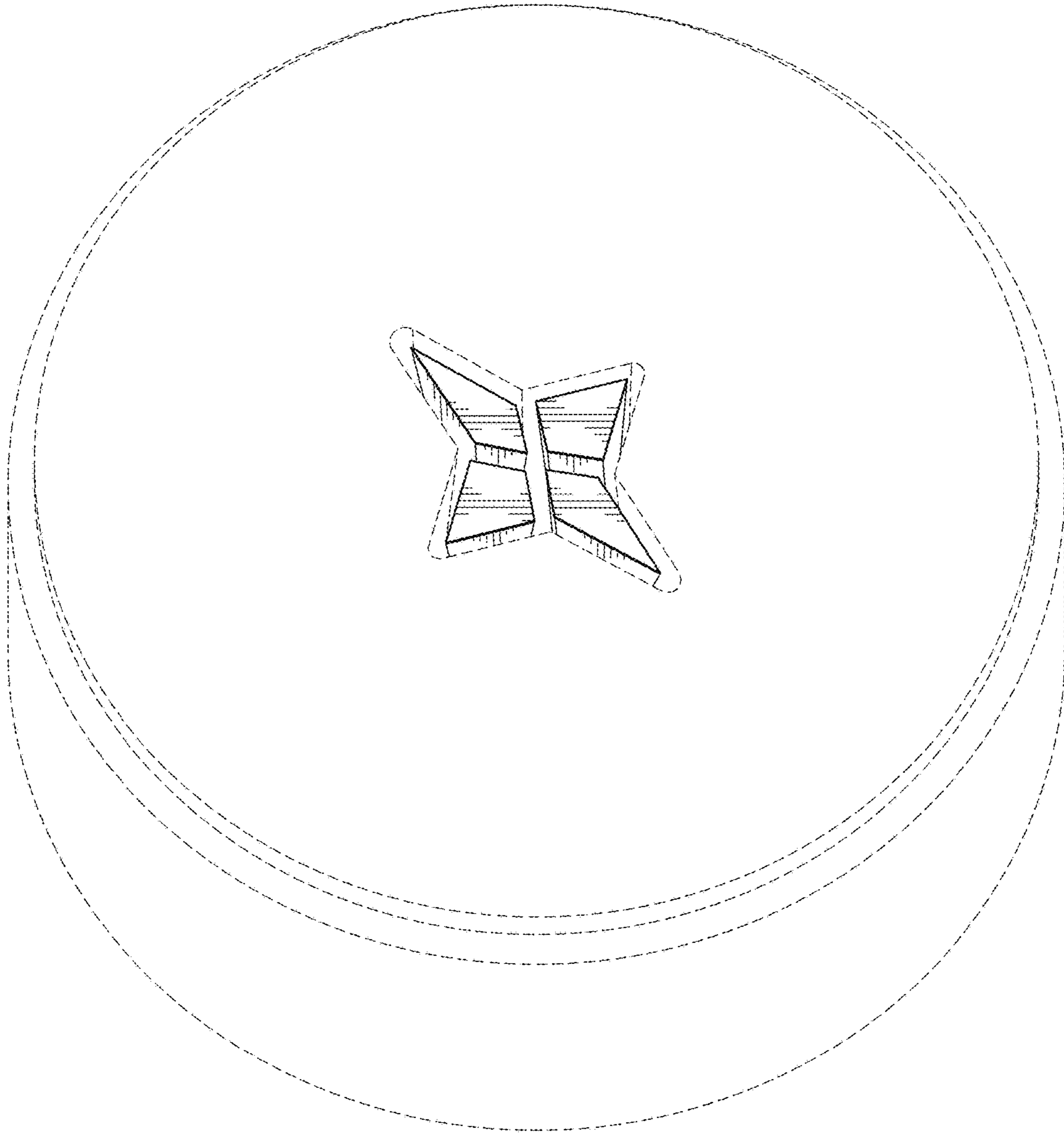


FIG. 2

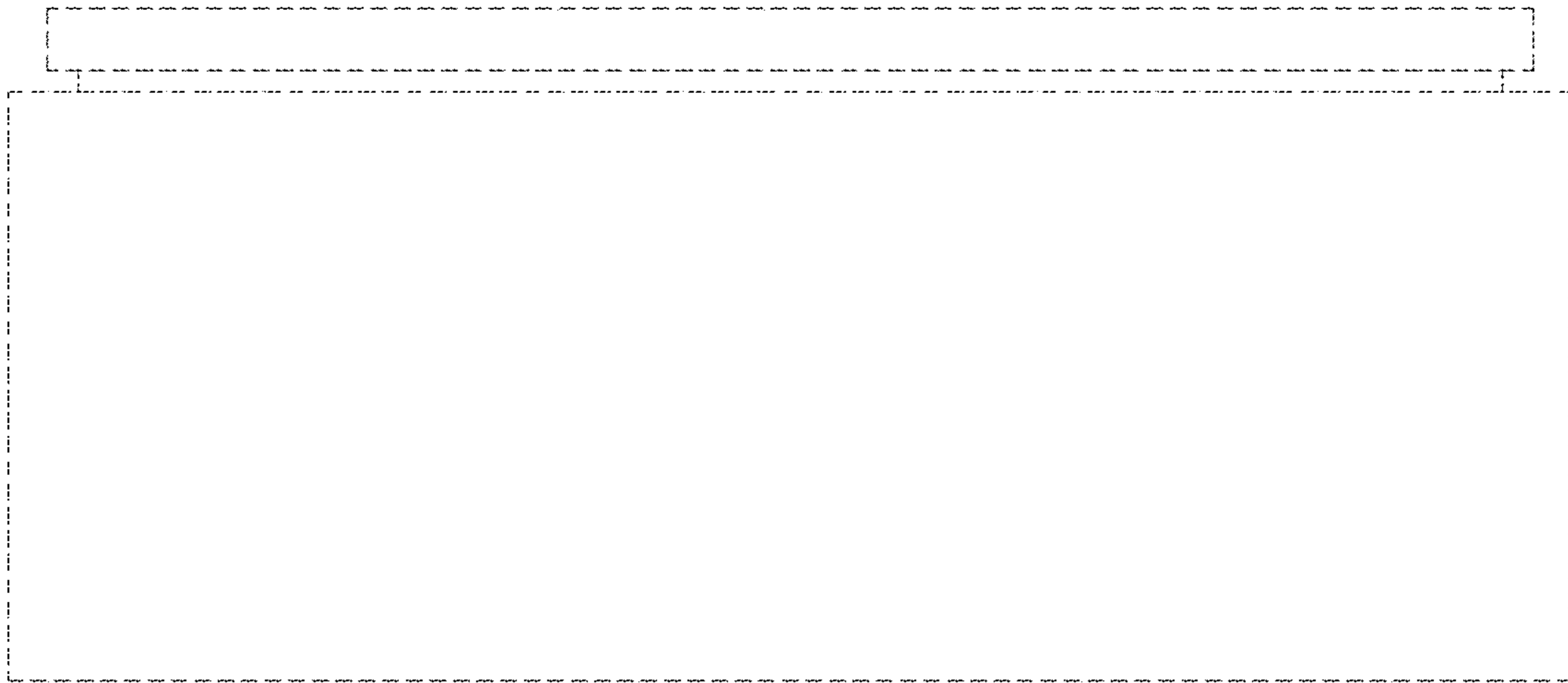


FIG. 3

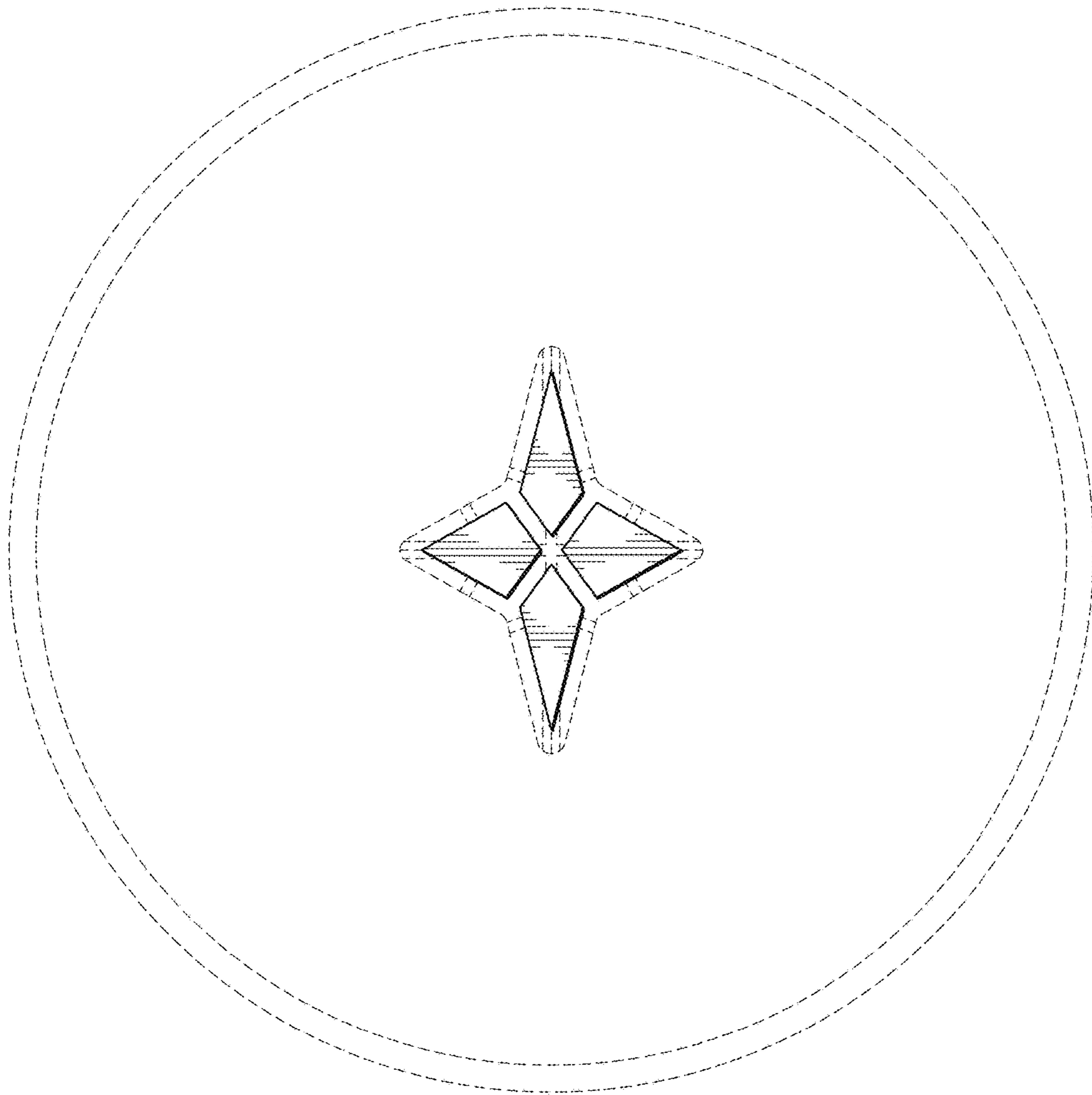


FIG. 4

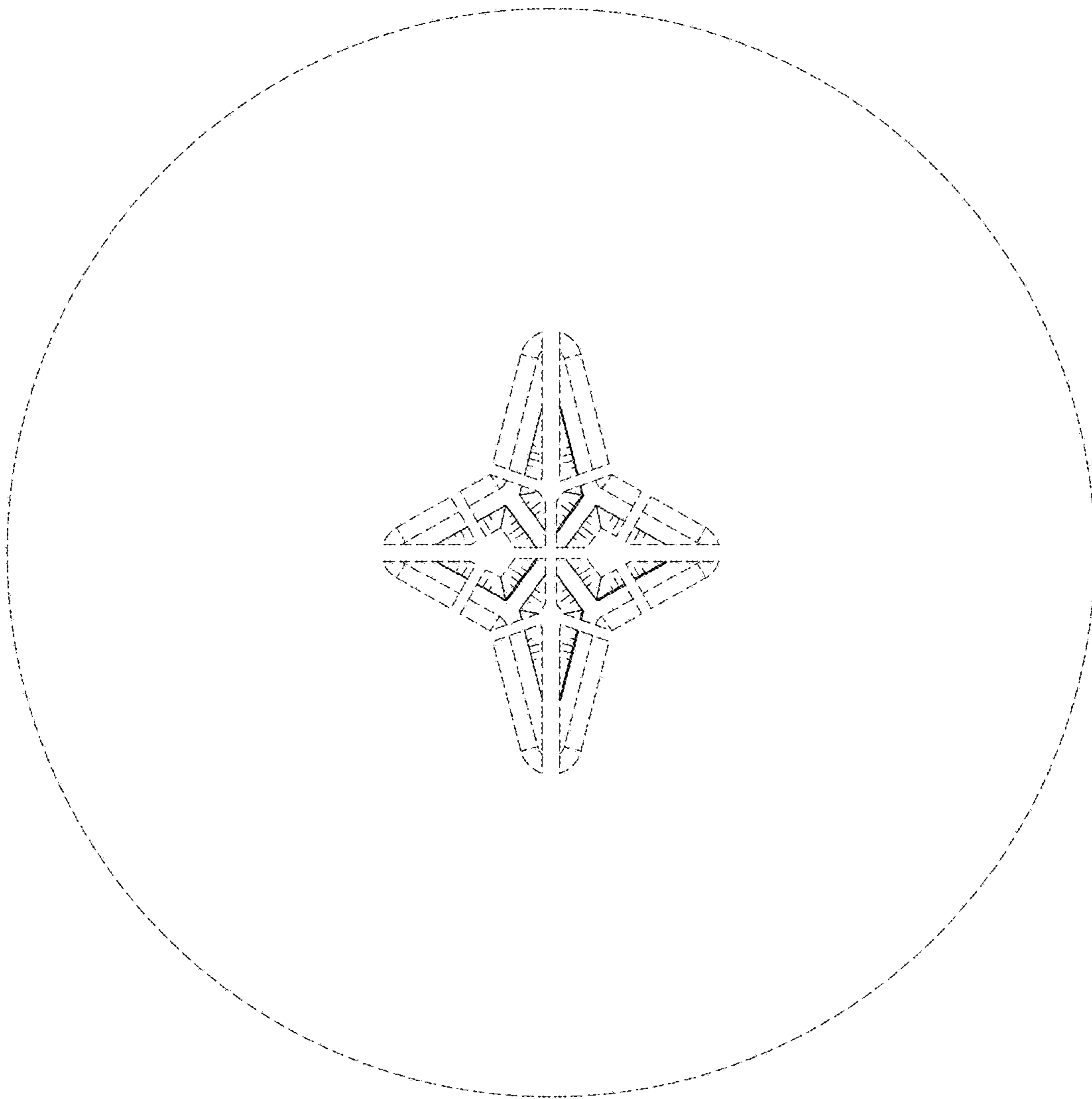


FIG. 5