



US00D846360S

(12) **United States Design Patent** (10) **Patent No.:** **US D846,360 S**
Washington (45) **Date of Patent:** **** Apr. 23, 2019**

(54) **KNIFE**
(71) Applicant: **Clara Washington**, Florissant, MO (US)
(72) Inventor: **Clara Washington**, Florissant, MO (US)
(**) Term: **15 Years**
(21) Appl. No.: **29/599,467**
(22) Filed: **Apr. 4, 2017**
(51) **LOC (11) Cl.** **07-03**
(52) **U.S. Cl.**
USPC **D7/650**; D7/401.2; D7/649
(58) **Field of Classification Search**
USPC D7/393-395, 401.2, 642-652, 693, D7/695-696; D8/93, 97-100, 107, 300, D8/321; D22/117-118
CPC .. A01B 1/20; A01B 1/22; A22C 9/007; A22C 25/006; A47G 21/06; A47G 21/065; A61B 17/3211; A61B 17/3213; B21D 53/64; B25G 3/36; B26B 1/00; B26B 1/08; B26B 1/10; B26B 3/00; B26B 3/02; B26B 3/03; B26B 3/04; B26B 3/06; B26B 5/00; B26B 5/001; B26B 5/007; B26B 7/00; B26B 7/005; B26B 9/00; B26B 9/02; B26B 11/00; B26B 11/006; B26B 17/00; B26B 17/006; B26B 29/02
See application file for complete search history.

D403,559 S * 1/1999 Terenzio D7/650
6,247,736 B1 6/2001 Esterson et al.
D461,373 S * 8/2002 Sylva D7/649
D461,375 S * 8/2002 Sylva D7/650
D461,688 S * 8/2002 Lothe D7/649
D500,233 S * 12/2004 Overthun D7/650
7,862,408 B1 * 1/2011 Weinstein A22C 9/007
452/102
D643,260 S * 8/2011 Spiegel D7/649
D714,104 S * 9/2014 Cotter A22C 9/007
D7/401.2
2009/0320299 A1 12/2009 Kuhn et al.
2012/0079723 A1 4/2012 Owens

OTHER PUBLICATIONS

The Original Handheld Chitterling Cleaner ; (May 2016).

* cited by examiner

Primary Examiner — Ricky Pham
(74) *Attorney, Agent, or Firm* — Global Intellectual Property Agency, LLC; Daniel Boudwin

(57) **CLAIM**

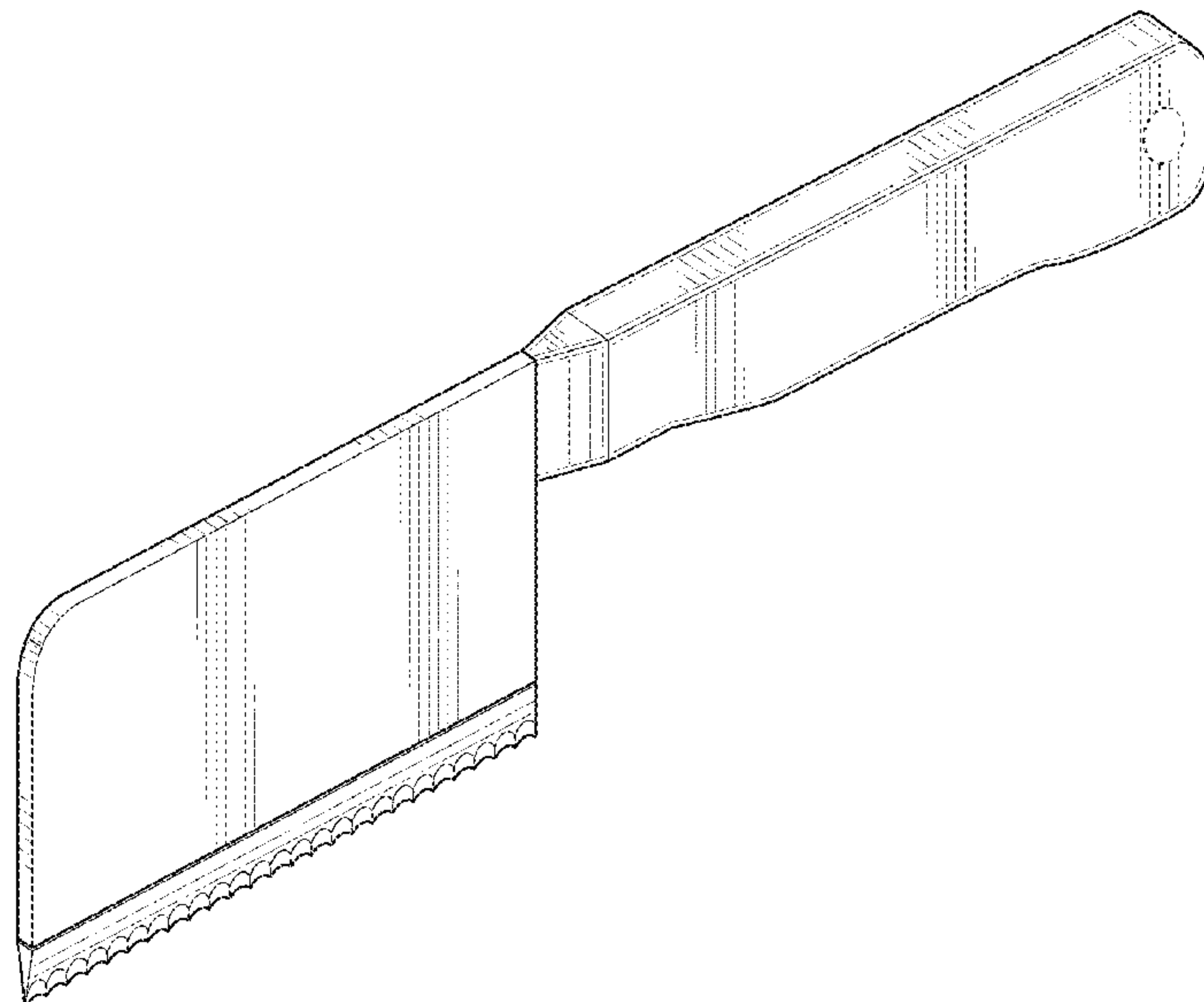
The ornamental design for a knife, as shown and described.

DESCRIPTION

FIG. 1 shows a perspective view of the knife.
FIG. 2 shows a front elevation view thereof.
FIG. 3 shows a rear elevation view thereof.
FIG. 4 shows a right side elevation view thereof.
FIG. 5 shows a left side elevation view thereof.
FIG. 6 shows a first end elevation view thereof; and,
FIG. 7 shows a second end elevation view thereof.
The broken lines shown in the drawings are for illustrative purposes only and form no part of the claimed design.

1 Claim, 4 Drawing Sheets

(56) **References Cited**
U.S. PATENT DOCUMENTS
4,536,910 A 8/1985 Clark
D324,326 S * 3/1992 Lu D7/649
5,692,308 A 12/1997 Libero



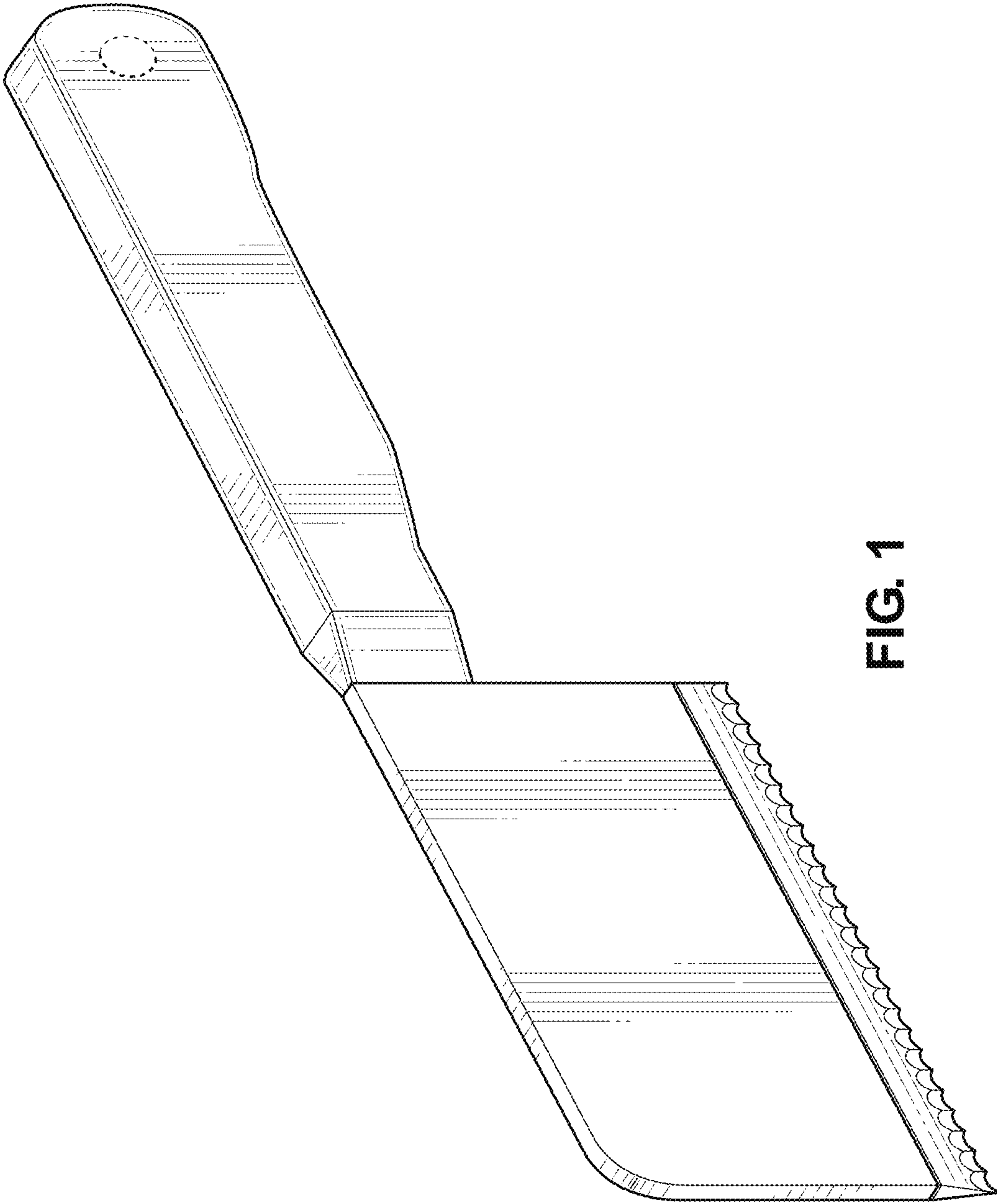


FIG. 1

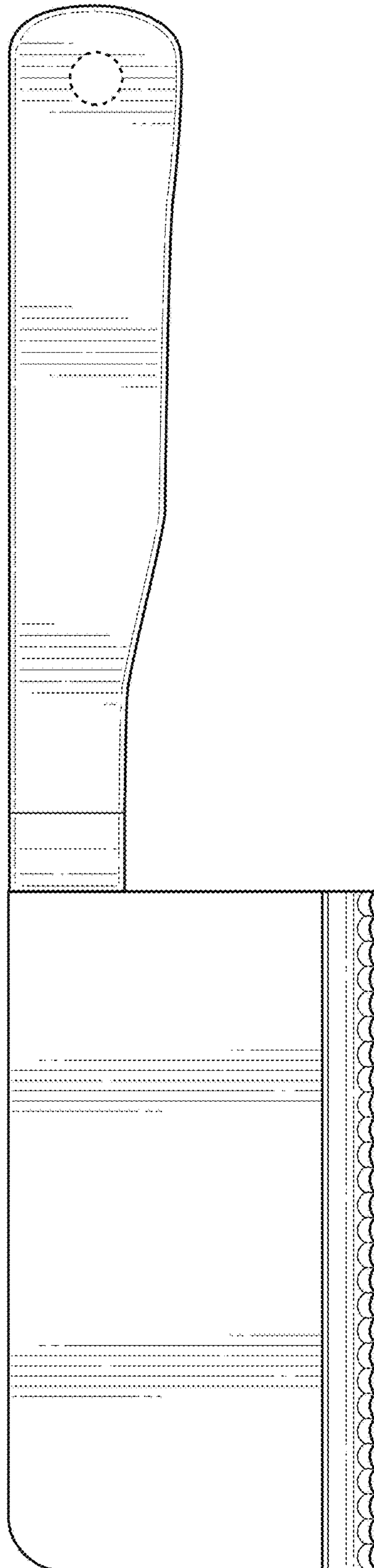


FIG. 2

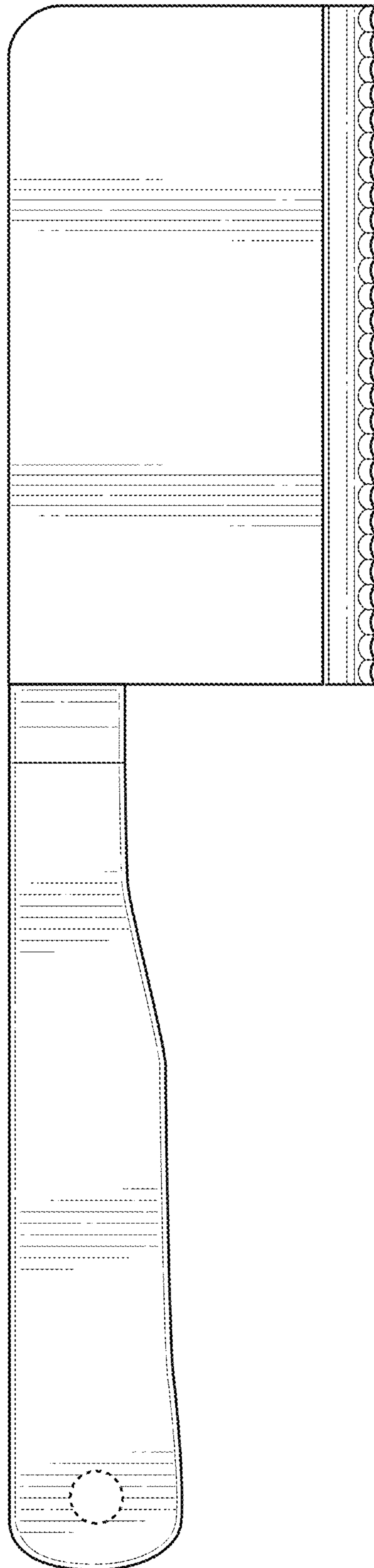


FIG. 3

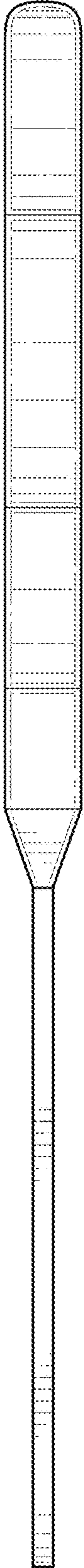


FIG. 4

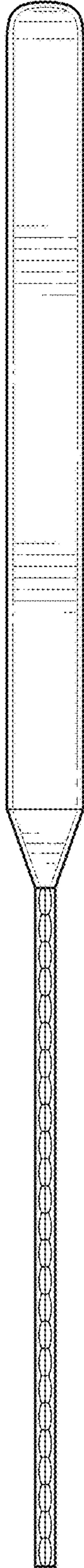


FIG. 5

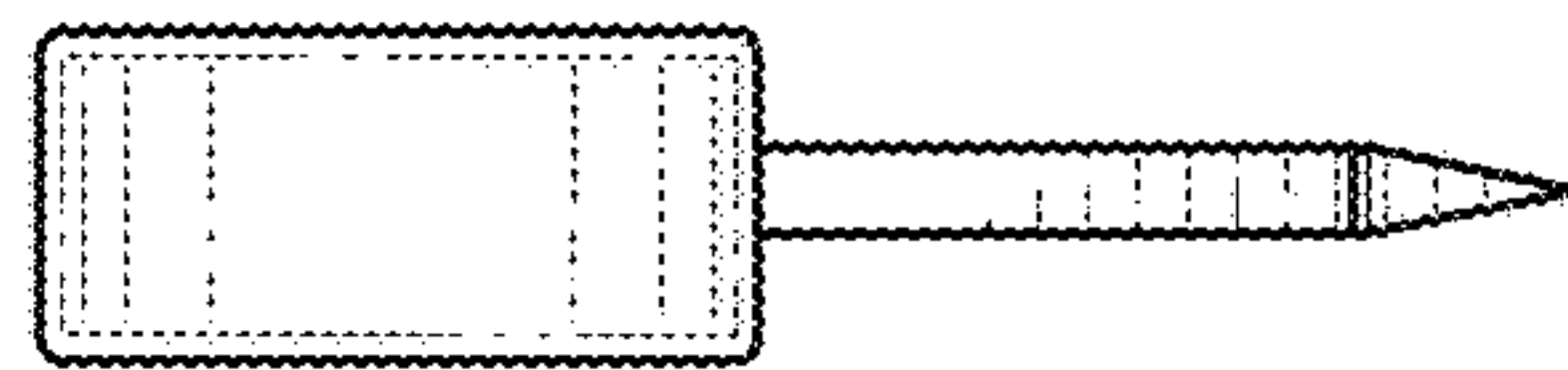


FIG. 6

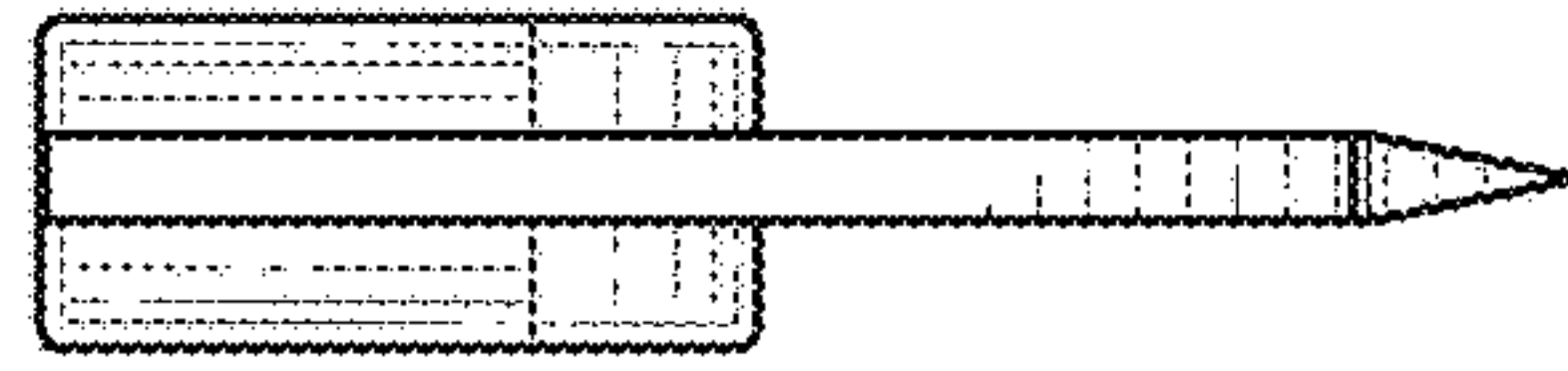


FIG. 7