



US00D846356S

(12) **United States Design Patent**  
**Manos**

(10) **Patent No.:** **US D846,356 S**

(45) **Date of Patent:** **\*\* Apr. 23, 2019**

(54) **PLATE**

(71) Applicant: **Gregory C Manos**, Riverside, CA (US)

(72) Inventor: **Gregory C Manos**, Riverside, CA (US)

(\*\*) Term: **15 Years**

(21) Appl. No.: **29/640,320**

(22) Filed: **Mar. 13, 2018**

(51) **LOC (11) Cl.** ..... **07-01**

(52) **U.S. Cl.**

USPC ..... **D7/553.1**

(58) **Field of Classification Search**

USPC ..... D7/550.1, 553.2, 554.3, 601-602;  
D3/304, 307-308, 314-315

CPC ..... A47G 19/02; A47G 19/06; A47G 23/06;  
A47G 23/0608; B65D 1/34; B65D 1/00

See application file for complete search history.

(56) **References Cited**

**U.S. PATENT DOCUMENTS**

4,516,685	A *	5/1985	French	.....	A47G 19/06 206/563
D336,217	S *	6/1993	Picozza	.....	D7/553.6
D336,407	S *	6/1993	Harding	.....	D7/553.4
D366,187	S *	1/1996	Van Den Kieboom	.....	D7/553.1
D393,181	S *	4/1998	Panta	.....	D7/549
D398,480	S *	9/1998	Panta Chica	.....	D7/553.6

D469,310	S *	1/2003	Bukowski	.....	D7/553.1
D572,536	S *	7/2008	Cox	.....	D7/507
D573,407	S *	7/2008	Cox	.....	D7/507
D654,764	S *	2/2012	Murphy	.....	D7/553.1
D706,583	S *	6/2014	Clark	.....	D7/554.2
D729,588	S *	5/2015	Breton	.....	D7/553.2
D732,344	S *	6/2015	Clark	.....	D7/553.1
D786,621	S *	5/2017	Davis	.....	D7/553.1
D791,544	S *	7/2017	Dennis	.....	D7/553.2
D793,812	S *	8/2017	Dennis	.....	D7/553.2
D809,232	S *	1/2018	Wu	.....	D32/31

\* cited by examiner

*Primary Examiner* — Kelley A Donnelly

(74) *Attorney, Agent, or Firm* — John J. Connors;  
Connors & Assoc. pc

(57) **CLAIM**

The ornamental design for a plate, as shown and described.

**DESCRIPTION**

FIG. 1 is a perspective view of the plate according to my design;

FIG. 2 is a top plan view thereof;

FIG. 3 is a front elevation view thereof;

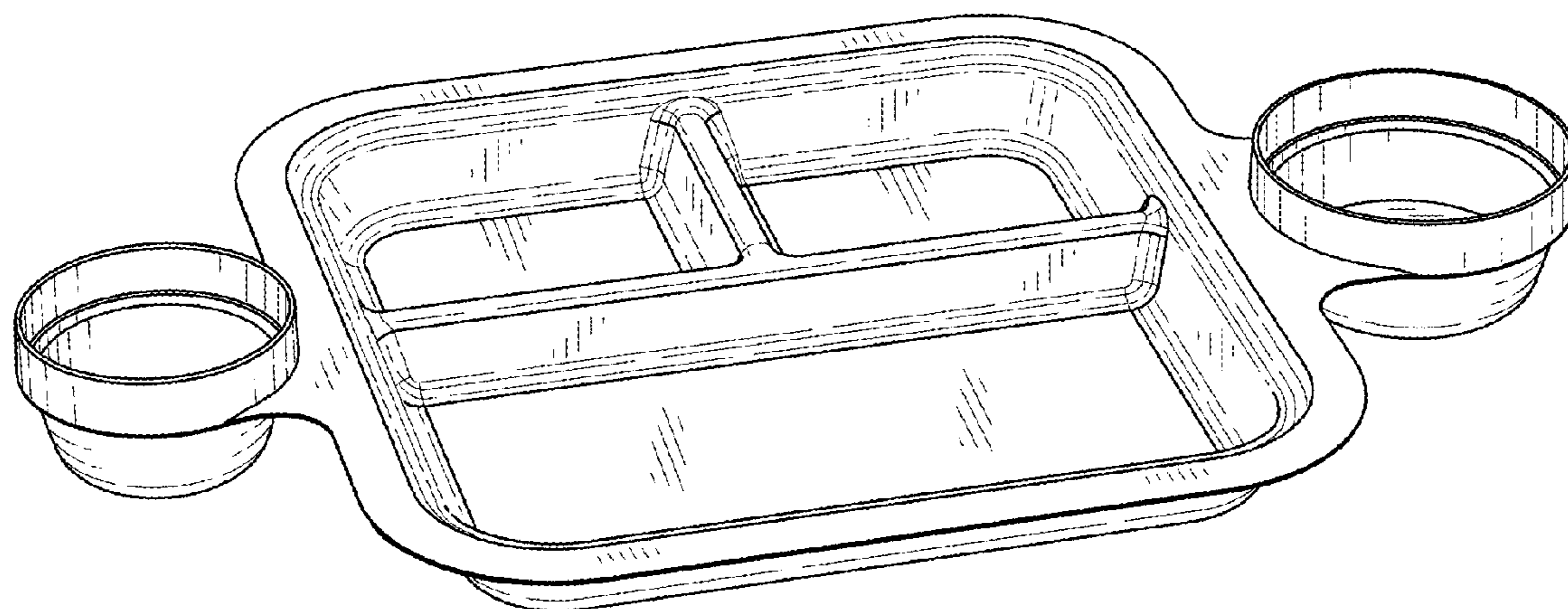
FIG. 4 is a bottom plan view thereof; and,

FIG. 5 is a right side elevation view thereof;

FIG. 6 is a left side elevation view thereof; and,

FIG. 7. is a back elevation view thereof.

**1 Claim, 2 Drawing Sheets**



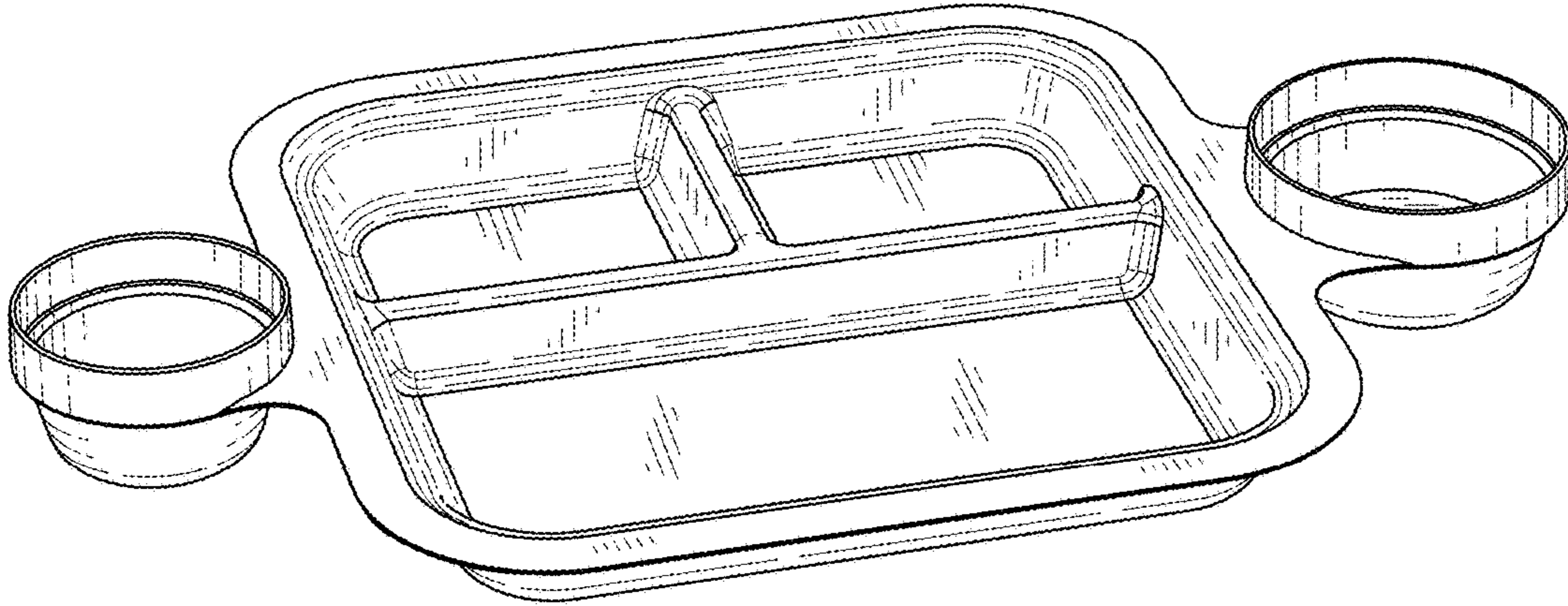


Fig. 1

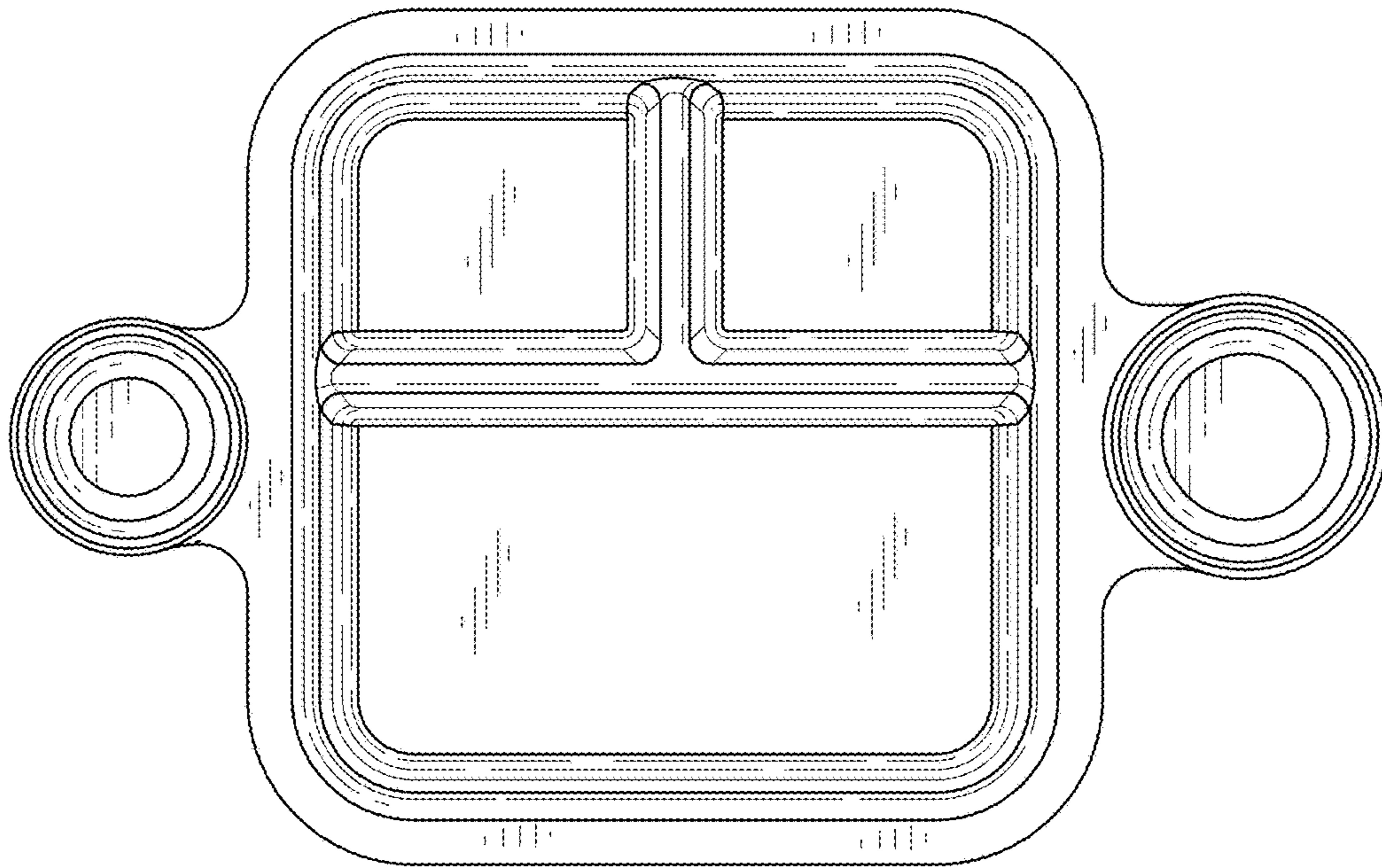


Fig. 2

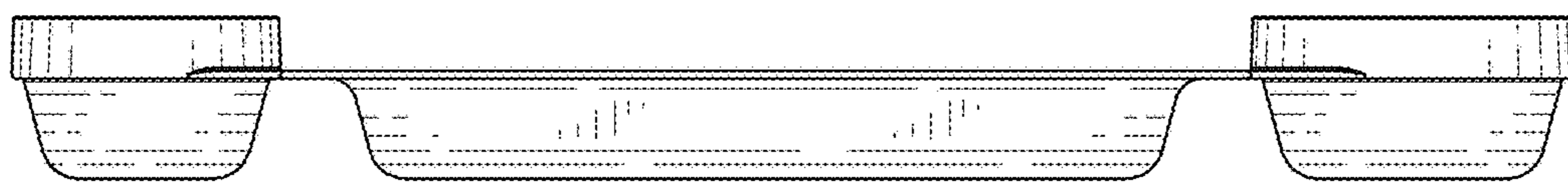


Fig. 3

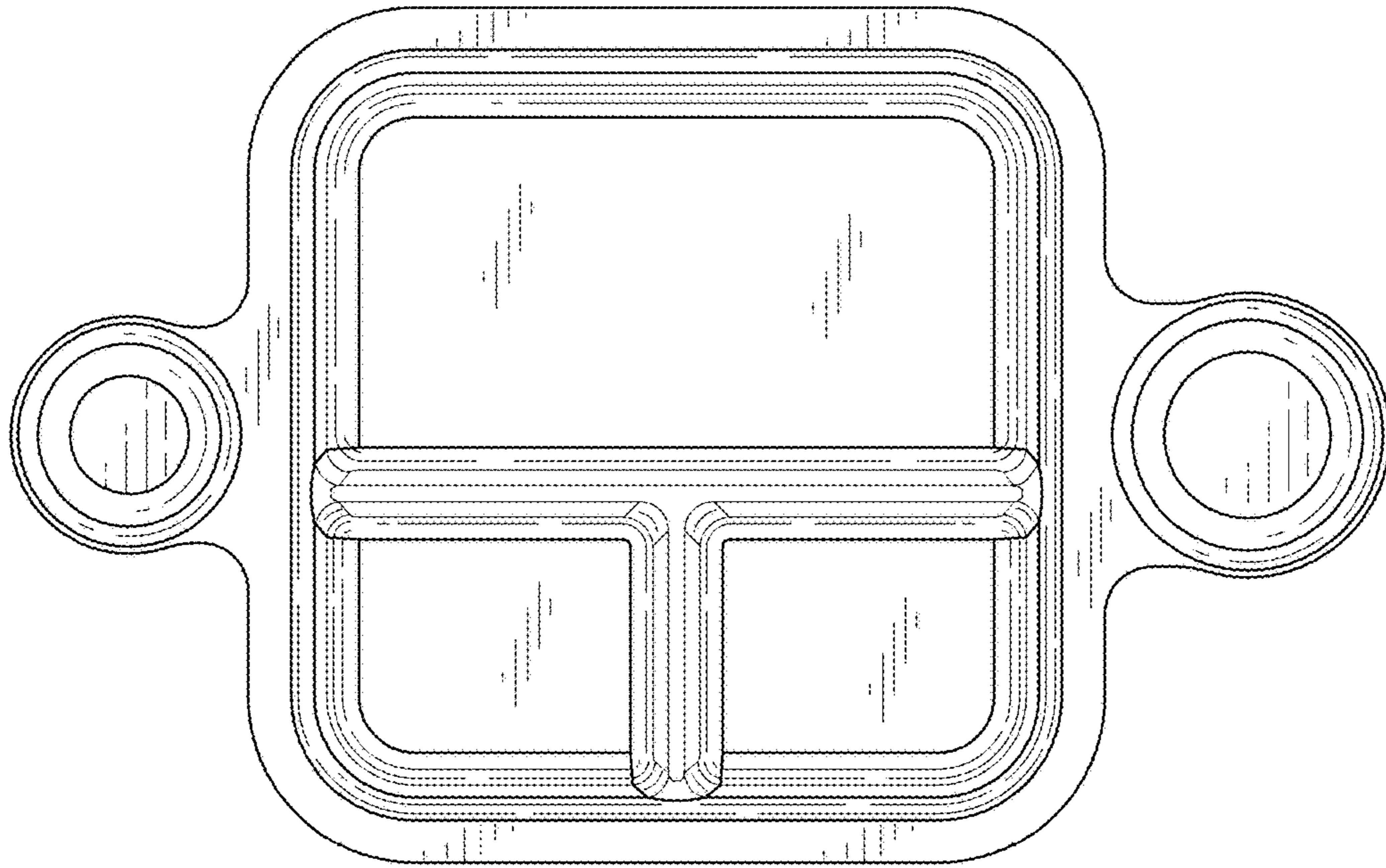


Fig. 4

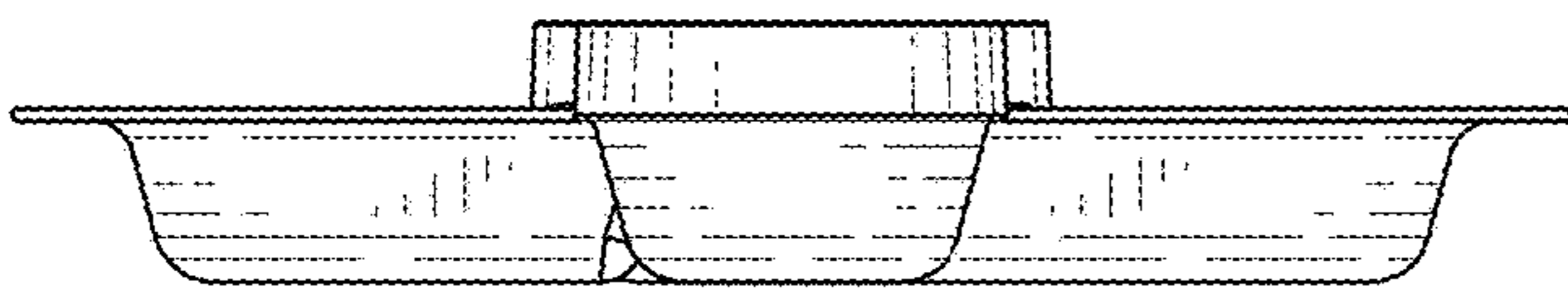


Fig. 5

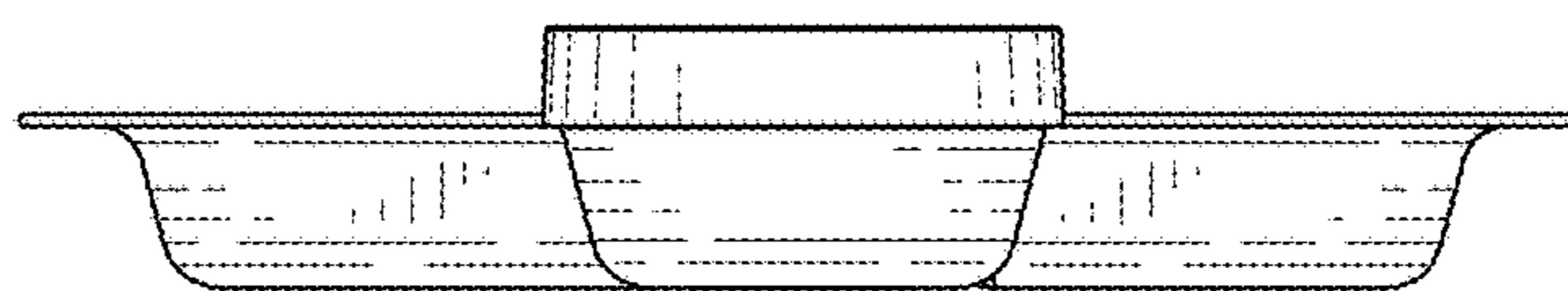


Fig. 6

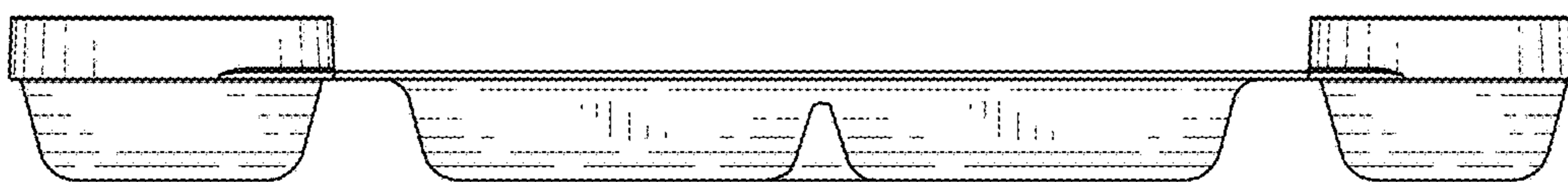


Fig. 7