



US00D846351S

(12) **United States Design Patent** (10) **Patent No.:** **US D846,351 S**  
**Smith** (45) **Date of Patent:** **\*\* Apr. 23, 2019**

(54) **FOOD PROCESSOR AND PARTS THEREOF**

(71) Applicant: **SharkNinja Operating LLC**,  
Needham, MA (US)

(72) Inventor: **Cory R. Smith**, Auburndale, MA (US)

(73) Assignee: **SHARKNINJA OPERATING LLC**,  
Needham, MA (US)

(\*\*) Term: **15 Years**

(21) Appl. No.: **29/634,264**

(22) Filed: **Jan. 19, 2018**

**Related U.S. Application Data**

(62) Division of application No. 29/576,018, filed on Aug. 31, 2016, now Pat. No. Des. 811,804.

(51) **LOC (11) Cl.** ..... **31-00**

(52) **U.S. Cl.**  
USPC ..... **D7/413; D7/376; D7/378; D7/384;**  
**D7/412**

(58) **Field of Classification Search**

USPC ..... D7/372, 376-386, 412-413, 602, 629,  
D7/665-666, 669, 679, 693-694  
CPC .... A21C 1/02; A21C 1/04; A23N 1/00; A23N  
1/02; A47J 43/04; A47J 43/25; A47J  
43/27; A47J 43/042; A47J 43/044; A47J  
43/046; A47J 43/075; A47J 43/0722;  
A47J 43/0727; B01F 3/00; B01F 3/0807;  
B01F 3/0853; B01F 13/0059; B01F  
13/0064; B02C 1/08; B02C 2/04; B02C  
4/42; B02C 4/142; B02C 4/143; B02C  
4/423; B02C 13/1835; B28C 5/10; B28C  
5/12; B28C 5/14; B28C 5/16

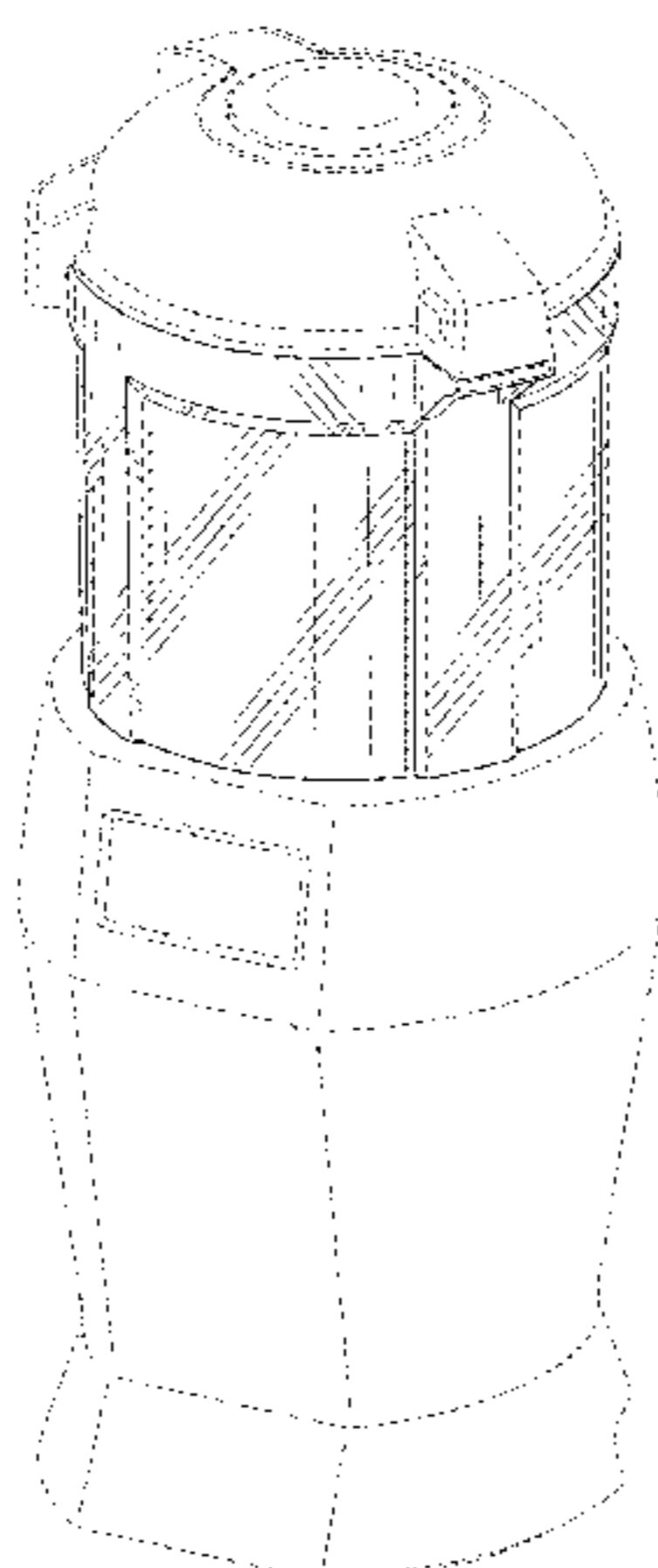
See application file for complete search history.

(56) **References Cited**

**U.S. PATENT DOCUMENTS**

D191,152 S 8/1961 Rawson  
D242,208 S 11/1976 Madl et al.  
D256,318 S 8/1980 Levin

D293,195 S	12/1987	Kim
D302,228 S	7/1989	Barrault
D338,803 S	8/1993	Littmann
D367,583 S	3/1996	Littmann
D373,703 S	9/1996	Frisell
D404,606 S	1/1999	Huang
D404,607 S	1/1999	Huang
D444,026 S	6/2001	Chaudeurge
D445,637 S	7/2001	Feil
D450,978 S	11/2001	Smith
D453,662 S	2/2002	Hensel
D488,344 S	4/2004	Seum et al.
D502,047 S	2/2005	Ledingham et al.
D512,265 S	12/2005	McCurrach
D526,531 S	8/2006	Drees et al.
D533,395 S	12/2006	Drees et al.
D551,915 S	10/2007	Chang Chien
D552,412 S	10/2007	Steiner
D552,419 S	10/2007	Picozza et al.
D553,904 S	10/2007	Romandy
D567,578 S	4/2008	Chiappetta
D568,096 S	5/2008	Sun
D577,537 S	9/2008	Lee
D587,961 S	3/2009	Lavy
7,581,668 B2	9/2009	Mally
D605,462 S	12/2009	Picozza et al.
D611,760 S	3/2010	Ball
D617,136 S	6/2010	Bock et al.
D617,145 S	6/2010	Picozza et al.
D625,141 S	10/2010	Moore
D637,870 S	5/2011	Bock
D642,857 S	8/2011	Bodum
D644,480 S	9/2011	Czach et al.
D645,301 S	9/2011	Tse
D647,357 S	10/2011	Audette et al.
D647,367 S	10/2011	Audette et al.
D647,368 S	10/2011	Audette et al.
D650,229 S	12/2011	Hensel et al.
D654,305 S	2/2012	Gursel et al.
D655,981 S	3/2012	Gursel et al.
D658,430 S	5/2012	Hoare et al.
D660,642 S	5/2012	Boozer et al.
D667,259 S	9/2012	Lee et al.
D667,260 S	9/2012	Lee et al.
D667,261 S	9/2012	Lee et al.
D668,100 S	10/2012	Palermo et al.
D674,235 S	1/2013	Lee et al.
D674,658 S	1/2013	Fouquet
D677,976 S	3/2013	Palermo et al.
D690,152 S	9/2013	Palermo et al.
D694,573 S	12/2013	Norland et al.
D694,574 S	12/2013	Norland et al.
D694,582 S	12/2013	Norland



D694,583 S	12/2013	Norland	Japanese Design No. D1491535 (S); Publication Date: Mar. 3, 2014; Machine Translation; 9 Pages.
D695,060 S	12/2013	Penaherrera et al.	Japanese Design No. D1491536 (S); Publication Date: Mar. 3, 2014; Machine Translation; 9 Pages.
D696,063 S	12/2013	Coakley et al.	Japanese Design No. D1518840 (S); Publication Date: Mar. 9, 2015; Machine Translation; 10 Pages.
D702,078 S	4/2014	Coakley et al.	Japanese Design No. D1523840 (S); Publication Date: May 18, 2015; Machine Translation; 9 Pages.
D704,502 S	5/2014	Coakley et al.	Japanese Design No. D1528172 (S); Publication Date: Jul. 6, 2015; Machine Translation; 9 Pages.
D708,007 S	7/2014	Lazzer	Japanese Design No. D1533047 (S); Publication Date: Sep. 7, 2015; Machine Translation; 9 Pages.
D711,688 S	8/2014	Prats	Japanese Design No. D1592330 (S); Publication Date: Dec. 4, 2017; Machine Translation; 14 Pages.
D730,681 S	6/2015	Smith et al.	Japanese Design No. D1592331 (S); Publication Date: Dec. 4, 2017; Machine Translation; 14 Pages.
D730,682 S	6/2015	Tu	Notice of References; Japanese Design Application No. 2015-19809; dated Jan. 8, 2016; 2 Pages.
D730,683 S	6/2015	Tu	Notice of References; Japanese Design Application No. 2015-19810; dated Jan. 8, 2016; 2 Pages.
D731,850 S	6/2015	Smith	Notice of References; Japanese Design Application No. 2015-19811; dated Jan. 8, 2016; 2 Pages.
D733,488 S	7/2015	Tu	Notice of References; Japanese Design Application No. 2015-19812; dated Jan. 8, 2016; 2 Pages.
D745,316 S	12/2015	Usmar	Notice of References; Japanese Design Application No. 2015-19813; dated Jan. 8, 2016; 2 Pages.
D745,317 S	12/2015	Dichraff et al.	Notice of References; Japanese Design Application No. 2015-19814; dated Jan. 8, 2016; 2 Pages.
9,265,381 B2	2/2016	Beber et al.	Notice of References; Japanese Design Application No. 2015-19815; dated Jan. 8, 2016; 2 Pages.
D755,003 S	5/2016	Palermo et al.	Notice of References; Japanese Design Application No. 2015-19816; dated Jan. 8, 2016; 2 Pages.
D758,126 S	6/2016	Benoit et al.	Notice of References; Japanese Design Application No. 2015-19817; dated Jan. 8, 2016; 2 Pages.
D761,617 S	7/2016	Dennisur et al.	Walmart; "Oster 600-Watt Fusion Blender, BRLY07-B00-000"; URL: <a href="http://www.walmart.com/ip/Oster-600-Watt-Fusion-Blender/9604653">http://www.walmart.com/ip/Oster-600-Watt-Fusion-Blender/9604653</a> ; URL Accessed: Jul. 29, 2016; 8 Pages.
D765,462 S	9/2016	Davies	WMF Wurttembergische Metallwarenfabrik; 61 3024 5401; JPO Publicly Known Design No. HJ26034868; Listed in Notice of Allowance Received in JP Appln. No. 2017-019764, dated Mar. 9, 2018; 3 Pages.
D765,465 S	9/2016	Du	JP Notice of Allowance with English Translation; Japanese Design Application No. 2018-1279; dated Sep. 28, 2018; pp. 1-6.
D766,649 S	9/2016	Suzuki	JP Notice of Allowance with English Translation; Japanese Design Application No. 2018-1280; dated Sep. 28, 2018; pp. 1-6.
D771,999 S	11/2016	Kettavong et al.	JP Notice of Allowance with English Translation; Japanese Design Application No. 2018-1281; dated Sep. 28, 2018; pp. 1-6.
D772,011 S	11/2016	Barquin et al.	JP Notice of Allowance with English Translation; Japanese Design Application No. 2018-1282; dated Sep. 28, 2018; pp. 1-6.
D772,650 S	11/2016	Barquin et al.	JP Notice of Allowance with English Translation; Japanese Design Application No. 2018-1284; dated Sep. 28, 2018; pp. 1-6.
D773,247 S	12/2016	Barquin et al.	JP Notice of Allowance with English Translation; Japanese Design Application No. 2018-1285; dated Sep. 28, 2018; pp. 1-6.
D773,248 S	12/2016	Barquin et al.	JP Notice of Allowance with English Translation; Japanese Design Application No. 2018-1286; dated Sep. 28, 2018; pp. 1-6.
D773,249 S	12/2016	Barquin et al.	JP Notice of Allowance with English Translation; Japanese Design Application No. 2018-1287; dated Sep. 28, 2018; pp. 1-6.
D779,265 S	2/2017	Barquin et al.	JP Notice of Allowance with English Translation; Japanese Design Application No. 2018-1289; dated Sep. 28, 2018; pp. 1-6.
D786,613 S	5/2017	Mcconnell et al.	JP Notice of Allowance with English Translation; Japanese Design Application No. 2018-1292; dated Sep. 28, 2018; pp. 1-6.
D786,614 S	5/2017	Smith et al.	JP Notice of Allowance with English Translation; Japanese Design Application No. 2018-1293; dated Sep. 28, 2018; pp. 1-6.
D786,615 S	5/2017	Tsai	JP Notice of Allowance with English Translation; Japanese Design Application No. 2018-1295; dated Sep. 28, 2018; pp. 1-6.
D787,882 S	5/2017	Mcconnell et al.	JP Notice of Allowance with English Translation; Japanese Design Application No. 2018-1296; dated Sep. 28, 2018; pp. 1-6.
D787,883 S *	5/2017	Tu ..... D7/376	JP Notice of Allowance with English Translation; Japanese Design Application No. 2018-1297; dated Sep. 28, 2018; pp. 1-6.
D788,520 S	6/2017	Blaise	JP Notice of Allowance with English Translation; Japanese Design Application No. 2018-1298; dated Sep. 28, 2018; pp. 1-6.
D789,735 S	6/2017	Palermo et al.	JP Notice of Allowance with English Translation; Japanese Design Application No. 2018-6518; dated Sep. 28, 2018; pp. 1-6.
D789,736 S	6/2017	Palermo et al.	
9,675,212 B2 *	6/2017	Hewitt ..... A47J 43/0727	
D807,118 S	1/2018	Kettavong et al.	
D808,718 S *	1/2018	Coakley ..... D7/413	
D808,719 S *	1/2018	Coakley ..... D7/413	
9,855,535 B2	1/2018	Arnett et al.	
D809,333 S *	2/2018	Lee ..... D7/386	
D809,334 S *	2/2018	Lee ..... D7/386	
D809,342 S *	2/2018	Coakley ..... D7/413	
D811,804 S *	3/2018	Smith ..... D7/384	
D811,805 S *	3/2018	Smith ..... D7/384	
D811,806 S *	3/2018	Bock ..... D7/386	
D812,963 S *	3/2018	Smith ..... D7/384	
D812,964 S *	3/2018	Tu ..... A47J 43/0727	
			D7/386
D813,603 S *	3/2018	Tu ..... D7/413	
D821,806 S	7/2018	Coakley et al.	
D823,637 S	7/2018	Coakley	
2008/0089170 A1	4/2008	Larsen et al.	
2008/0089171 A1	4/2008	Larsen et al.	
2008/0219089 A1	9/2008	Sandford et al.	
2009/0129200 A1	5/2009	Breviere et al.	
2010/0246319 A1	9/2010	Pryor, Jr. et al.	

FOREIGN PATENT DOCUMENTS

EM	0013887970002	8/2013	
JP	S6339330 B2	8/1988	
JP	D1491536 S	3/2014	
JP	D1488258 S	1/2015	
JP	D1533047 S	9/2015	
JP	D1545614 S	3/2016	
JP	D1592330 S	12/2017	
JP	D1592331 S	12/2017	
JP	D1603847 S	5/2018	
JP	D1603848 S	5/2018	
KR	300382339 S	5/2005	
KR	300398683 S	11/2005	

OTHER PUBLICATIONS

Design No. 28449; Soviet Design Gazette; vol. 3; Published: Sep. 15, 1990; pp. 180-181.

Notice of Allowance; Food Processor and Parts Thereof; U.S. Appl. No. 29/611,681, filed Jul. 24, 2017; Notification dated Sep. 21, 2018; 1-56 Pages.

Requirement for Restriction/Election; Blender Base; U.S. Appl. No. 29/653,896, filed Jun. 19, 2018; 1-31 Pages.

Requirement for Restriction/Election; Food Processor and Parts Thereof; U.S. Appl. No. 29/611,684, filed Jul. 24, 2017; 1-50 Pages.

Requirement for Restriction/Election; Food Processor and Parts Thereof; U.S. Appl. No. 29/611,685, filed Jul. 24, 2017; 1-50 Pages.

Requirement for Restriction/Election; Food Processor and Parts Thereof; U.S. Appl. No. 29/633,798, filed Jan. 16, 2018; 1-20 Pages.

Requirement for Restriction/Election; Food Processor and Parts Thereof; U.S. Appl. No. 29/637,154, filed Feb. 14, 2018; 1-21 Pages.

\* cited by examiner

*Primary Examiner* — Ricky Pham

(74) *Attorney, Agent, or Firm* — Cantor Colburn LLP

(57) **CLAIM**

The ornamental design for food processor and parts thereof, as shown and described.

**DESCRIPTION**

FIG. 1 is a perspective view of a food processor, showing our new design in first embodiment;

FIG. 2 is a front view of the embodiment shown in FIG. 1;

FIG. 3 is a rear view of the embodiment shown in FIG. 1;

FIG. 4 is a side view of the embodiment shown in FIG. 1;

FIG. 5 is another side view of the embodiment shown in FIG. 1;

FIG. 6 is a top view of the embodiment shown in FIG. 1;

FIG. 7 is a bottom view of the embodiment shown in FIG. 1;

1;

FIG. 8 is a perspective view of a food processor, showing our new design another embodiment;

FIG. 9 is a front view of the embodiment shown in FIG. 8;

FIG. 10 is a rear view of the embodiment shown in FIG. 8;

FIG. 11 is a side view of the embodiment shown in FIG. 8;

FIG. 12 is another side view of the embodiment shown in FIG. 8;

FIG. 13 is a top view of the embodiment shown in FIG. 8;

FIG. 14 is a bottom view of the embodiment shown in FIG. 8;

FIG. 15 is a perspective view of a food processor container, showing our new design another embodiment;

FIG. 16 is a front view of the embodiment shown in FIG. 15;

FIG. 17 is a rear view of the embodiment shown in FIG. 15;

FIG. 18 is a side view of the embodiment shown in FIG. 15;

FIG. 19 is another side view of the embodiment shown in FIG. 15;

FIG. 20 is a top view of the embodiment shown in FIG. 15;

FIG. 21 is a bottom view of the embodiment shown in FIG. 15;

FIG. 22 is a perspective view of a food processor container, showing our new design in another embodiment;

FIG. 23 is a front view of the embodiment shown in FIG. 22;

FIG. 24 is a rear view of the embodiment shown in FIG. 22;

FIG. 25 is a side view of the embodiment shown in FIG. 22;

FIG. 26 is another side view of the embodiment shown in FIG. 22;

FIG. 27 is a top view of the embodiment shown in FIG. 22;

and,

FIG. 28 is a bottom view of the embodiment shown in FIG. 22.

The broken lines in the figures are for environmental purposes only and form no part of the claimed design.

**1 Claim, 26 Drawing Sheets**

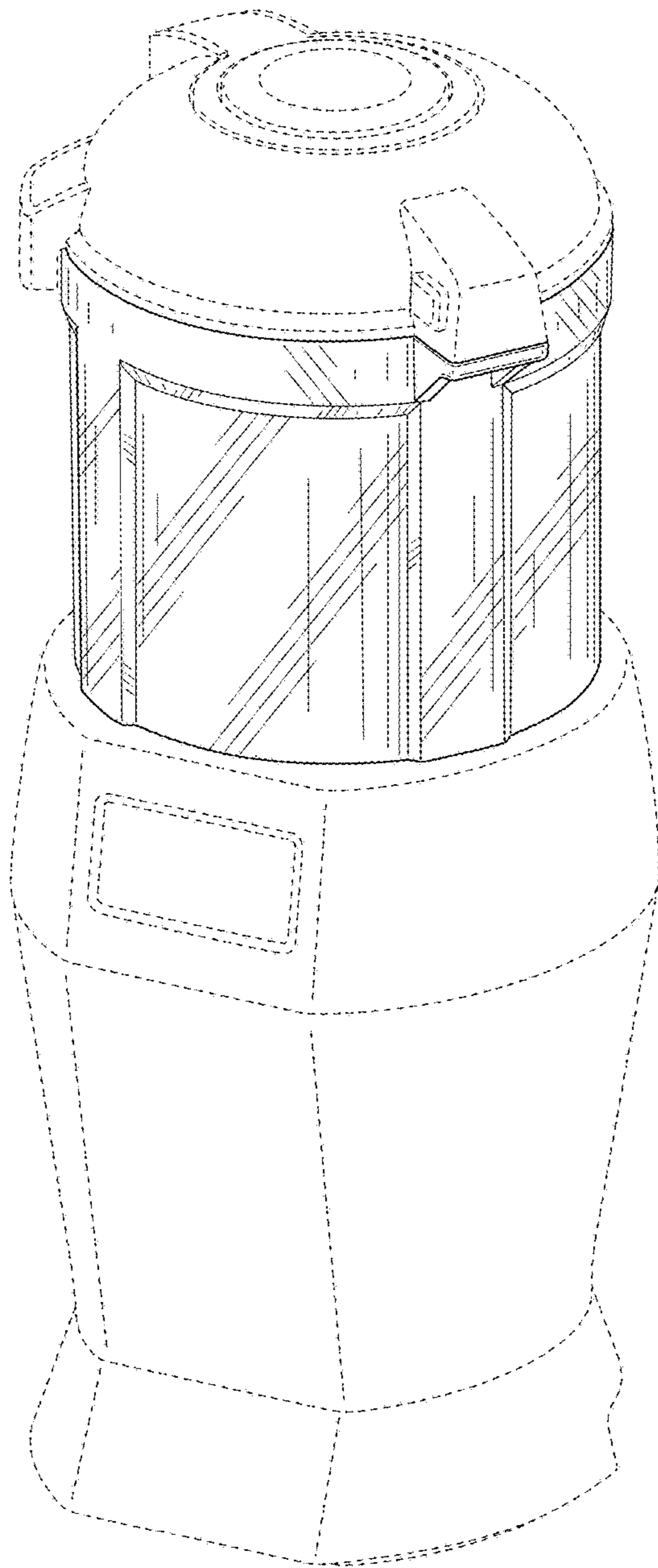


FIG. 1

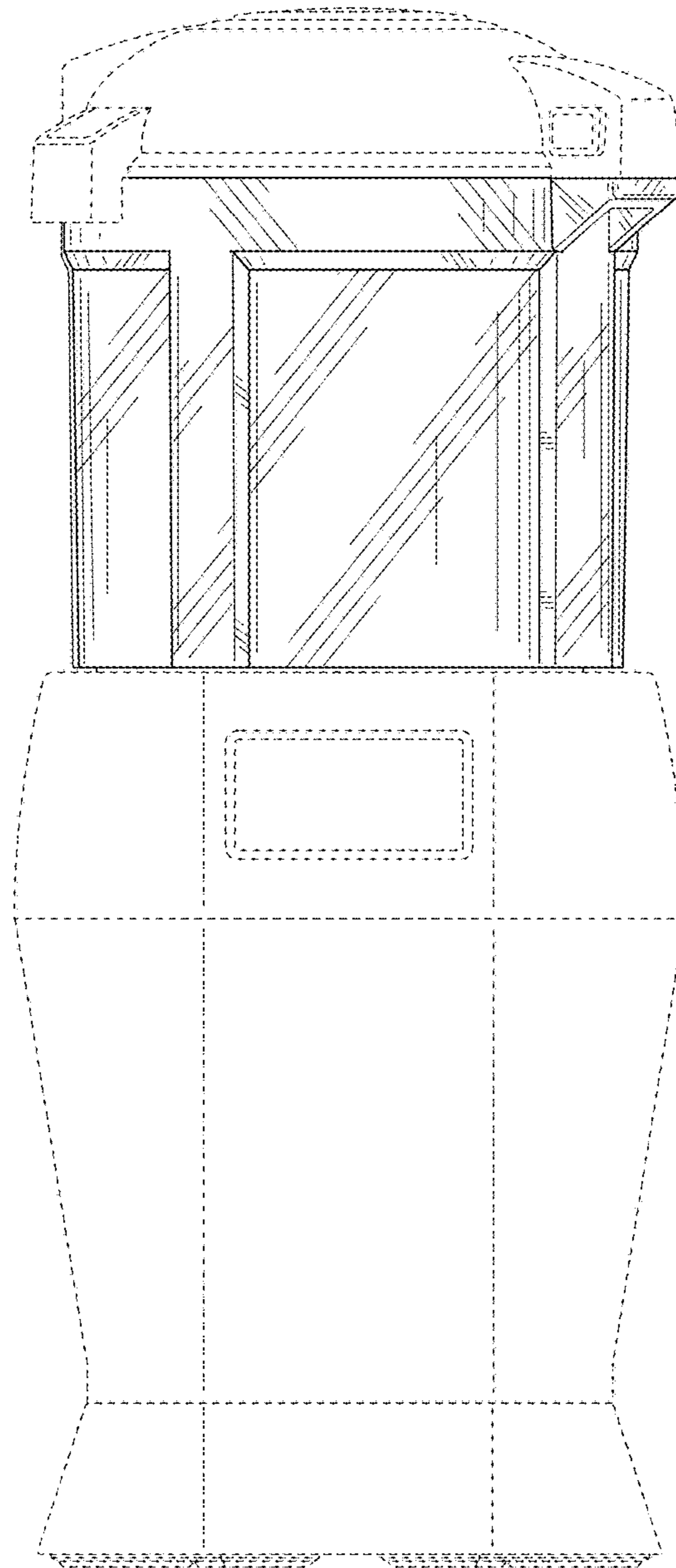


FIG. 2

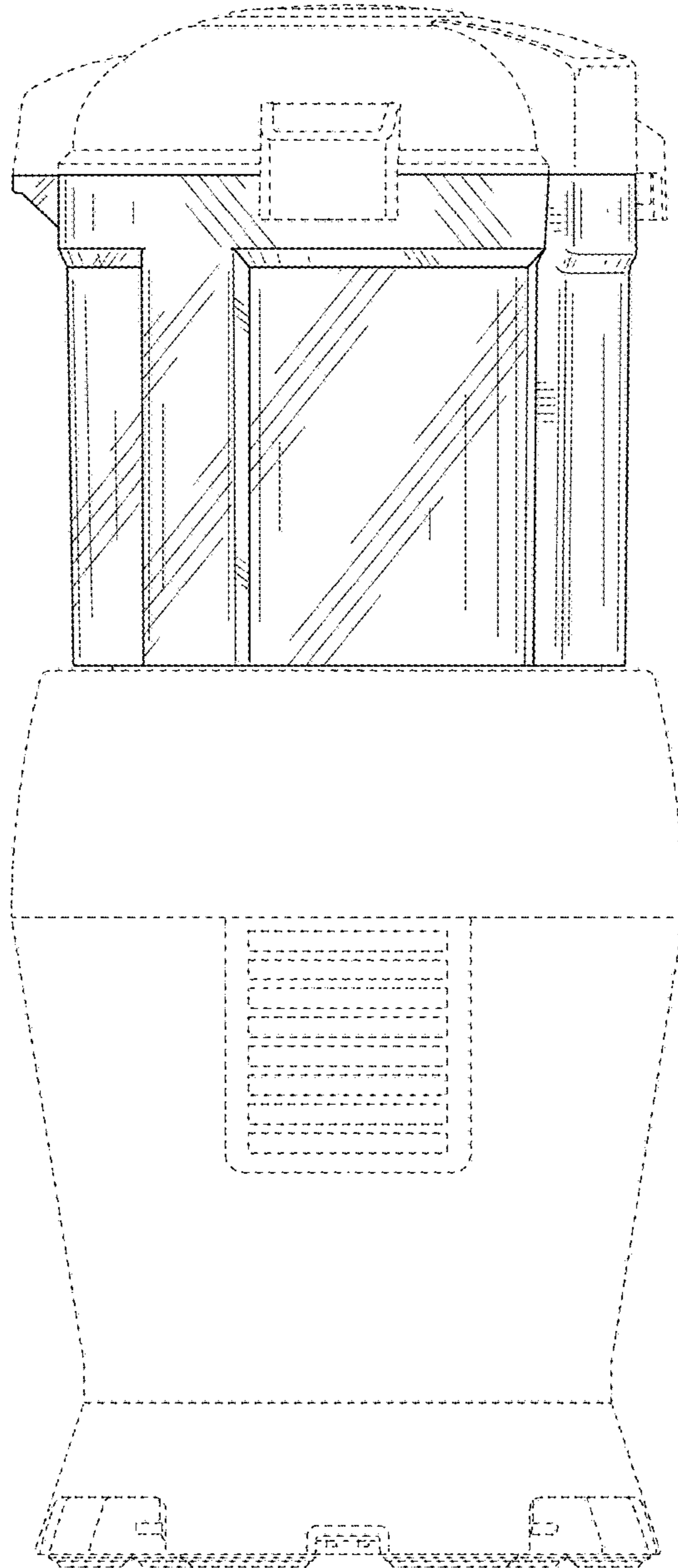


FIG. 3

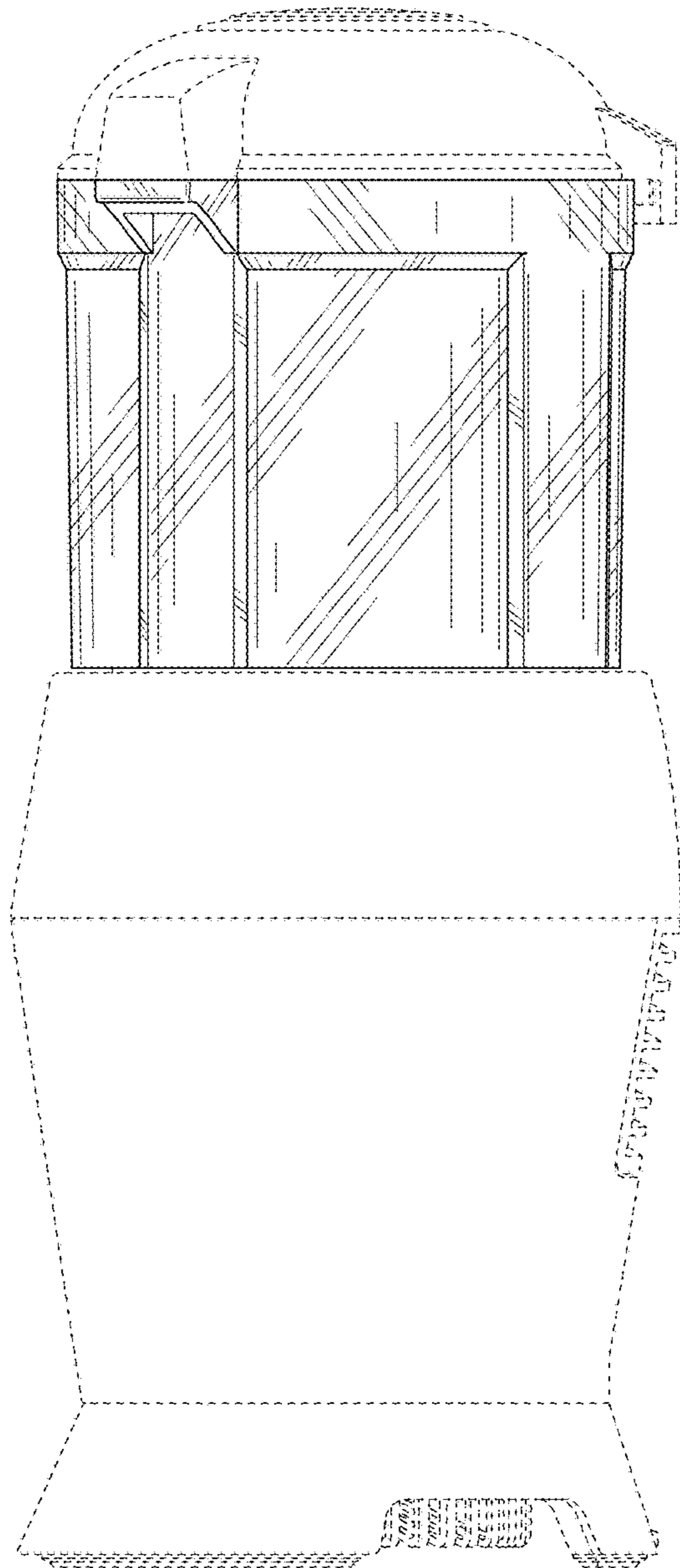


FIG. 4

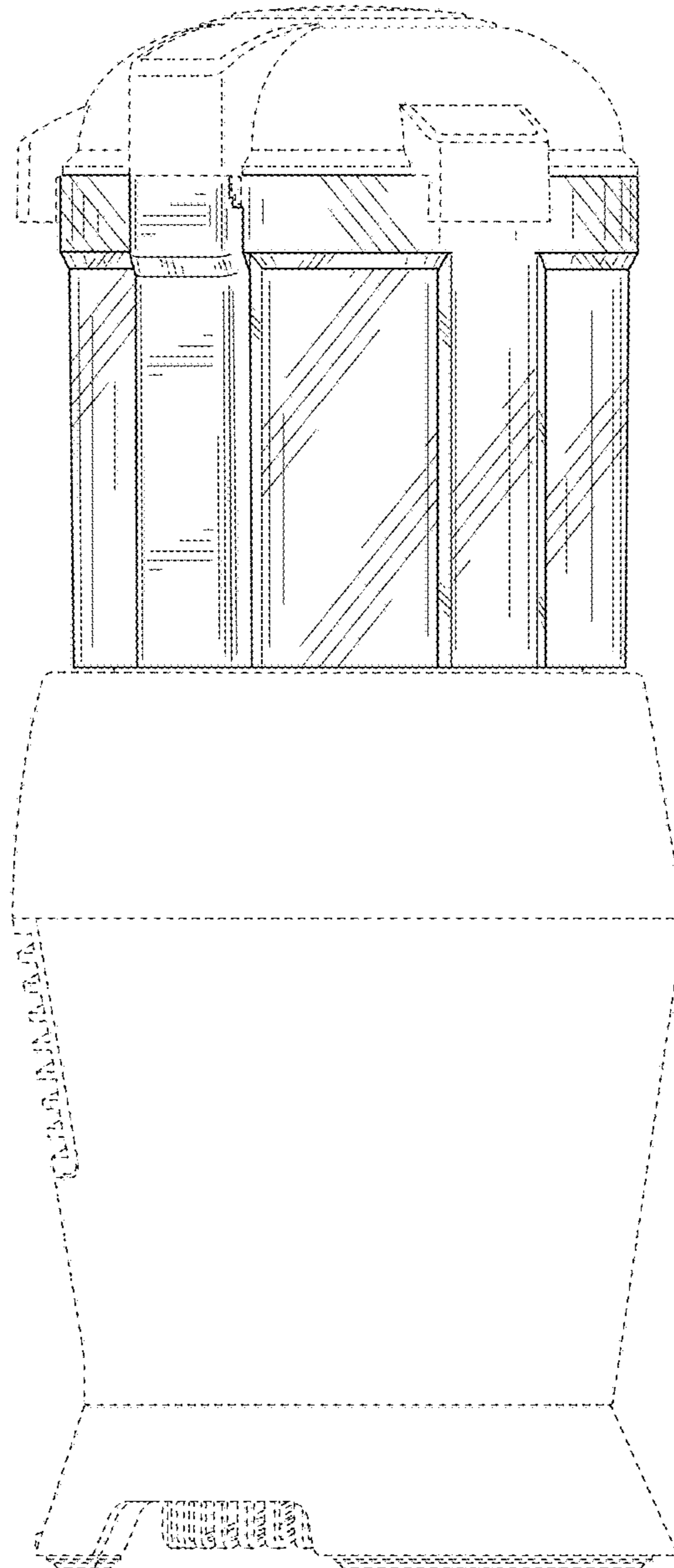


FIG. 5



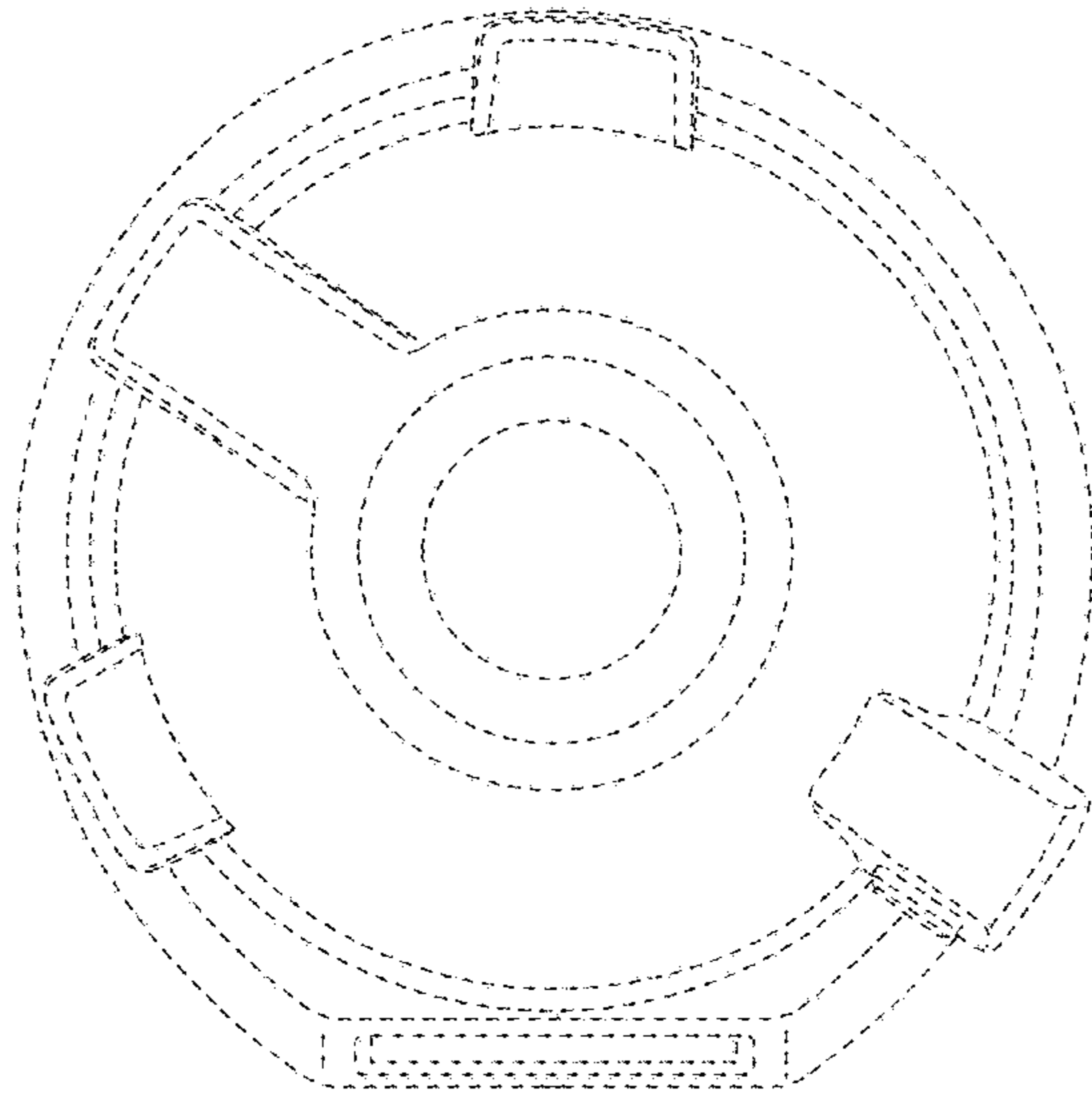


FIG. 6

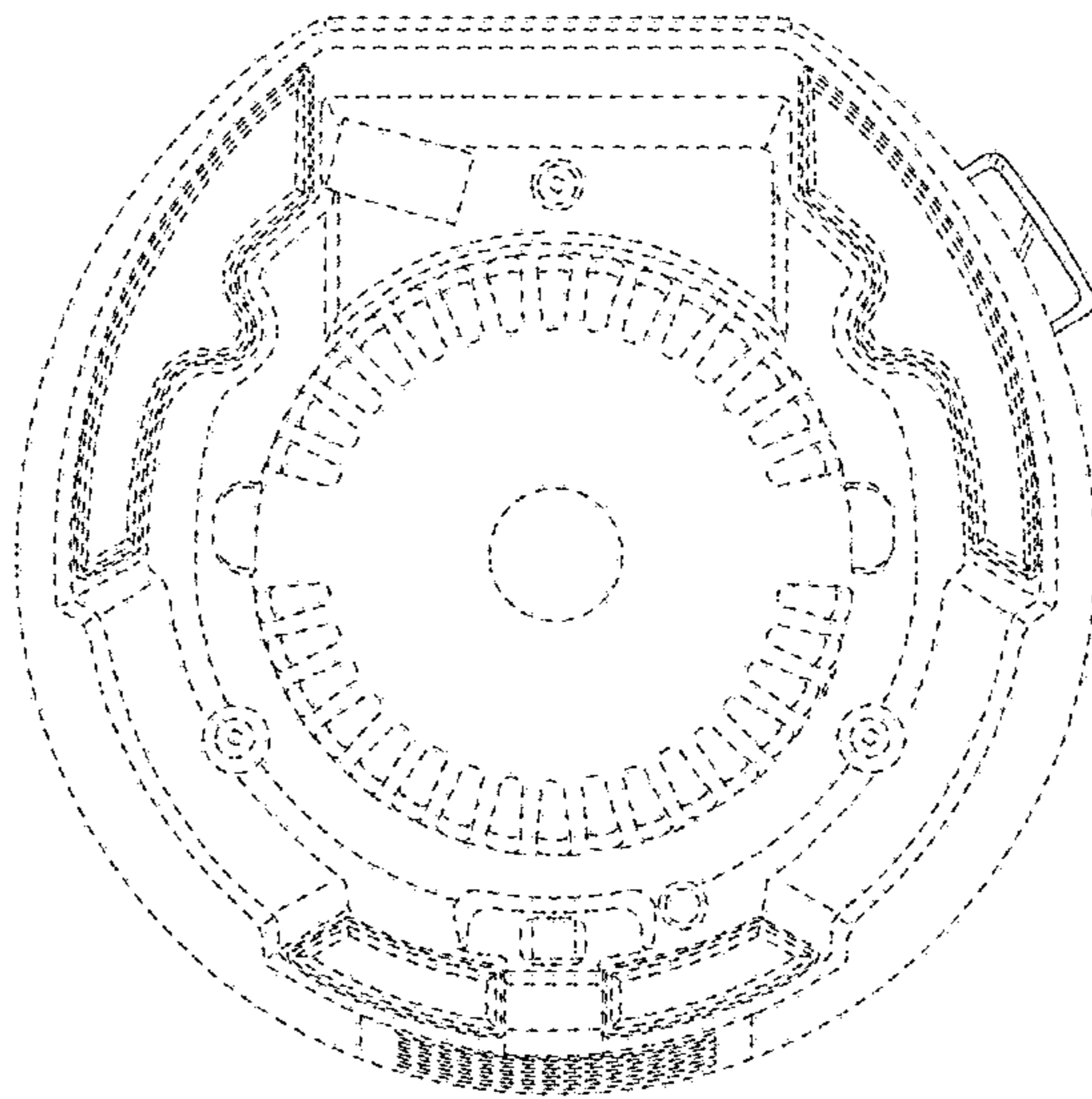


FIG. 7

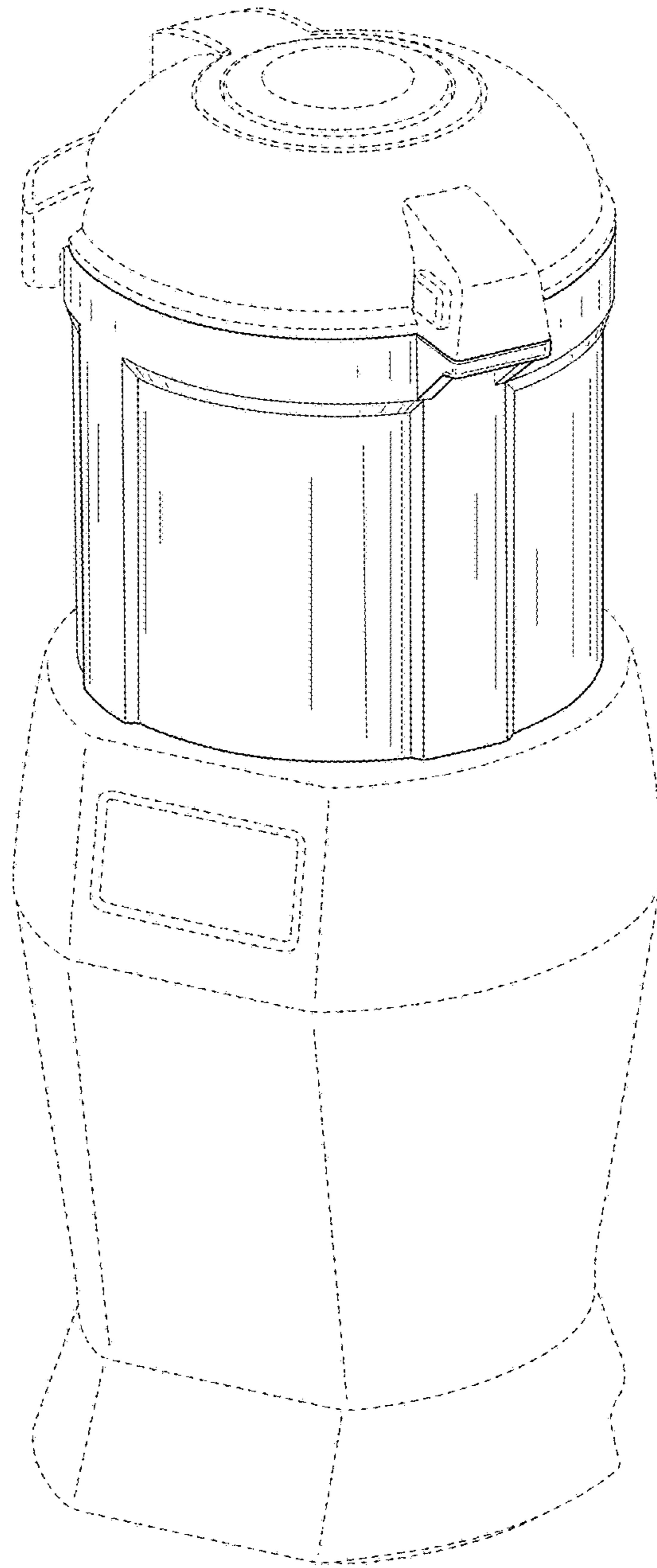


FIG. 8

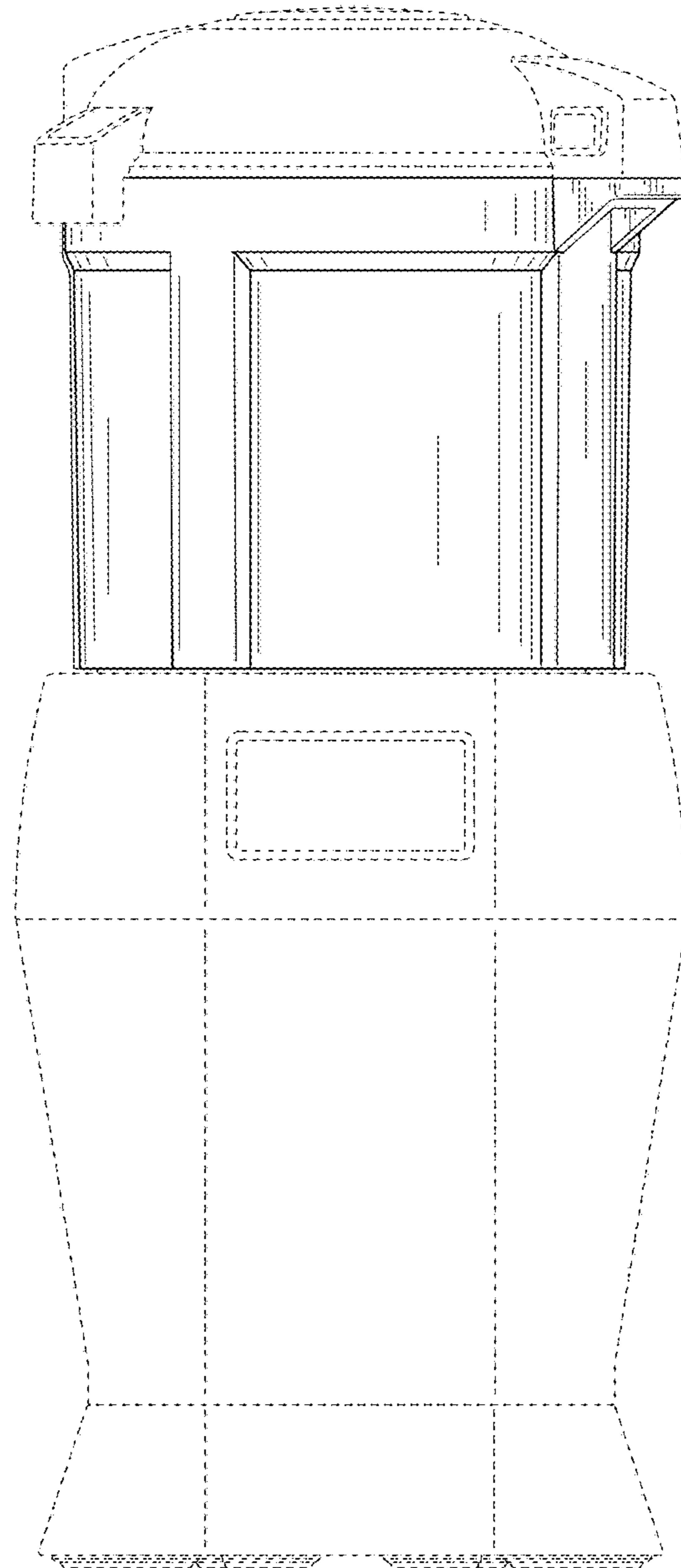


FIG. 9

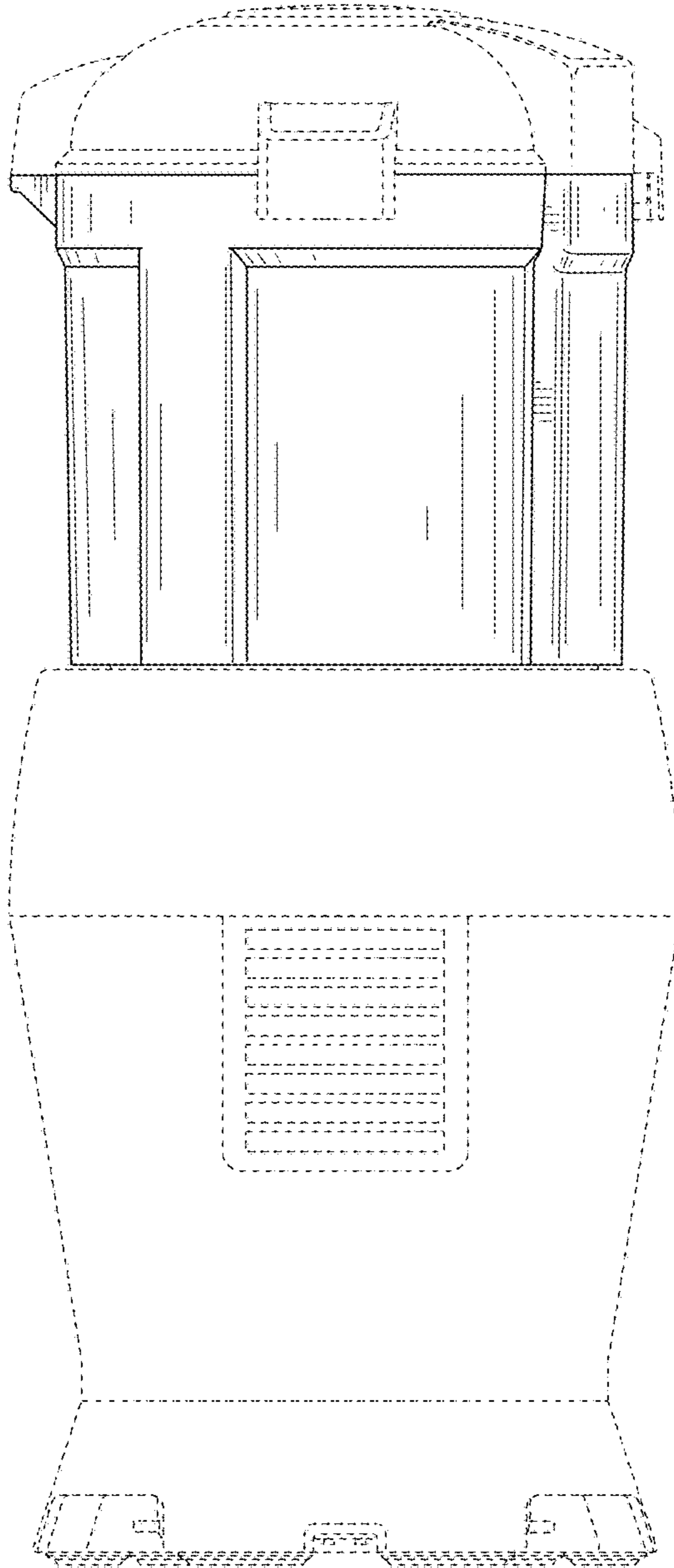


FIG. 10

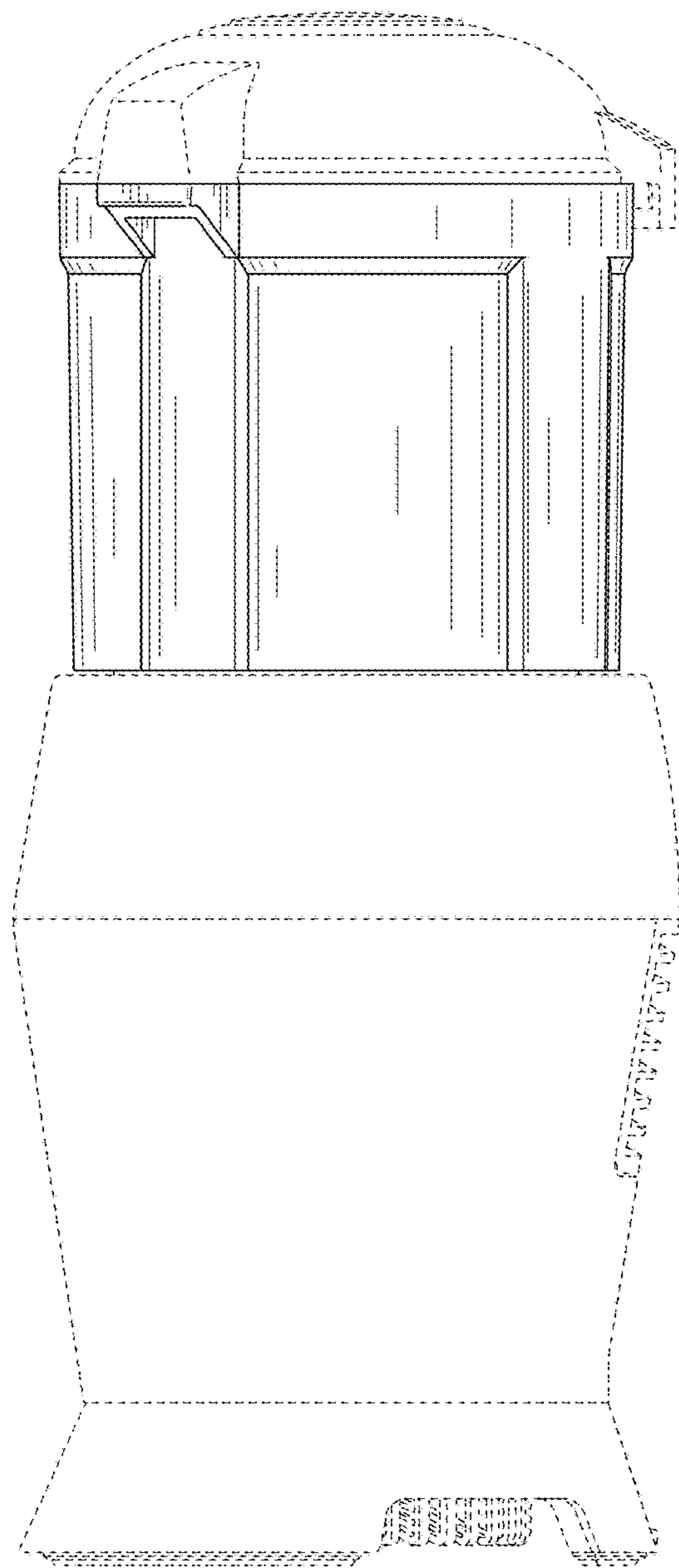


FIG. 11

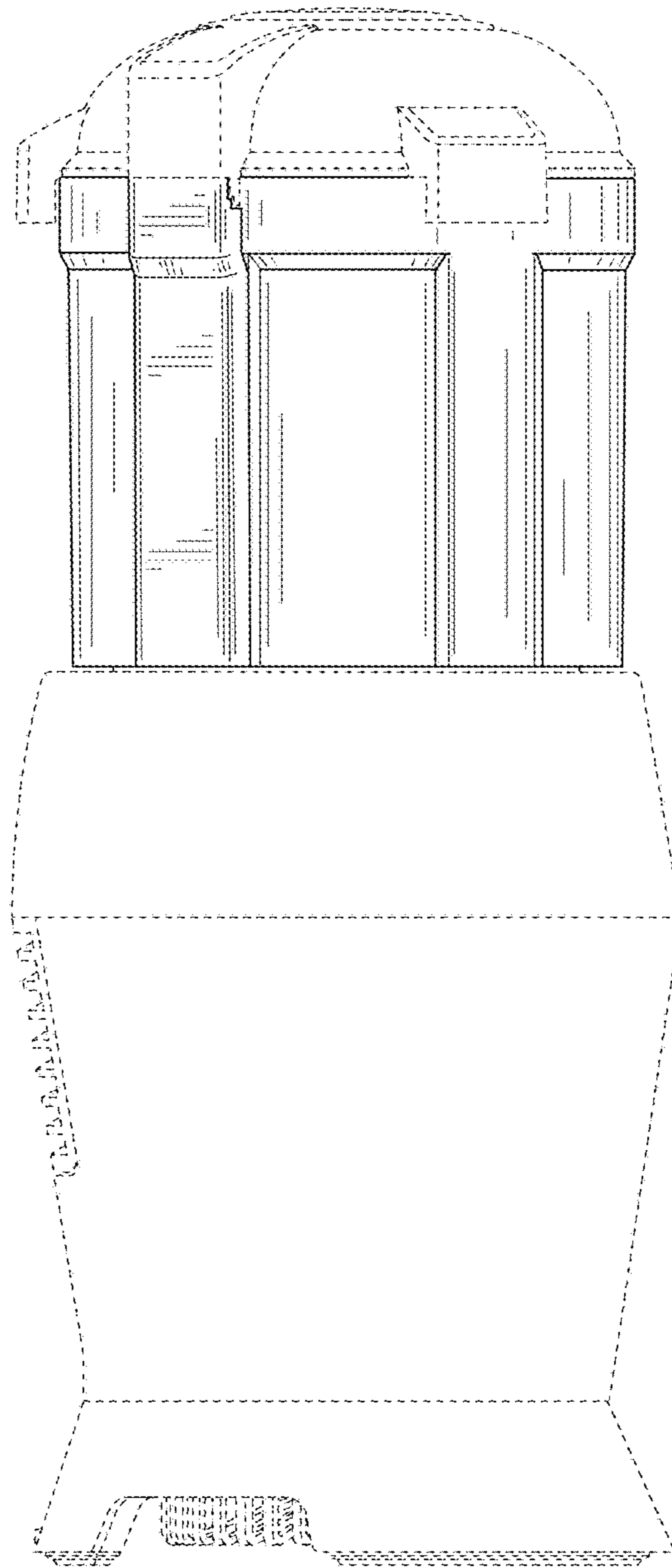


FIG. 12

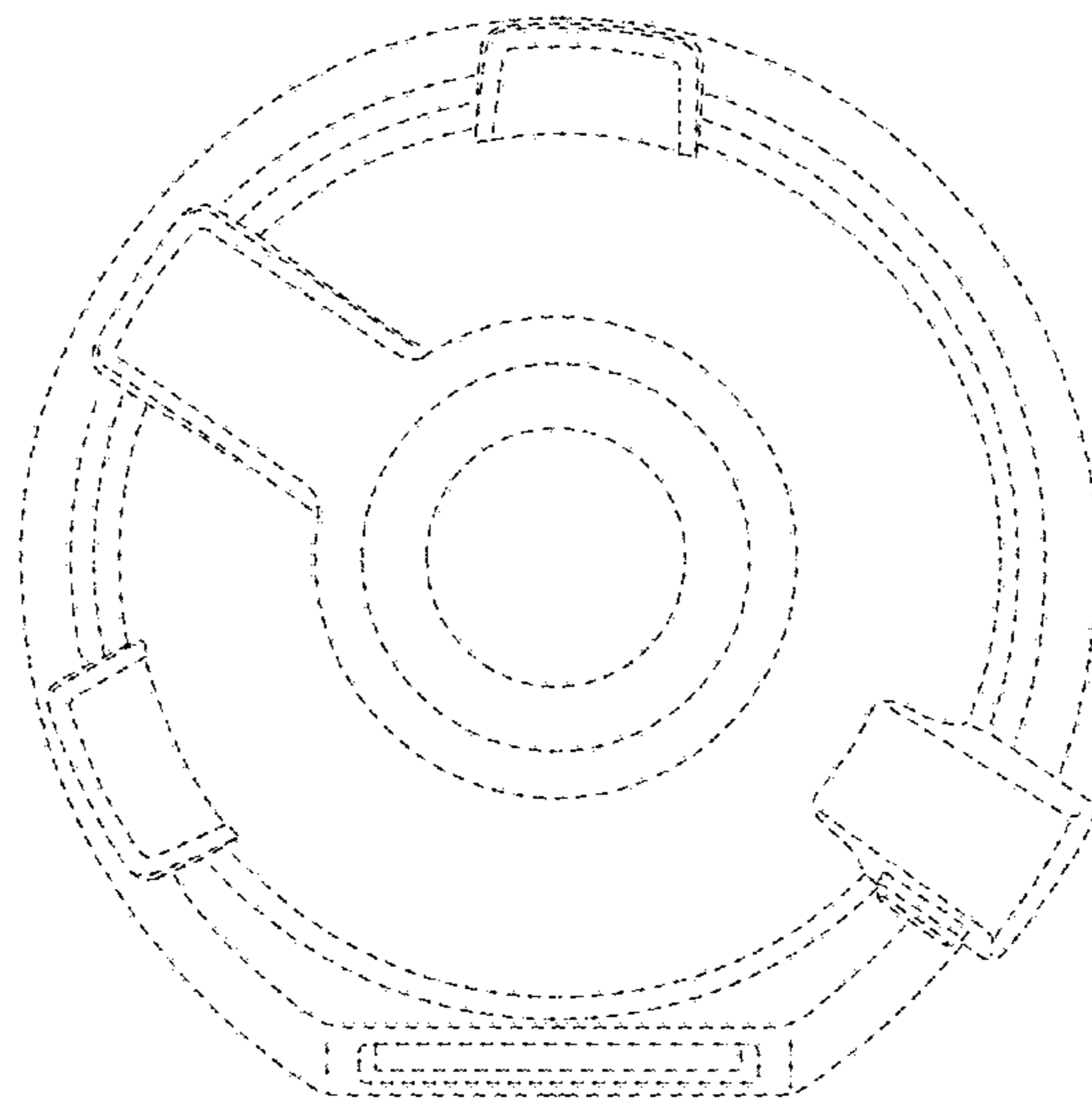


FIG. 13

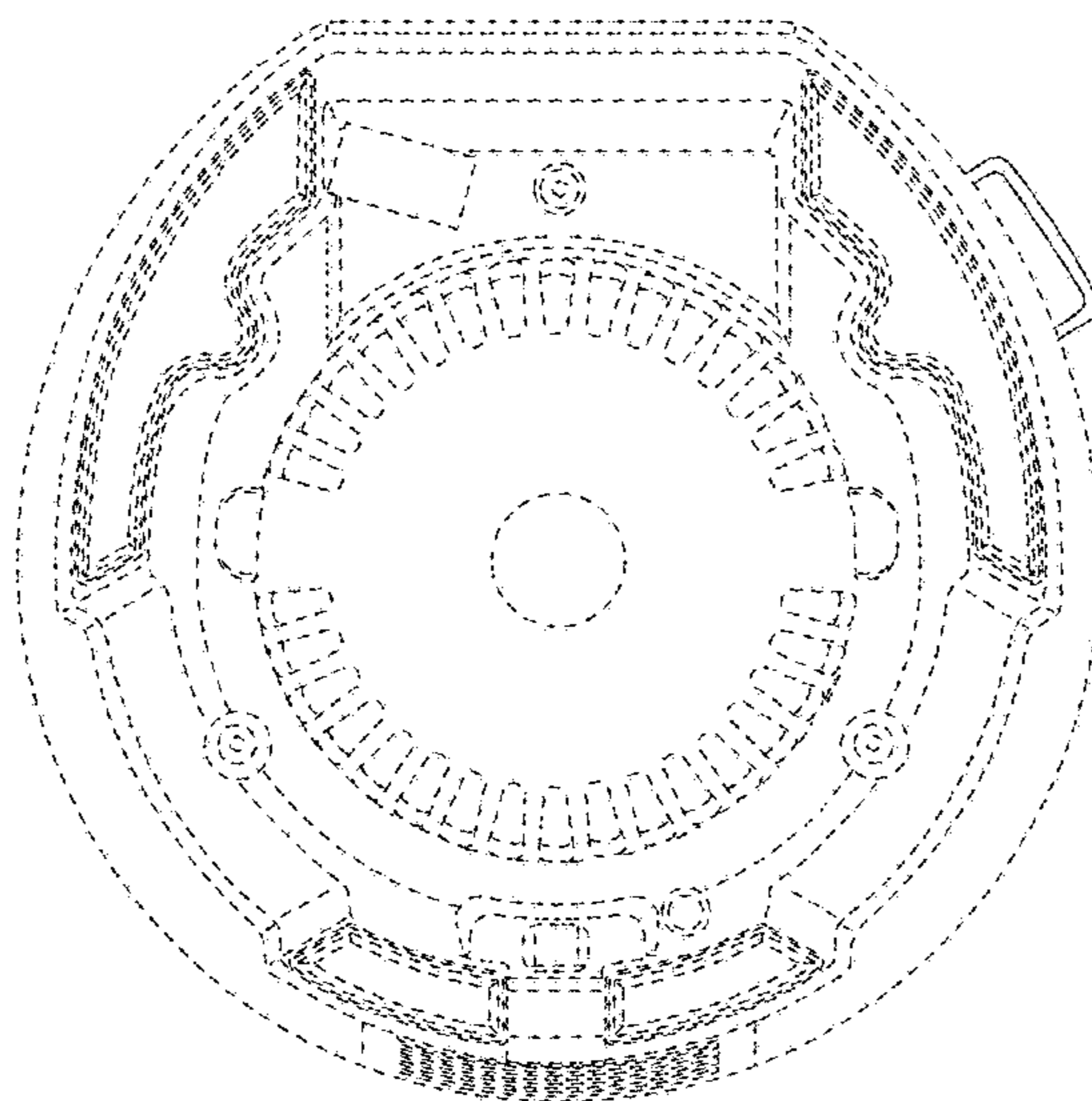


FIG. 14

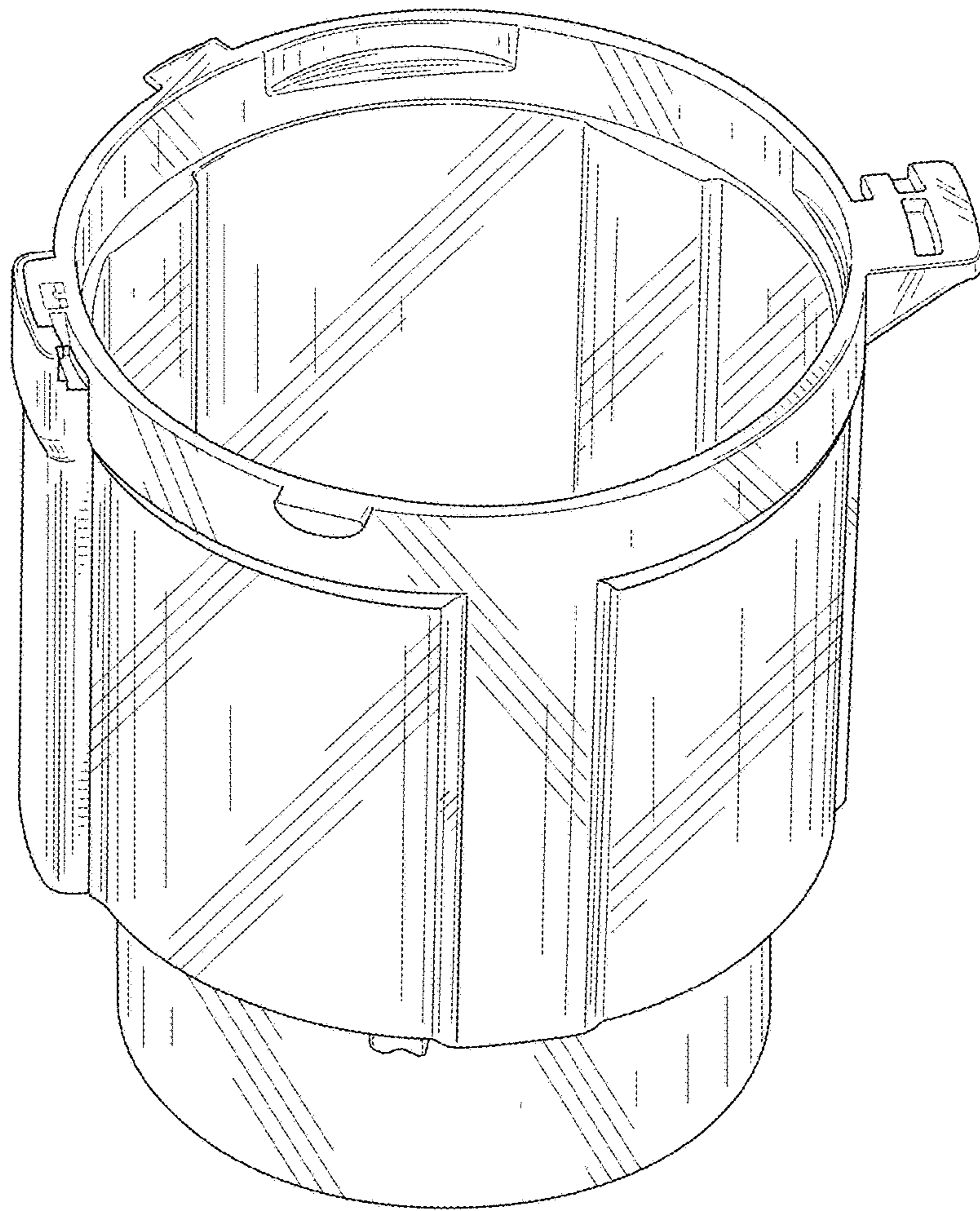


FIG. 15



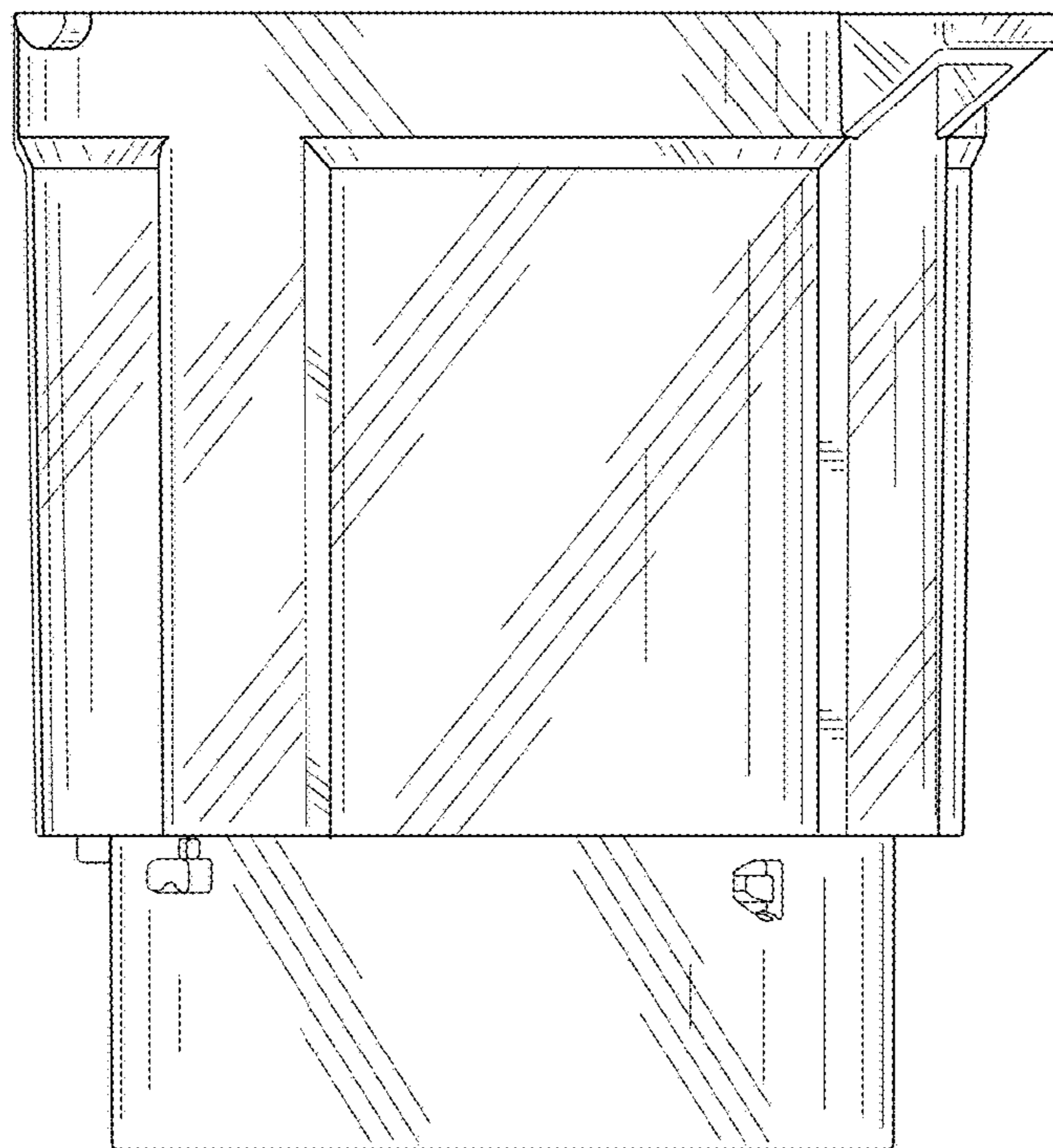


FIG. 16

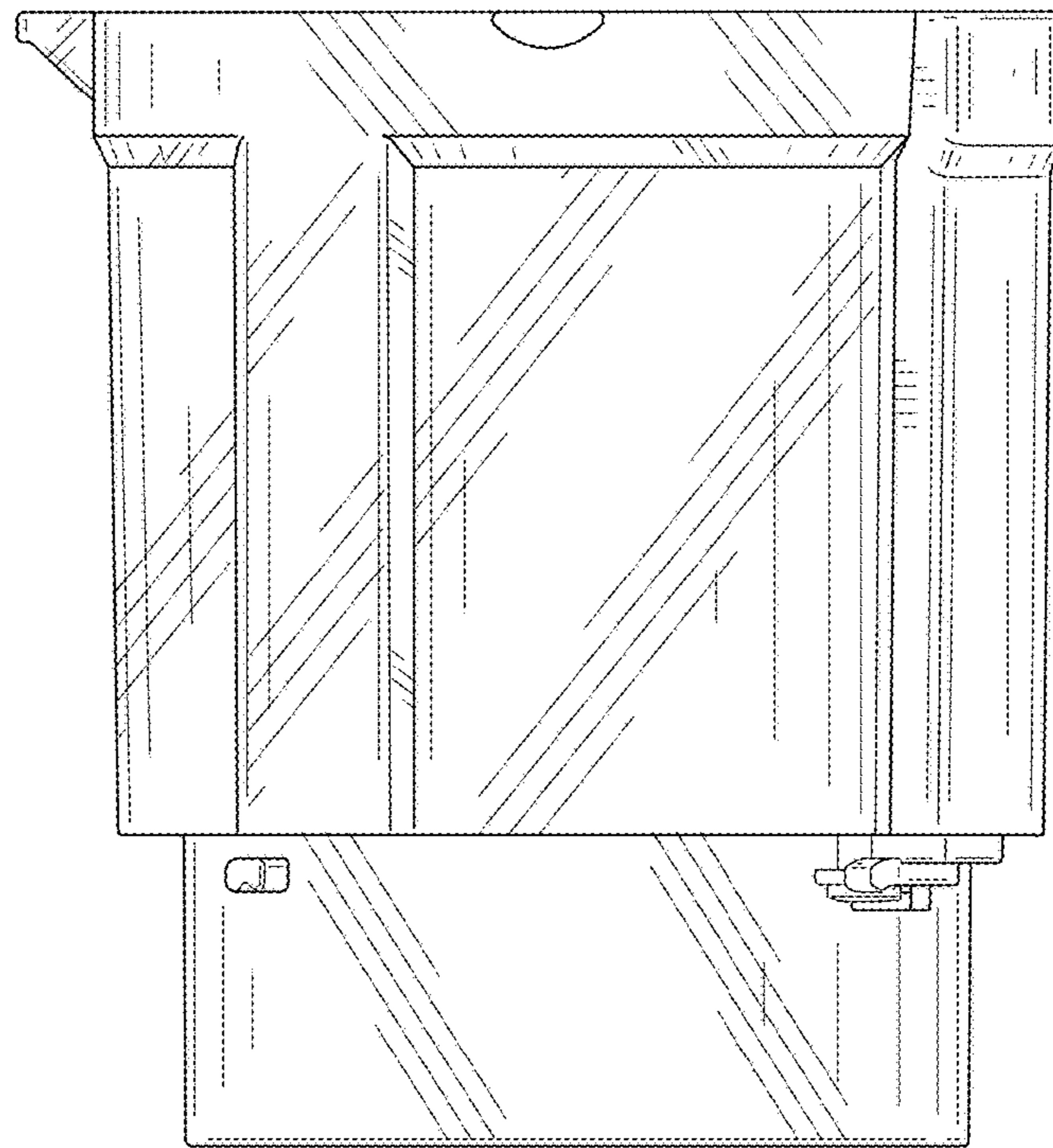


FIG. 17

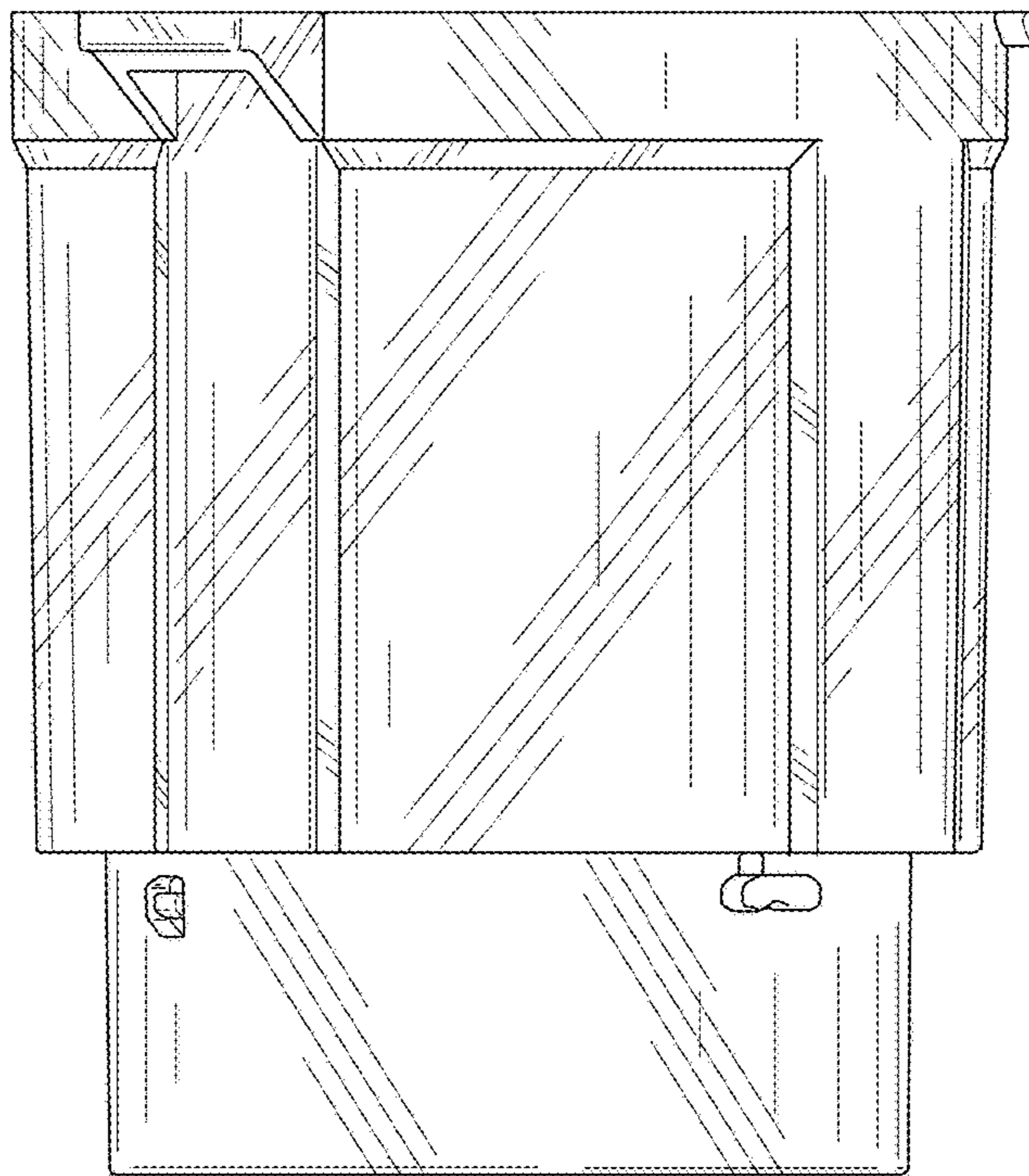


FIG. 18

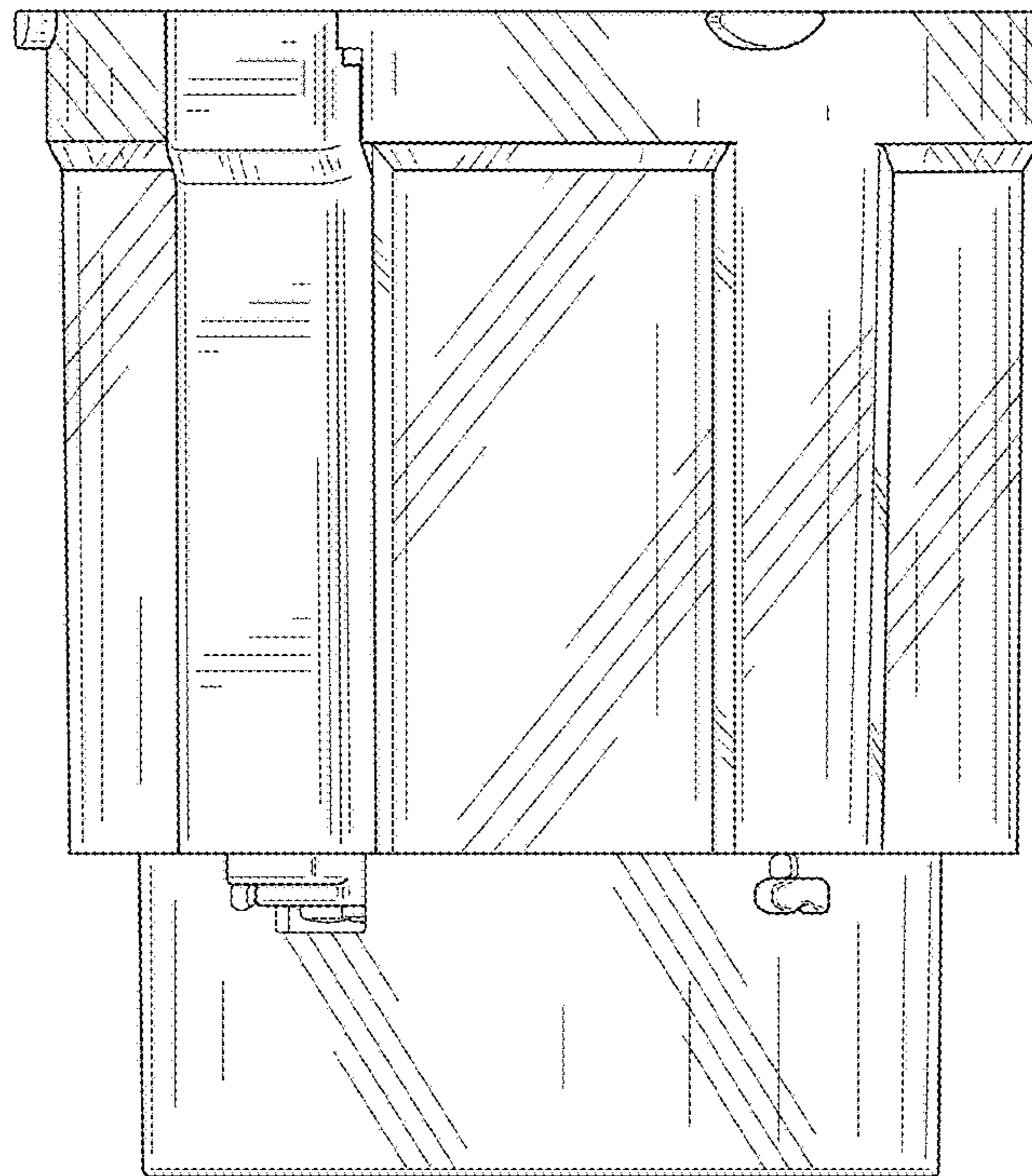


FIG. 19

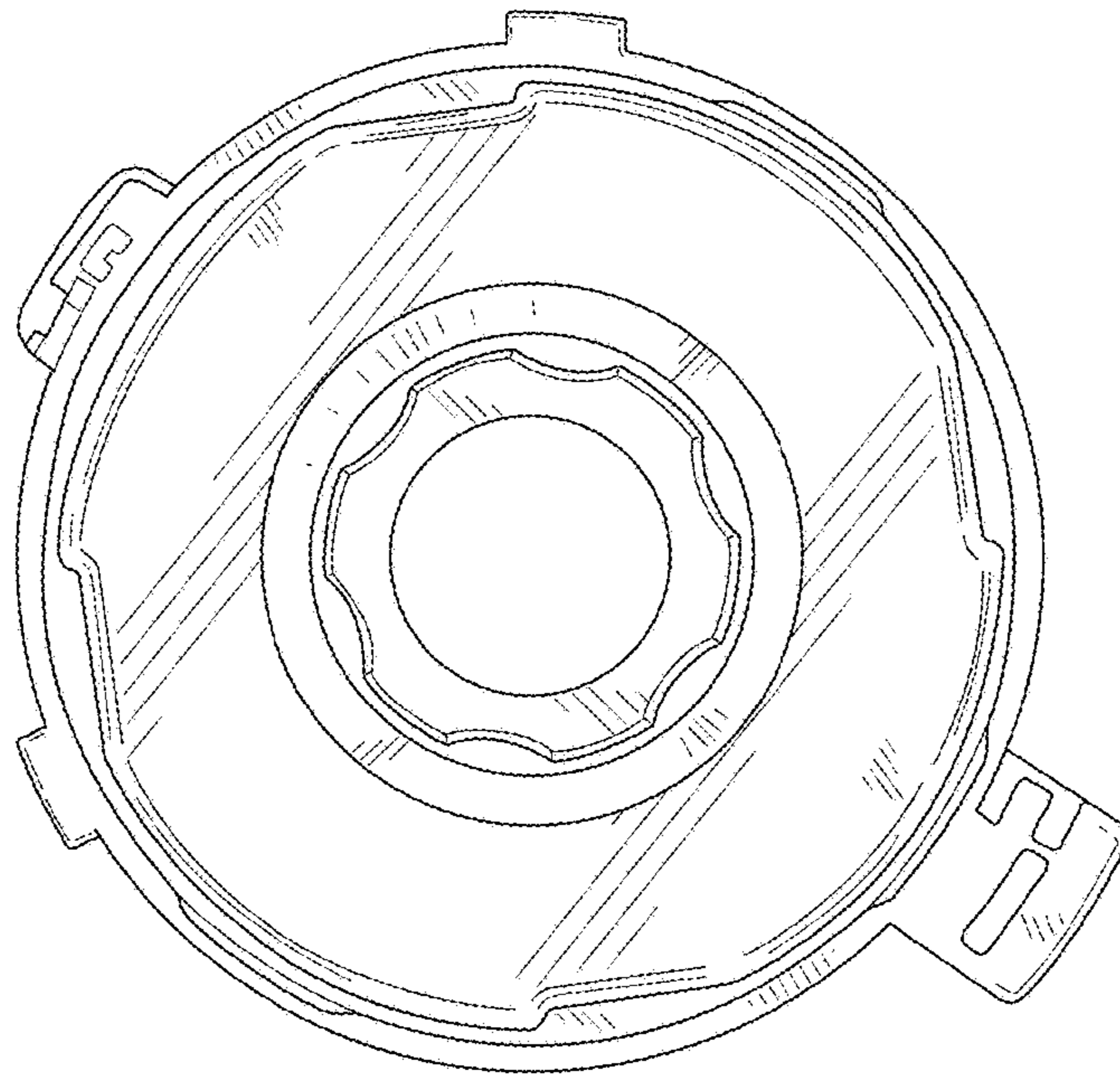


FIG. 20

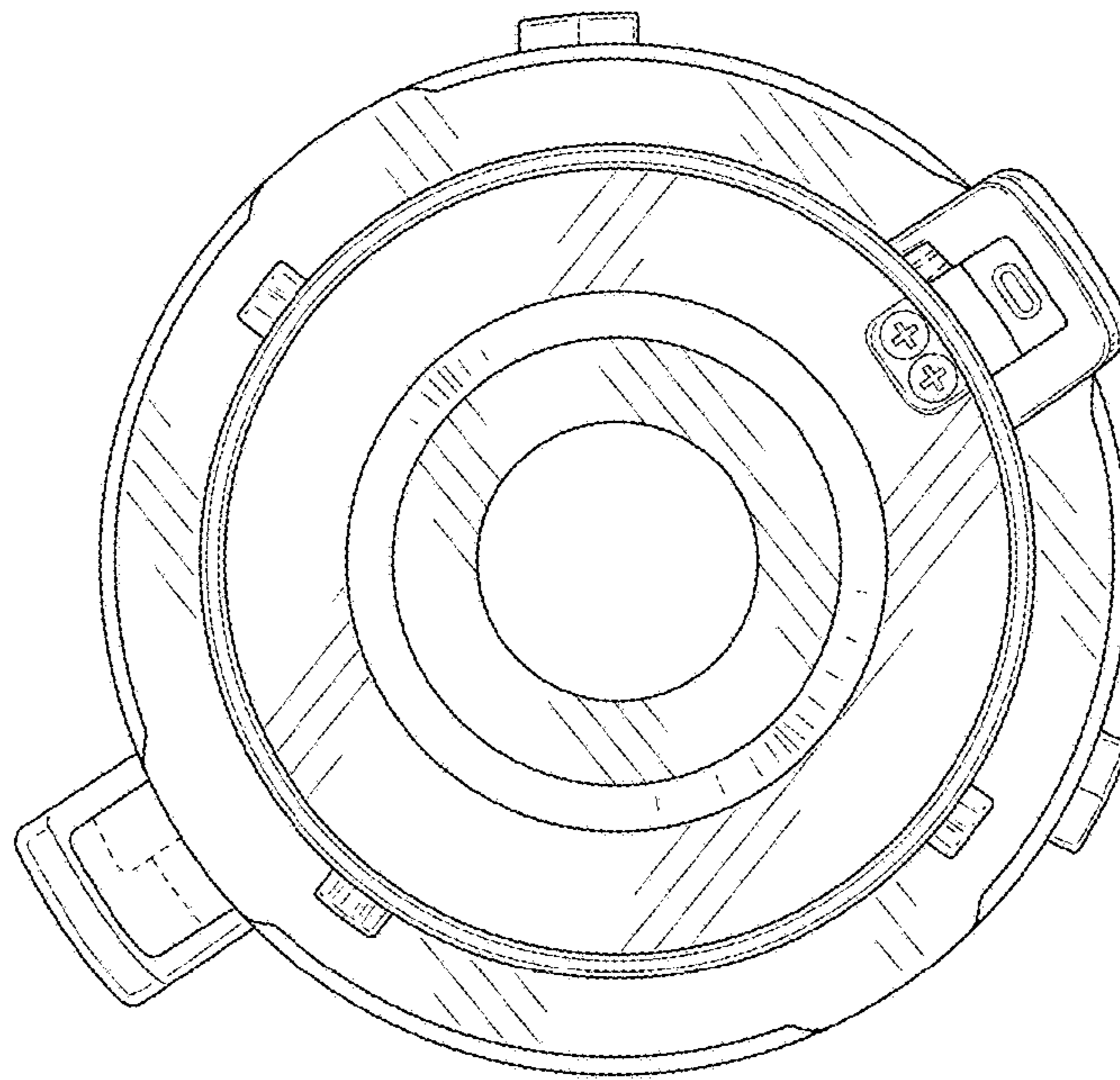


FIG. 21

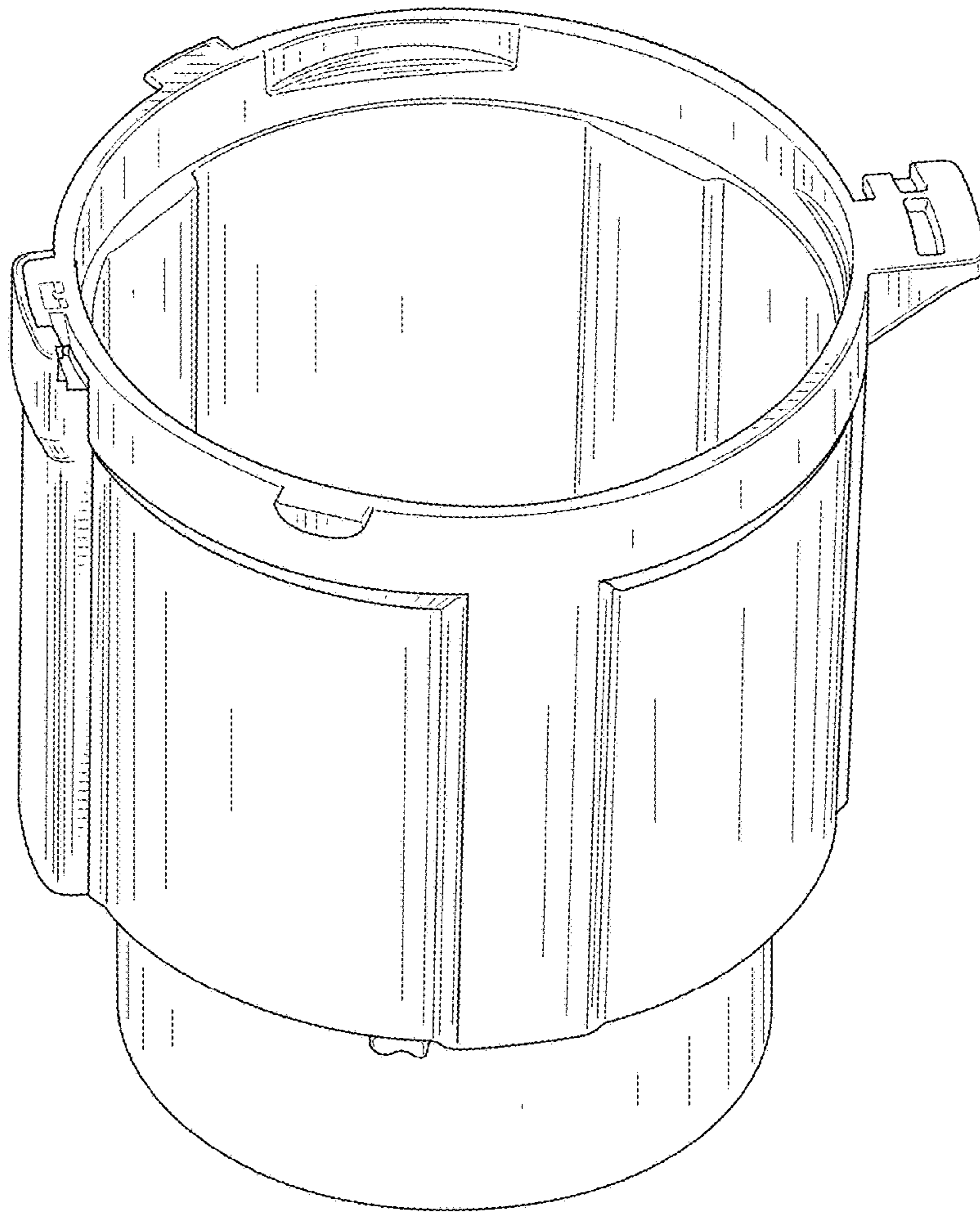


FIG. 22

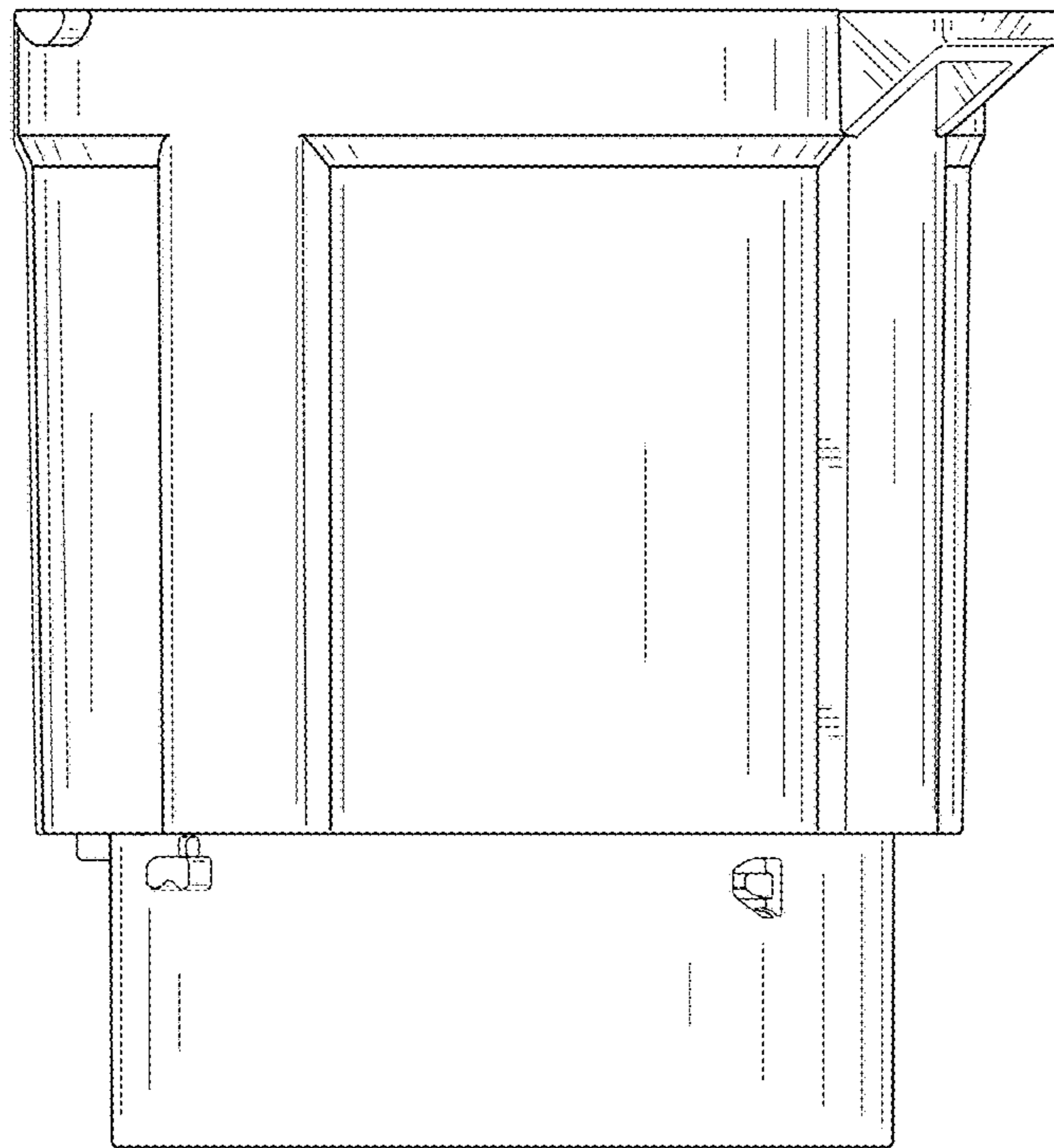


FIG. 23



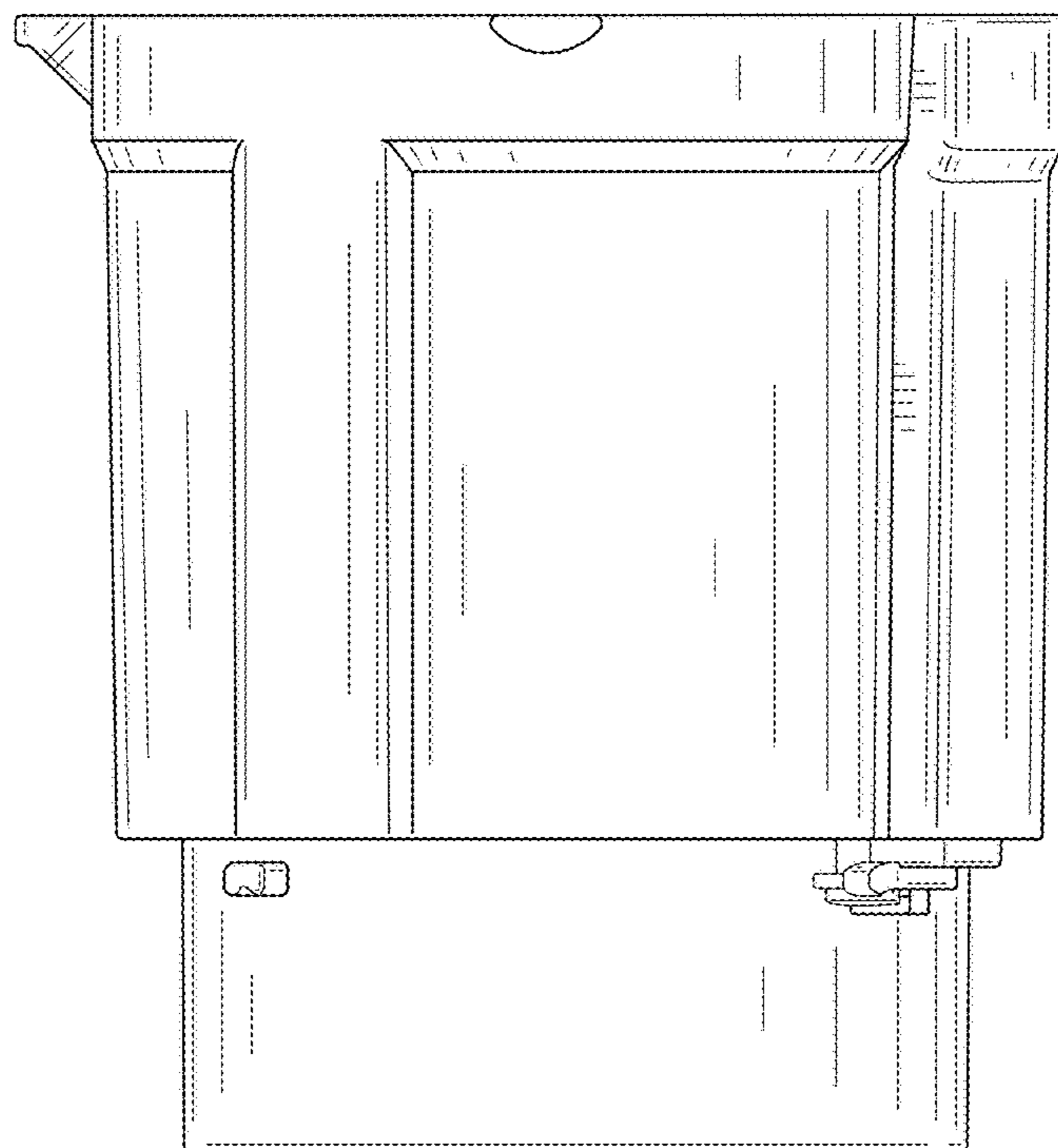


FIG. 24

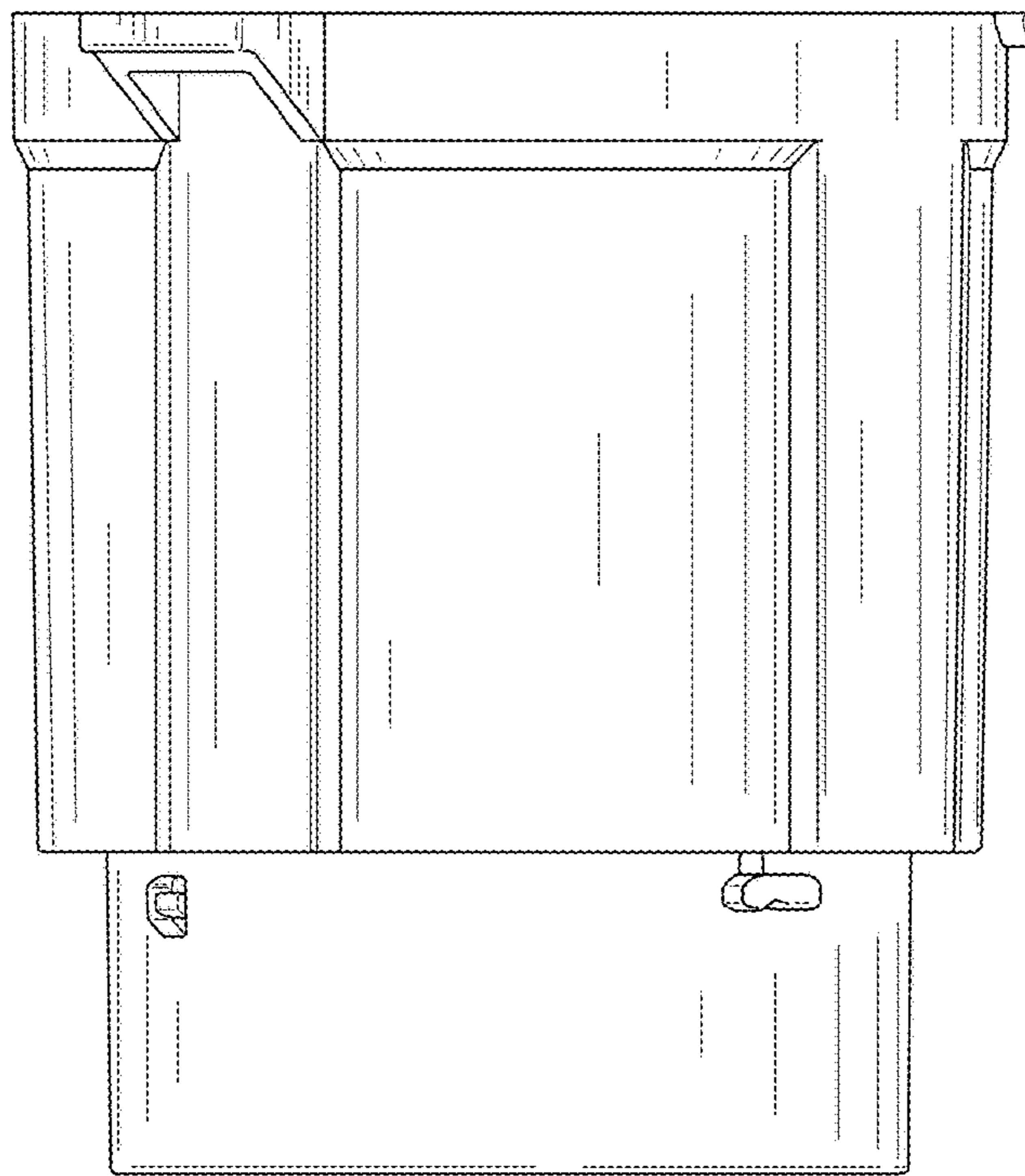


FIG. 25

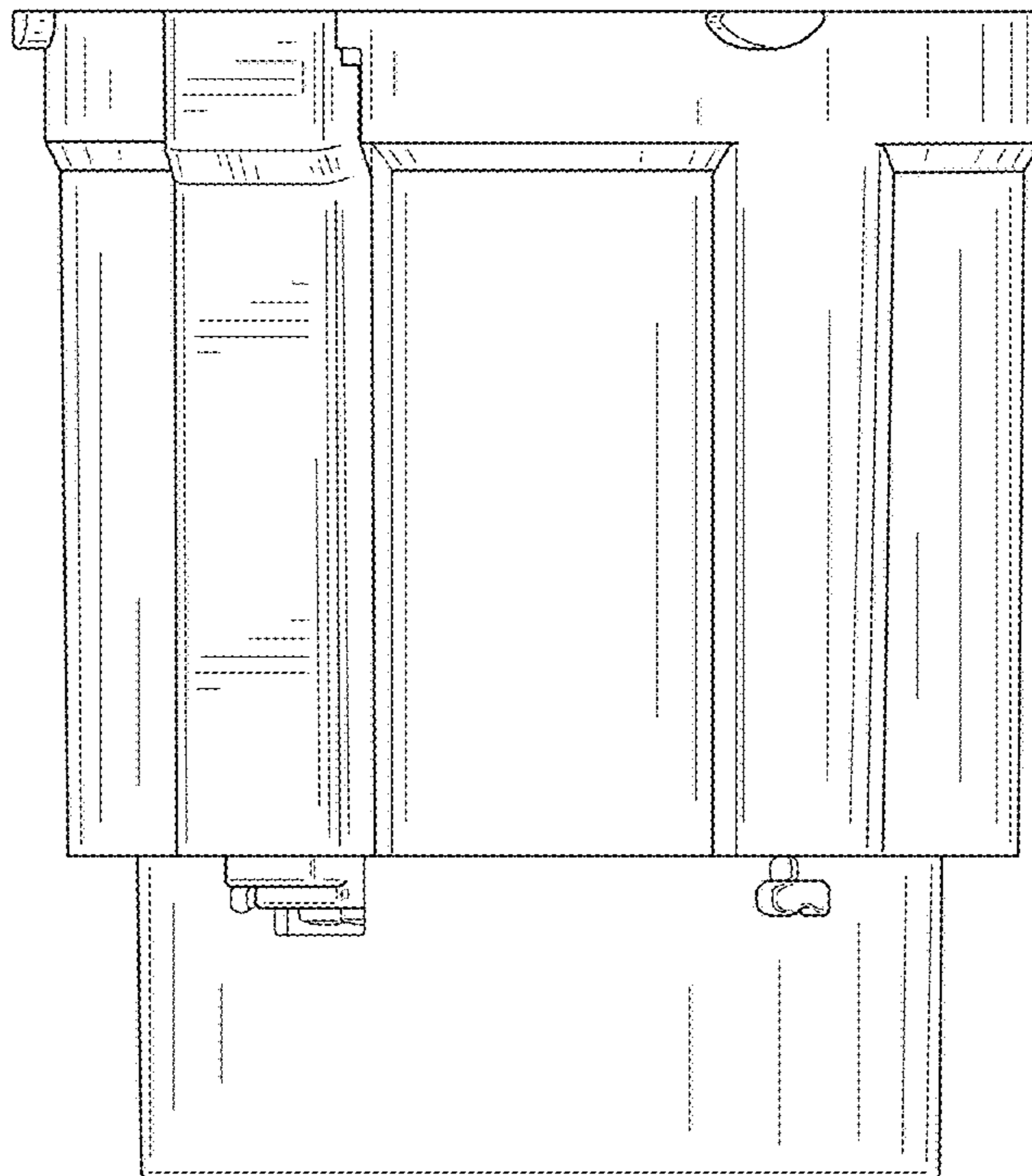


FIG. 26

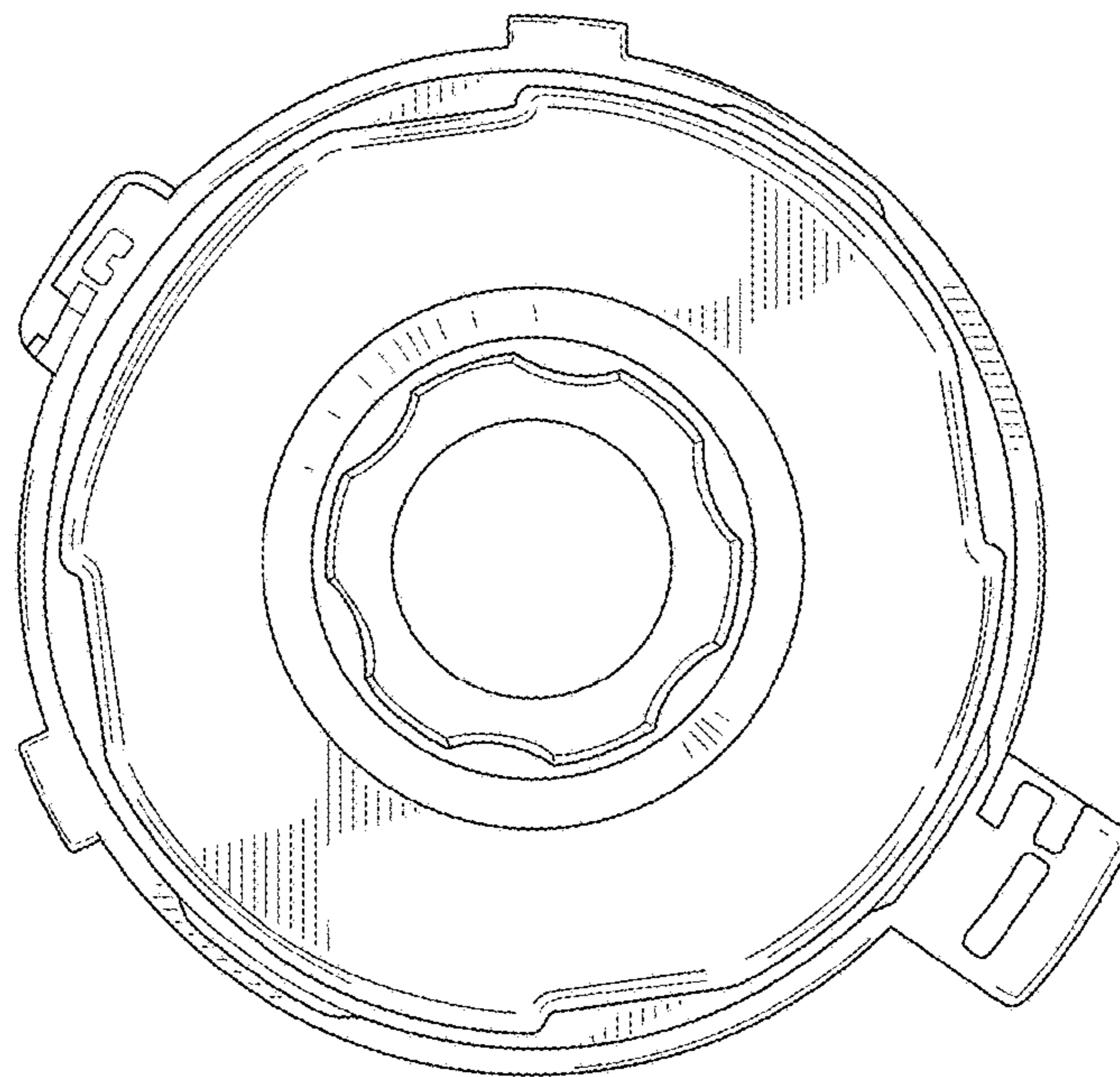


FIG. 27

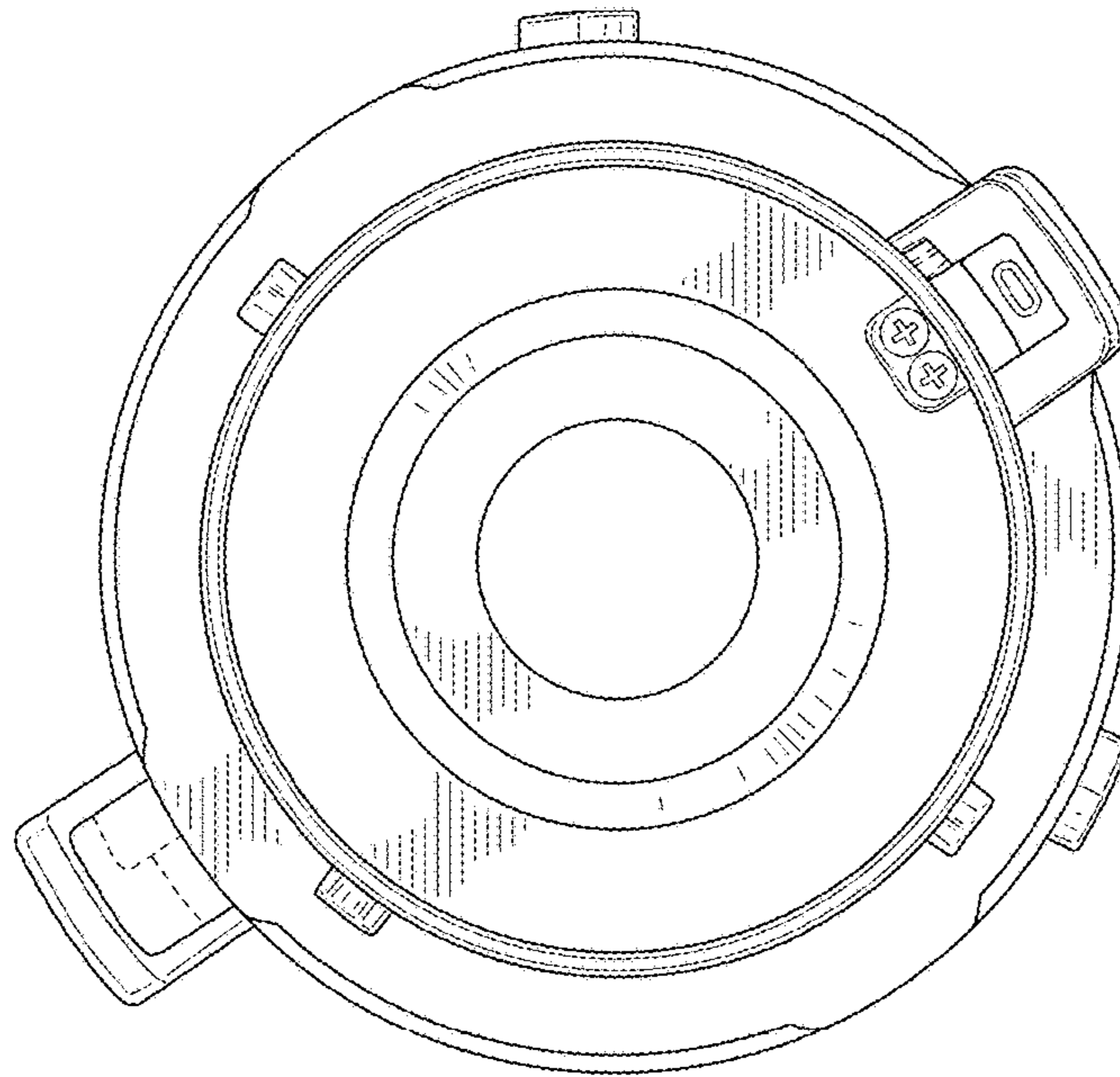


FIG. 28