

US00D846349S

(12) **United States Design Patent** (10) **Patent No.:** **US D846,349 S**
Funnell, II et al. (45) **Date of Patent:** **** Apr. 23, 2019**

(54) **CONTROL PANEL FOR OVEN**

(56) **References Cited**

(71) Applicant: **BSH Home Appliances Corporation**, Irvine, CA (US)

U.S. PATENT DOCUMENTS

(72) Inventors: **Richard W. Funnell, II**, Huntington Beach, CA (US); **Andrew Roberson**, Long Beach, CA (US); **Graham Sadtler**, Huntington Beach, CA (US)

D628,457 S *	12/2010	Bengtson	D8/311
D703,998 S *	5/2014	Funnell, II	D7/393
D736,027 S *	8/2015	Funnell, II	D7/339
D736,553 S *	8/2015	Funnell, II	D7/339
D741,104 S *	10/2015	Funnell, II	D7/348
D745,310 S *	12/2015	Funnell, II	D7/349
D750,414 S *	3/2016	Funnell, II	D7/348
D763,617 S *	8/2016	Kim	D7/339
D789,740 S *	6/2017	Shoemaker	D7/406
D790,273 S *	6/2017	Vergin	D7/406
D808,717 S *	1/2018	Funnell, II	D7/406
D817,694 S *	5/2018	Kim	D7/349
D817,705 S *	5/2018	Kim	D7/405

(73) Assignee: **BSH Home Appliances Corporation**, Irvine, CA (US)

(**) Term: **15 Years**

* cited by examiner

(21) Appl. No.: **29/540,048**

Primary Examiner — Sheryl Lane

(22) Filed: **Sep. 21, 2015**

Assistant Examiner — Nicole C Shiflet

(74) *Attorney, Agent, or Firm* — Michael E. Tschupp; Andre Pallapies; Brandon G. Braun

Related U.S. Application Data

(62) Division of application No. 29/456,401, filed on May 31, 2013, now Pat. No. Des. 745,310.

(57) **CLAIM**

The ornamental design for a control panel for oven, as shown and described.

(51) **LOC (11) Cl.** **07-02**

DESCRIPTION

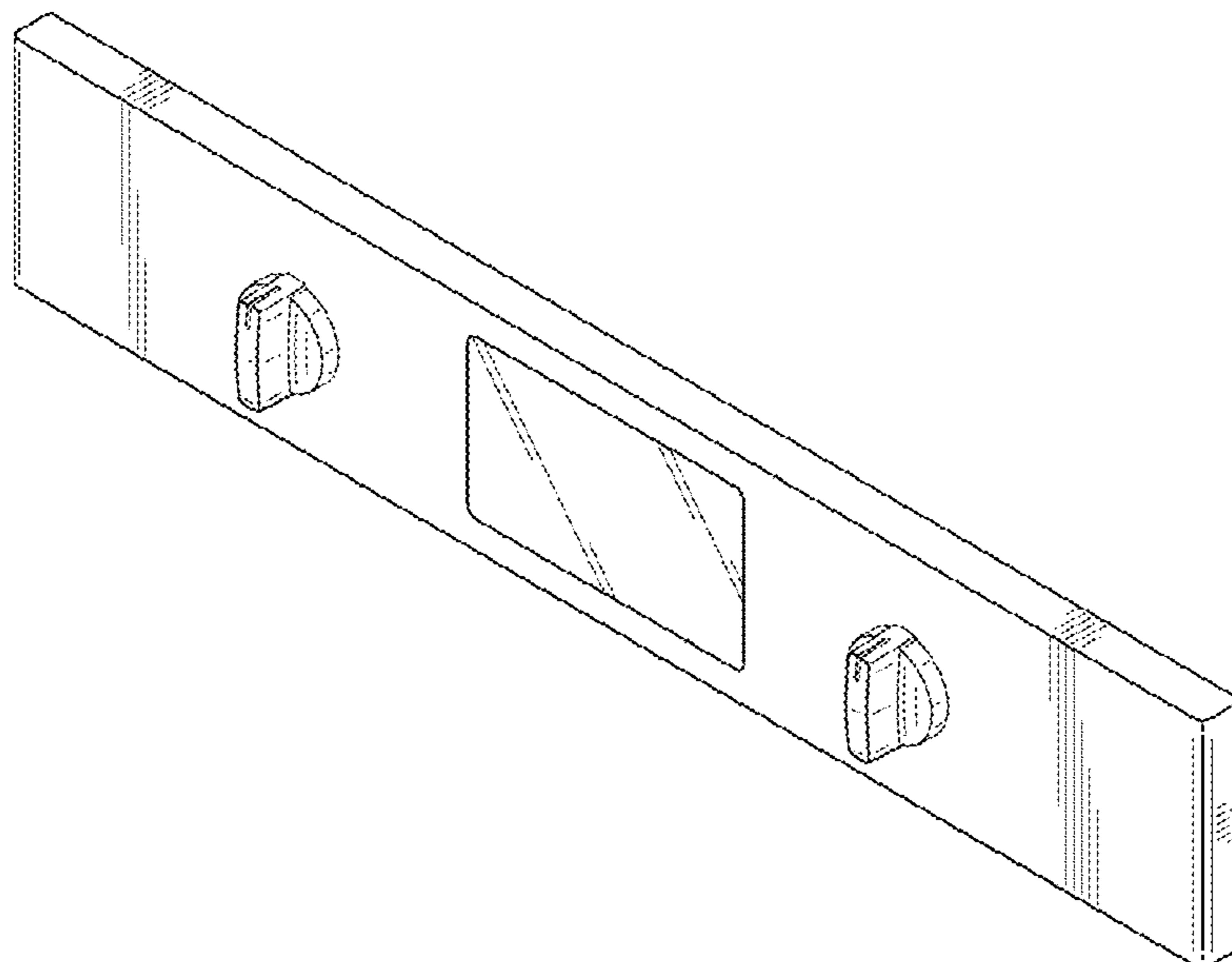
(52) **U.S. Cl.**
USPC **D7/406**

(58) **Field of Classification Search**
USPC D7/387, 402-409, 393, 394, 323, 331, D7/332-337, 339, 340, 346-349, 351, D7/354, 358; D12/500, 501, 502, 204
CPC F24C 15/36; F24C 15/107; F24C 15/024; F24C 3/08; F24C 3/124; F24C 7/08; F24C 7/081; F24C 7/082; F24C 7/087; A47J 37/042; A47J 37/07; A47J 37/12; A47J 37/129; A47J 37/1295

FIG. 1 is a front perspective view of a control panel for oven of our new ornamental design;
FIG. 2 a front view thereof;
FIG. 3 is a top view thereof;
FIG. 4 is a bottom view thereof;
FIG. 5 is a right side view thereof, with the left side view thereof being a mirror image thereof; and,
FIG. 6 is a similar perspective view thereof in a sample environmental setting.
The broken lines represent environment and form no part of the claimed design.

See application file for complete search history.

1 Claim, 3 Drawing Sheets



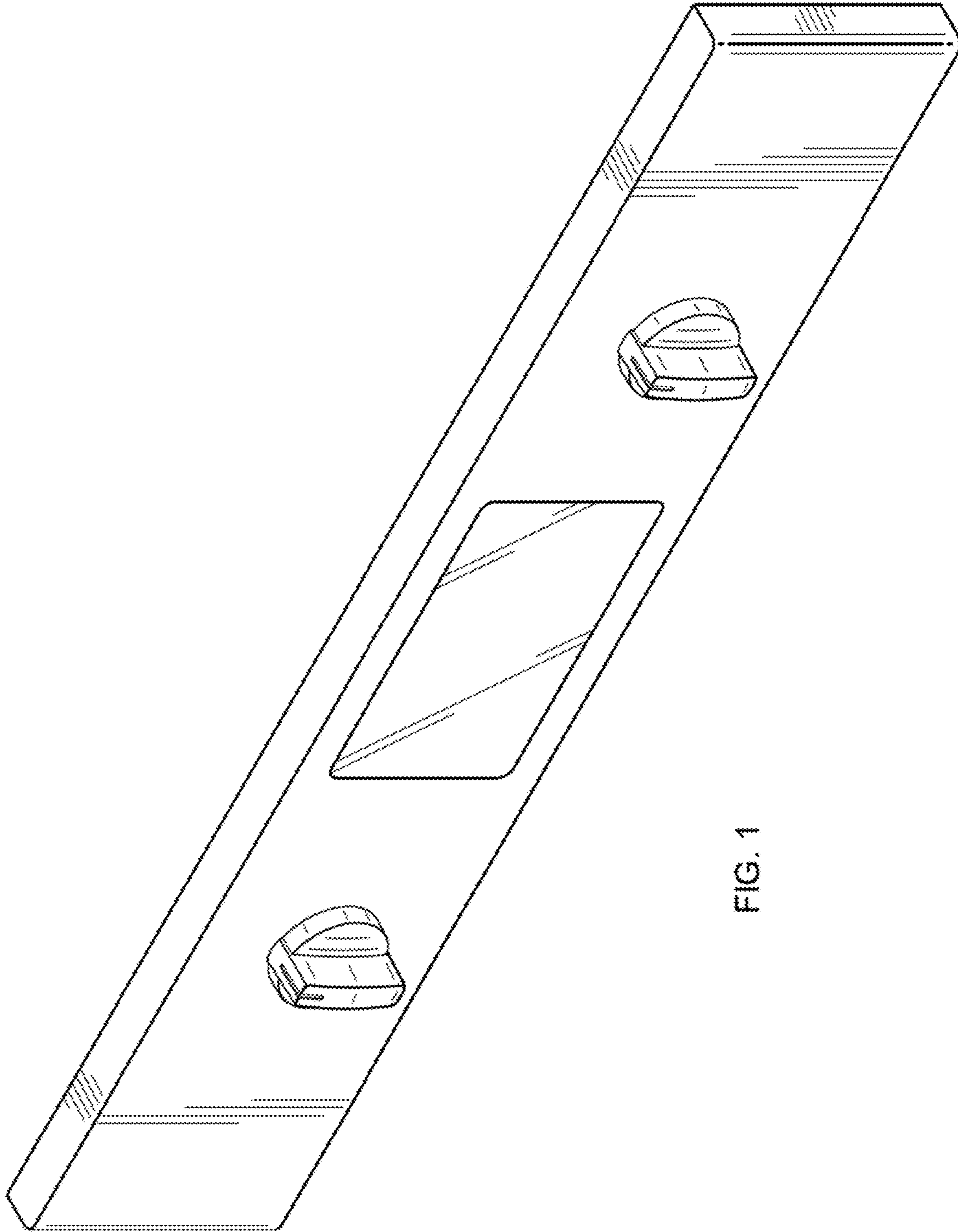


FIG. 1

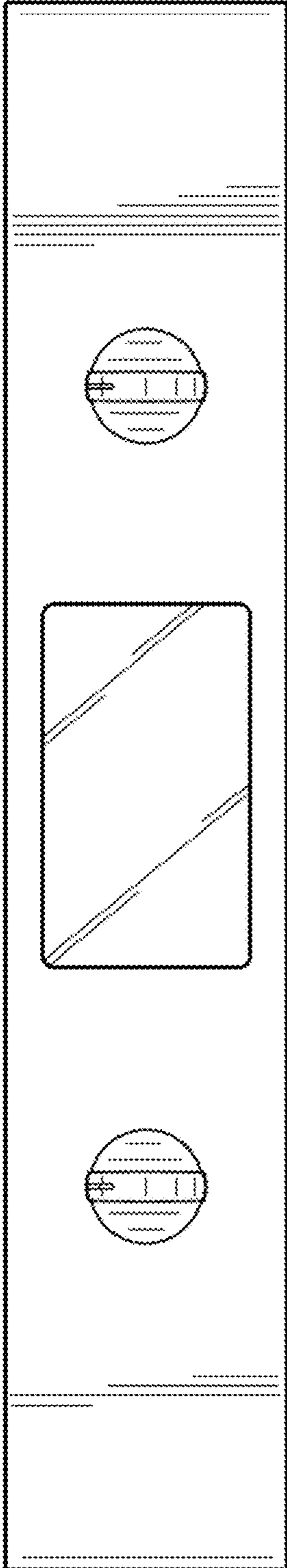


FIG. 2

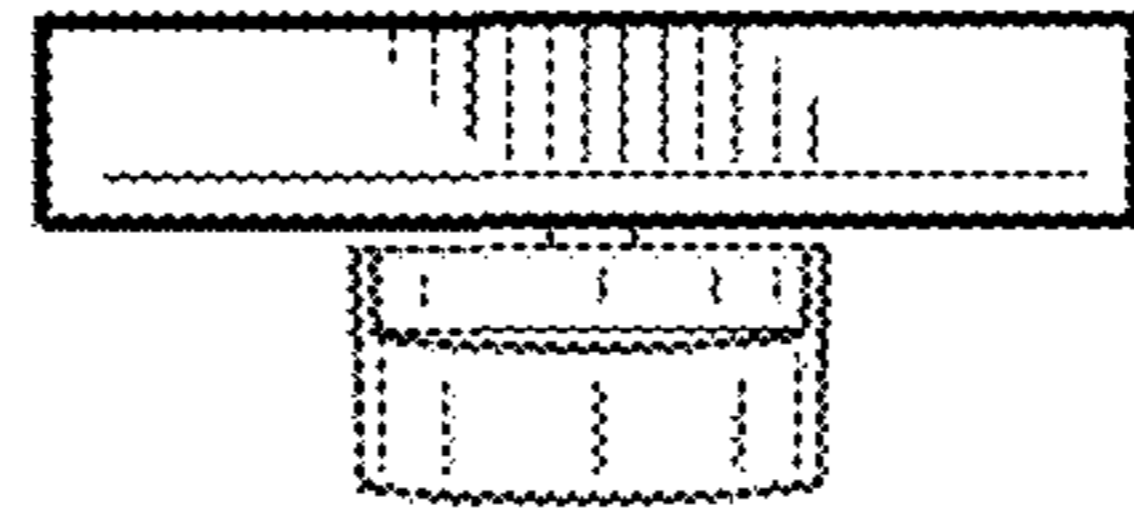


FIG. 5

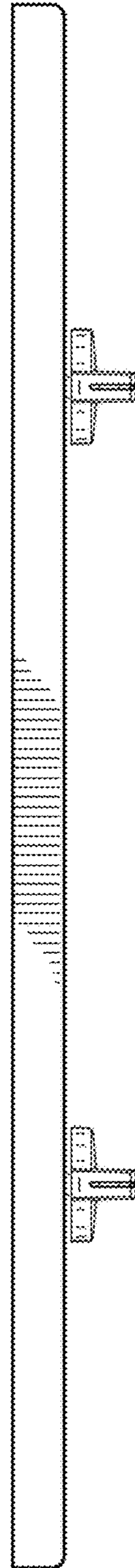


FIG. 3

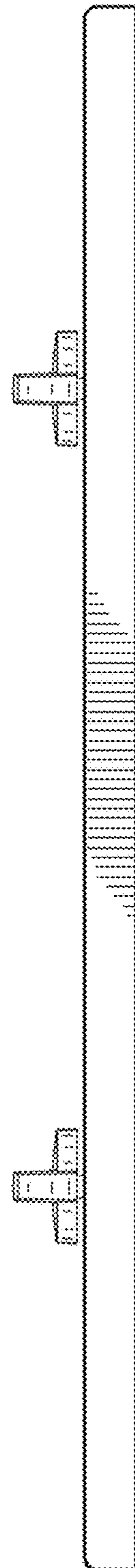


FIG. 4

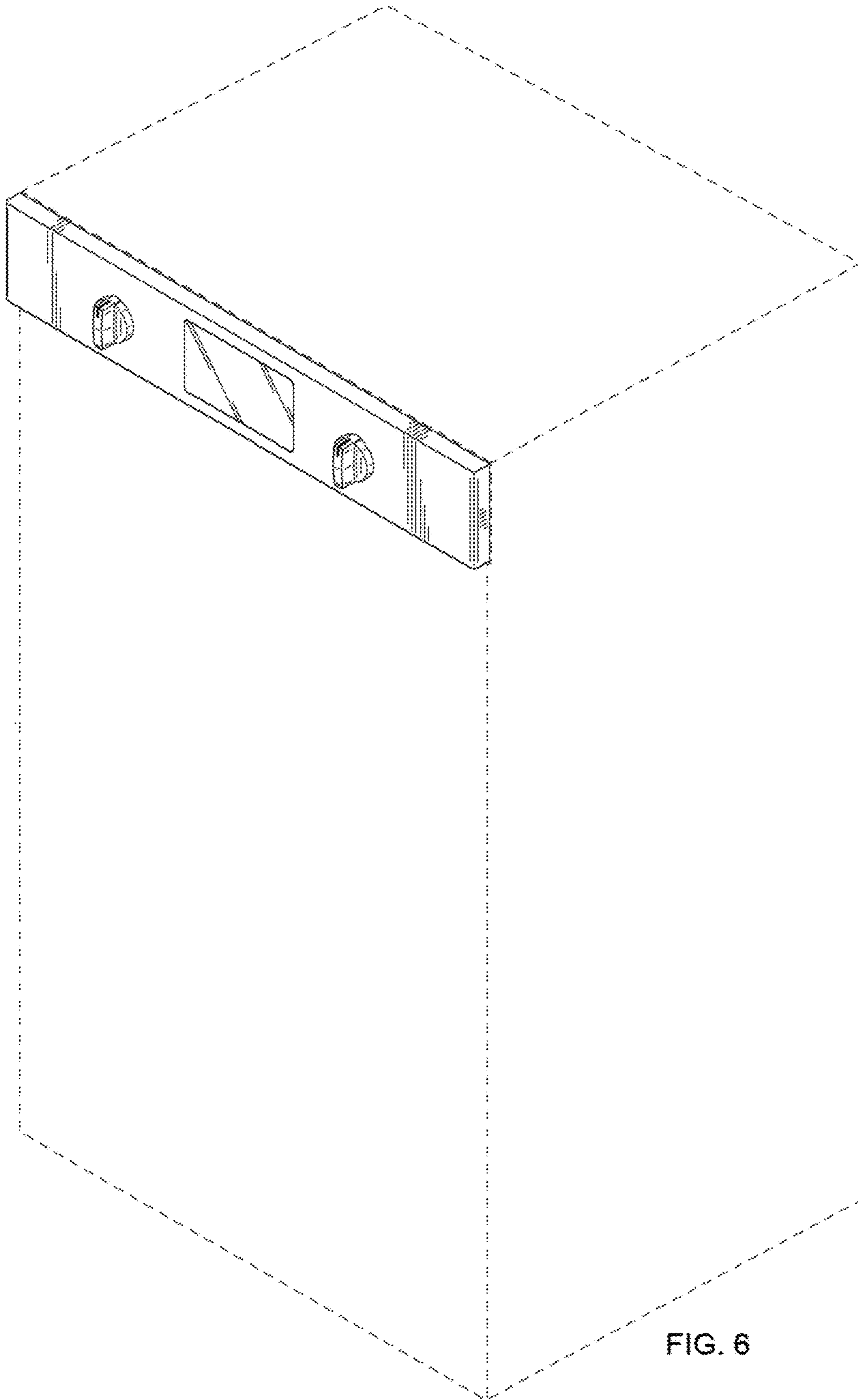


FIG. 6