

US00D846348S

(12) **United States Design Patent** (10) **Patent No.:** **US D846,348 S**
Nilssen (45) **Date of Patent:** **** Apr. 23, 2019**

(54) **GRILL BASE**
(71) Applicant: **Hestan Commercial Corporation,**
Anaheim, CA (US)
(72) Inventor: **Ray Nilssen,** Fairhope, AL (US)
(73) Assignee: **Hestan Commercial Corporation,**
Anaheim, CA (US)
(**) Term: **15 Years**
(21) Appl. No.: **29/556,521**
(22) Filed: **Mar. 1, 2016**

5,891,498 A * 4/1999 Boehler A23B 4/052
426/314
D450,215 S * 11/2001 Wood D7/334
D462,227 S 9/2002 Alden et al.
D465,693 S 11/2002 Coleman et al.
D494,004 S 8/2004 Chapman
D503,306 S 3/2005 Huang

(Continued)

Primary Examiner — Sheryl Lane
Assistant Examiner — Nicole C Shiflet
(74) *Attorney, Agent, or Firm* — Akerman LLP

(57) **CLAIM**

The ornamental design for a grill base, as shown and described.

Related U.S. Application Data

(63) Continuation-in-part of application No. 29/550,112,
filed on Dec. 30, 2015.
(51) **LOC (11) Cl.** **07-02**
(52) **U.S. Cl.**
USPC **D7/403**
(58) **Field of Classification Search**
USPC D7/387, 402-409, 393, 394, 323, 331,
D7/332-337, 339, 340, 346-349, 351,
D7/354, 358; D12/500, 501, 502, 204
CPC F24C 15/36; F24C 15/107; F24C 15/024;
F24C 3/08; F24C 3/124; F24C 7/08;
F24C 7/081; F24C 7/082; F24C 7/087;
A47J 37/042; A47J 37/07; A47J 37/12;
A47J 37/129; A47J 37/1295
See application file for complete search history.

DESCRIPTION

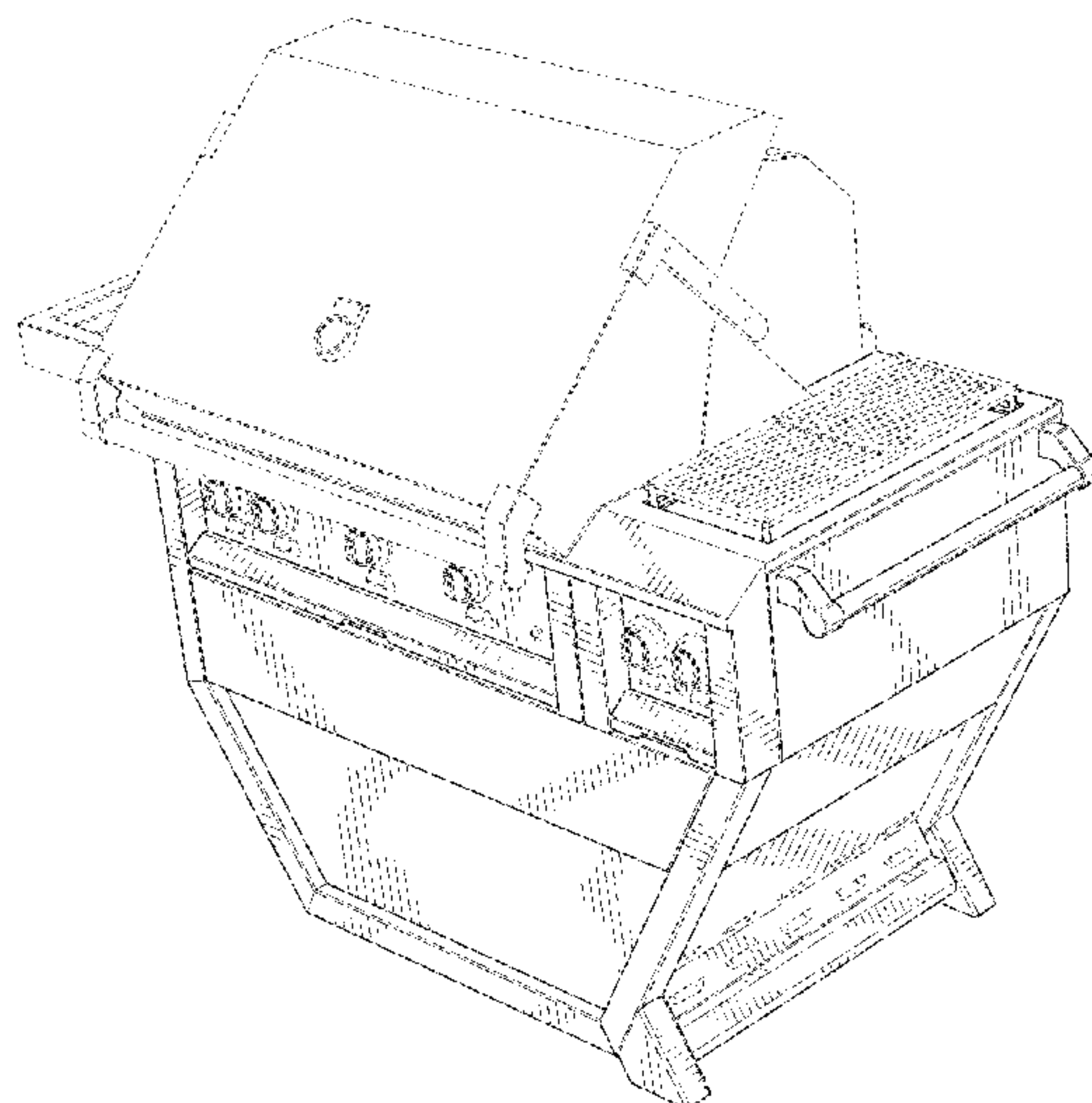
FIG. 1 is a perspective view of the “grill base” showing my new design;
FIG. 2 is a bottom perspective view of the embodiment of FIG. 1;
FIG. 3 is a front view of the embodiment of FIG. 1;
FIG. 4 is a back view of the embodiment of FIG. 1;
FIG. 5 is a right side view of the embodiment of FIG. 1;
FIG. 6 is a left side view of the embodiment of FIG. 1;
FIG. 7 is a top view of the embodiment of FIG. 1;
FIG. 8 is a bottom view of the embodiment of FIG. 1;
FIG. 9 is a perspective view of a second embodiment of the “grill base”;
FIG. 10 is a bottom perspective view of the embodiment of FIG. 9;
FIG. 11 is a front view of the embodiment of FIG. 9;
FIG. 12 is a back view of the embodiment of FIG. 9;
FIG. 13 is a right side view of the embodiment of FIG. 9;
FIG. 14 is a left side view of the embodiment of FIG. 9;
FIG. 15 is a top view of the embodiment of FIG. 9; and
FIG. 16 is a bottom view of the embodiment of FIG. 9.
The broken lines showing portions of the article and environment form no part of the claimed design.

(56) **References Cited**

U.S. PATENT DOCUMENTS

3,613,657 A * 10/1971 Wilska A47J 37/0713
126/41 R
D302,641 S * 8/1989 Elmburg D7/332
D323,444 S * 1/1992 Masters D7/332
D381,868 S * 8/1997 Schmitt D7/332

1 Claim, 16 Drawing Sheets



(56)

References Cited

U.S. PATENT DOCUMENTS

6,877,505 B1 *	4/2005	Den Hoed	F24B 1/207 126/276	D697,357 S	1/2014	Goecke et al.	
D521,307 S	5/2006	Parrant et al.		D708,889 S *	7/2014	Eisendrath	D7/332
D525,072 S	7/2006	Wilgus et al.		D722,467 S	2/2015	Chung	
D533,009 S	12/2006	Pai		D722,809 S	2/2015	Chung	
D533,010 S	12/2006	Pai		D722,810 S	2/2015	Chung	
D535,140 S *	1/2007	Thurman, Jr.	D7/335	D722,812 S	2/2015	Chung	
D535,846 S	1/2007	Debord et al.		D722,813 S	2/2015	Chung	
D560,416 S	1/2008	Sedberry et al.		D723,322 S	3/2015	Strauch et al.	
D569,168 S	5/2008	Pai		D723,860 S	3/2015	Chung	
D571,602 S	6/2008	Chung		D730,103 S *	5/2015	Manley	D7/334
D581,199 S	11/2008	Chau		D731,843 S	6/2015	Chung	
D584,562 S	1/2009	Chau et al.		D732,874 S	6/2015	Chung	
D586,609 S	2/2009	Chau		D736,026 S	8/2015	Kam et al.	
D615,799 S	5/2010	Best et al.		D747,911 S	1/2016	Sheppard	
D631,685 S	2/2011	Tiller et al.		D769,668 S	10/2016	Lally	
D635,814 S	4/2011	Leavens		D772,637 S	11/2016	Barquin et al.	
D646,121 S *	10/2011	Pickard	D7/334	D815,484 S *	4/2018	Wenzel	D7/334
D660,074 S	5/2012	Chung		2007/0204858 A1	9/2007	Abelbeck	
D677,111 S	3/2013	Chung		2008/0229937 A1	9/2008	Stephen et al.	
D688,510 S	8/2013	Stirn		2010/0297321 A1	11/2010	Strauch	
D688,512 S	8/2013	Chung		2011/0219958 A1	9/2011	Noble	
D693,624 S	11/2013	Chung		2013/0112088 A1	5/2013	May	
D694,056 S	11/2013	Dahle		2014/0318524 A1	10/2014	Measom et al.	
D694,568 S	12/2013	Alden et al.		2015/0004297 A1	1/2015	Potheses	
				2016/0198895 A1	7/2016	Turner	
				2016/0208837 A1	7/2016	Chang	
				2016/0360924 A1	12/2016	Bruin-Slot	

* cited by examiner

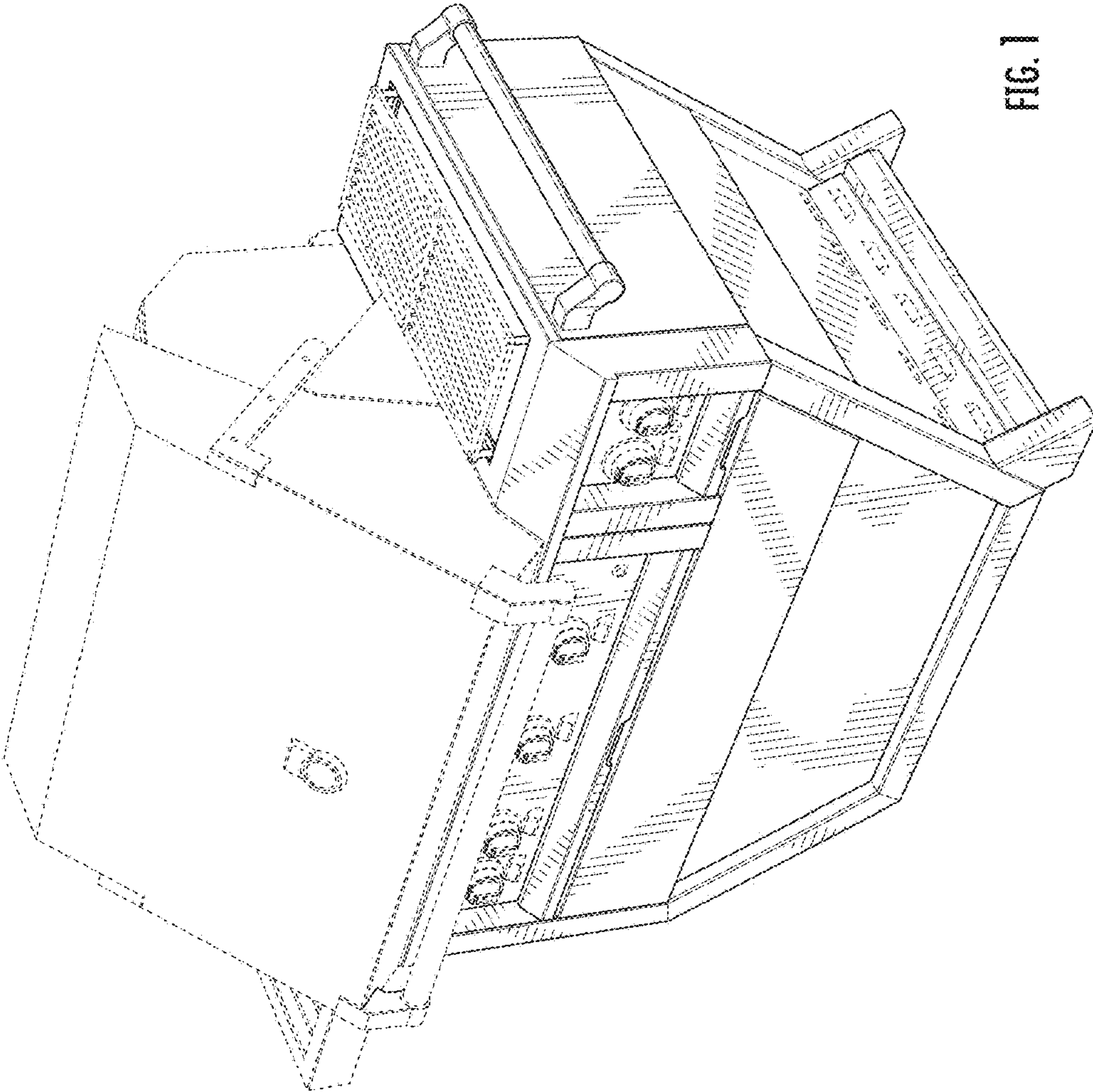


FIG. 1

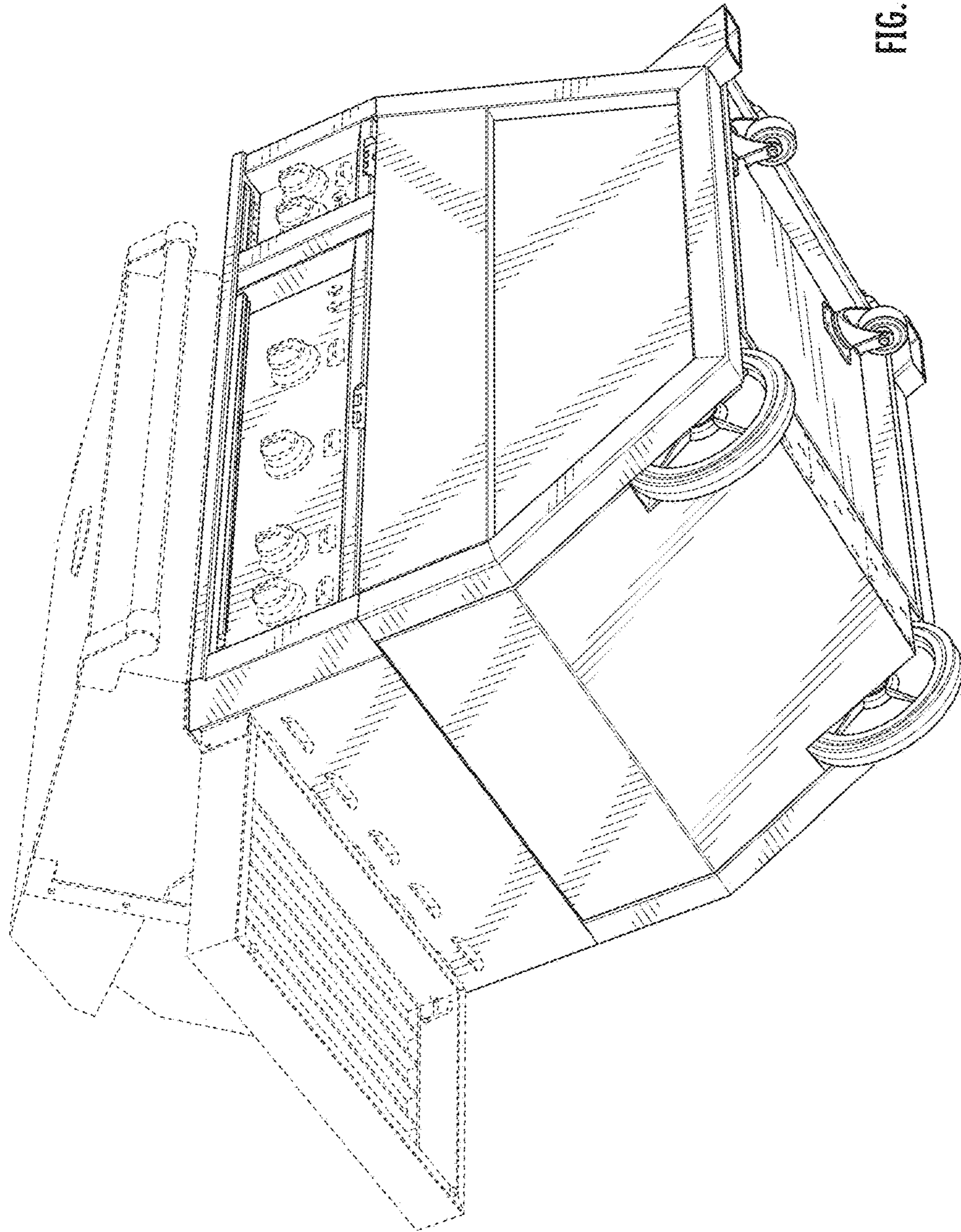


FIG. 2

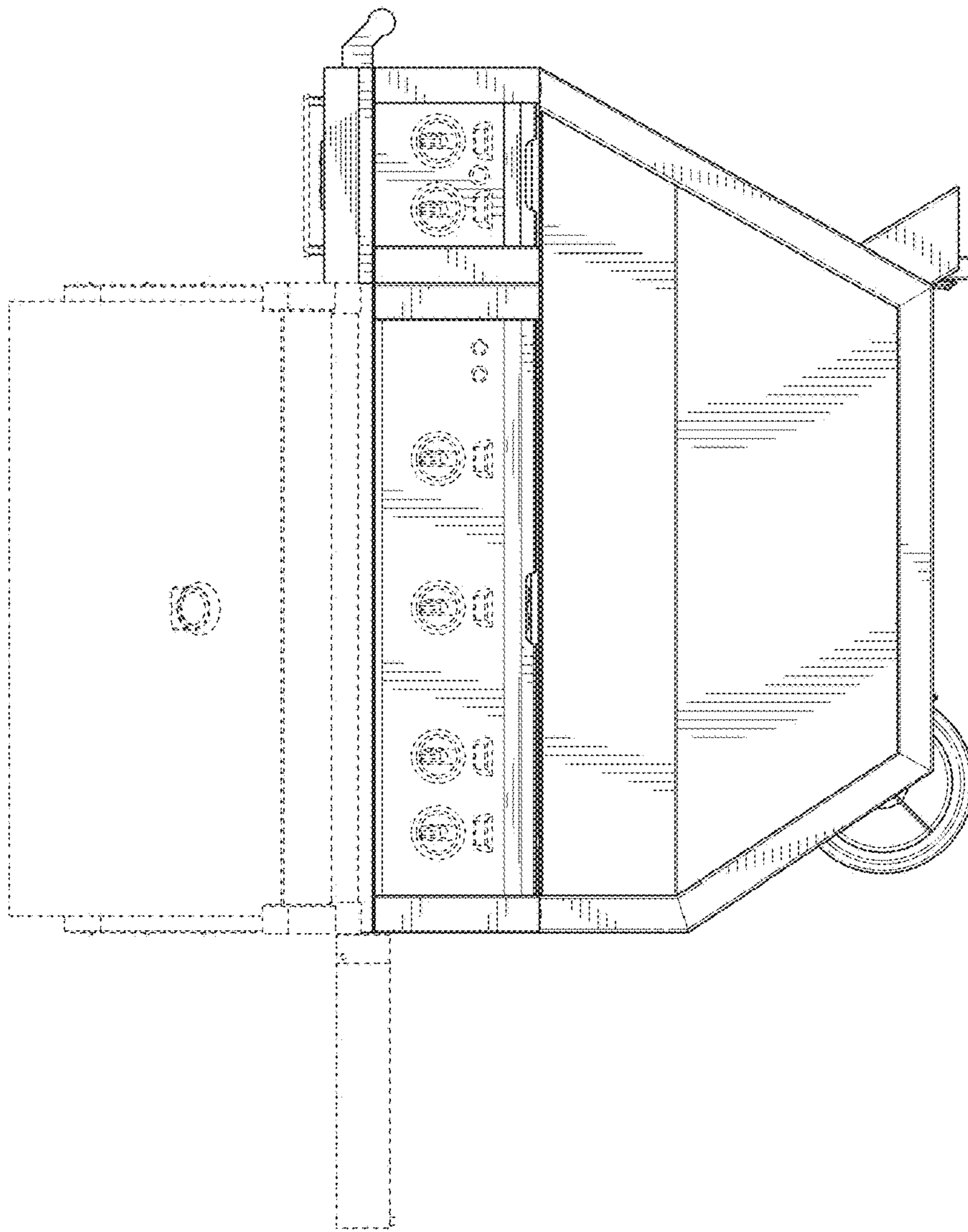


FIG. 3

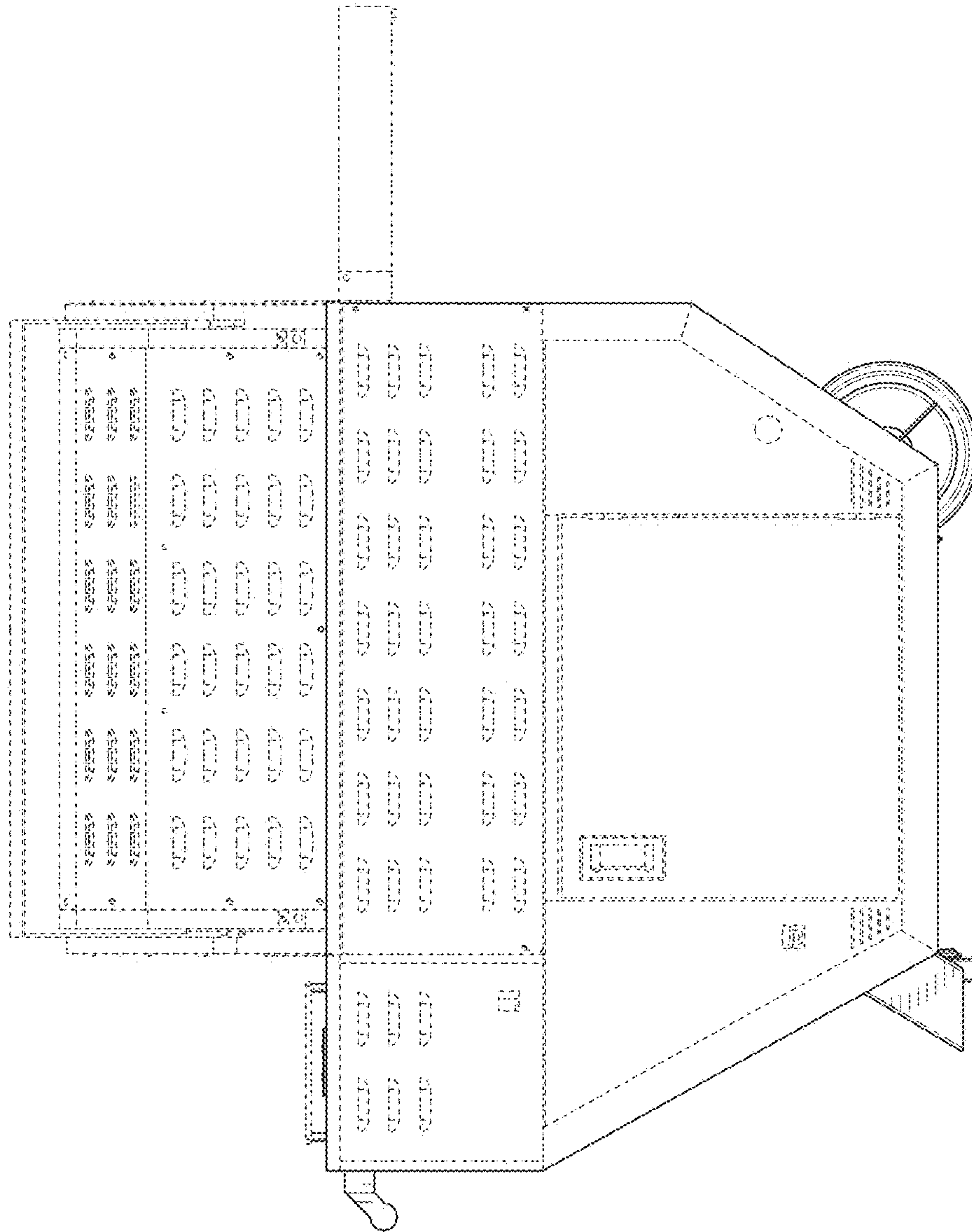


FIG. 4

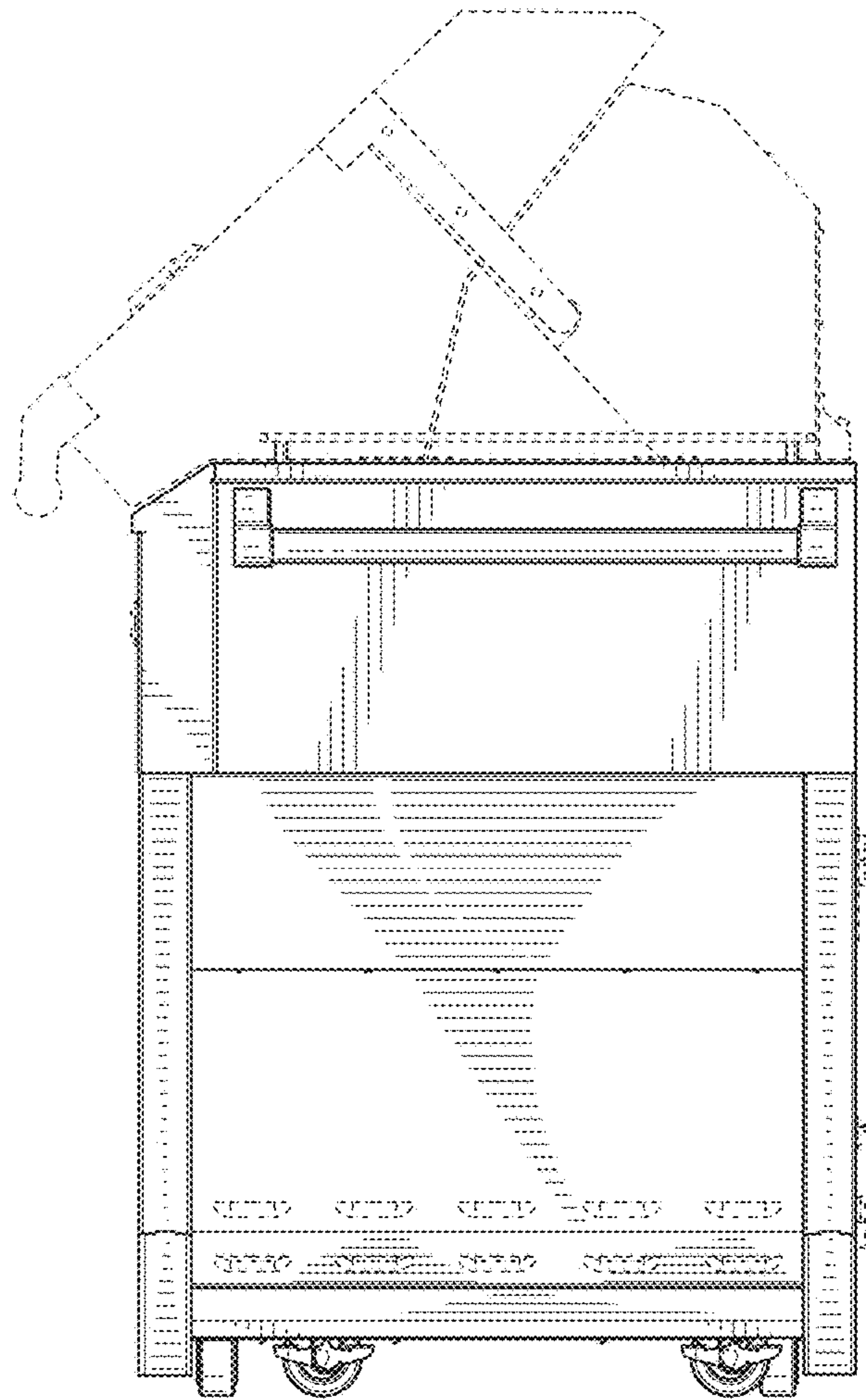


FIG. 5

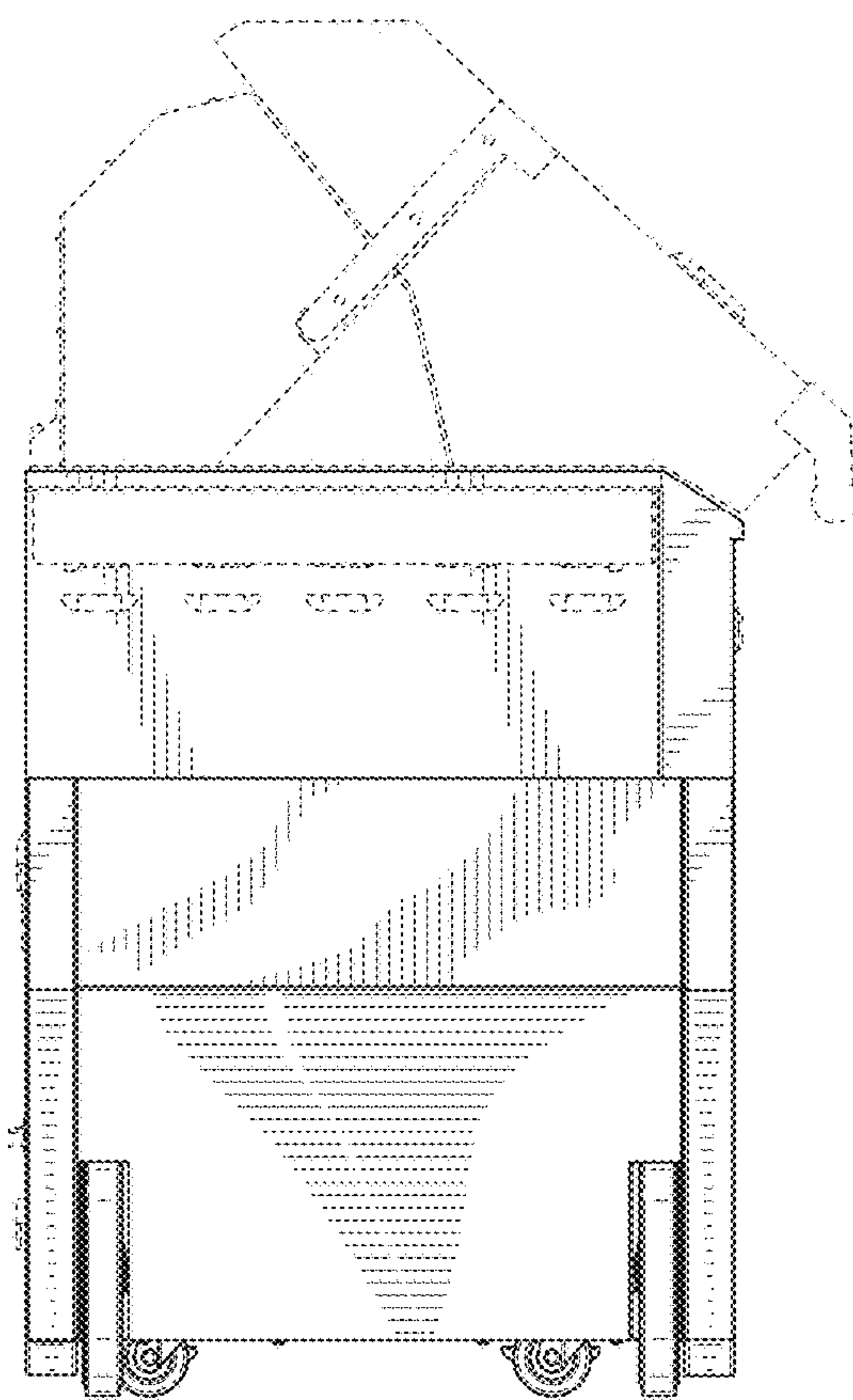


FIG. 6

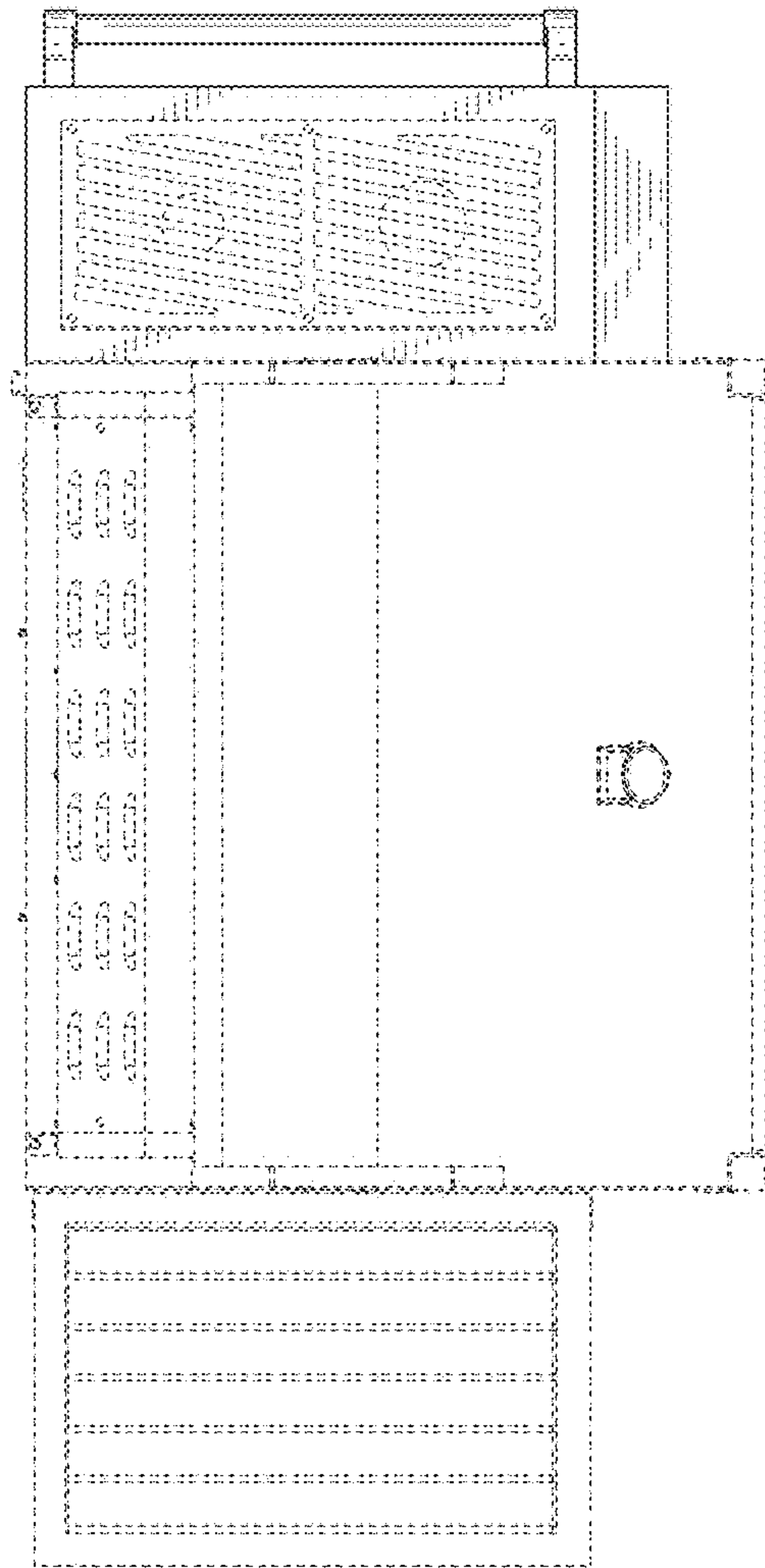


FIG. 7

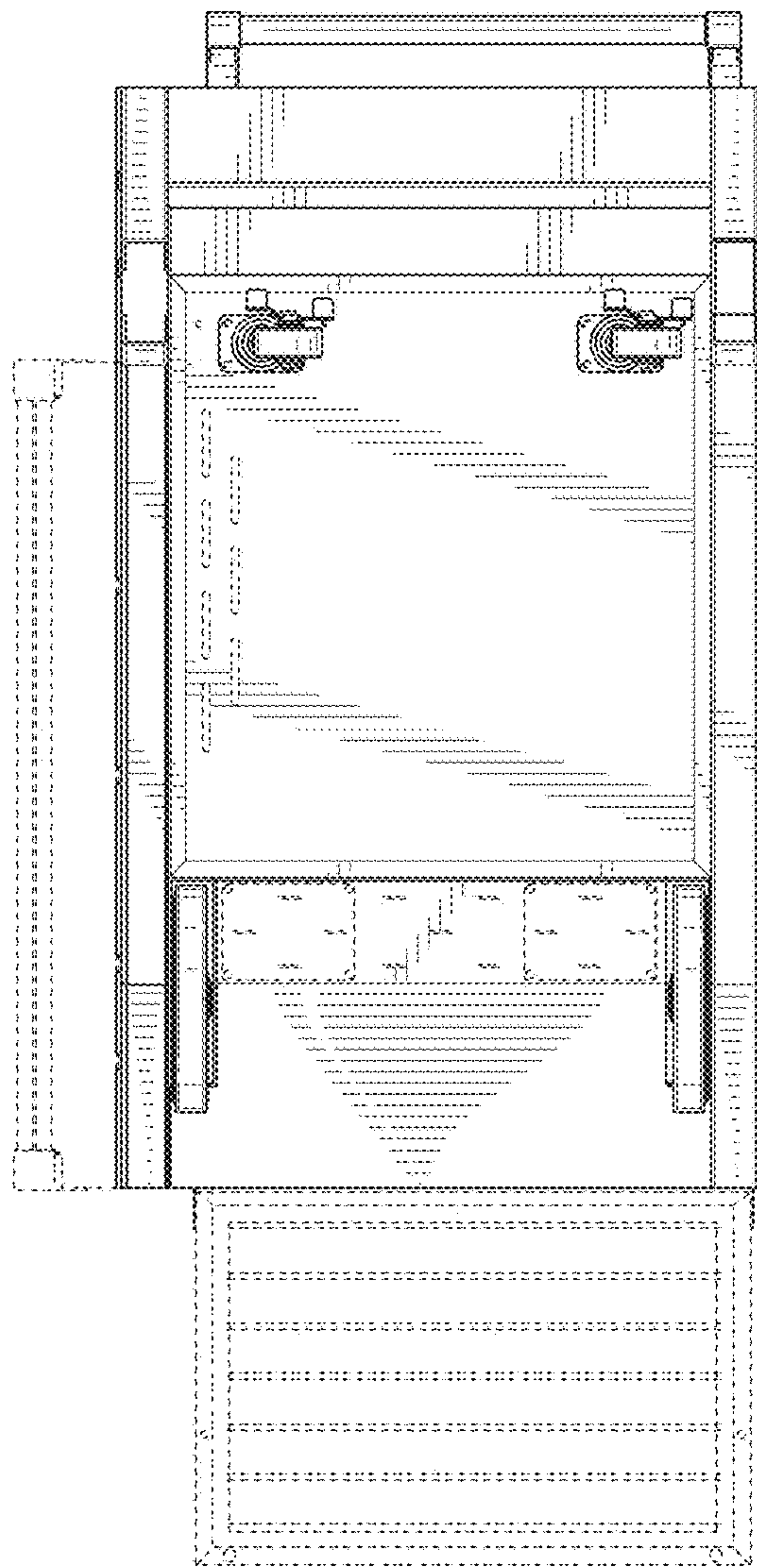


FIG. 8

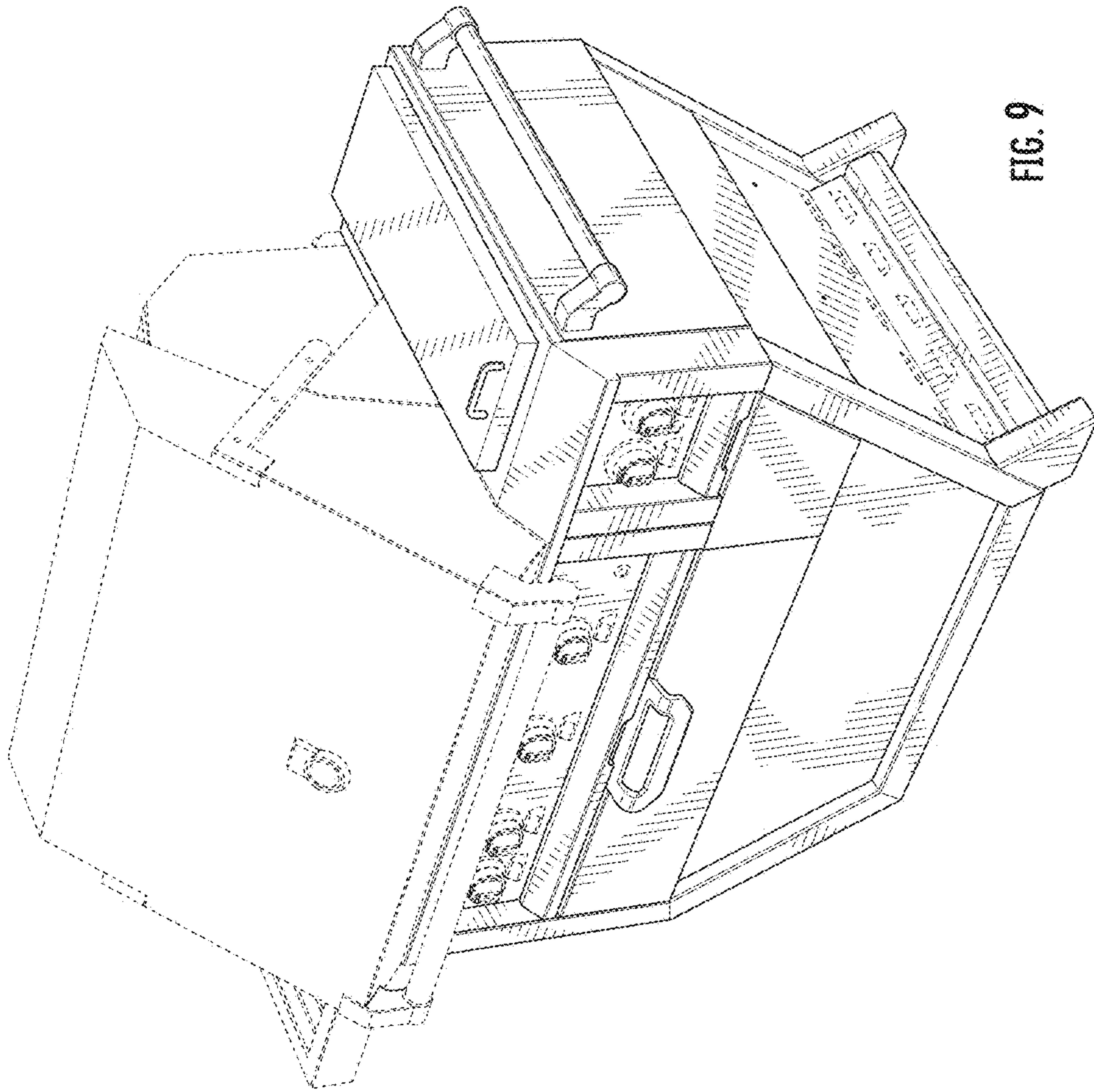


FIG. 9

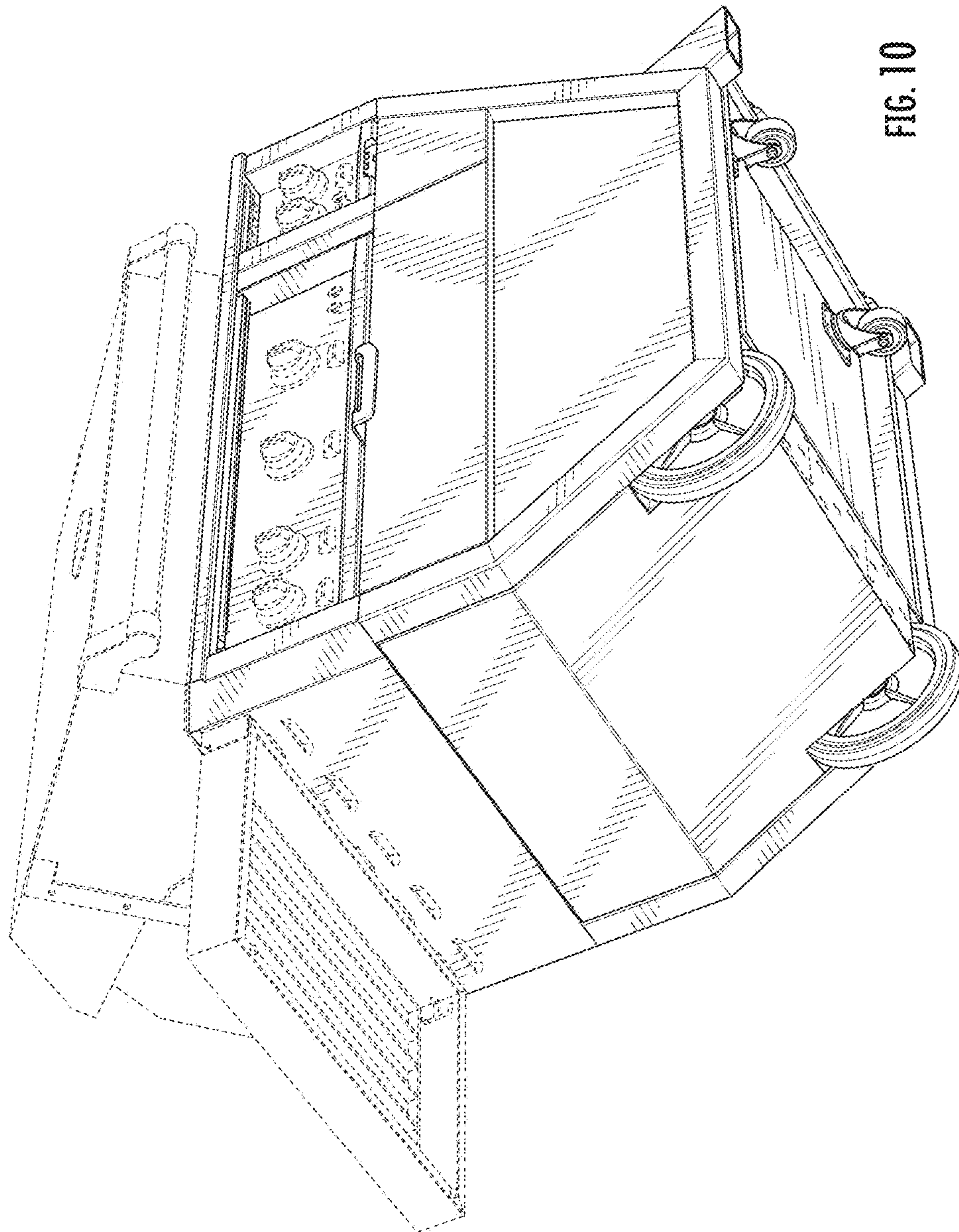


FIG. 10

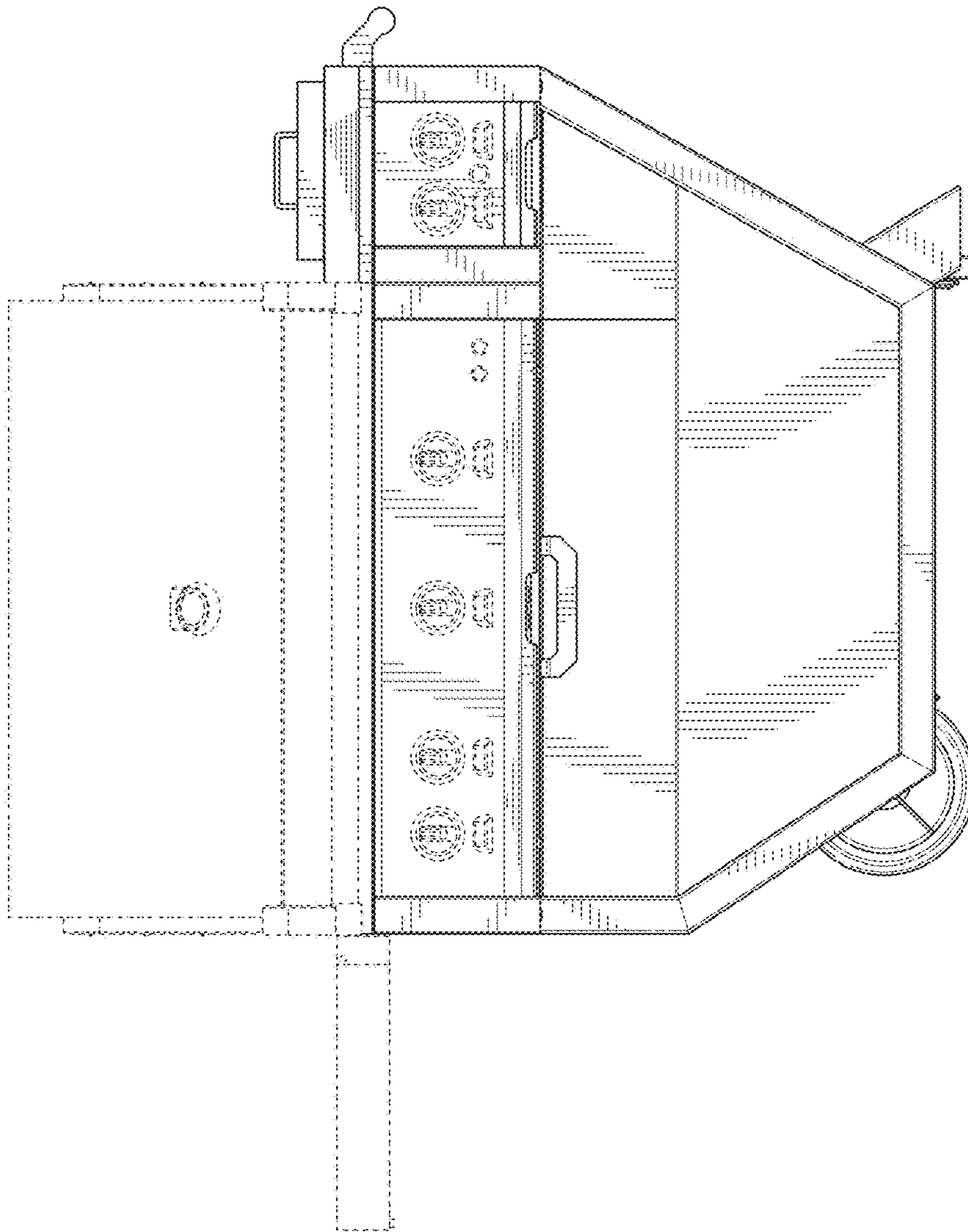


FIG. 11

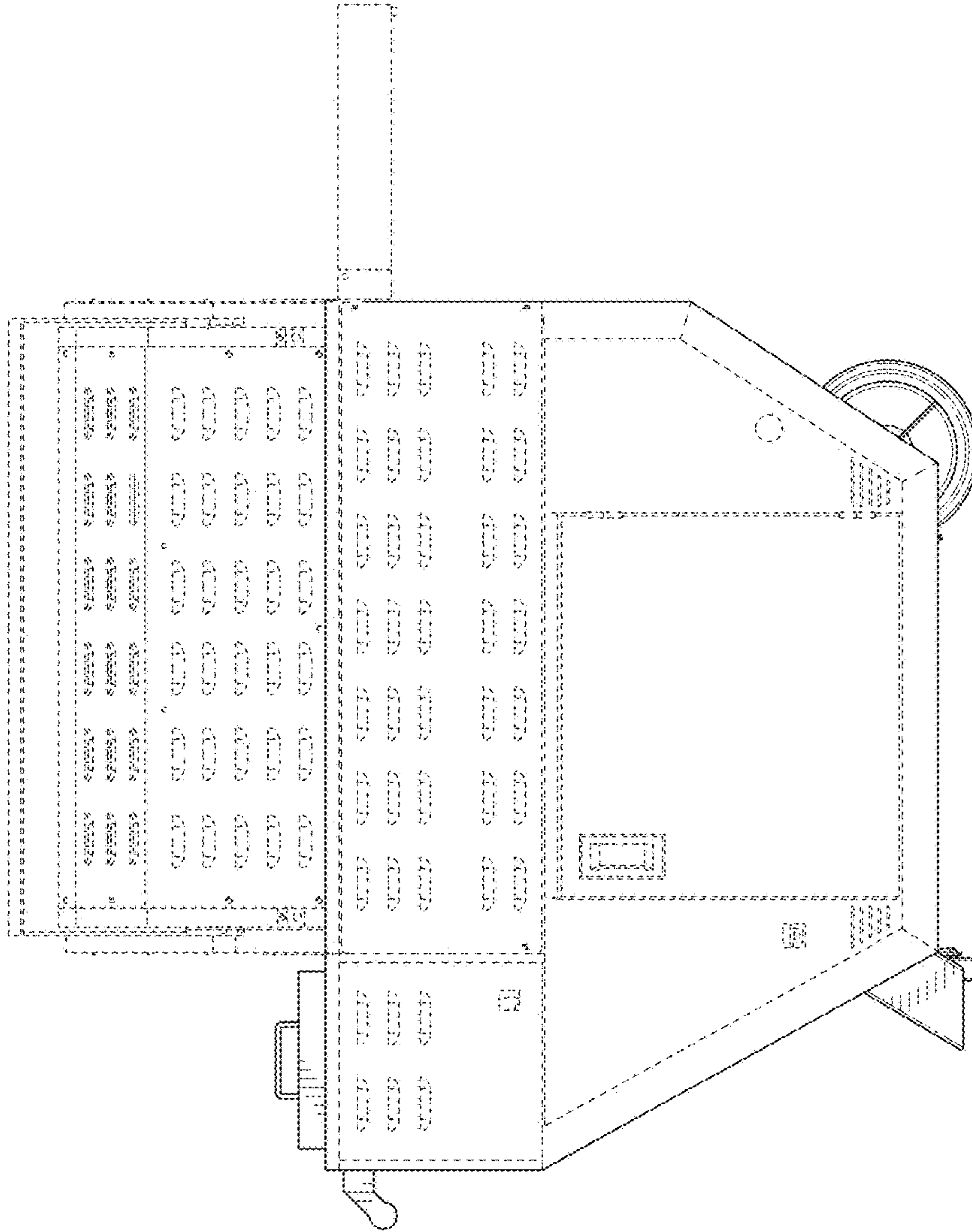


FIG. 12

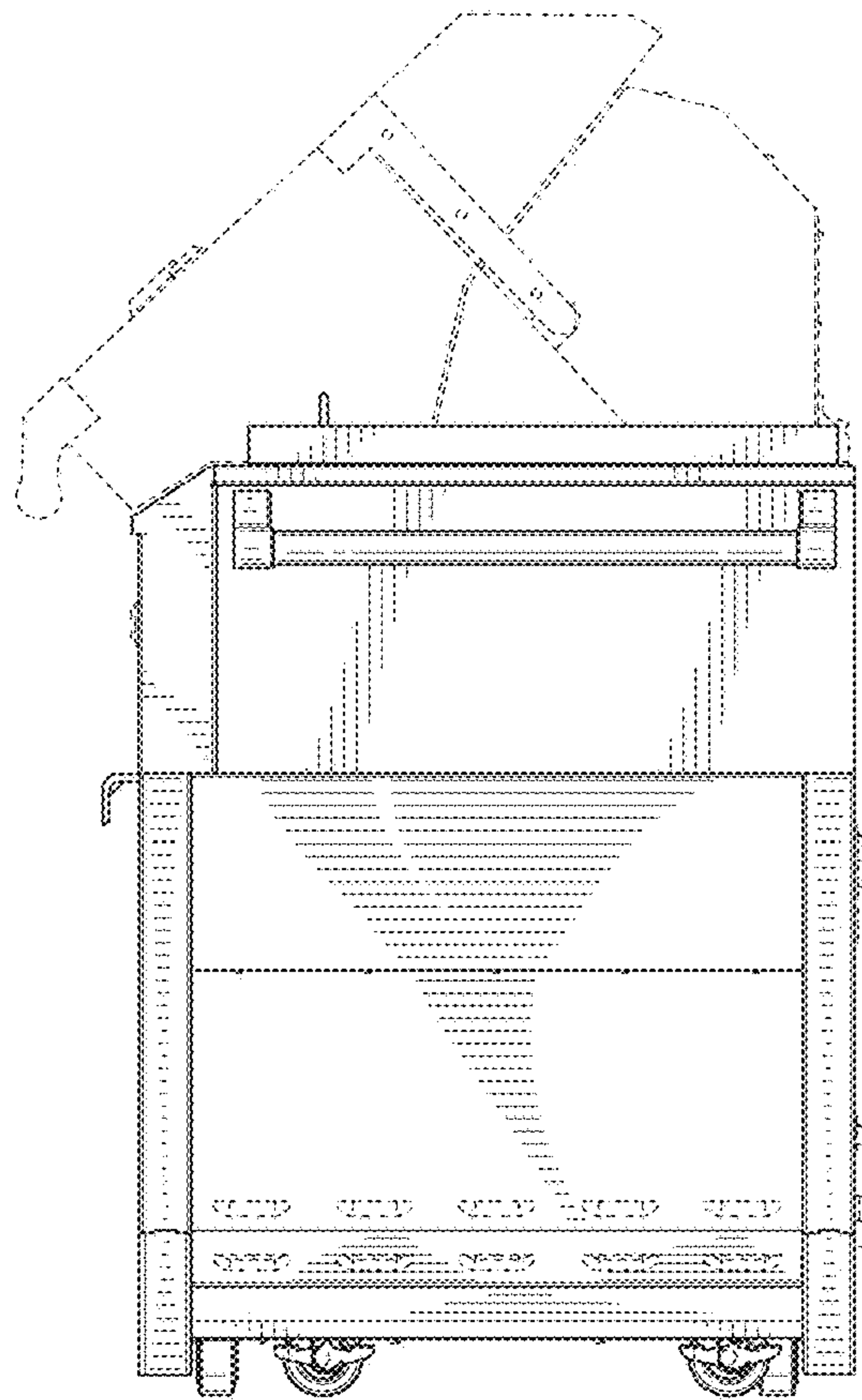


FIG. 13

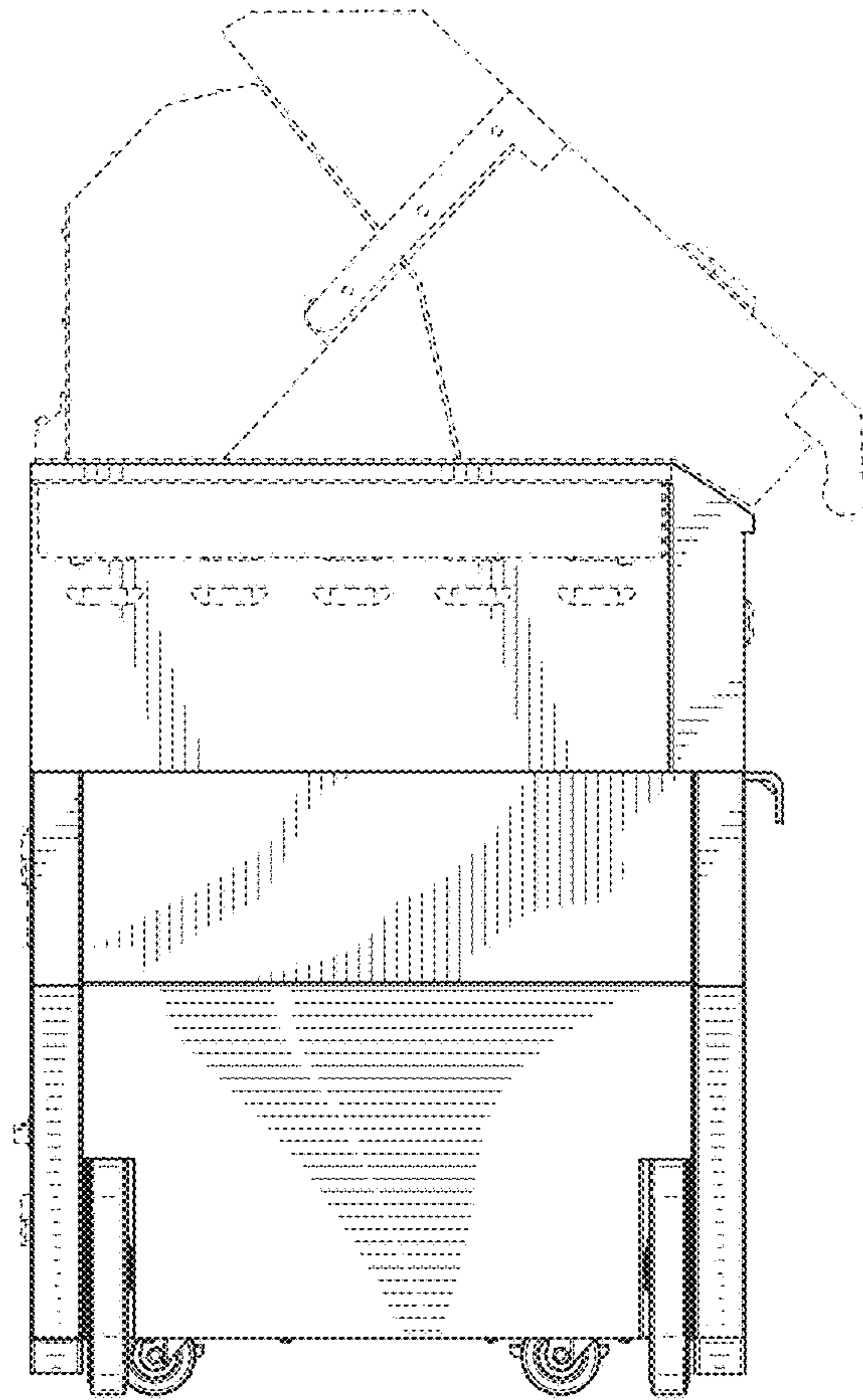


FIG. 14

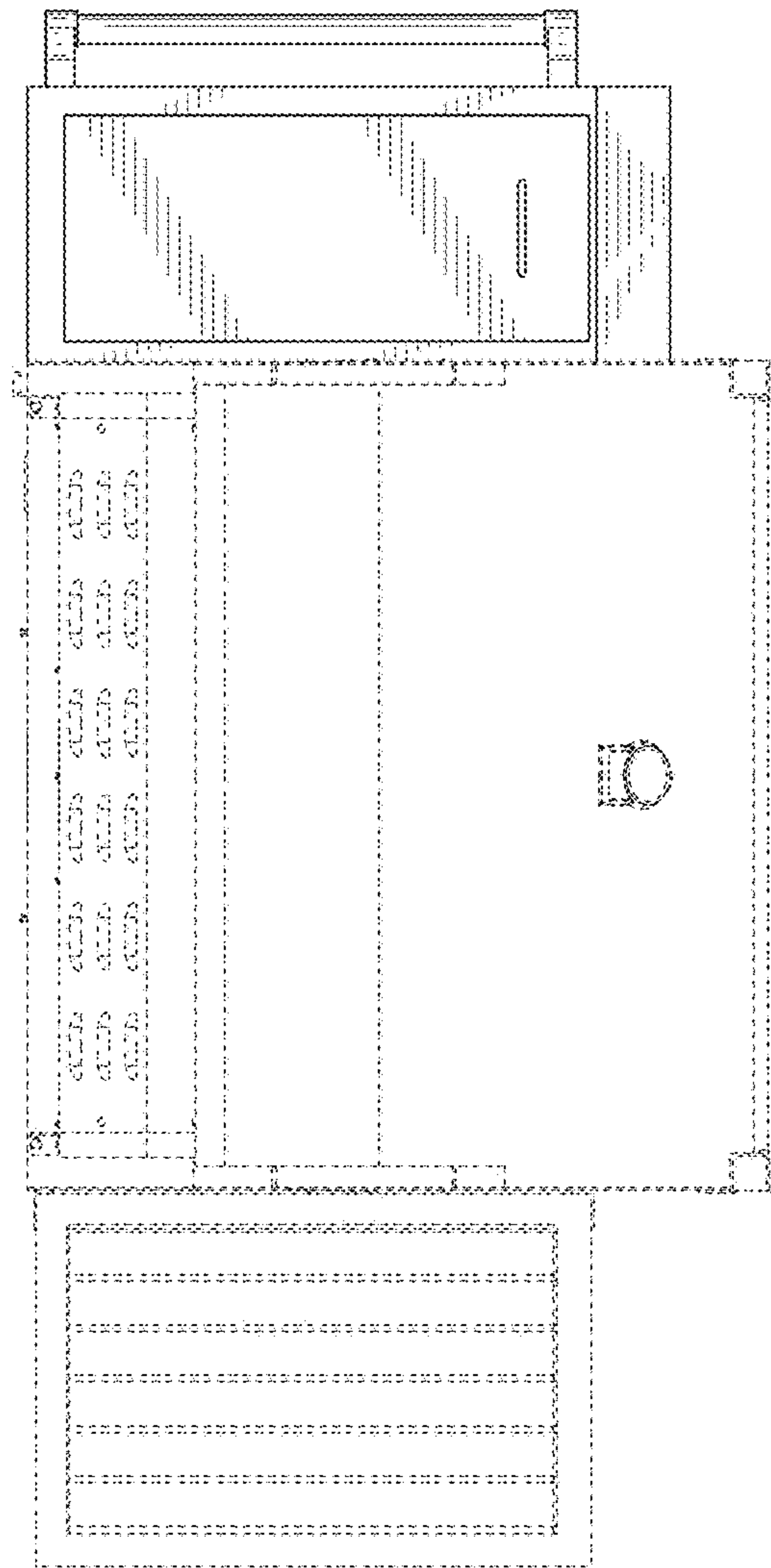


FIG. 15

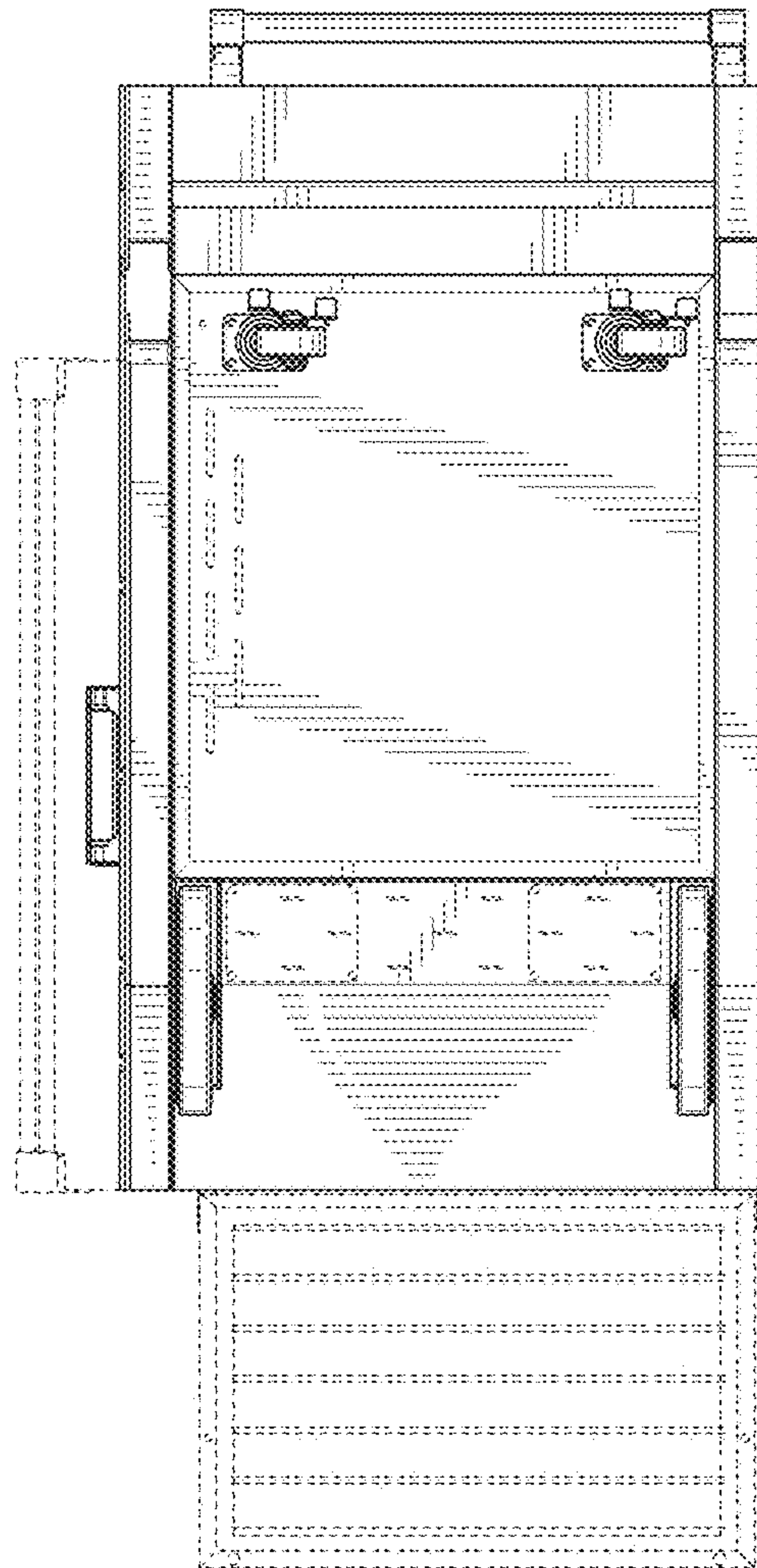


FIG. 16