



US00D846347S

(12) **United States Design Patent** (10) **Patent No.:** **US D846,347 S**  
**Florkey et al.** (45) **Date of Patent:** **\*\* Apr. 23, 2019**

(54) **GAS FRYER COOKING CHAMBER**

D215,383 S 9/1969 Moore  
3,938,498 A 2/1976 Price  
D242,947 S 1/1977 Graham

(71) Applicant: **Henny Penny Corporation**, Eaton, OH (US)

(Continued)

(72) Inventors: **Edward J. Florkey**, Vandalia, OH (US); **Steven Groll**, Connersville, IN (US); **Mark Gogel**, Fairborn, OH (US)

*Primary Examiner* — Sheryl Lane

*Assistant Examiner* — Nicole C Shiflet

(74) *Attorney, Agent, or Firm* — Wood Herron & Evans LLP

(73) Assignee: **Henny Penny Corporation**, Eaton, OH (US)

(57) **CLAIM**

(\*\*) Term: **15 Years**

The ornamental design for a gas fryer cooking chamber, as shown and described.

(21) Appl. No.: **29/665,821**

(22) Filed: **Oct. 8, 2018**

**DESCRIPTION**

**Related U.S. Application Data**

(62) Division of application No. 29/597,205, filed on Mar. 15, 2017, now Pat. No. Des. 833,810.

(51) **LOC (11) Cl.** ..... **07-02**

(52) **U.S. Cl.**  
USPC ..... **D7/402**

(58) **Field of Classification Search**  
USPC ..... D7/387, 402-409, 393, 394, 323, 331, D7/332-337, 339, 340, 346-349, 351, D7/354, 358; D12/500, 501, 502, 204  
CPC ..... F24C 15/36; F24C 15/107; F24C 15/024; F24C 3/08; F24C 3/124; F24C 7/08; F24C 7/081; F24C 7/082; F24C 7/087; A47J 37/042; A47J 37/07; A47J 37/12; A47J 37/129; A47J 37/1295  
See application file for complete search history.

FIG. 1 is a front (isometric) perspective view of a gas fryer cooking chamber according to the present invention, showing the environment (the remainder of the gas fryer) in dash lines.

FIG. 2 is a front top perspective view of the cooking chamber of FIG. 1 shown removed from the gas fryer environment.

FIG. 3 is a rear top perspective view of the cooking chamber of FIG. 2.

FIG. 4 is a top view of the cooking chamber of FIG. 2.

FIG. 5 is a front view of the cooking chamber of FIG. 2.

FIG. 6 is a rear view of the cooking chamber of FIG. 2.

FIG. 7 is a left side view of the cooking chamber of FIG. 2, the right side being a mirror image thereof.

FIG. 8 is a front cross-sectional view of the cooking chamber of FIG. 2, taken along line 8-8 of FIG. 4; and,

FIG. 9 is a left side cross-sectional view of the cooking chamber of FIG. 2, taken along line 9-9 of FIG. 4.

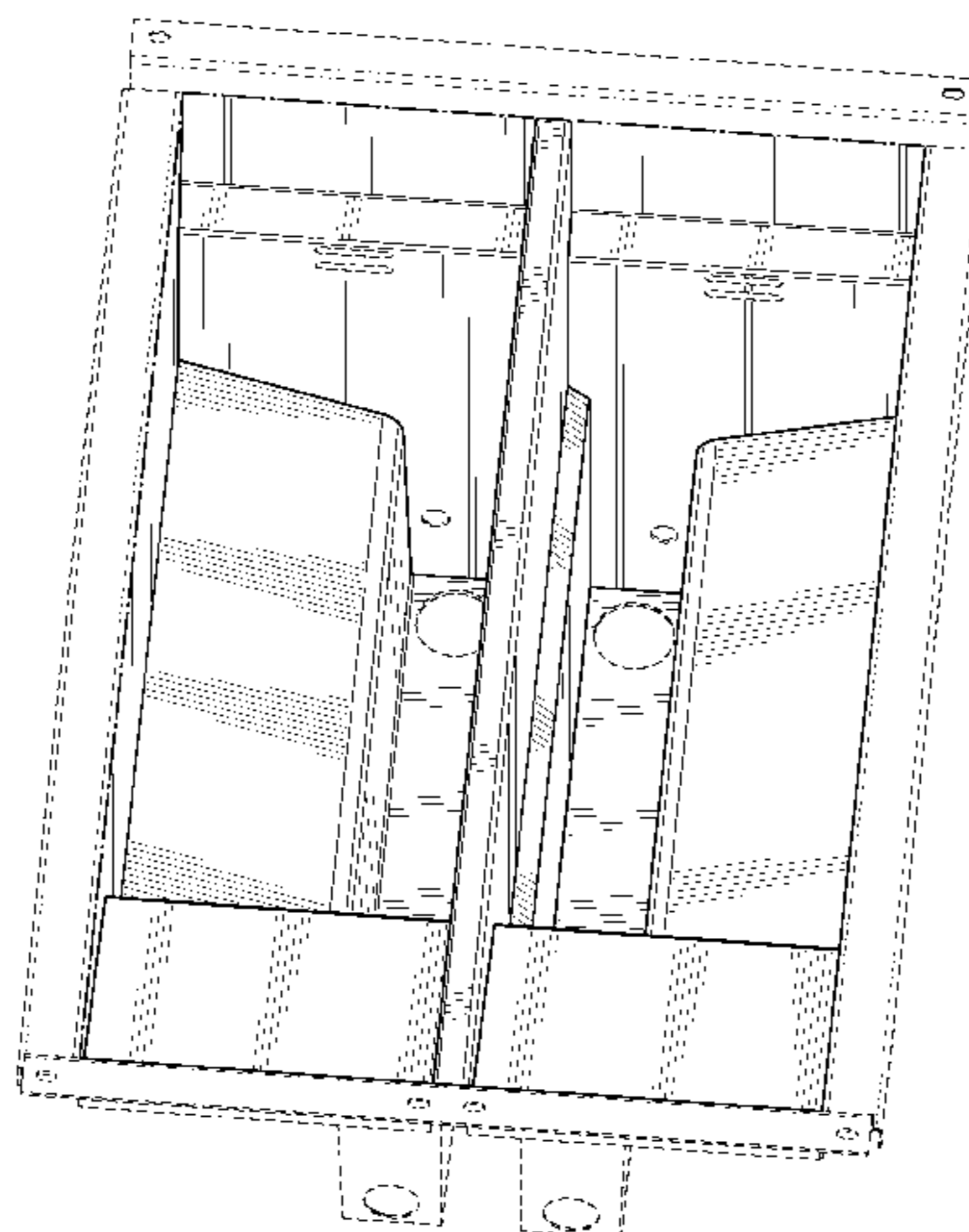
Any elements shown in broken lines form no part of the claimed invention. The broken lines are only shown for environmental purpose only and form no part of the claimed design. The dash-dot broken lines adjacent to the shaded or sectional portions form an unclaimed boundary of the design.

(56) **References Cited**

**U.S. PATENT DOCUMENTS**

2,058,807 A \* 10/1936 Lockwood ..... A21B 3/134  
220/23.6  
D197,322 S \* 1/1964 Wilt ..... D7/409  
3,273,488 A \* 9/1966 Anetsberger ..... A47J 37/1219  
126/391.1

**1 Claim, 9 Drawing Sheets**



(56)

**References Cited**

U.S. PATENT DOCUMENTS

D305,855 S 2/1990 Mandat  
D428,563 S 7/2000 Russett et al.  
6,322,831 B1 \* 11/2001 Mote ..... A47J 37/1219  
426/231  
D462,567 S 9/2002 Smith  
D559,621 S \* 1/2008 Raichlen ..... D7/409  
D649,399 S \* 11/2011 Johnson ..... D7/354  
D833,810 S \* 11/2018 Florkey ..... D7/402  
2009/0013877 A1 1/2009 Lackman et al.  
2014/0020568 A1 1/2014 Huang et al.  
2016/0033463 A1 \* 2/2016 Robertson ..... A47J 37/12  
426/231  
2018/0325317 A1 \* 11/2018 Leader ..... A47J 37/1219

\* cited by examiner

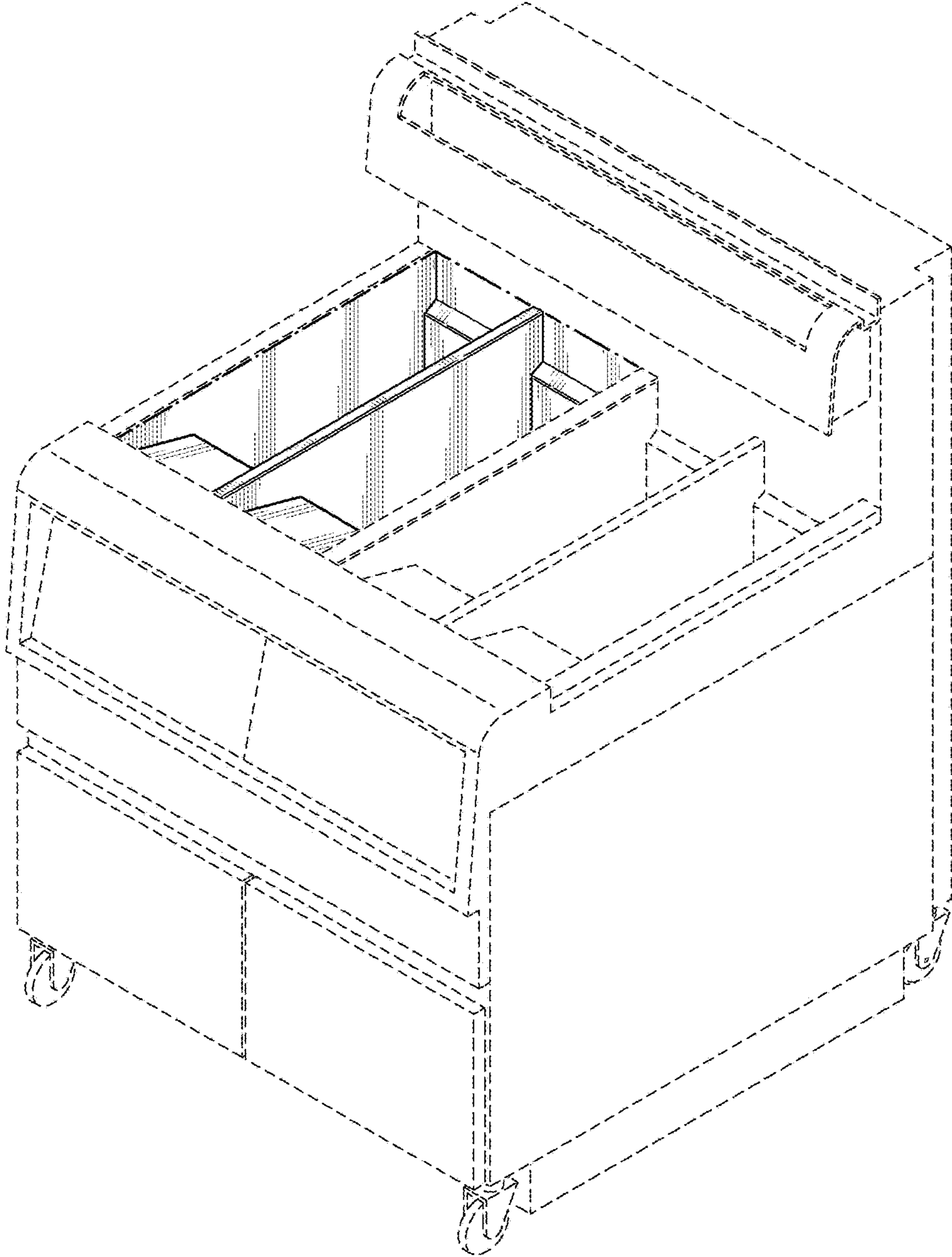


FIG. 1

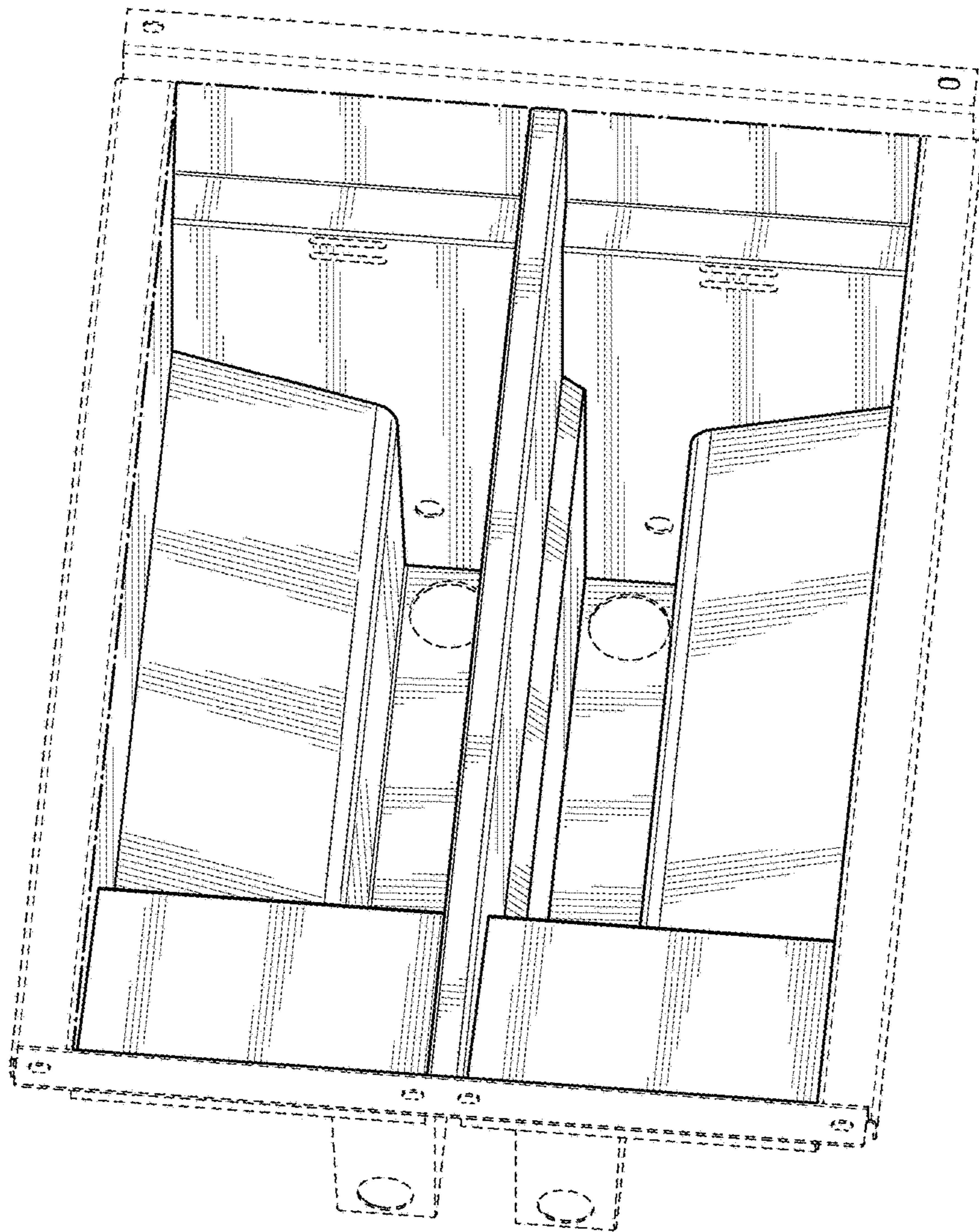


FIG. 2

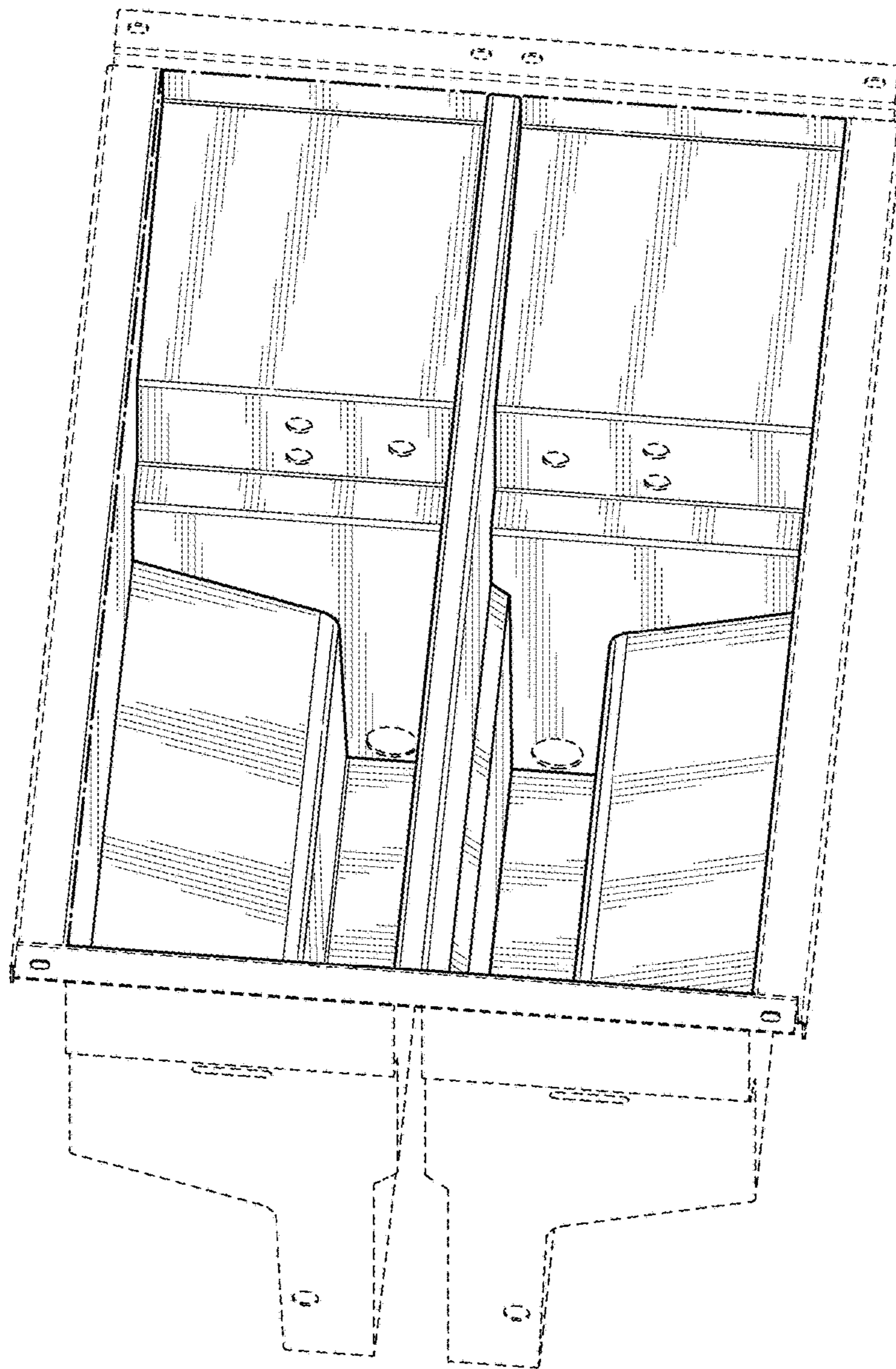


FIG. 3

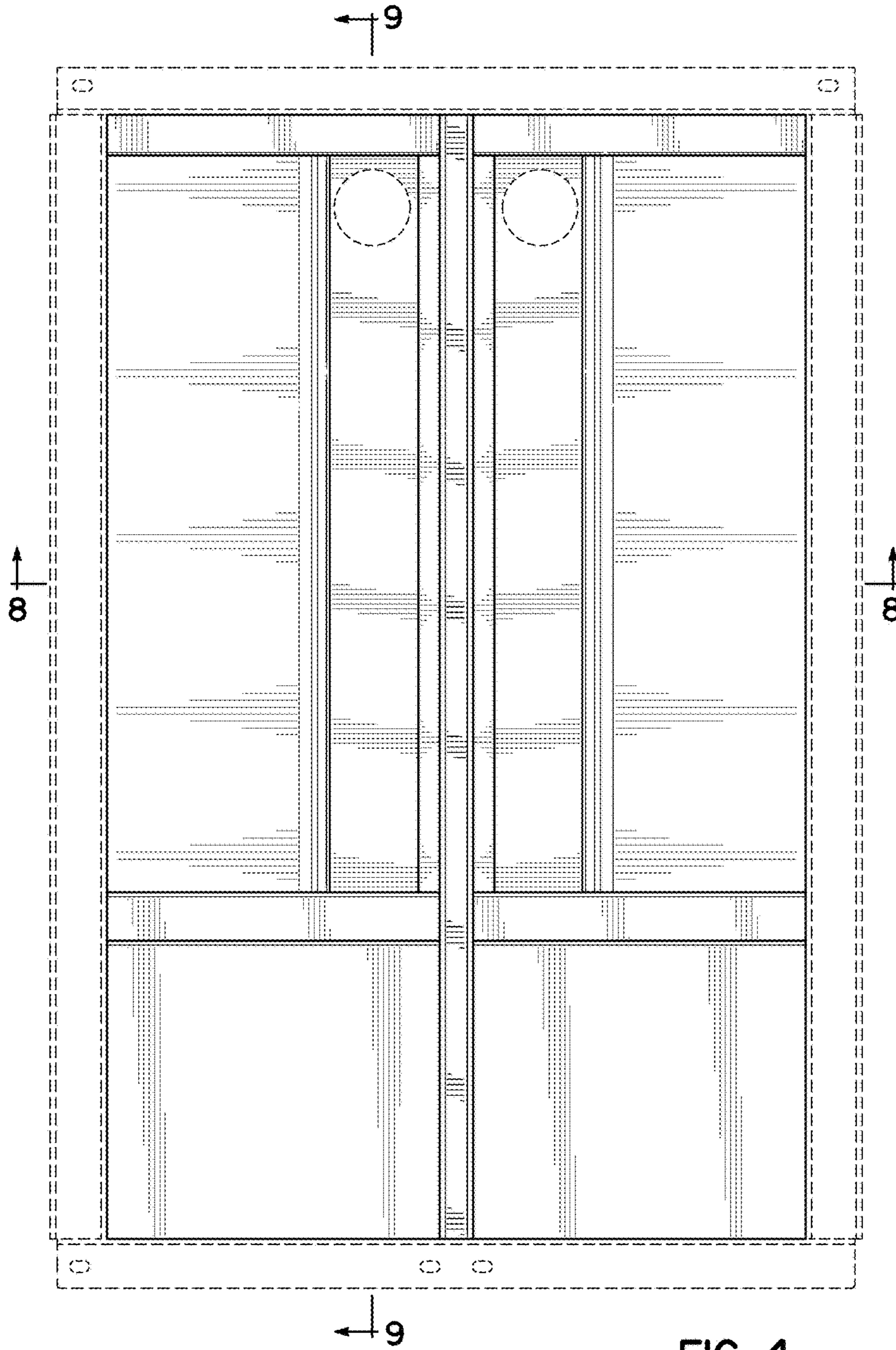


FIG. 4

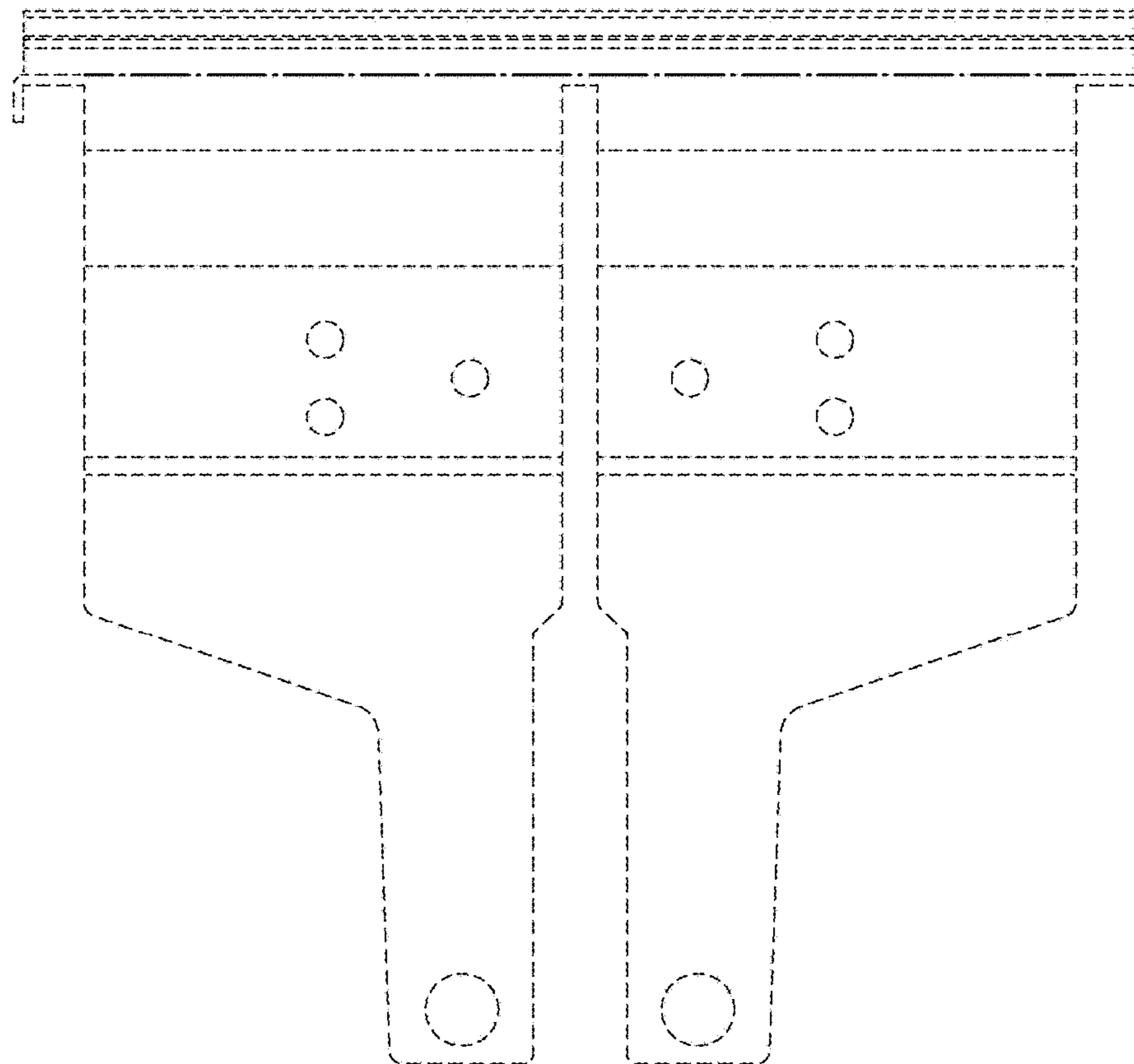


FIG. 5

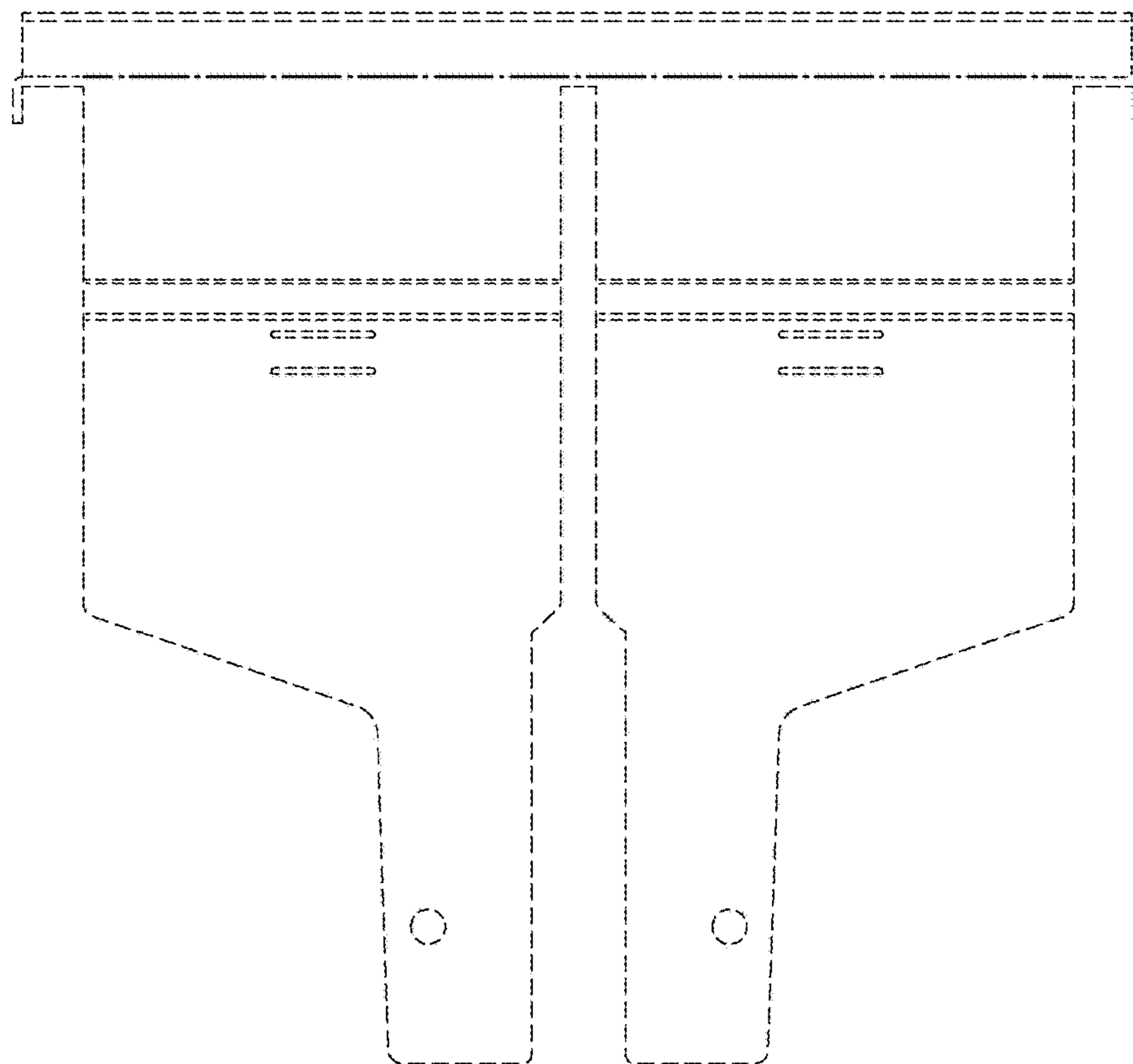


FIG. 6



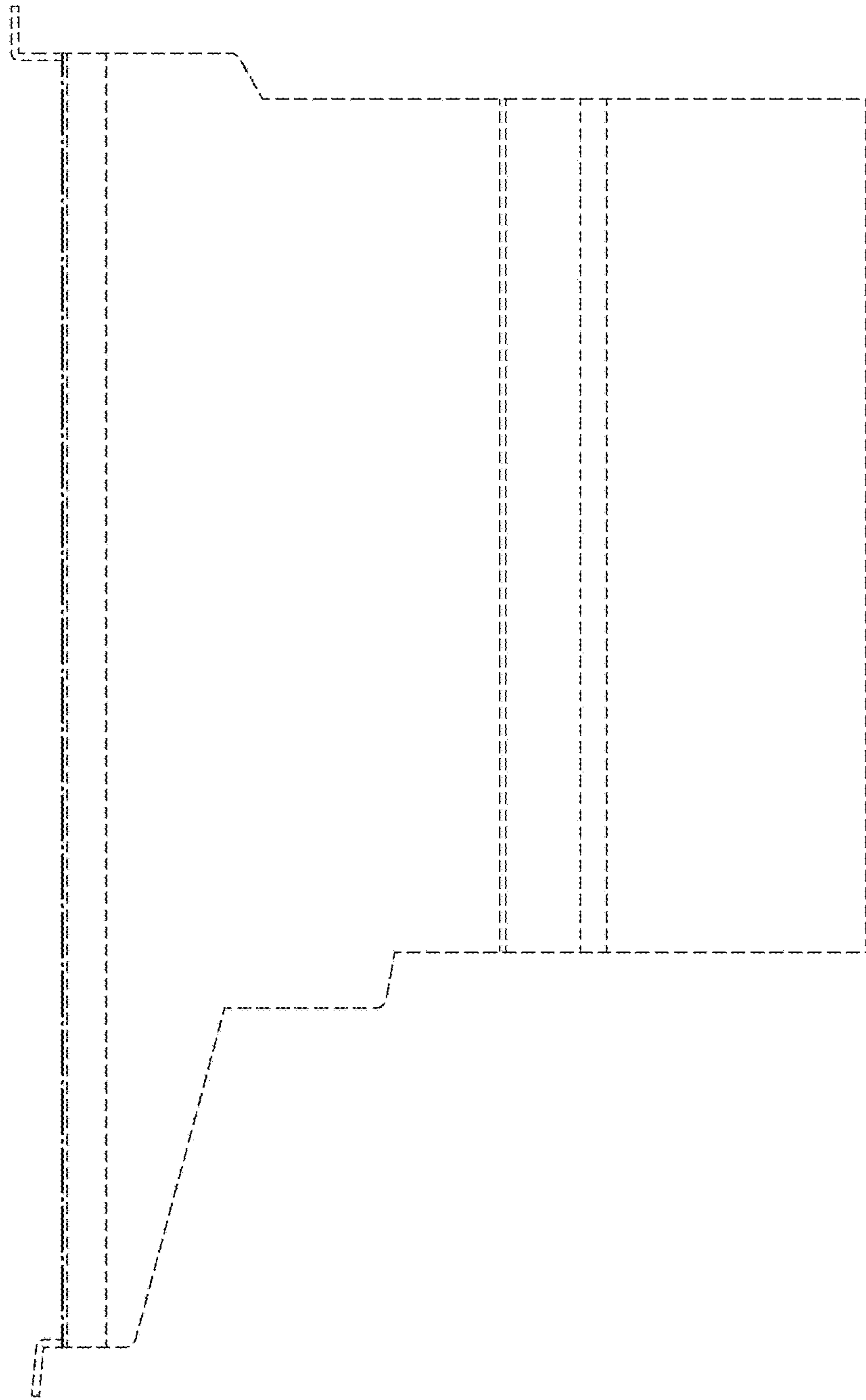


FIG. 7

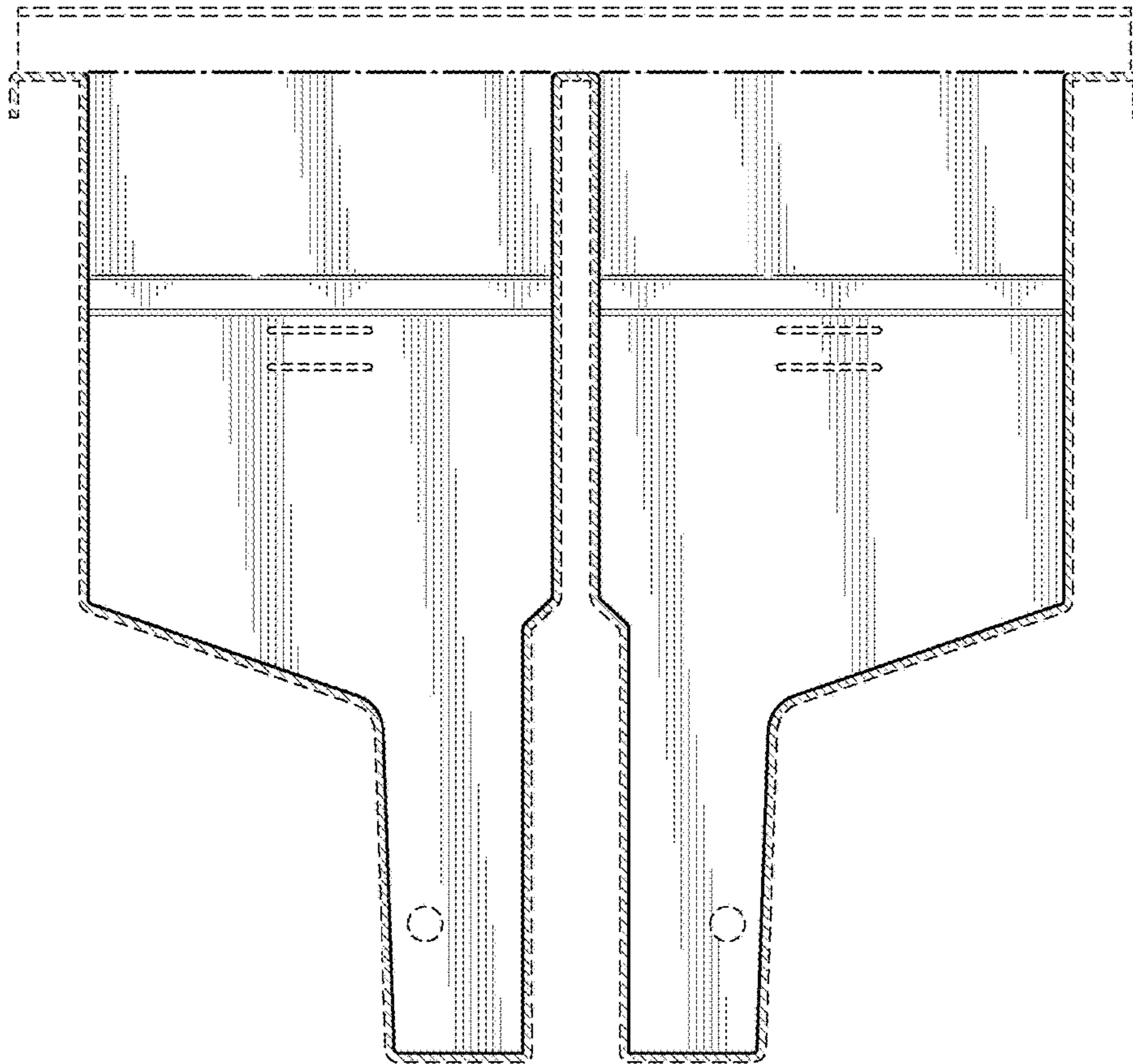


FIG. 8

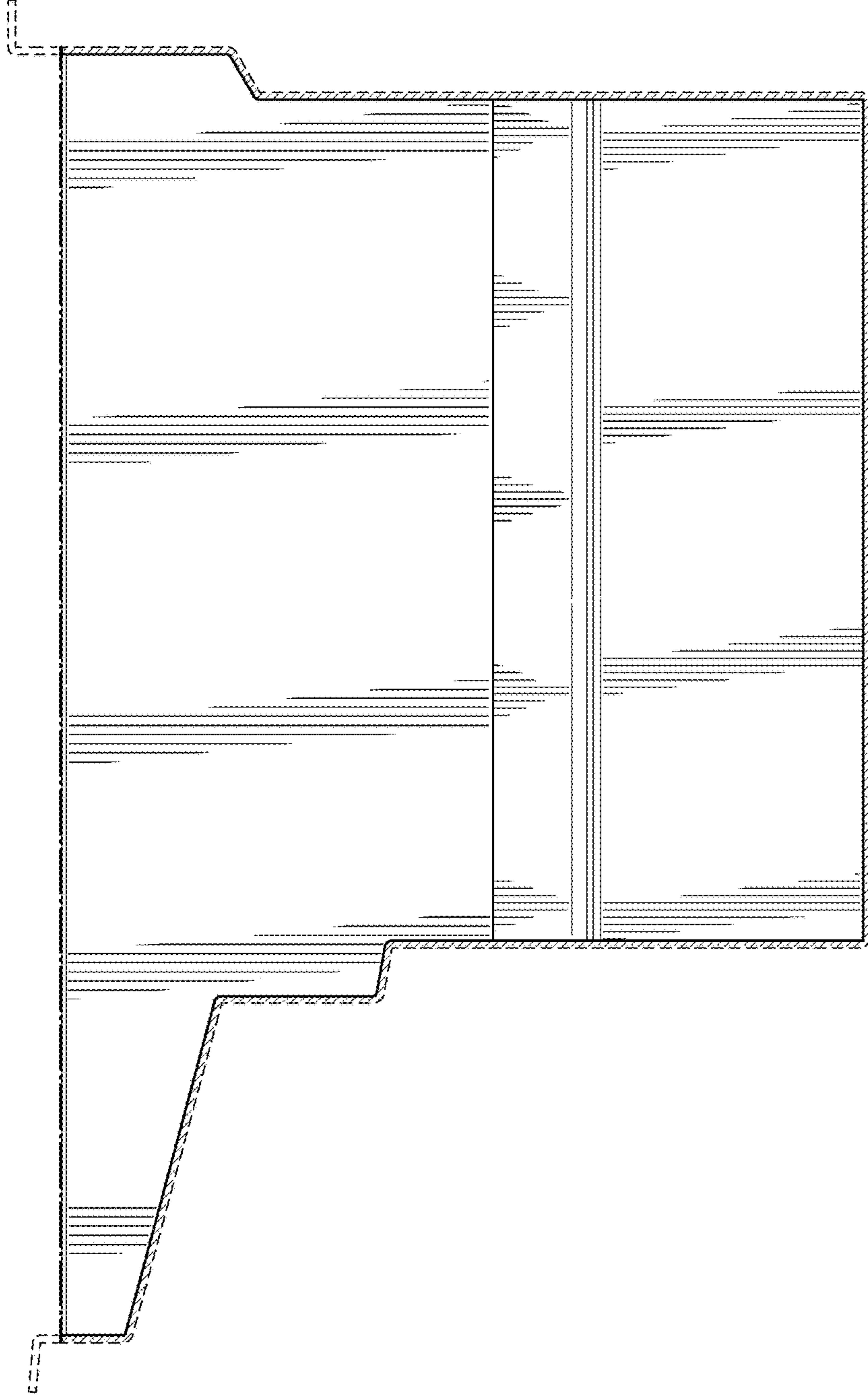


FIG. 9