



US00D846343S

(12) **United States Design Patent**  
**Samartgis**

(10) **Patent No.:** **US D846,343 S**

(45) **Date of Patent:** **\*\* Apr. 23, 2019**

(54) **CONTAINER LID**

(71) Applicant: **The Decor Corporation Pty Ltd.,**  
Scoresby (AU)

(72) Inventor: **Jim Samartgis, Eltham (AU)**

(73) Assignee: **THE DECOR CORPORATION PTY**  
**LTD. (AU)**

(\*\*) Term: **15 Years**

(21) Appl. No.: **29/594,614**

(22) Filed: **Feb. 21, 2017**

(30) **Foreign Application Priority Data**

Aug. 31, 2016 (AU) ..... 201614823

(51) **LOC (11) Cl.** ..... **07-99**

(52) **U.S. Cl.**  
USPC ..... **D7/392; D7/900**

(58) **Field of Classification Search**  
USPC ..... D7/387, 392, 392.1, 392.2, 393, 396.2,  
D7/396.3, 396.4, 401.1, 507, 509-511,  
D7/538, 900; D9/414, 415, 420, 426,  
D9/428, 429, 434, 435, 443-450,  
D9/452-457, 499, 682, 685, 686

CPC .... B65D 51/28; B65D 21/0222; B65D 43/02;  
B65D 2203/00; B65D 2231/022; B65D  
2543/00046; B65D 2543/00092; B65D  
2543/00296; B65D 2543/00537; A47G  
19/2205; A47G 19/2222; A47G 19/2272  
See application file for complete search history.

(56) **References Cited**

**U.S. PATENT DOCUMENTS**

D548,006 S \* 8/2007 Lapsker ..... D7/392.1  
D550,035 S \* 9/2007 Tien ..... D7/510  
D579,720 S \* 11/2008 Rohe ..... D7/509

D602,308 S \* 10/2009 Alviar ..... D7/510  
D641,206 S \* 7/2011 Heiberg ..... D7/378  
D649,403 S \* 11/2011 Eyal ..... D7/510  
D673,047 S \* 12/2012 Stamper ..... D9/453  
D684,813 S \* 6/2013 Eyal ..... D7/392  
D708,009 S \* 7/2014 Gillette ..... D7/378  
D722,246 S \* 2/2015 Lee ..... D7/354  
D727,102 S \* 4/2015 Eyal ..... D7/510  
D793,325 S \* 8/2017 Platto ..... D12/213

(Continued)

**OTHER PUBLICATIONS**

“Decor Cook Glass Measuring Jug with Lid.” Found online Jul. 12, 2018 at [www.amazon.com.au](http://www.amazon.com.au). Page dated Jan. 12, 2018. Retrieved from URL: <https://www.amazon.com.au/Decor-Glass-Measuring-650mL-Clear/dp/B078SGVD7X> (Year: 2018).\*

(Continued)

*Primary Examiner* — Garth Rademaker

*Assistant Examiner* — Katelin G Kloberg

(74) *Attorney, Agent, or Firm* — Cook Alex Ltd.

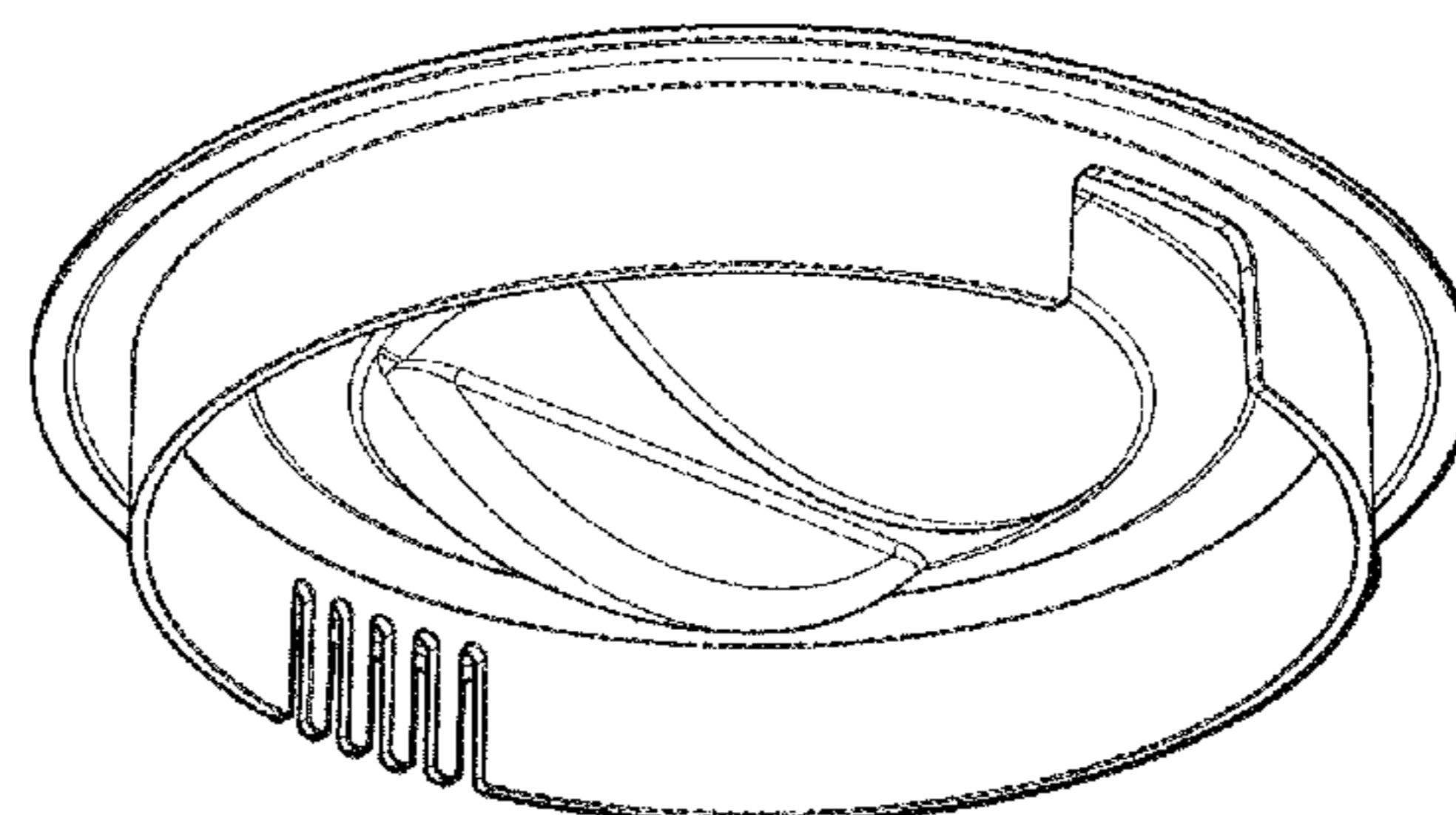
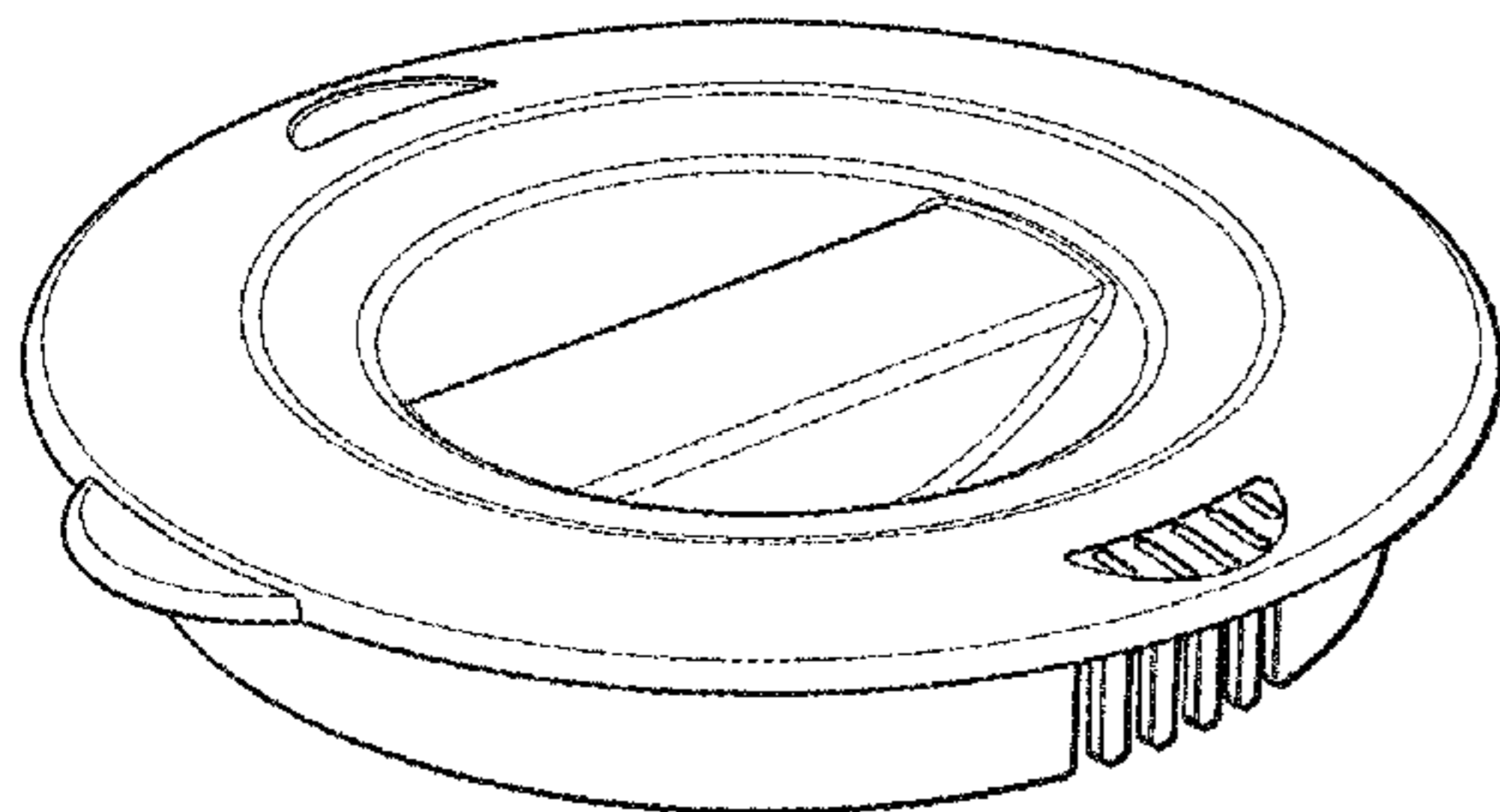
(57) **CLAIM**

The ornamental design for a container lid, as shown and described.

**DESCRIPTION**

FIG. 1 is a top, front, right side perspective view of a container lid, showing my new design;  
FIG. 2 is a bottom, rear, left side perspective view thereof;  
FIG. 3 is a front elevation view thereof;  
FIG. 4 is a rear elevation view thereof;  
FIG. 5 is a left-side elevation view thereof;  
FIG. 6 is a right-side elevation view thereof;  
FIG. 7 is a top plan view thereof; and,  
FIG. 8 is a bottom plan view thereof.  
The broken lines shown in the drawings depict portions of the article and form no part of the claimed design.

**1 Claim, 5 Drawing Sheets**



(56)

**References Cited**

U.S. PATENT DOCUMENTS

D803,138 S \* 11/2017 Fretz ..... D12/213

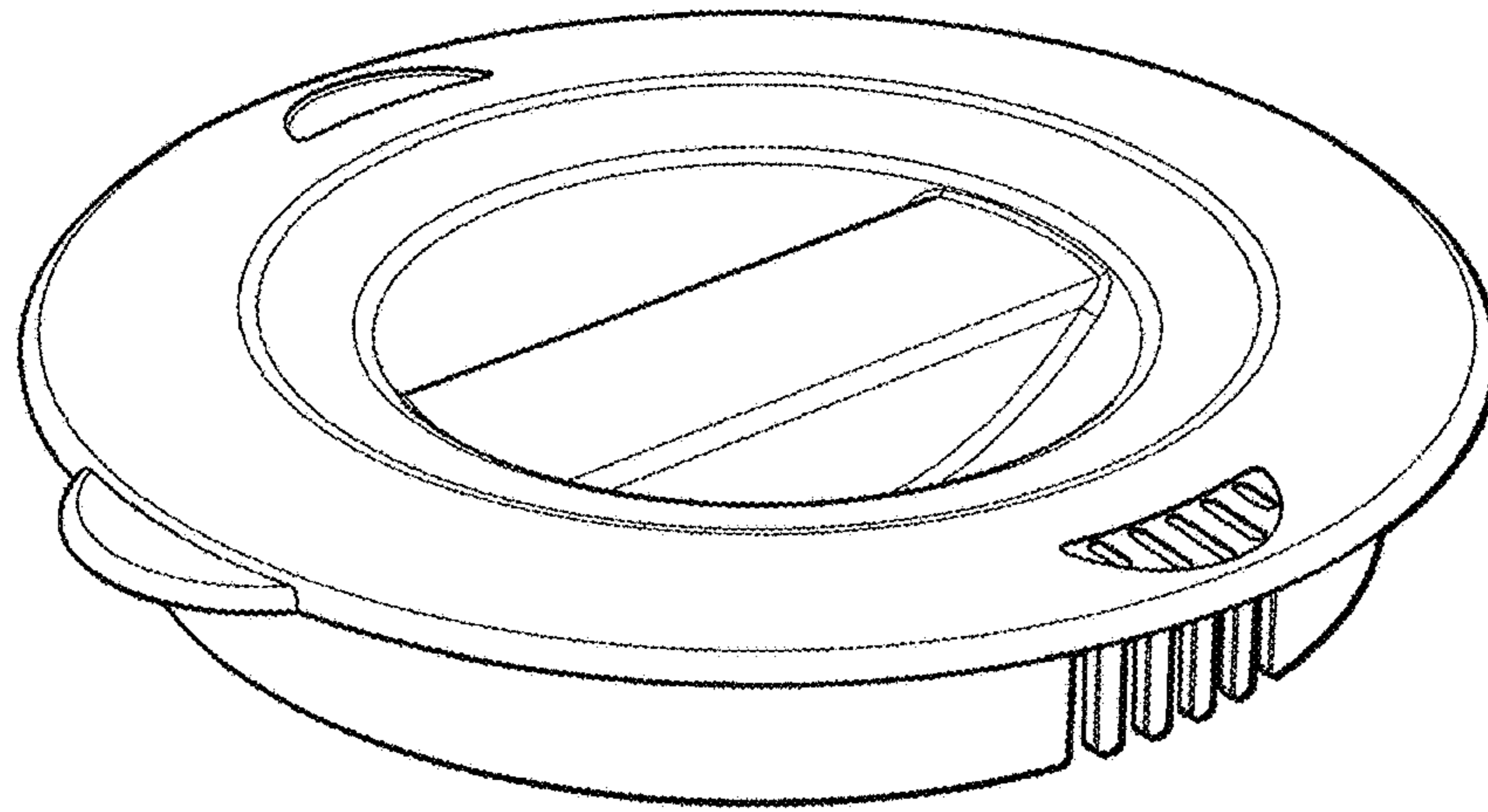
OTHER PUBLICATIONS

“Get Lid-3064-1-A Amber Replacement Lid for 64 oz. Textured Pitcher.” Found online Jul. 12, 2018 at [www.webstaurantstore.com](http://www.webstaurantstore.com). Page dated Aug. 1, 2017. Retrieved from URL: <https://tinyurl.com/y9vkystst> (Year: 2017).\*

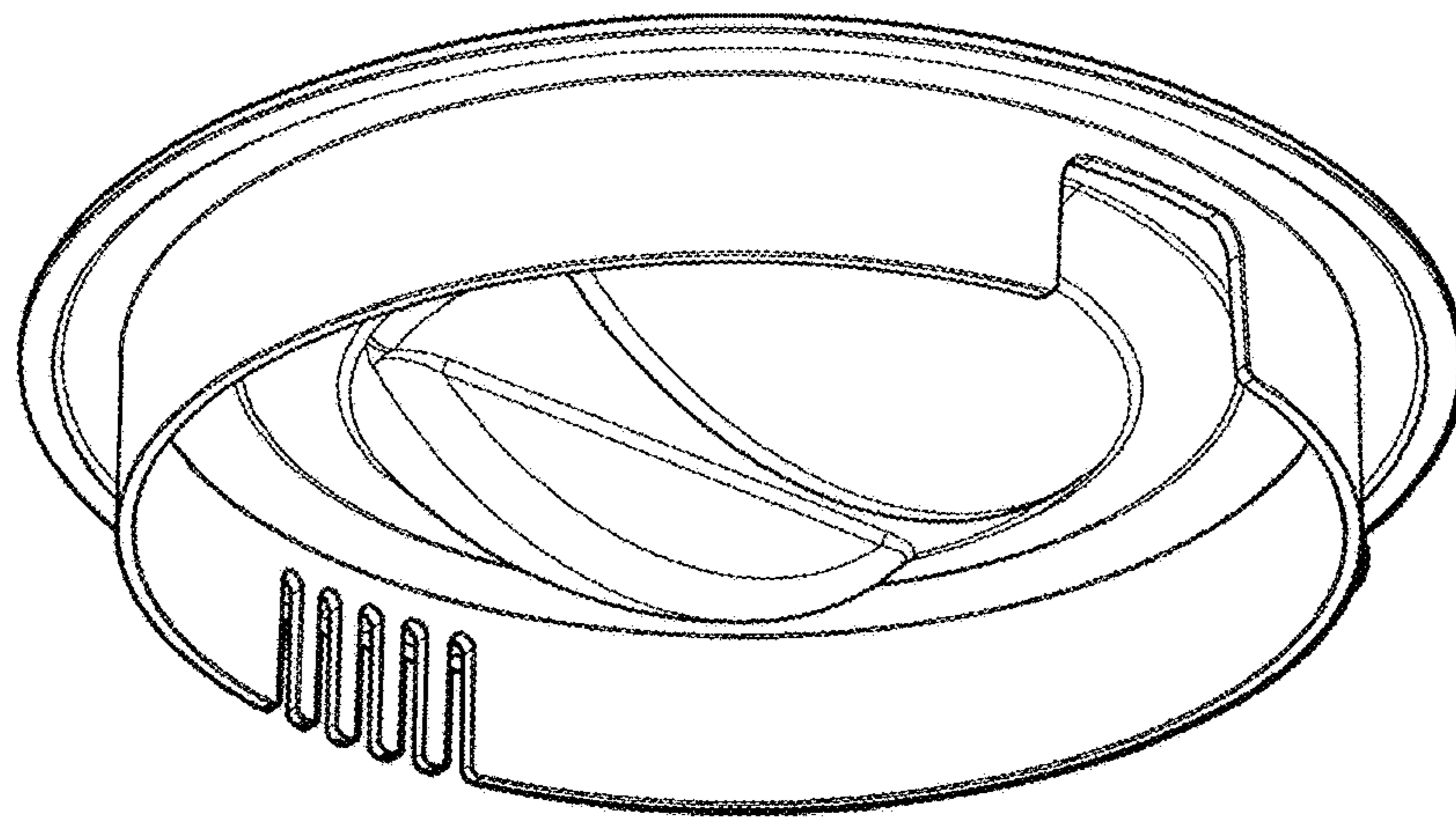
“Child-Friendly 1 Quart Pitcher with Lid.” Found online Jul. 12, 2018 at [www.discountsschoolsupply.com](http://www.discountsschoolsupply.com). Page dated Sep. 11, 2012. Retrieved from URL: <https://tinyurl.com/y9k5qknc> (Year: 2012).\*

“Rubbermaid Covered Pitcher.” Found online Jul. 12, 2018 at [www.amazon.com](http://www.amazon.com). Page dated Jun. 27, 2007. Retrieved from URL: [https://www.amazon.com/RUBBERMAID-Covered-Pitcher-2-25-White/dp/B000BQO932/ref=sr\\_1\\_14?ie=UTF8&qid=1531418287&sr=8-14&keywords=pitcher+lid](https://www.amazon.com/RUBBERMAID-Covered-Pitcher-2-25-White/dp/B000BQO932/ref=sr_1_14?ie=UTF8&qid=1531418287&sr=8-14&keywords=pitcher+lid) (Year: 2007).\*

\* cited by examiner



*Fig. 1*



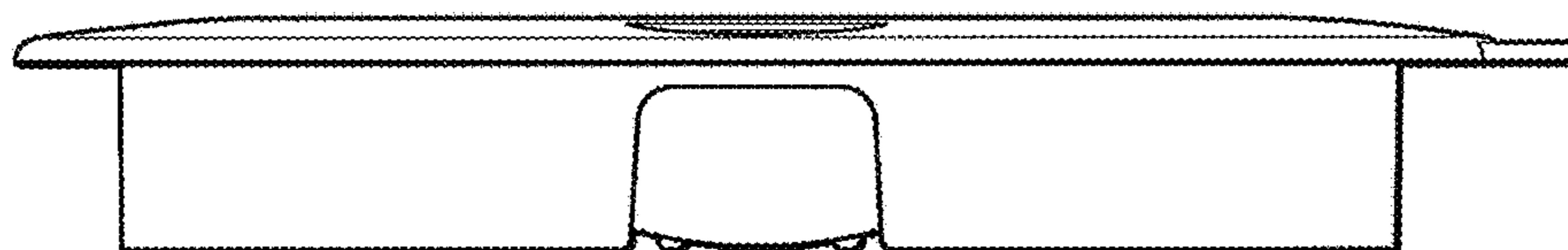
*Fig. 2*



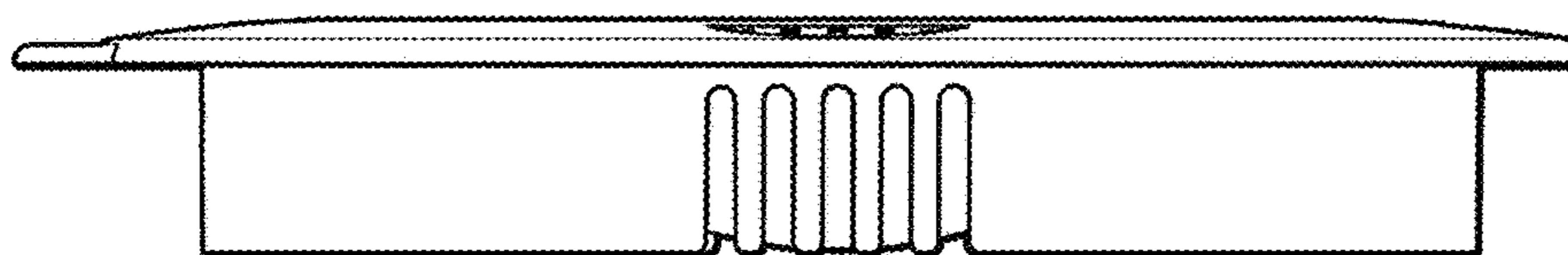
*Fig. 3*



*Fig. 4*

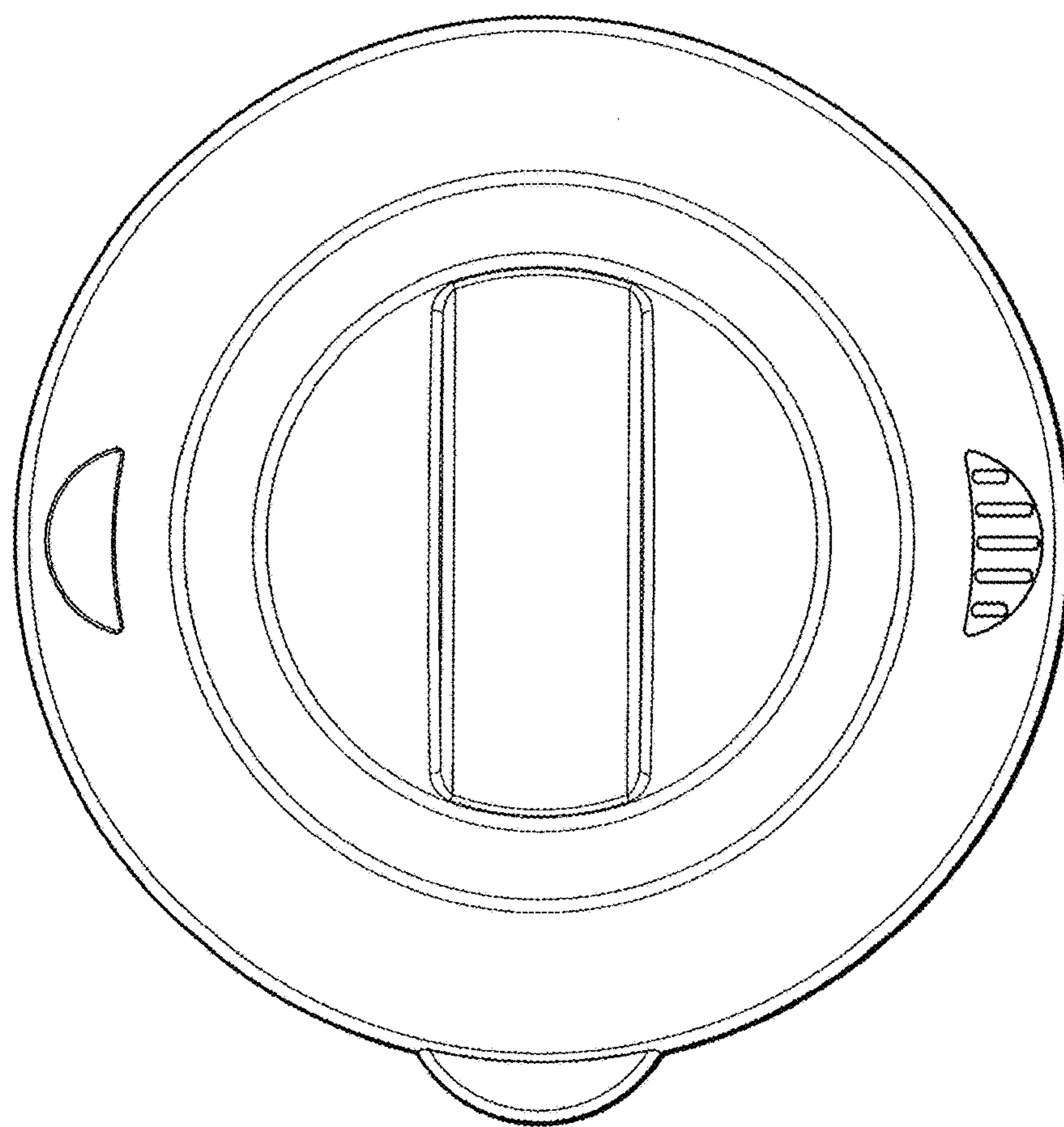


*Fig. 5*

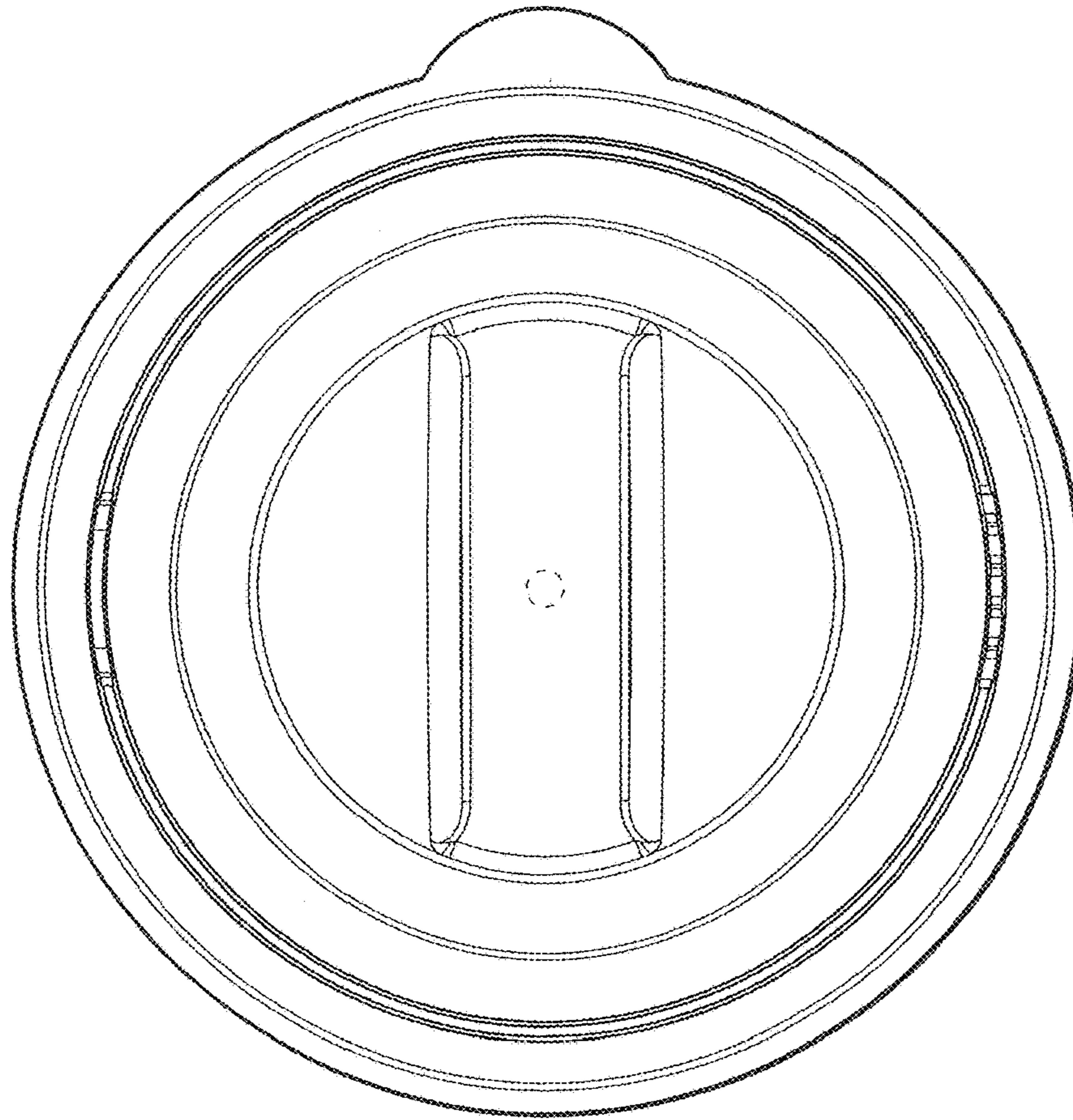


*Fig. 6*





*Fig. 7*



*Fig. 8*