



US00D846342S

(12) **United States Design Patent** (10) **Patent No.:** **US D846,342 S**
Smith (45) **Date of Patent:** **** Apr. 23, 2019**

(54) **FOOD PROCESSOR AND PARTS THEREOF**

(71) Applicant: **SharkNinja Operating LLC**, Newton, MA (US)

(72) Inventor: **Cory Smith**, Auburndale, MA (US)

(73) Assignee: **SHARKNINJA OPERATING LLC**, Needham, MA (US)

(**) Term: **15 Years**

(21) Appl. No.: **29/611,685**

(22) Filed: **Jul. 24, 2017**

(51) **LOC (11) Cl.** **31-00**

(52) **U.S. Cl.**
USPC **D7/384; D7/376; D7/378; D7/412; D7/413**

(58) **Field of Classification Search**
USPC **D7/372, 376-386, 412-413, 602, 629, D7/665-666, 669, 679, 693-694**
(Continued)

(56) **References Cited**

U.S. PATENT DOCUMENTS

D191,152 S * 8/1961 Rawson D7/378
D242,208 S 11/1976 Madl et al.
(Continued)

FOREIGN PATENT DOCUMENTS

EM 001388790002 8/2013
JP S6339330 B2 8/1988
(Continued)

OTHER PUBLICATIONS

Japanese Design No. D1592330 (S); Publication Date: Dec. 4, 2017;
Machine Translation; 14 Pages.
(Continued)

Primary Examiner — Ricky Pham

(74) *Attorney, Agent, or Firm* — Cantor Colburn LLP

(57) **CLAIM**

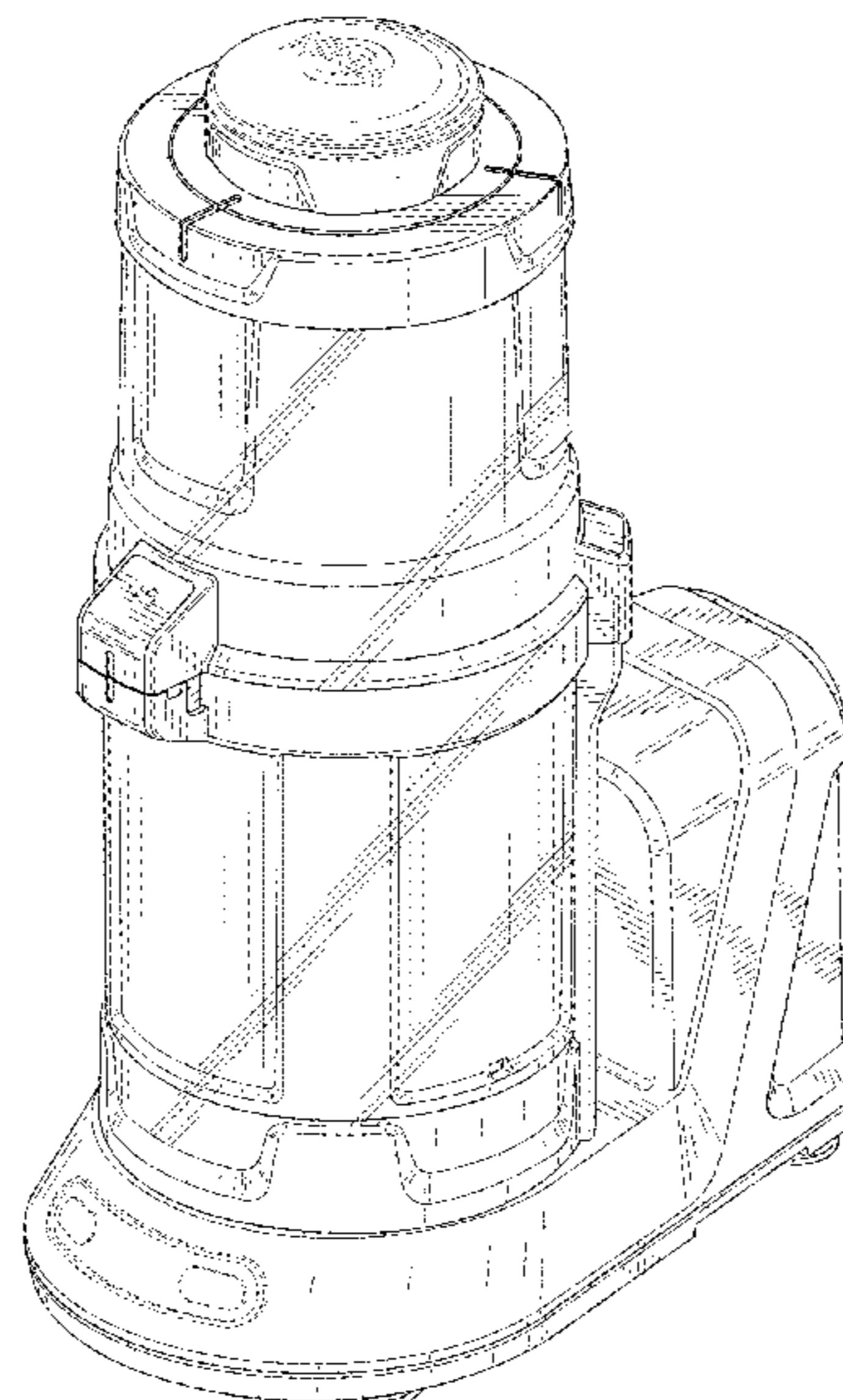
The ornamental design for food processor and parts thereof, as shown and described.

DESCRIPTION

FIG. 1 is a perspective view of a food processor, showing my new design in a first embodiment;
FIG. 2 is a front view of the embodiment shown in FIG. 1;
FIG. 3 is a rear view of the embodiment shown in FIG. 1;
FIG. 4 is a side view of the embodiment shown in FIG. 1;
FIG. 5 is another side view of the embodiment shown in FIG. 1;
FIG. 6 is a top view of the embodiment shown in FIG. 1;
FIG. 7 is a bottom view of the embodiment shown in FIG. 1;
FIG. 8 is a perspective view of a food processor, showing my new design another embodiment;
FIG. 9 is a front view of the embodiment shown in FIG. 8;
FIG. 10 is a rear view of the embodiment shown in FIG. 8;
FIG. 11 is a side view of the embodiment shown in FIG. 8;
FIG. 12 is another side view of the embodiment shown in FIG. 8;
FIG. 13 is a top view of the embodiment shown in FIG. 8;
and,
FIG. 14 is a bottom view of the embodiment shown in FIG. 8.

The broken lines in the figures are for environmental purposes only and form no part of the claimed design.
The oblique line shading represents transparent, translucent or reflective surfaces.

1 Claim, 14 Drawing Sheets



(58) **Field of Classification Search**

CPC A21C 1/02; A21C 1/04; A23N 1/00; A23N 1/02; A47J 43/04; A47J 43/25; A47J 43/27; A47J 43/042; A47J 43/044; A47J 43/046; A47J 43/075; A47J 43/0722; A47J 43/0727; B01F 3/00; B01F 3/0807; B01F 3/0853; B01F 7/162; B01F 13/0059; B01F 13/0064; B02C 1/08; B02C 2/04; B02C 4/42; B02C 4/142; B02C 4/143; B02C 4/423; B02C 13/1835; B28C 5/10; B28C 5/12; B28C 5/14; B28C 5/16

See application file for complete search history.

(56) **References Cited**

U.S. PATENT DOCUMENTS

D256,318 S * 8/1980 Levin D7/384
 D293,195 S * 12/1987 Kim D7/384
 D302,228 S * 7/1989 Barrault D7/384
 D338,803 S * 8/1993 Littmann D7/376
 D367,583 S * 3/1996 Littmann D7/376
 D373,703 S * 9/1996 Frisell D7/384
 D404,606 S 1/1999 Huang
 D404,607 S 1/1999 Huang
 D444,026 S * 6/2001 Chauderge D7/384
 D445,637 S * 7/2001 Feil D7/384
 D450,978 S 11/2001 Smith
 D453,662 S * 2/2002 Hensel D7/384
 D488,344 S 4/2004 Seum et al.
 D502,047 S 2/2005 Ledingham et al.
 D512,265 S 12/2005 McCurrach
 D526,531 S 8/2006 Drees et al.
 D533,395 S 12/2006 Drees et al.
 D551,915 S 10/2007 Chang Chien
 D552,412 S 10/2007 Steiner
 D552,419 S 10/2007 Picozza et al.
 D553,904 S 10/2007 Romandy
 D567,578 S 4/2008 Chiappetta
 D568,096 S 5/2008 Sun
 D577,537 S 9/2008 Lee
 D587,961 S 3/2009 Lavy
 7,581,668 B2 9/2009 Mally
 D605,462 S 12/2009 Picozza et al.
 D611,760 S 3/2010 Ball
 D617,136 S 6/2010 Bock et al.
 D617,145 S 6/2010 Picozza et al.
 D625,141 S 10/2010 Moore
 D637,870 S 5/2011 Bock
 D642,857 S 8/2011 Bodum
 D644,480 S 9/2011 Czach et al.
 D645,301 S 9/2011 Tse
 D647,357 S 10/2011 Audette et al.
 D647,367 S 10/2011 Audette et al.
 D647,368 S 10/2011 Audette et al.
 D650,229 S 12/2011 Hensel et al.
 D654,305 S 2/2012 Gursel et al.
 D655,981 S 3/2012 Gursel et al.
 D658,430 S 5/2012 Hoare et al.
 D660,642 S 5/2012 Boozer et al.
 D667,259 S 9/2012 Lee et al.
 D667,260 S 9/2012 Lee et al.
 D667,261 S 9/2012 Lee et al.
 D668,100 S 10/2012 Palermo et al.
 D674,235 S 1/2013 Lee et al.
 D674,658 S 1/2013 Fouquet
 D677,976 S 3/2013 Palermo et al.
 D690,152 S 9/2013 Palermo et al.
 D694,573 S 12/2013 Norland et al.
 D694,574 S 12/2013 Norland et al.
 D694,582 S 12/2013 Norland
 D694,583 S 12/2013 Norland
 D695,060 S 12/2013 Penaherrera et al.
 D696,063 S 12/2013 Coakley et al.
 D702,078 S 4/2014 Coakley et al.

D704,502 S 5/2014 Coakley et al.
 D708,007 S * 7/2014 Lazzer D7/376
 D711,688 S 8/2014 Prats
 D730,681 S 6/2015 Smith et al.
 D730,682 S 6/2015 Tu
 D730,683 S 6/2015 Tu
 D731,850 S 6/2015 Smith
 D733,488 S 7/2015 Tu
 D745,316 S * 12/2015 Usmar D7/376
 D745,317 S 12/2015 Dichraff et al.
 9,265,381 B2 2/2016 Beber et al.
 D755,003 S 5/2016 Palermo et al.
 D758,126 S * 6/2016 Benoit D7/376
 D761,617 S 7/2016 Dennisur et al.
 D765,462 S 9/2016 Davies
 D765,465 S 9/2016 Du
 D766,649 S 9/2016 Suzuki
 9,439,538 B2 9/2016 Paget
 D771,999 S 11/2016 Kettavong et al.
 D772,011 S 11/2016 Barquin et al.
 D772,650 S 11/2016 Barquin et al.
 D773,247 S 12/2016 Barquin et al.
 D773,248 S 12/2016 Barquin et al.
 D773,249 S 12/2016 Barquin et al.
 D778,665 S 2/2017 Barquin et al.
 D779,265 S 2/2017 Barquin et al.
 D780,507 S 3/2017 Barquin et al.
 D783,340 S 4/2017 Palermo et al.
 D783,355 S 4/2017 Tu
 D786,613 S 5/2017 McConnell et al.
 D786,614 S 5/2017 Smith et al.
 D786,615 S 5/2017 Tsai
 D787,882 S 5/2017 McConnell et al.
 D787,883 S 5/2017 Tu
 D788,520 S 6/2017 Blaise
 D789,735 S 6/2017 Palermo et al.
 D789,736 S 6/2017 Palermo et al.
 9,675,212 B2 6/2017 Hewitt et al.
 D793,153 S 8/2017 Tu
 D794,384 S 8/2017 Lee
 D795,005 S 8/2017 Coakley et al.
 D797,496 S 9/2017 Gee, II et al.
 D797,505 S 9/2017 Tu
 D807,118 S 1/2018 Kettavong et al.
 D808,718 S 1/2018 Coakley
 D808,719 S 1/2018 Coakley
 9,855,535 B2 1/2018 Arnett et al.
 D809,333 S 2/2018 Lee
 D809,334 S 2/2018 Lee
 D809,342 S 2/2018 Coakley
 D811,804 S 3/2018 Smith
 D811,805 S 3/2018 Smith
 D811,806 S 3/2018 Bock
 D812,963 S 3/2018 Smith
 D812,964 S 3/2018 Tu
 D813,603 S 3/2018 Tu
 D821,806 S 7/2018 Coakley et al.
 D823,637 S 7/2018 Coakley
 2008/0089170 A1 4/2008 Larsen et al.
 2008/0089171 A1 4/2008 Larsen et al.
 2008/0219089 A1 9/2008 Sandford et al.
 2009/0129200 A1 5/2009 Breviere et al.
 2010/0246319 A1 9/2010 Pryor, Jr. et al.
 2014/0247686 A1 9/2014 Arnett et al.
 2016/0220071 A1 8/2016 Hewitt et al.
 2016/0331182 A1 11/2016 Golino

FOREIGN PATENT DOCUMENTS

JP D1491536 S 3/2014
 JP D1488258 S 1/2015
 JP D1533047 S 9/2015
 JP D1545614 S 3/2016
 JP D1592330 S 12/2017
 JP D1592331 S 12/2017
 JP D1603847 S 5/2018
 JP D1603848 S 5/2018

(56)

References Cited

FOREIGN PATENT DOCUMENTS

KR 300382339 S 5/2005
 KR 300398683 S 11/2005

OTHER PUBLICATIONS

Japanese Design No. D1592331 (S); Publication Date: Dec. 4, 2017; Machine Translation; 14 Pages.

Notice of Allowance; Japanese Application No. 2017-018724; dated Mar. 9, 2018; 4 Pages.

Notice of Allowance; Japanese Application No. 2017-018725; dated Mar. 9, 2018; 4 Pages.

Notice of Allowance; Japanese Application No. 2017-019764; dated Mar. 9, 2018; 4 Pages.

Notice of Allowance; Japanese Application No. 2017-019765; dated Mar. 9, 2018; 4 Pages.

WMF Wurttembergische Metallwarenfabrik; 61 3024 5401; JPO Publicly Known Design No. HJ26034868; Listed in Notice of Allowance Received in JP Appln. No. 2017-019764, dated Mar. 9, 2018; 3 Pages.

Notice of Completion of Formalities for Patent Register and Notice of Grant of Design Patent Right; Chinese Application No. 2017300521056; dated Aug. 29, 2017; 5 Pages.

Notice of Decision for Design Registration; Korean Design Application No. 30-2017-0009475; dated Aug. 18, 2017; 6 Pages.

Notice of Decision for Design Registration; Korean Design Application No. 30-2017-0009476; dated Sep. 11, 2017; 6 Pages.

Notice of Decision for Design Registration; Korean Design Application No. 30-2017-0009477; dated Aug. 18, 2017; 6 Pages.

Notice of Decision for Design Registration; Korean Design Application No. 30-2017-0009479; dated Aug. 22, 2017; 6 Pages.

Notice of Decision for Design Registration; Korean Design Application No. 30-2017-0009482; dated Aug. 22, 2017; 6 Pages.

Notice of Decision for Design Registration; Korean Design Application No. 30-2017-0009483; dated Aug. 18, 2017; 6 Pages.

Notice of Decision for Design Registration; Korean Design Application No. 30-2017-0009486; dated Aug. 22, 2017; 6 Pages.

Notice of Decision for Design Registration; Korean Design Application No. 30-2017-0009488; dated Aug. 22, 2017; 6 Pages.

Notice of Preliminary Rejection; Korean Application No. 30-2017-0009484; dated Aug. 18, 2017; 7 Pages.

Notice of Preliminary Rejection; Korean Application No. 30-2017-0009485; dated Aug. 18, 2017; 6 Pages.

Application for Registration of an Industrial Design Examiner's Report; Canadian Application No. 172856; dated Sep. 20, 2017; 2 Pages.

Application for Registration of an Industrial Design Examiner's Report; Canadian Application No. 172857; dated Sep. 20, 2017; 2 Pages.

Japanese Design No. D1545614 (S); Publication Date: Mar. 14, 2016; Machine Translation; 6 Pages.

Notice of Allowance; Japanese Application No. 2017-003904; dated Oct. 6, 2017; 4 Pages.

Notice of Allowance; Japanese Application No. 2017-003905; dated Oct. 6, 2017; 4 Pages.

Notice of Allowance; U.S. Appl. No. 29/576,018, filed Oct. 31, 2016; Food Processor and Parts Thereof; dated Oct. 25, 2017; 27 Pages.

Notice of Allowance; U.S. Appl. No. 29/576,020, filed Oct. 31, 2016; Food Processor and Parts Thereof; dated Oct. 16, 2017; 32 Pages.

Requirement for Restriction/Election; Blender; U.S. Appl. No. 29/600,129, filed Apr. 10, 2017; dated Oct. 10, 2017; 30 Pages.

Requirement for Restriction/Election; Blender; U.S. Appl. No. 29/604,189; dated May 16, 2017; dated Oct. 10, 2017; 33 Pages.

Notice of Allowance; U.S. Appl. No. 29/600,126; filed Apr. 10, 2017; Blender; dated Nov. 15, 2017; 21 Pages.

Notice of Decision for Design Registration; Korean Application No. 30-2017-0009484; dated Nov. 5, 2017; 6 Pages.

Notice of Decision for Design Registration; Korean Application No. 30-2017-0009485; dated Nov. 5, 2017; 6 Pages.

Notice of Allowance; U.S. Appl. No. 29/576,021; filed Aug. 31, 2016; Food Processor and Parts Thereof; dated Nov. 15, 2017; 34 Pages.

Application for Registration of an Industrial Design Examiner's Report; Canadian Application No. 172856; dated May 31, 2017; 3 Pages.

Application for Registration of an Industrial Design Examiner's Report; Canadian Application No. 172857; dated May 31, 2017; 3 Pages.

Design No. 28449; Soviet Design Gazette; vol. 3; Published: Sep. 15, 1990; pp. 180-181.

Japanese Design No. D1491535 (S); Publication Date: Mar. 3, 2014; Machine Translation; 9 Pages.

Japanese Design No. D1491536 (S); Publication Date: Mar. 3, 2014; Machine Translation; 9 Pages.

Japanese Design No. D1518840 (S); Publication Date: Mar. 9, 2015; Machine Translation; 10 Pages.

Japanese Design No. D1523840 (S); Publication Date: May 18, 2015; Machine Translation; 9 Pages.

Japanese Design No. D1528172 (S); Publication Date: Jul. 6, 2015; Machine Translation; 9 Pages.

Japanese Design No. D1533047 (S); Publication Date: Sep. 7, 2015; Machine Translation; 9 Pages.

Notice of Allowance; Blender Base; U.S. Appl. No. 29/531,840, filed Jun. 30, 2015; dated Oct. 4, 2016; 7 Pages.

Notice of Allowance; Blender Base; U.S. Appl. No. 29/531,840, filed Jun. 30, 2015 dated Nov. 25, 2016; 11 Pages.

Notice of Allowance; Blender Base; U.S. Appl. No. 29/531,840, filed Jun. 30, 2015; dated Feb. 16, 2017; 11 Pages.

Notice of Allowance; Blender; U.S. Appl. No. 29/519,682, filed Mar. 6, 2015 dated Aug. 12, 2016; 6 Pages.

Notice of Allowance; Blender; U.S. Appl. No. 29/519,682, filed Mar. 6, 2015; dated Sep. 23, 2016; 12 Pages.

Notice of Allowance; Blender; U.S. Appl. No. 29/527,670, filed May 21, 2015; dated Aug. 9, 2016; 7 Pages.

Notice of Allowance; Blender; U.S. Appl. No. 29/527,670, filed May 21, 2015; dated Sep. 27, 2016; 12 Pages.

Notice of Allowance; U.S. Appl. No. 29/519,682, filed Mar. 6, 2015; Blender; dated Jan. 9, 2017; 11 Pages.

Notice of Allowance; U.S. Appl. No. 29/527,670, filed May 21, 2015; Blender; dated Jan. 9, 2017; 11 Pages.

Notice of Completion of Formalities for Patent Register and Notice of Grant of Design Patent Right; Chinese Application No. 2017300502943; dated Jun. 19, 2017; 5 Pages.

Notice of Completion of Formalities for Patent Register and Notice of Grant of Design Patent Right; Chinese Application No. 2017300505640; dated Jul. 11, 2017; 5 Pages.

Notice of Completion of Formalities for Patent Register and Notice of Grant of Design Patent Right; Chinese Application No. 201730050566X; dated Jul. 10, 2017; 5 Pages.

Notice of Completion of Formalities for Patent Register and Notice of Grant of Design Patent Right; Chinese Application No. 201730052179X; dated Aug. 2, 2017; 5 Pages.

Notice of Completion of Formalities for Patent Register and Notice of Grant of Design Patent Right; Chinese Application No. 2017300523386; dated Jun. 6, 2017; 5 Pages.

Notice of Completion of Formalities for Patent Register and Notice of Grant of Design Patent Right; Chinese Application No. 2017300541897; dated Jul. 18, 2017; 5 Pages.

Notice of Completion of Formalities for Patent Register and Notice of Grant of Design Patent Right; Chinese Application No. 2017300544679; dated Jul. 6, 2017; 5 Pages.

Notice of Completion of Formalities for Patent Register and Notice of Grant of Design Patent Right; Chinese Application No. 2017300546640; dated Jun. 21, 2017; 5 Pages.

Notice of References; Japanese Design Application No. 2015-19809; dated Jan. 8, 2016; 2 Pages.

Notice of References; Japanese Design Application No. 2015-19810; dated Jan. 28, 2016; 2 Pages.

Notice of References; Japanese Design Application No. 2015-19811; dated Jan. 8, 2016; 2 Pages.

(56)

References Cited

OTHER PUBLICATIONS

Notice of References; Japanese Design Application No. 2015-19812; dated Jan. 8, 2016; 2 Pages.

Notice of References; Japanese Design Application No. 2015-19813; dated Jan. 8, 2016; 2 Pages.

Notice of References; Japanese Design Application No. 2015-19814; dated Jan. 8, 2016; 2 Pages.

Notice of References; Japanese Design Application No. 2015-19815; dated Jan. 8, 2016; 2 Pages.

Notice of References; Japanese Design Application No. 2015-19816; dated Jan. 8, 2016; 2 Pages.

Notice of References; Japanese Design Application No. 2015-19817; dated Jan. 8, 2016; 2 Pages.

Notification of Reasons for Rejection; Japanese Design Application No. 2017-003904; dated Jun. 9, 2017; 3 Pages.

Notification of Reasons for Rejection; Japanese Design Application No. 2017-003905; dated Jun. 9, 2017; 3 Pages.

Requirement for Restriction/Election; Blender; U.S. Appl. No. 29/519,682, filed Mar. 6, 2015; 6 Pages.

Requirement for Restriction/Election; Blender; U.S. Appl. No. 29/527,670, filed May 21, 2015; 6 Pages.

Requirement for Restriction/Election; Blender; U.S. Appl. No. 29/531,840, filed Jun. 30, 2015; 7 Pages.

Requirement for Restriction/Election; U.S. Appl. No. 29/576,018, filed Aug. 31, 2016; Food Processor and Parts Thereof; dated Jul. 6, 2017; 7 Pages.

Requirement for Restriction/Election; U.S. Appl. No. 29/576,020, filed Aug. 31, 2016; Food Processor and Parts Thereof; dated Jul. 5, 2017; 7 Pages.

Requirement for Restriction/Election; U.S. Appl. No. 29/576,021, filed Aug. 31, 2016; Food Processor and Parts Thereof; dated Jul. 6, 2017; 7 Pages.

Walmart; "Oster 600-Watt Fusion Blender, BRLY07-B00-000"; URL: <http://www.walmart.com/ip/Oster-600-Watt-Fusion-Blender/9604653>; URL Accessed: Jul. 29, 2016; 8 Pages.

Application for Registration of an Industrial Design Examiner's Report; Canadian Application No. 176806; dated Oct. 3, 2017; 2 Pages.

Application for Registration of an Industrial Design Examiners Report; Canadian Application No. 176809; dated Oct. 30, 2017; 2 Pages.

Examination Report; Community Design(s) Registration No(s). 004676815-0001 through 004676815-0008; dated Jan. 29, 2018; 2 Pages.

Examination Report; Community Design(s) Registration No(s). 004676864-0001 through 004676864-0008; dated Jan. 29, 2018; 2 Pages.

Formalities Notice No. 1—Requirements for Registration Not Met; Australian Design Application No. 201810355; dated Feb. 15, 2018; 3 Pages.

Formalities Notice No. 1—Requirements for Registration Not Met; Australian Design Application No. 201810356; dated Feb. 15, 2018; 3 Pages.

Formalities Notice No. 1—Requirements for Registration Not Met; Australian Design Application No. 201810357; dated Feb. 15, 2018; 3 Pages.

JP Notice of Allowance with English Translation; Japanese Design Application No. 2018-1279; dated Sep. 28, 2018; pp. 1-6.

JP Notice of Allowance with English Translation; Japanese Design Application No. 2018-1280; dated Sep. 28, 2018; pp. 1-6.

JP Notice of Allowance with English Translation; Japanese Design Application No. 2018-1281; dated Sep. 28, 2018; pp. 1-6.

JP Notice of Allowance with English Translation; Japanese Design Application No. 2018-1282; dated Sep. 28, 2018; pp. 1-6.

JP Notice of Allowance with English Translation; Japanese Design Application No. 2018-1284; dated Sep. 28, 2018; pp. 1-6.

JP Notice of Allowance with English Translation; Japanese Design Application No. 2018-1285; dated Sep. 28, 2018; pp. 1-6.

JP Notice of Allowance with English Translation; Japanese Design Application No. 2018-1286; dated Sep. 28, 2018; pp. 1-6.

JP Notice of Allowance with English Translation; Japanese Design Application No. 2018-1287; dated Sep. 28, 2018; pp. 1-6.

JP Notice of Allowance with English Translation; Japanese Design Application No. 2018-1289; dated Sep. 28, 2018; pp. 1-6.

JP Notice of Allowance with English Translation; Japanese Design Application No. 2018-1292; dated Sep. 28, 2018; pp. 1-6.

JP Notice of Allowance with English Translation; Japanese Design Application No. 2018-1293; dated Sep. 28, 2018; pp. 1-6.

JP Notice of Allowance with English Translation; Japanese Design Application No. 2018-1295; dated Sep. 28, 2018; pp. 1-6.

JP Notice of Allowance with English Translation; Japanese Design Application No. 2018-1296; dated Sep. 28, 2018; pp. 1-6.

JP Notice of Allowance with English Translation; Japanese Design Application No. 2018-1297; dated Sep. 28, 2018; pp. 1-6.

JP Notice of Allowance with English Translation; Japanese Design Application No. 2018-1298; dated Sep. 28, 2018; pp. 1-6.

JP Notice of Allowance with English Translation; Japanese Design Application No. 2018-6518; dated Sep. 28, 2018; pp. 1-6.

Notice of Allowance; Food Processor and Parts Thereof; U.S. Appl. No. 29/611,681, filed Jul. 24, 2017; dated Sep. 21, 2018; 1-56 Pages.

Requirement for Restriction/Election; Blender Base; U.S. Appl. No. 29/653,896, filed Jun. 19, 2018; 1-31 Pages.

Requirement for Restriction/Election; Food Processor and Parts Thereof; U.S. Appl. No. 29/611,684, filed Jul. 24, 2017; 1-50 Pages.

Requirement for Restriction/Election; Food Processor and Parts Thereof; U.S. Appl. No. 29/633,798, filed Jan. 6, 2018; 1-20 Pages.

Requirement for Restriction/Election; Food Processor and Parts Thereof; U.S. Appl. No. 29/634,264, filed Jan. 19, 2018; 1-20 Pages.

Requirement for Restriction/Election; Food Processor and Parts Thereof; U.S. Appl. No. 29/637,154; filed Feb. 14, 2018; 1-21 Pages.

* cited by examiner

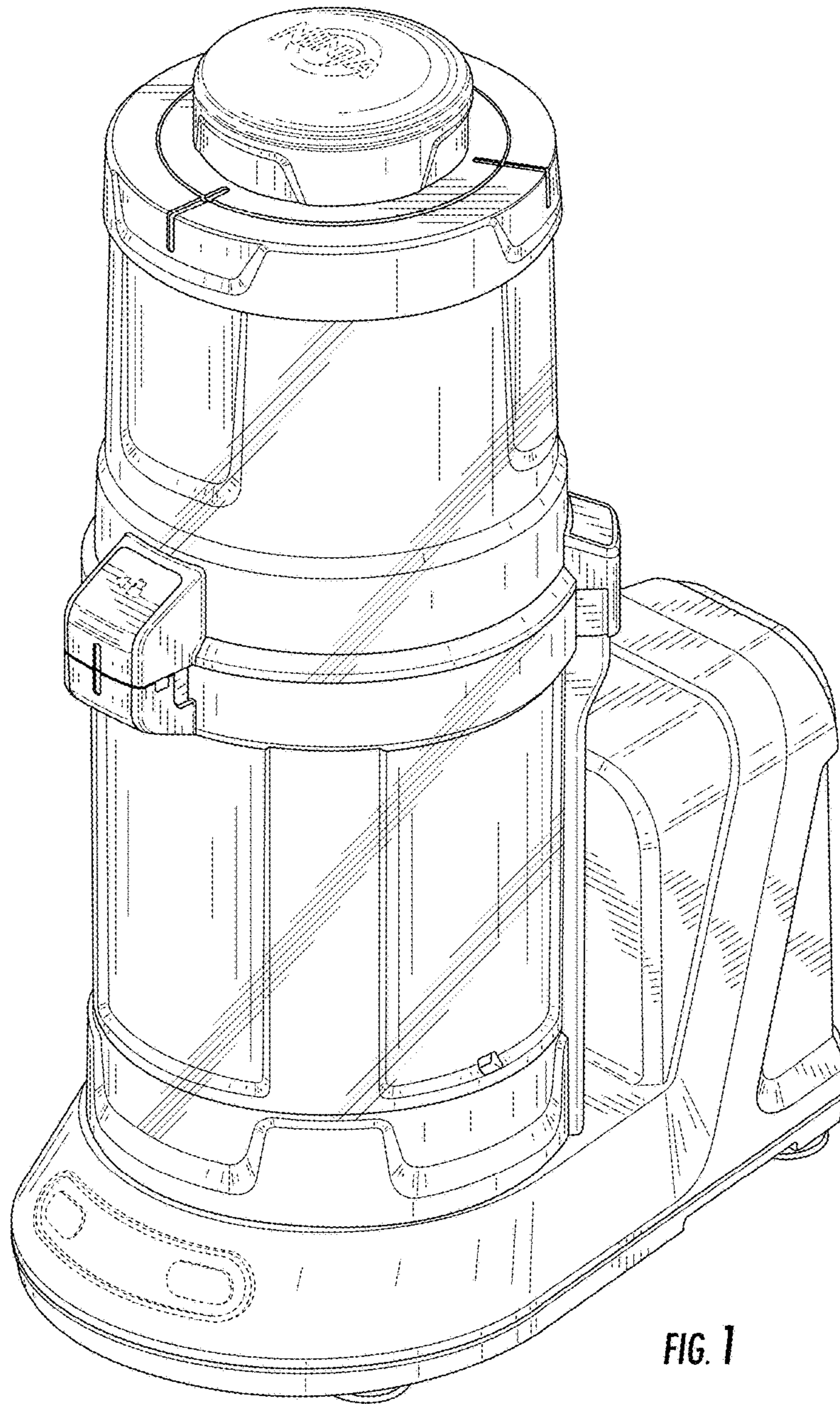


FIG. 1

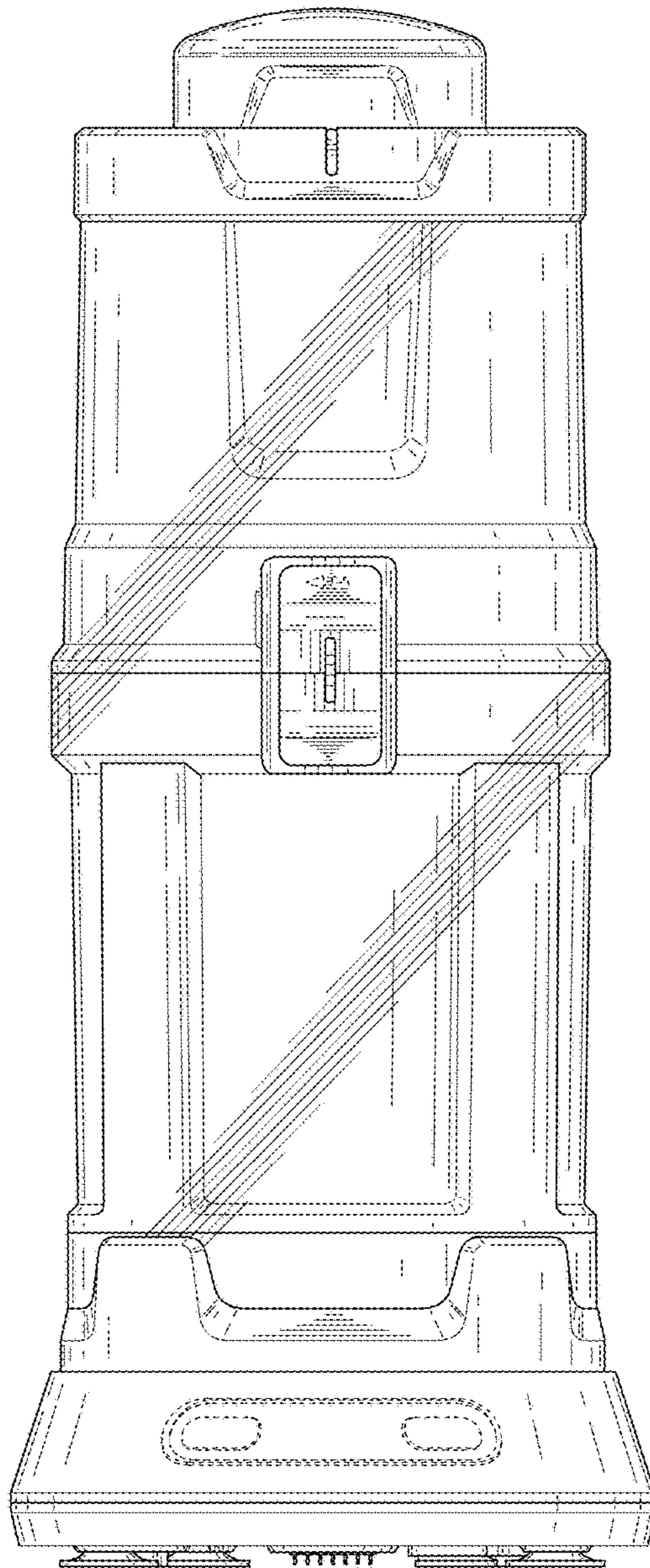


FIG. 2

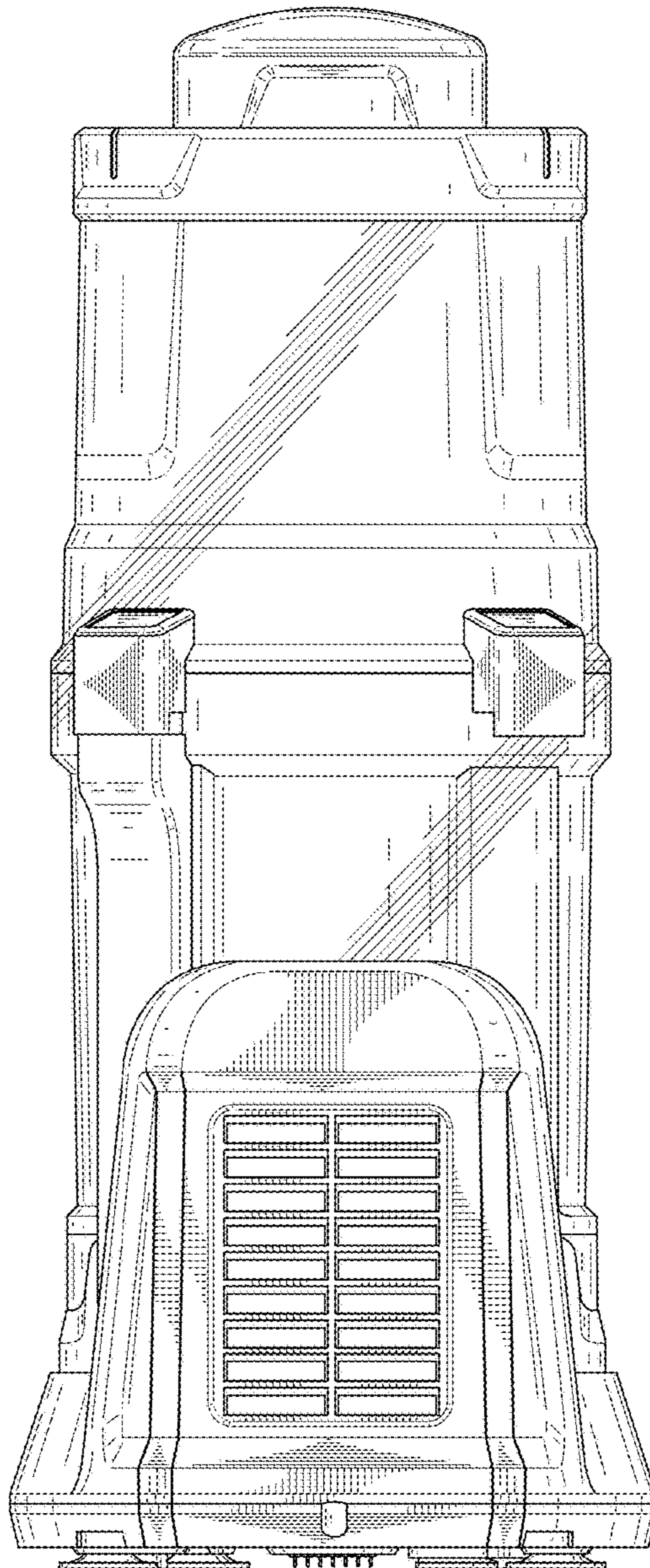


FIG. 3

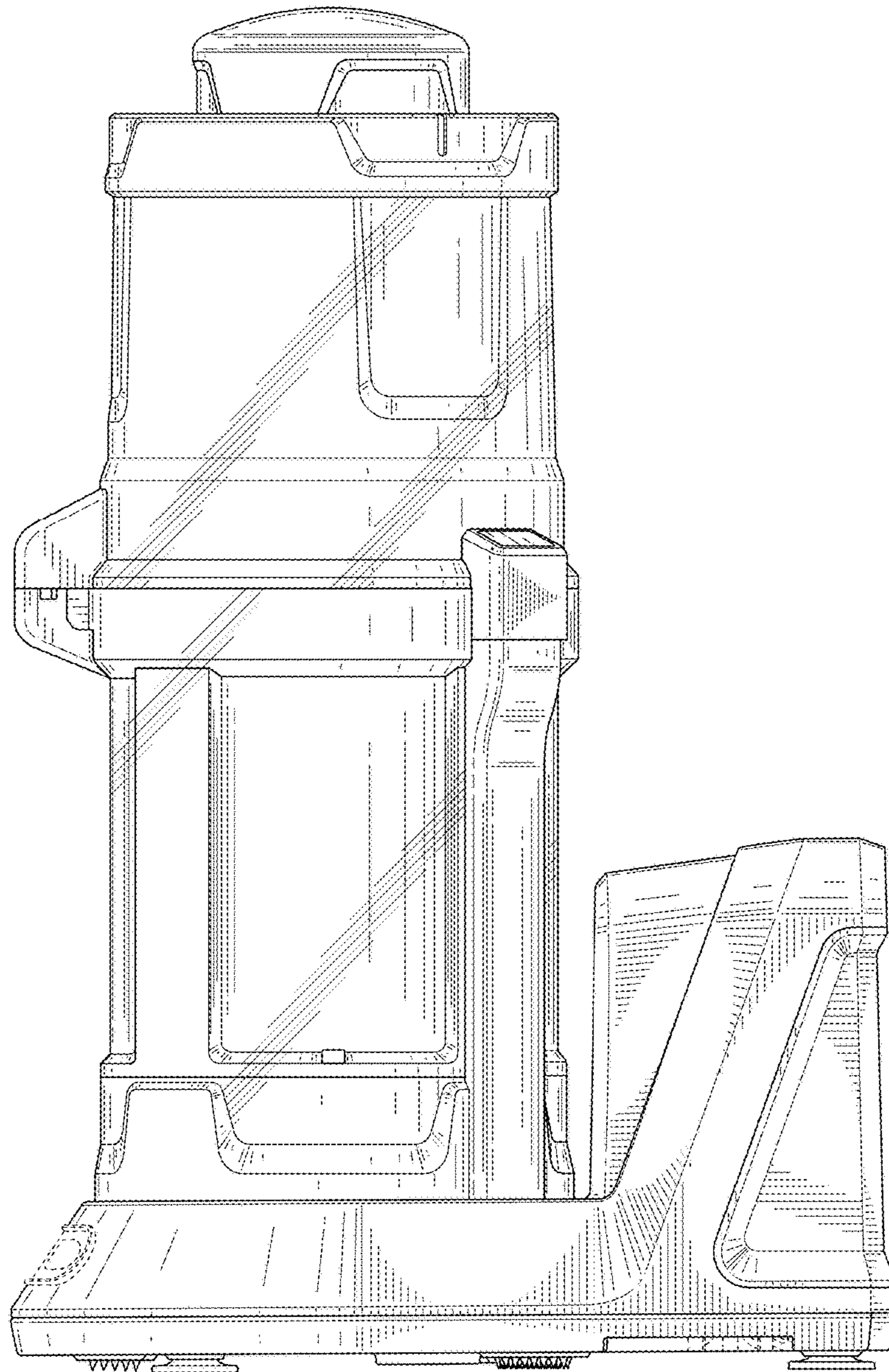


FIG. 4

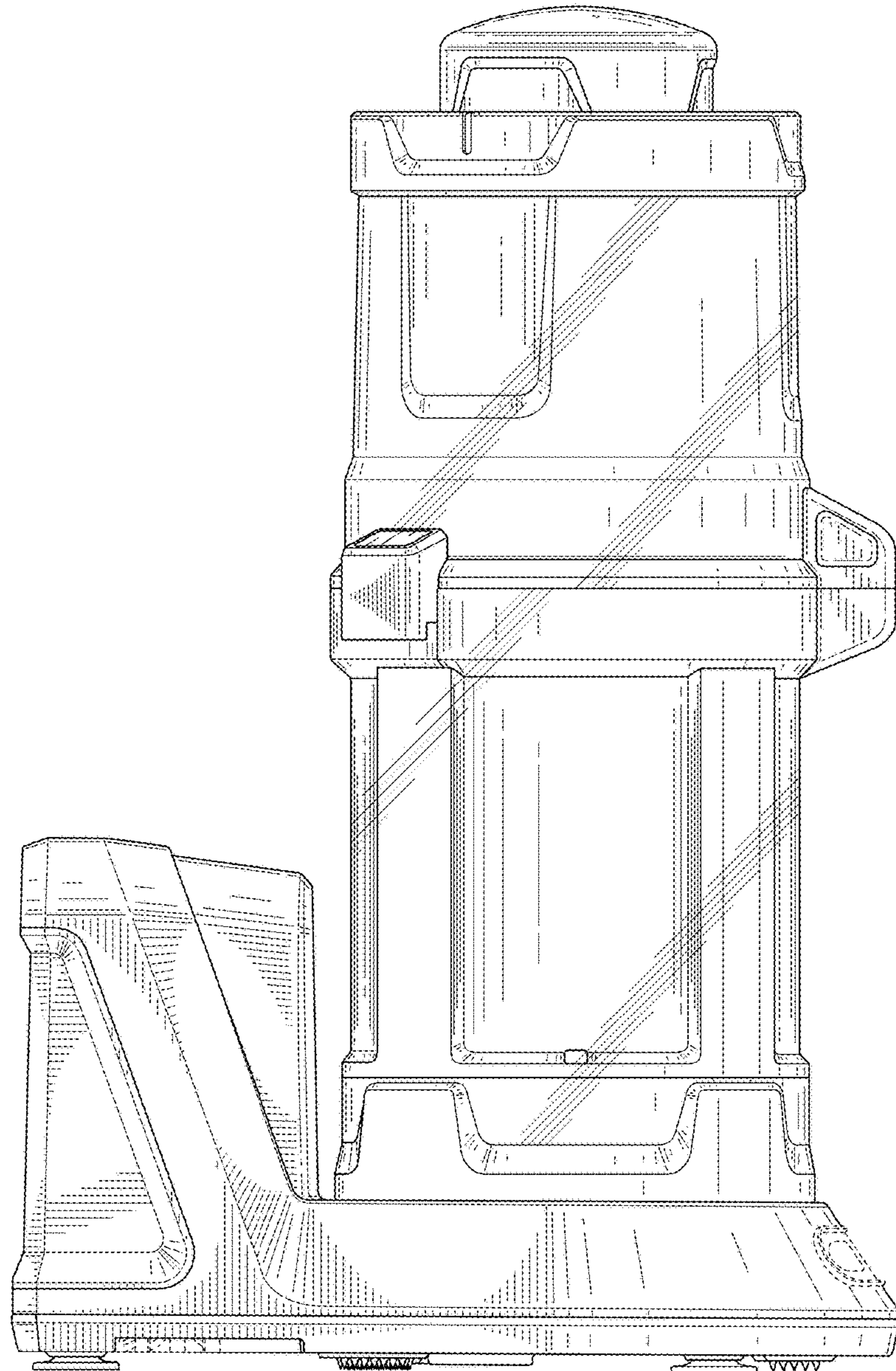


FIG. 5

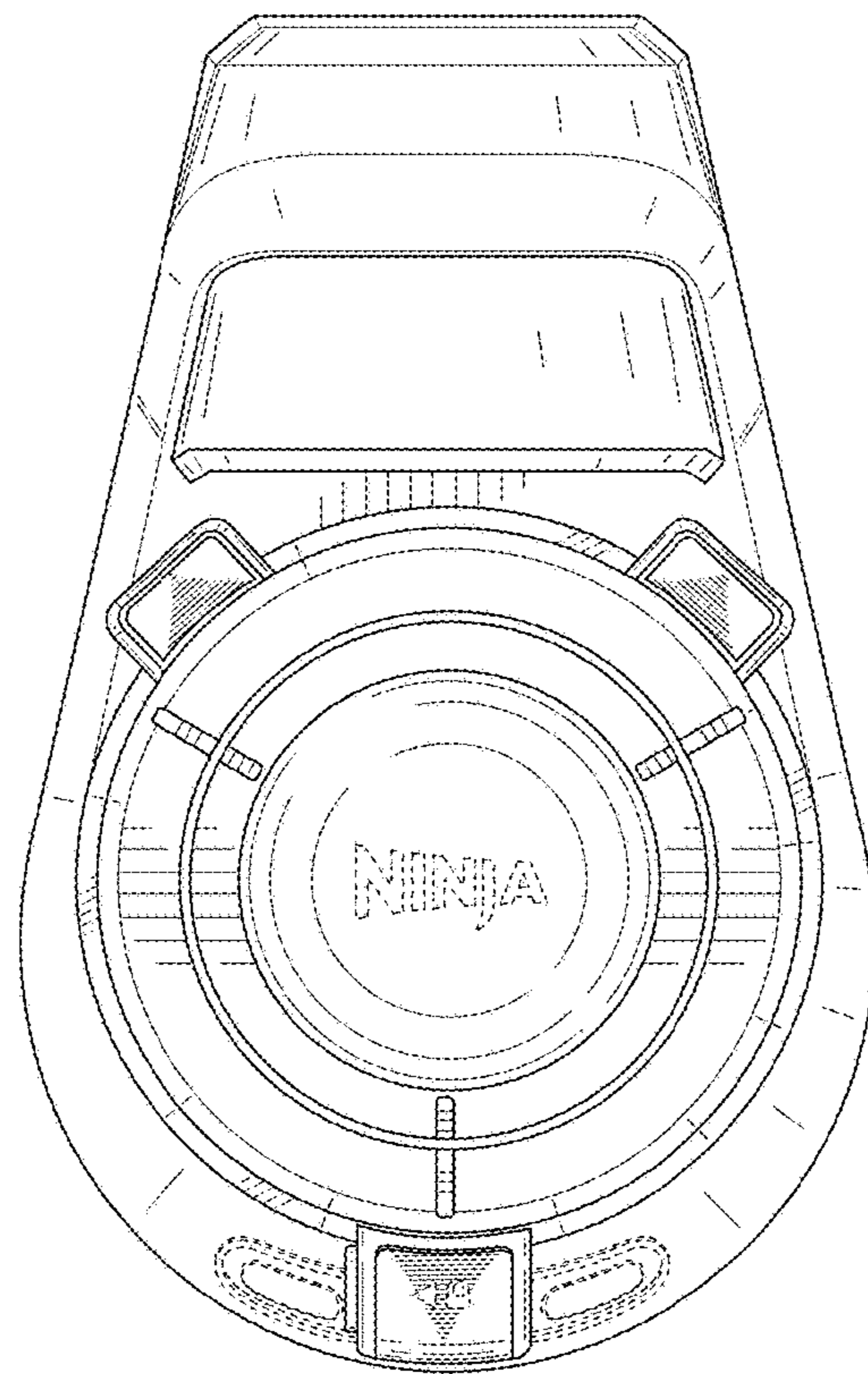


FIG. 6

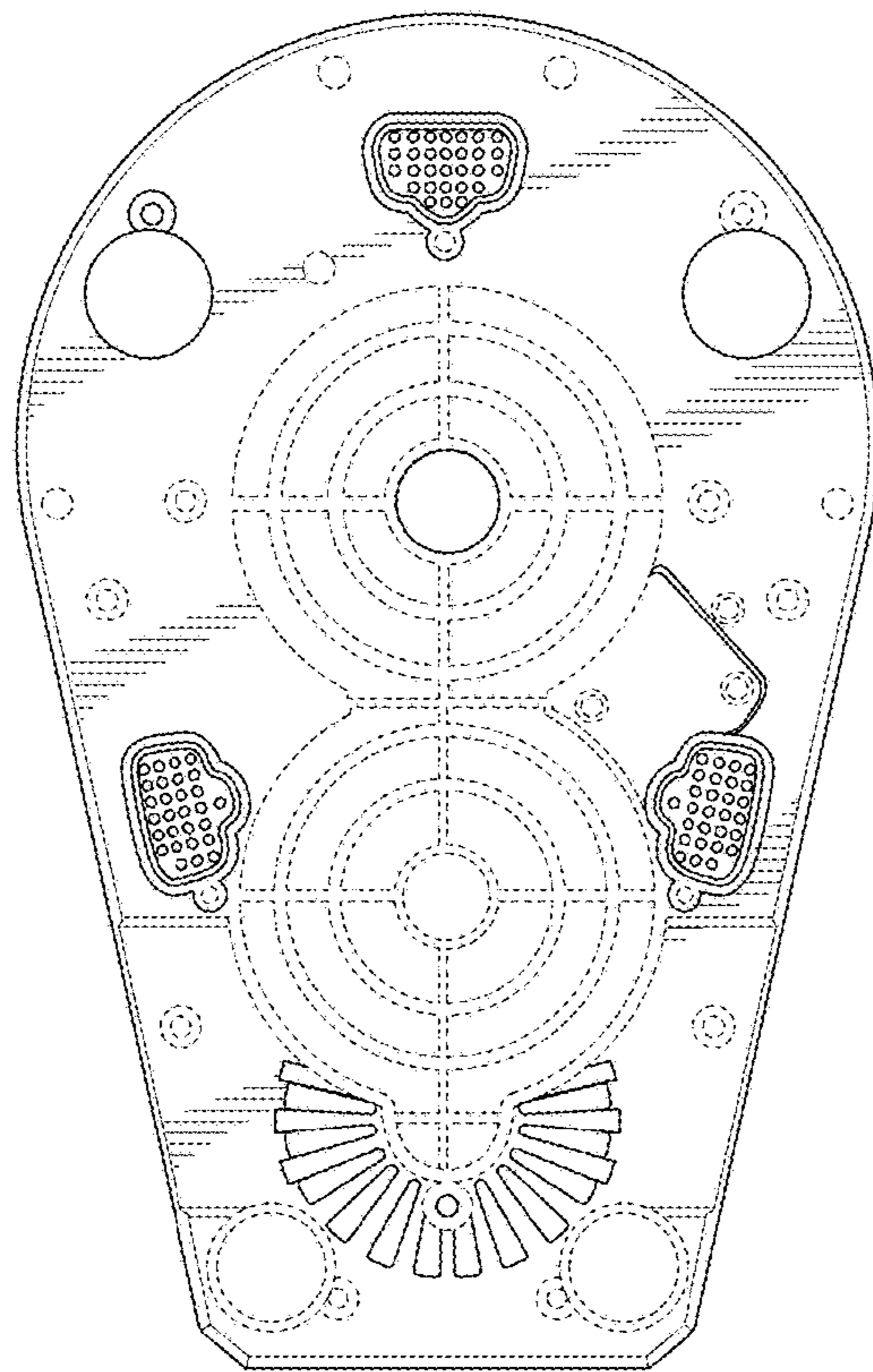


FIG. 7

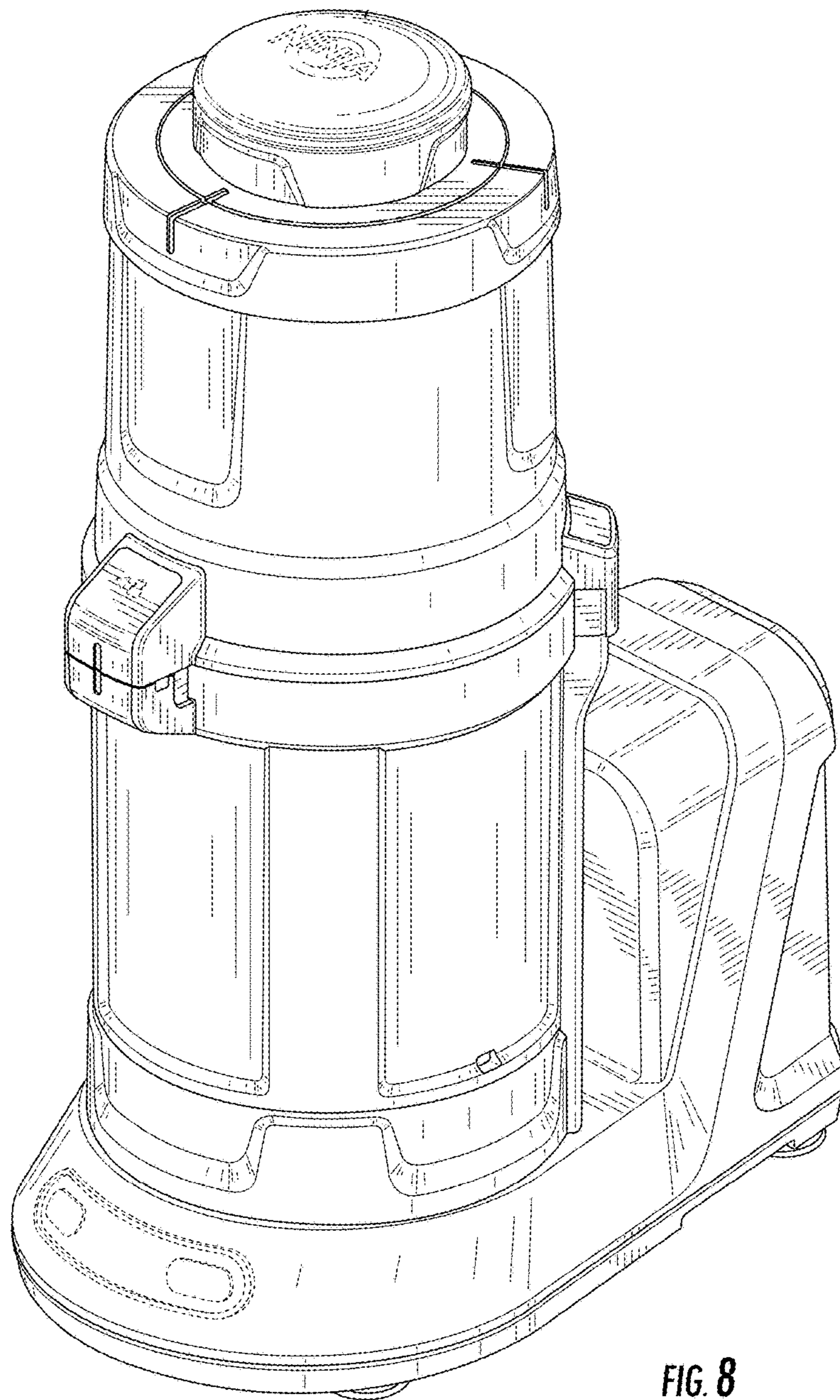


FIG. 8

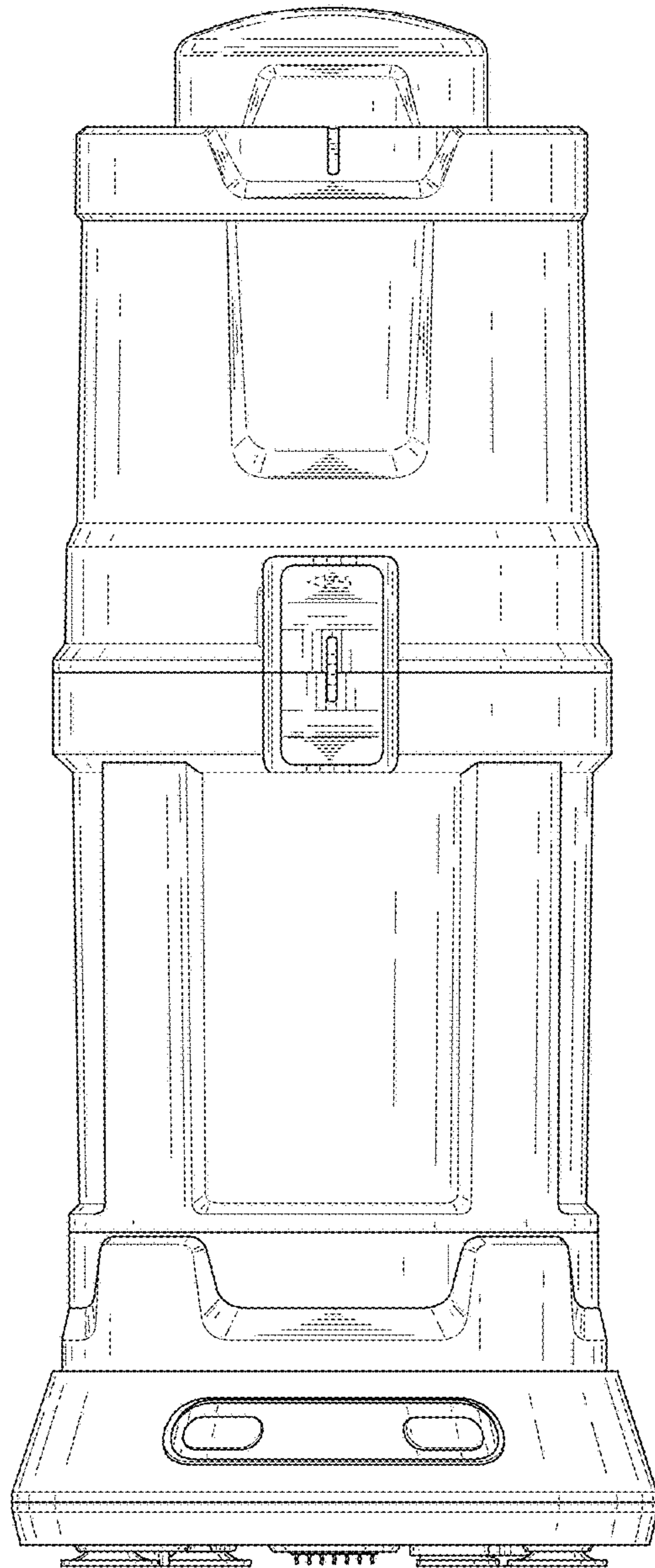


FIG. 9

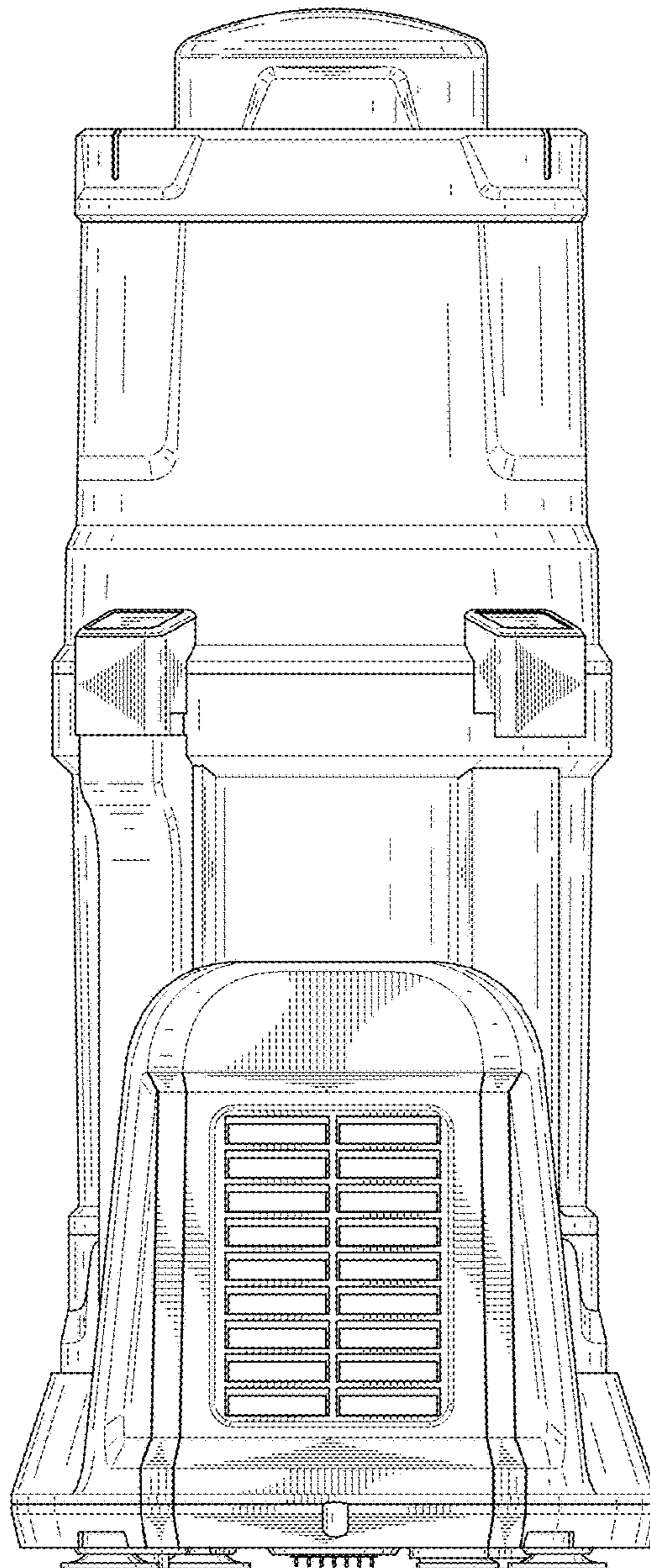


FIG. 10

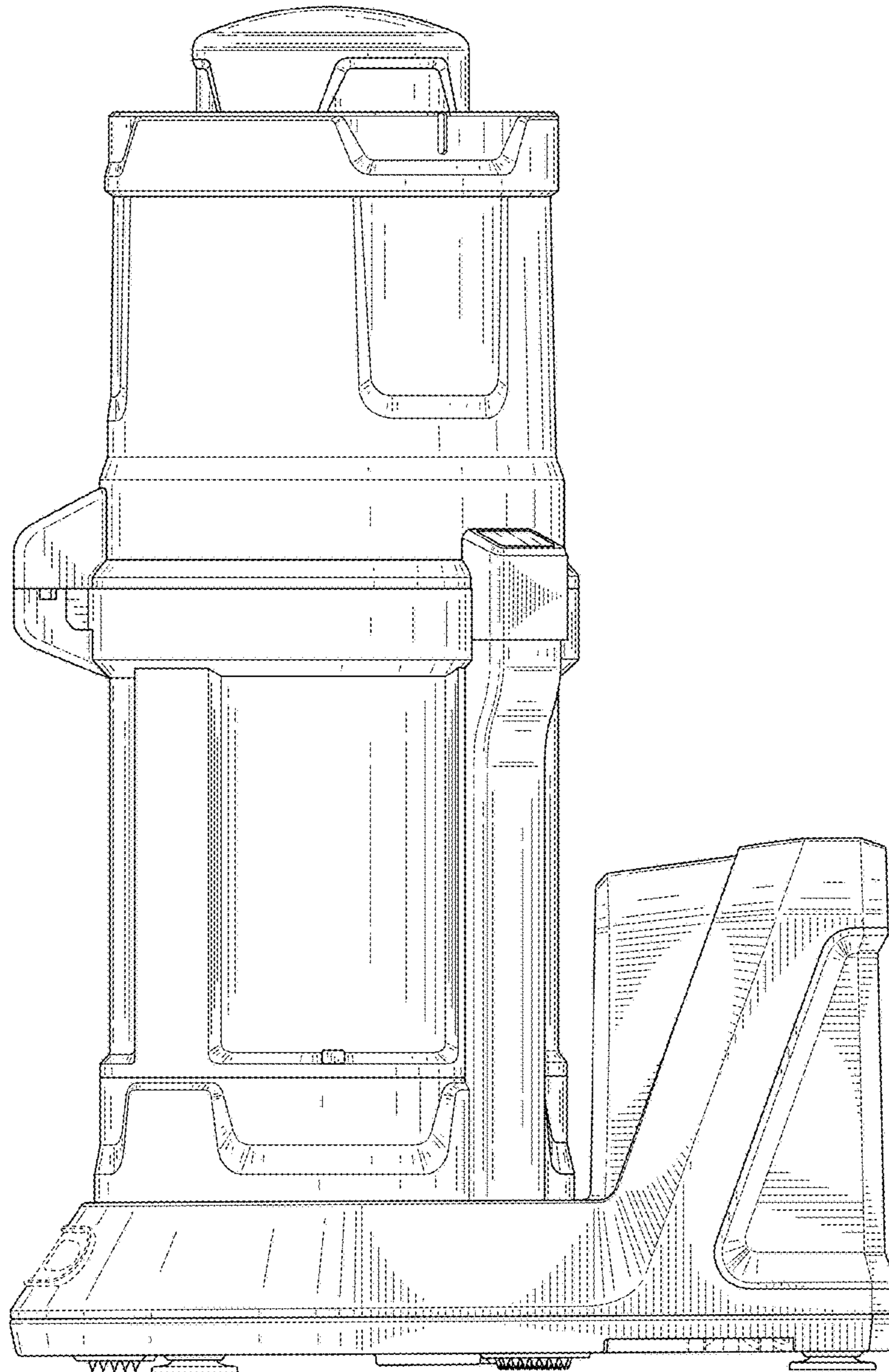


FIG. 11

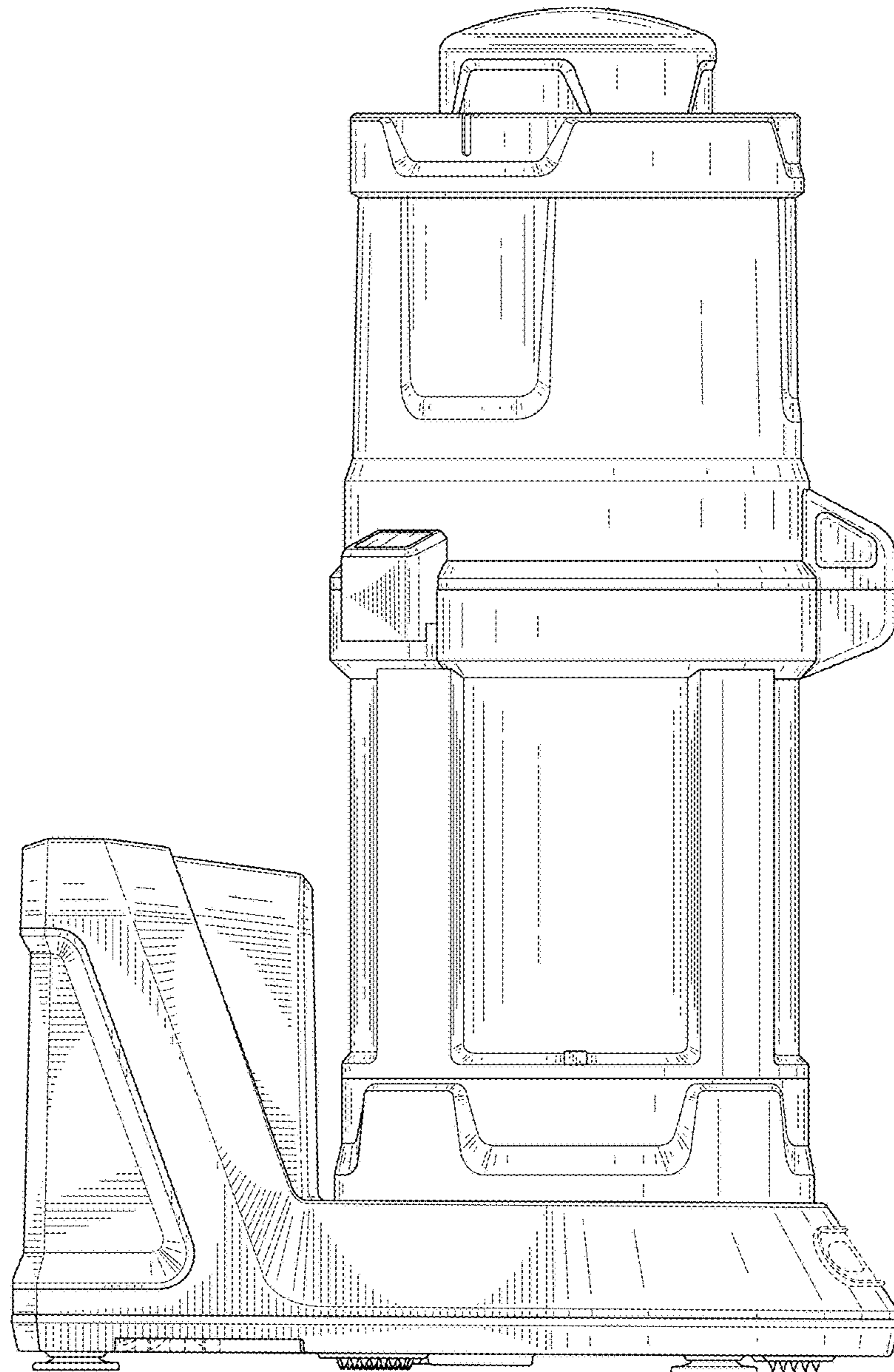


FIG. 12

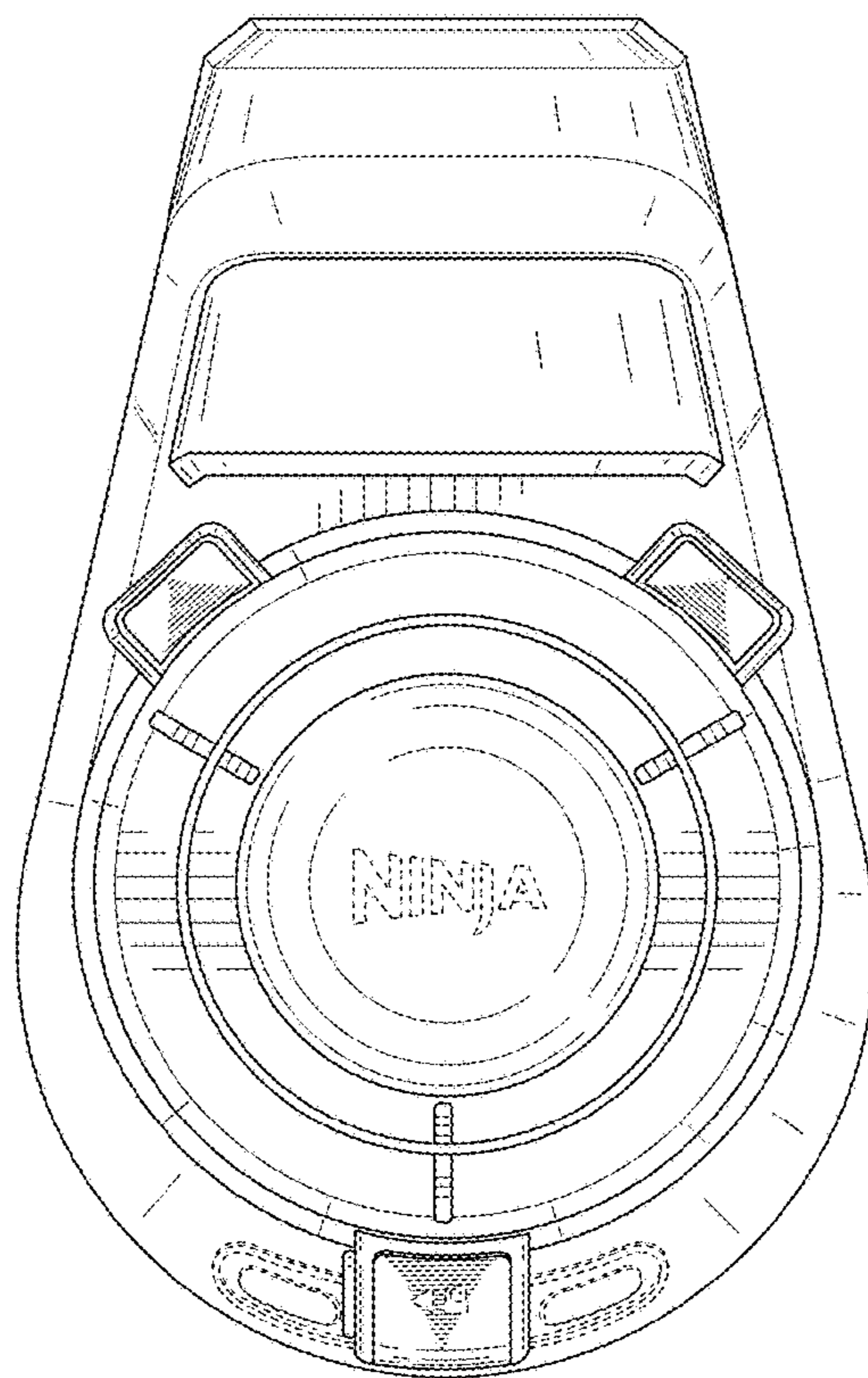


FIG. 13

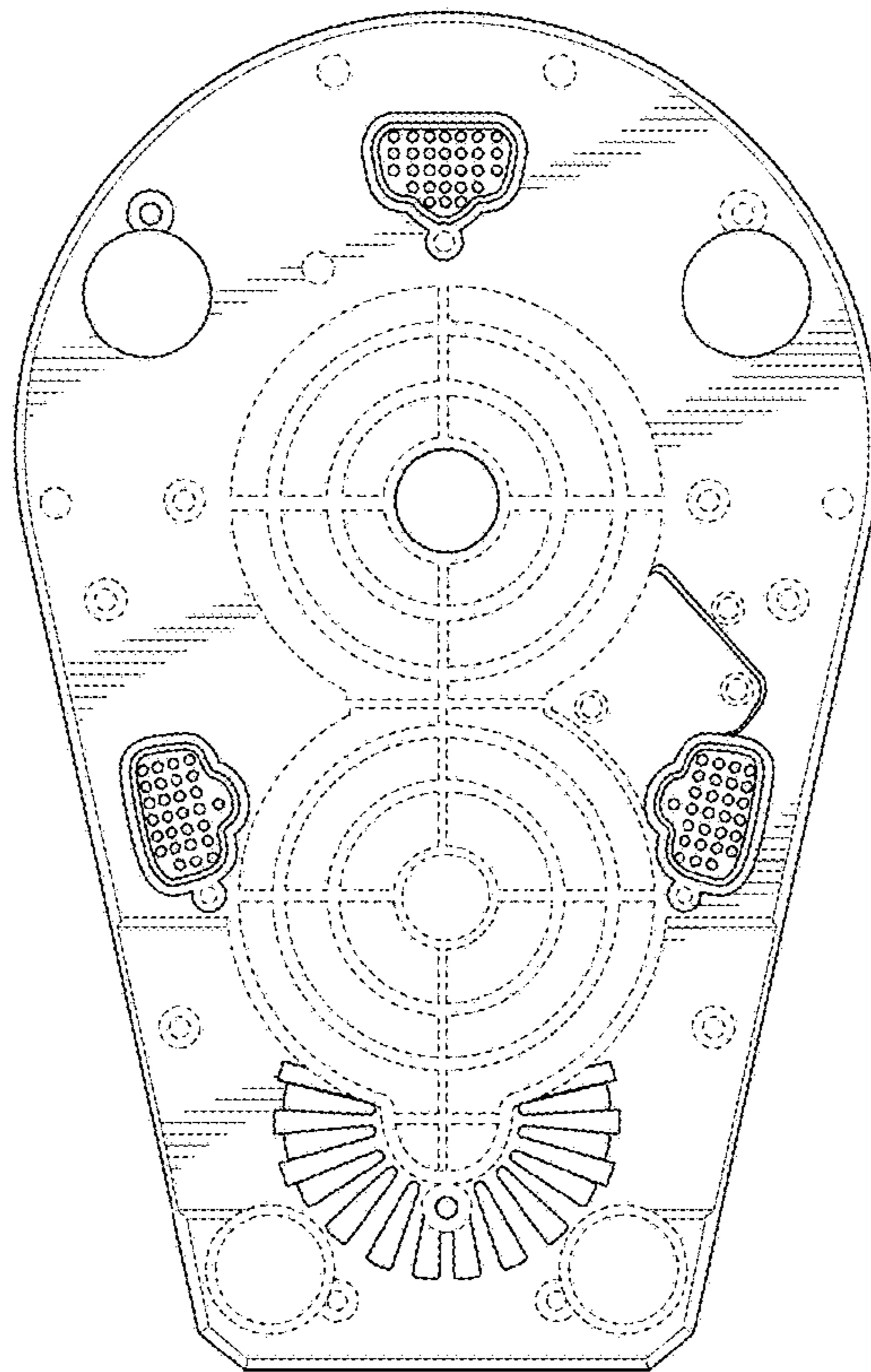


FIG. 14